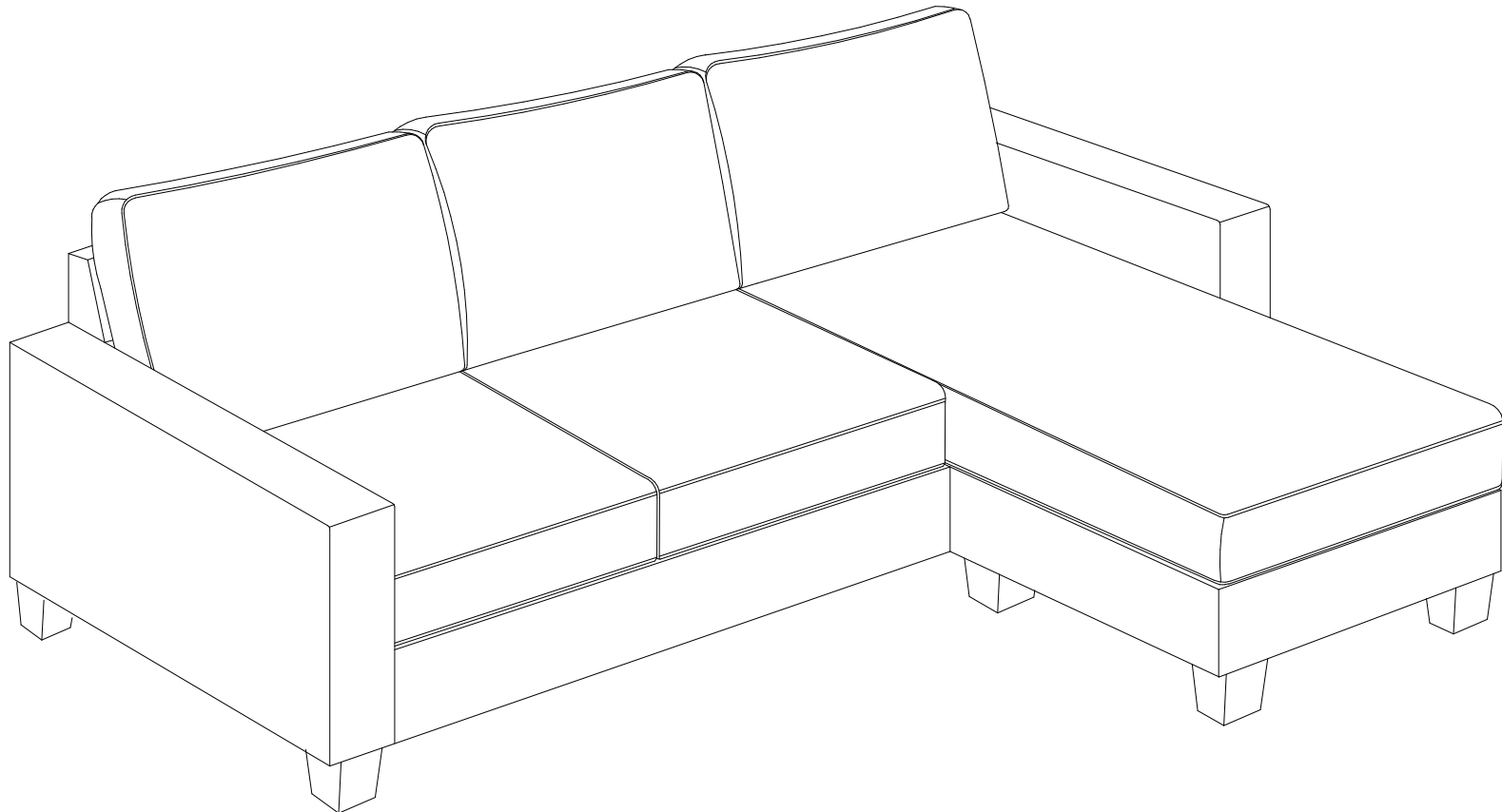
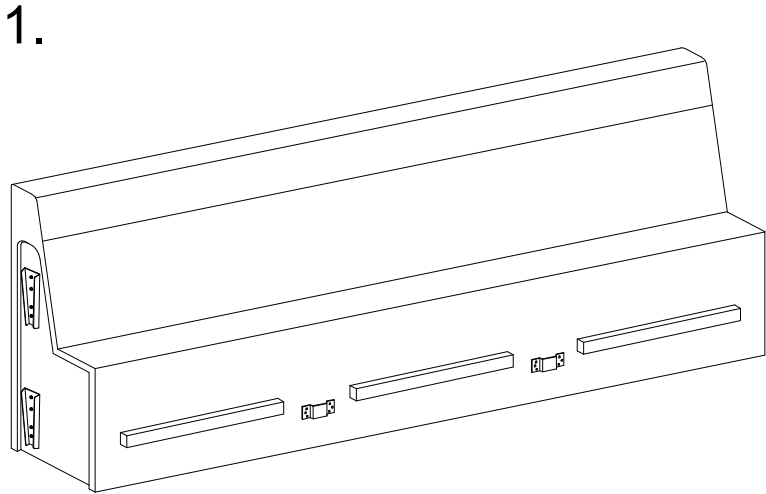


Attention:  
Two people are required for assembly and lifting unit.

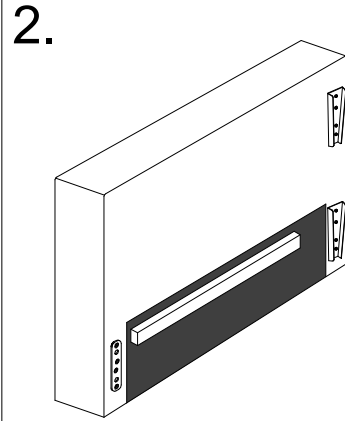
# ASSEMBLY INSTRUCTION



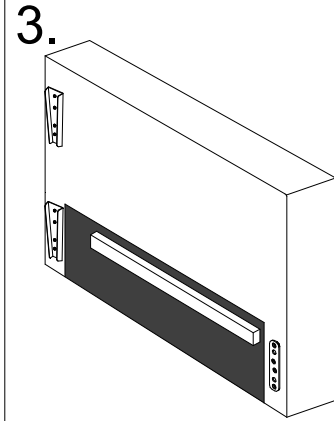
# ASSEMBLY PART



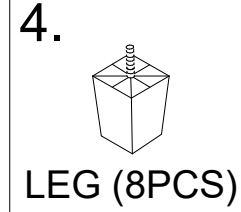
BACK REST



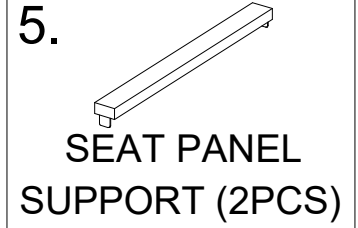
LEFT ARM (L)



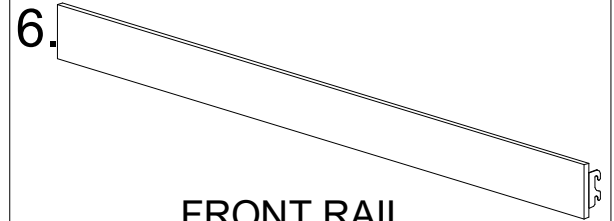
RIGHT ARM (R)



LEG (8PCS)



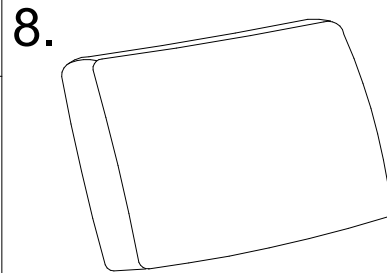
SEAT PANEL  
SUPPORT (2PCS)



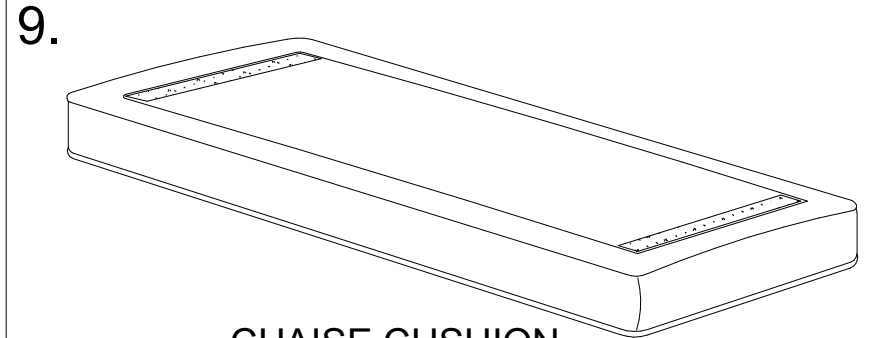
FRONT RAIL



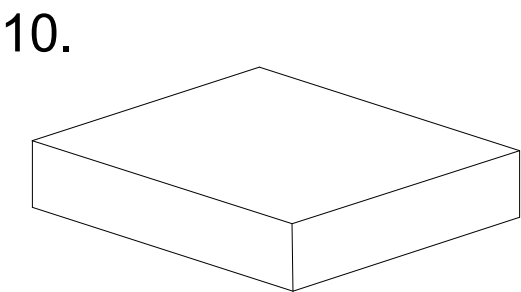
SEAT PANEL



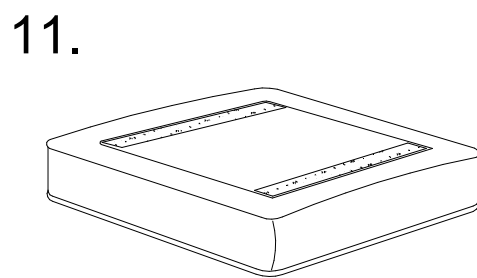
BACK PILLOW (3PCS)



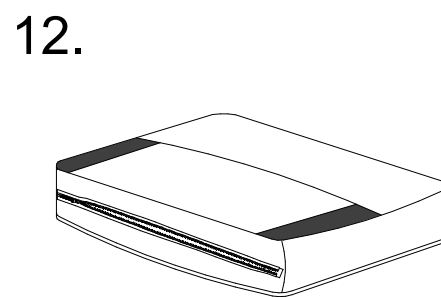
CHAISE CUSHION



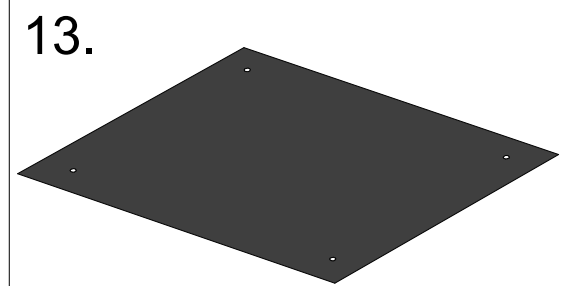
CHAISE BASE



SEAT CUSHION (2PCS)



PILLOWCASES (3PCS)

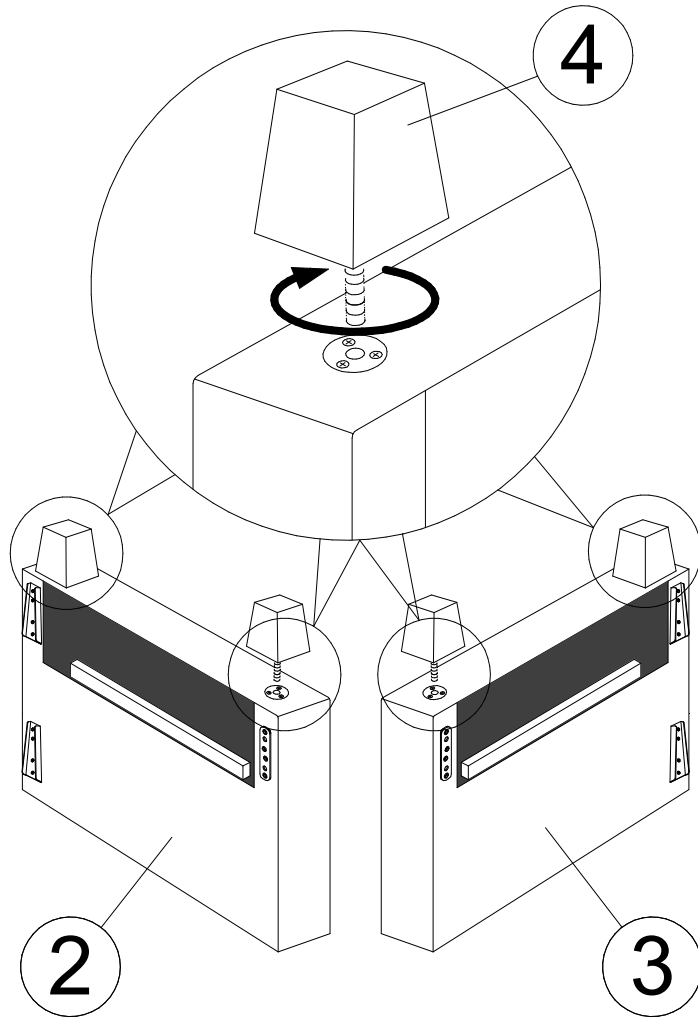


COVER CLOTH

# ASSEMBLY INSTRUCTION

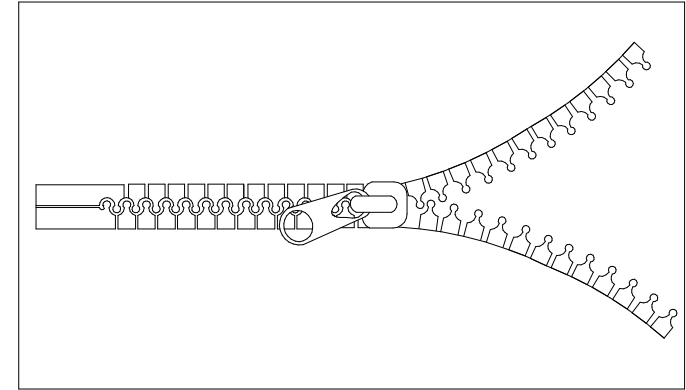
## STEP 1.

Attached the Leg (4)(4pcs) to Left Arm (L) and Right Arm (R).

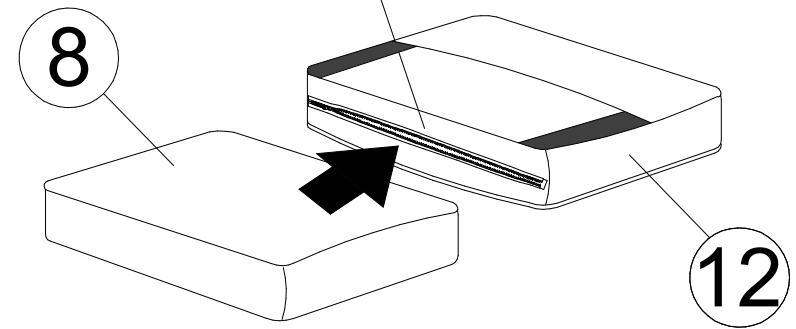


## STEP 2.

Take Pillowcases (12) (3pcs) and wrap them together.



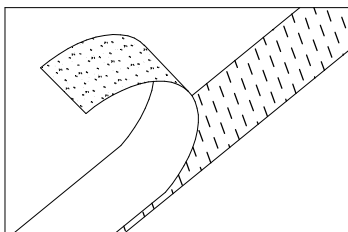
Pillowcases with zipper.



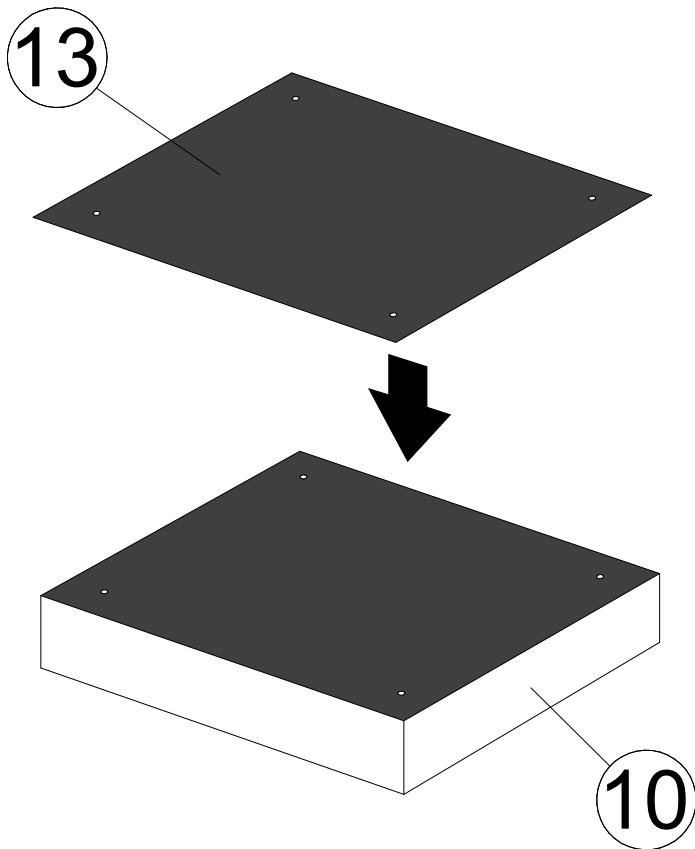
BACK PILLOW (3PCS)

# ASSEMBLY INSTRUCTION

## STEP 3.

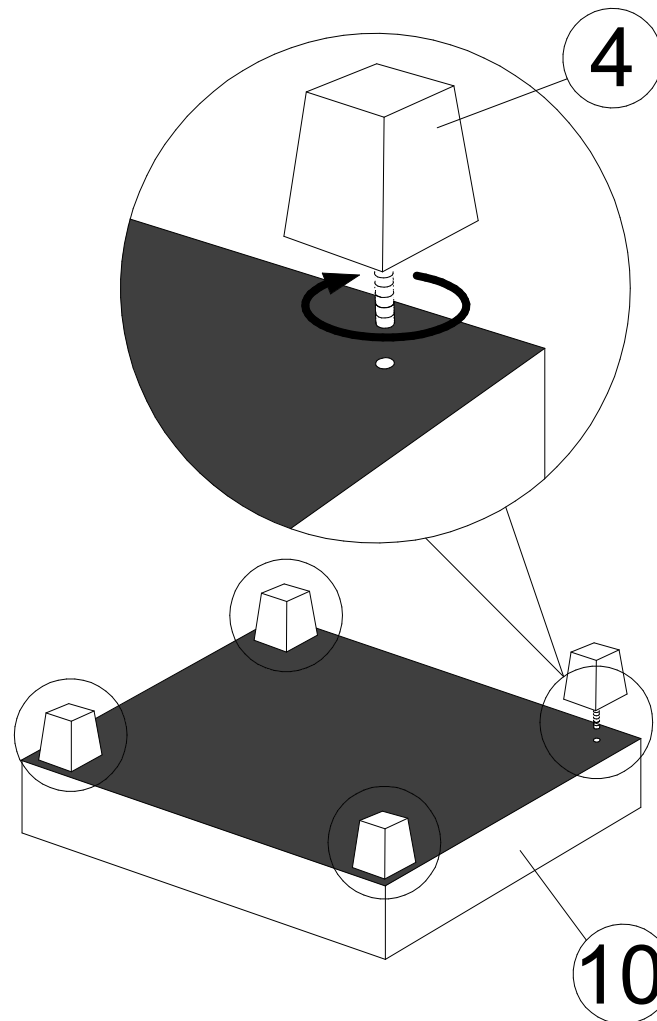


Take a Cover Cloth (13) and closed with velcro.



## STEP 4.

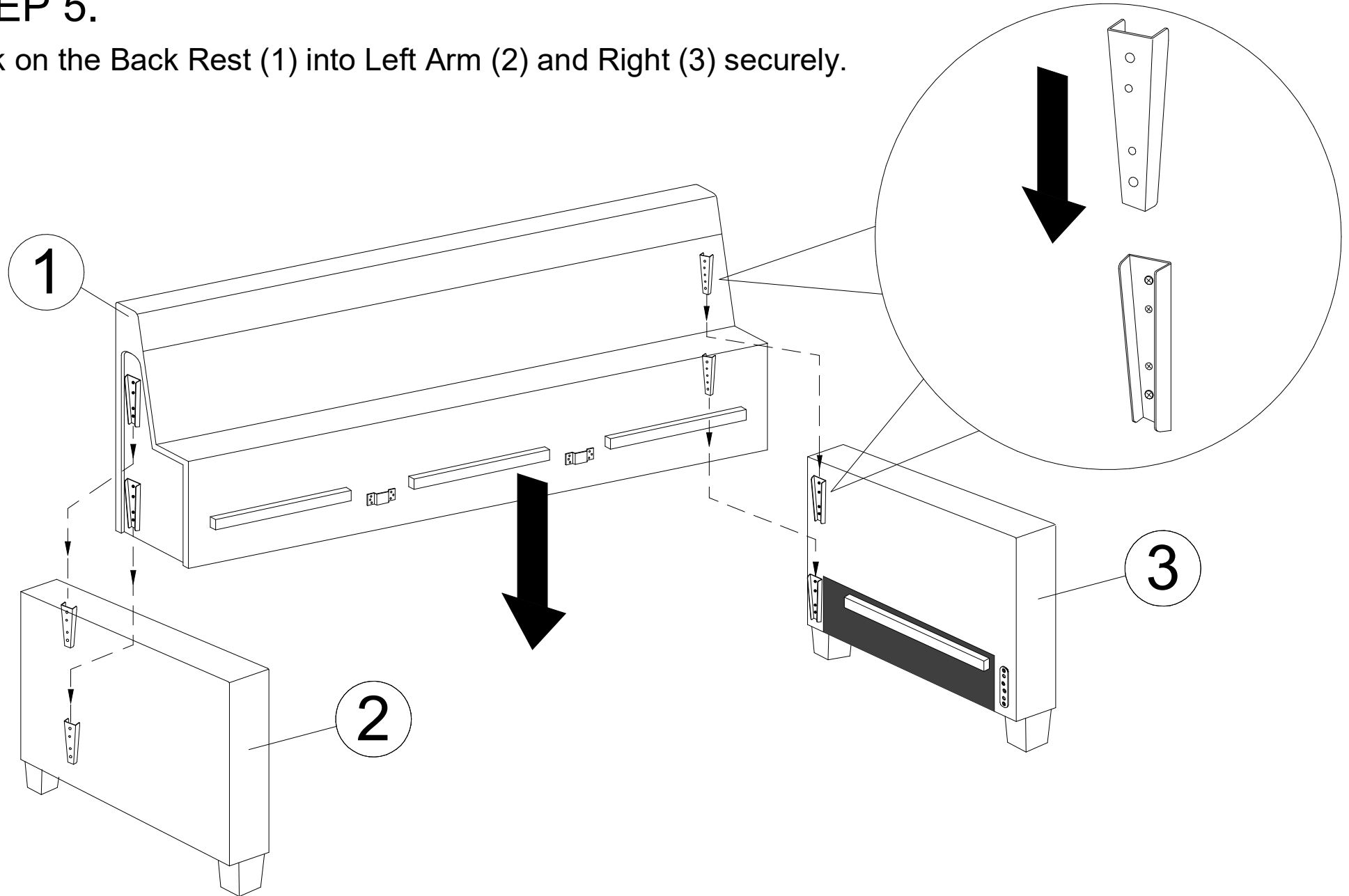
Attached the Leg (4)(4pcs) to the Chaise Base 10.



# ASSEMBLY INSTRUCTION

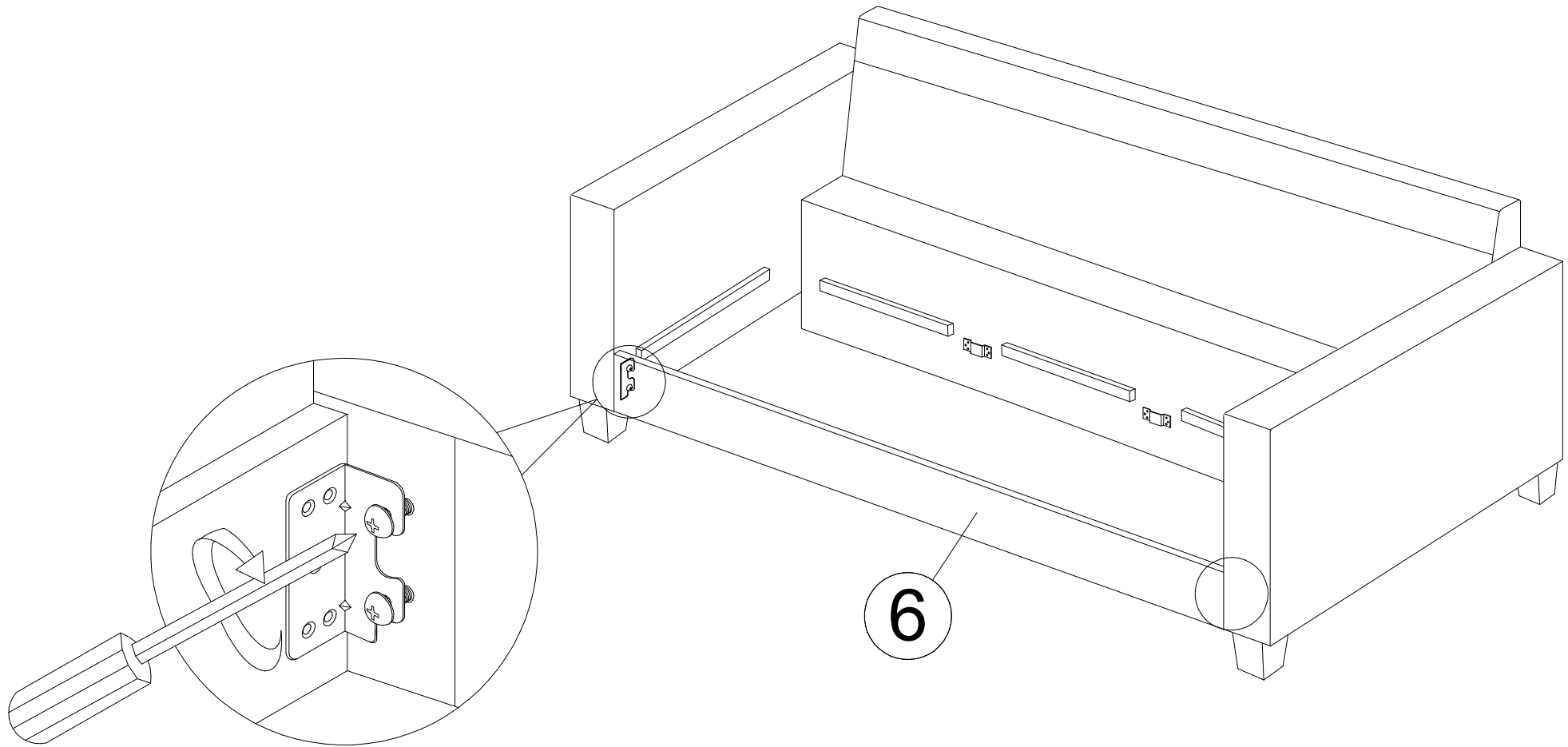
## STEP 5.

Hook on the Back Rest (1) into Left Arm (2) and Right (3) securely.



# ASSEMBLY INSTRUCTION

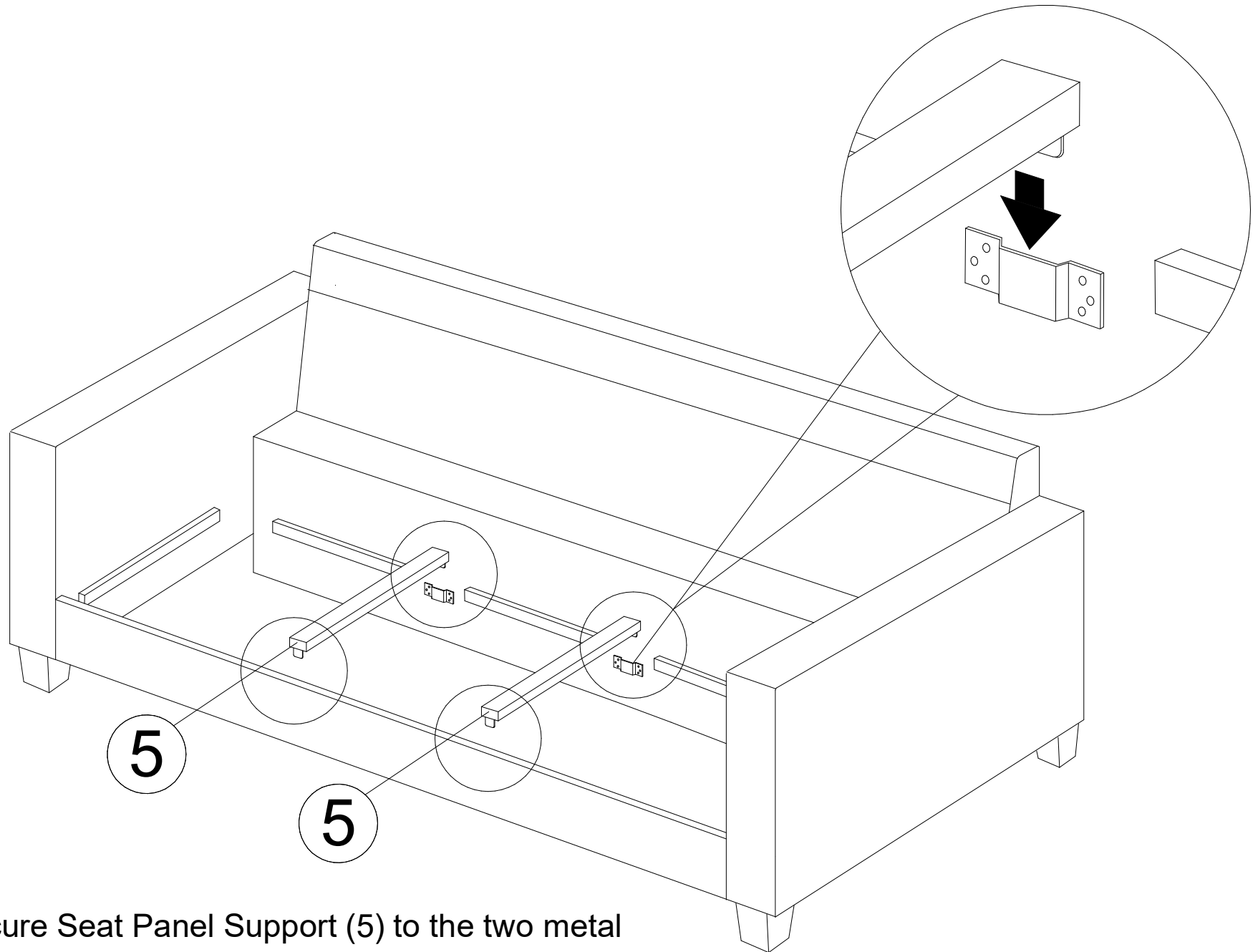
## STEP 6.



Slightly loosen the four screws using a screwdriver without removing the screws completely from both Side Arms (2 and 3). Hook on Front Rail (6) hooks into loosened screws, once placed tighten and secure all four screws with a screwdriver.

# ASSEMBLY INSTRUCTION

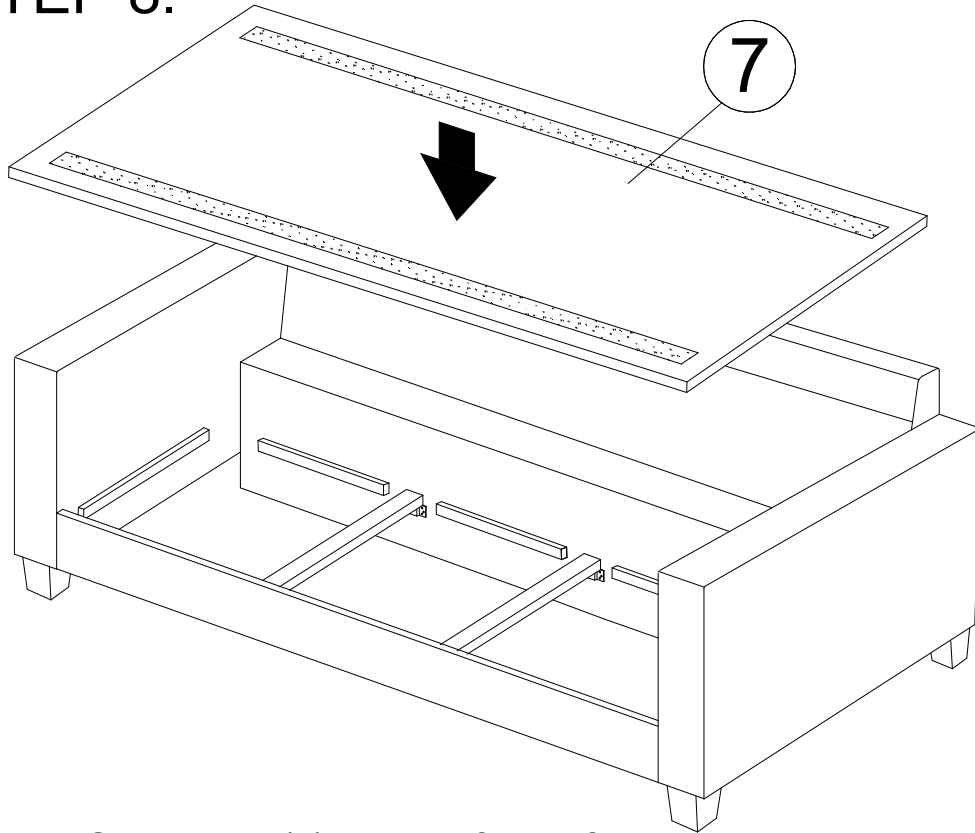
## STEP 7.



Hook on and secure Seat Panel Support (5) to the two metal slots on both Front Rail (6) and Back Rest (1).

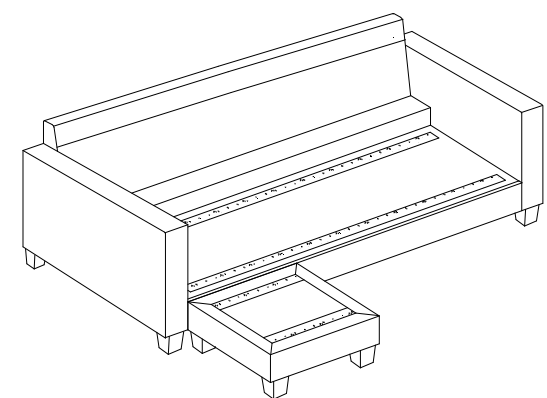
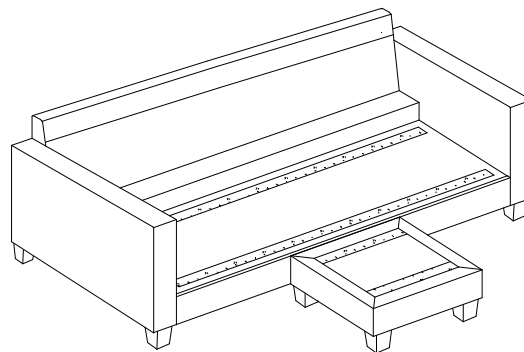
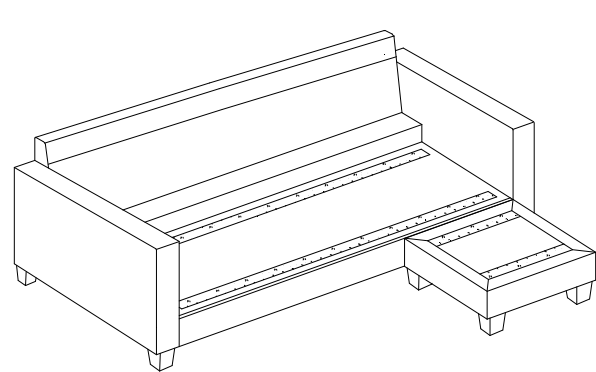
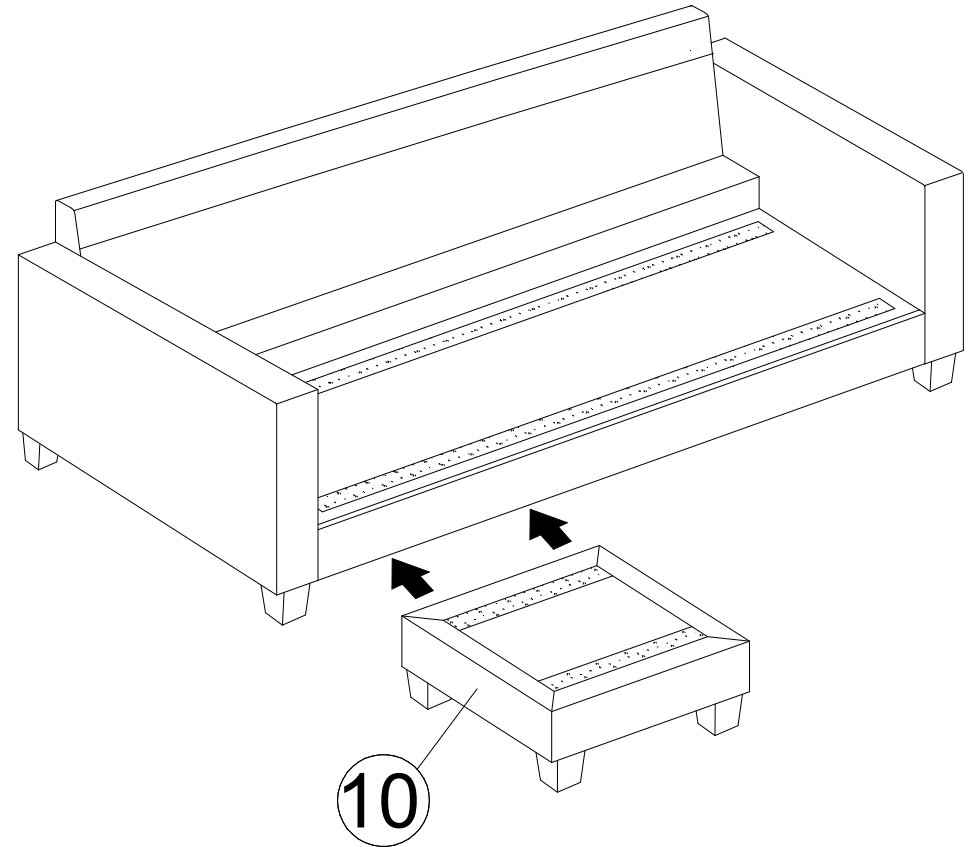
# ASSEMBLY INSTRUCTION

## STEP 8.



Lay the Seat Panel (7) on top of units frame.

## STEP 9.

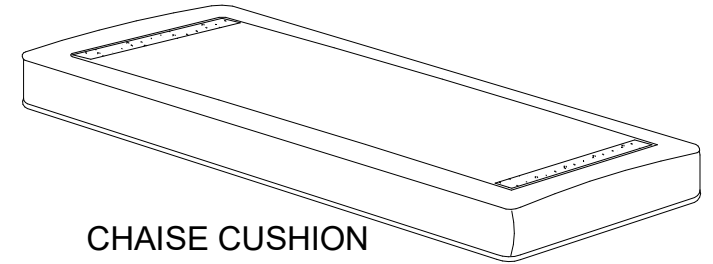
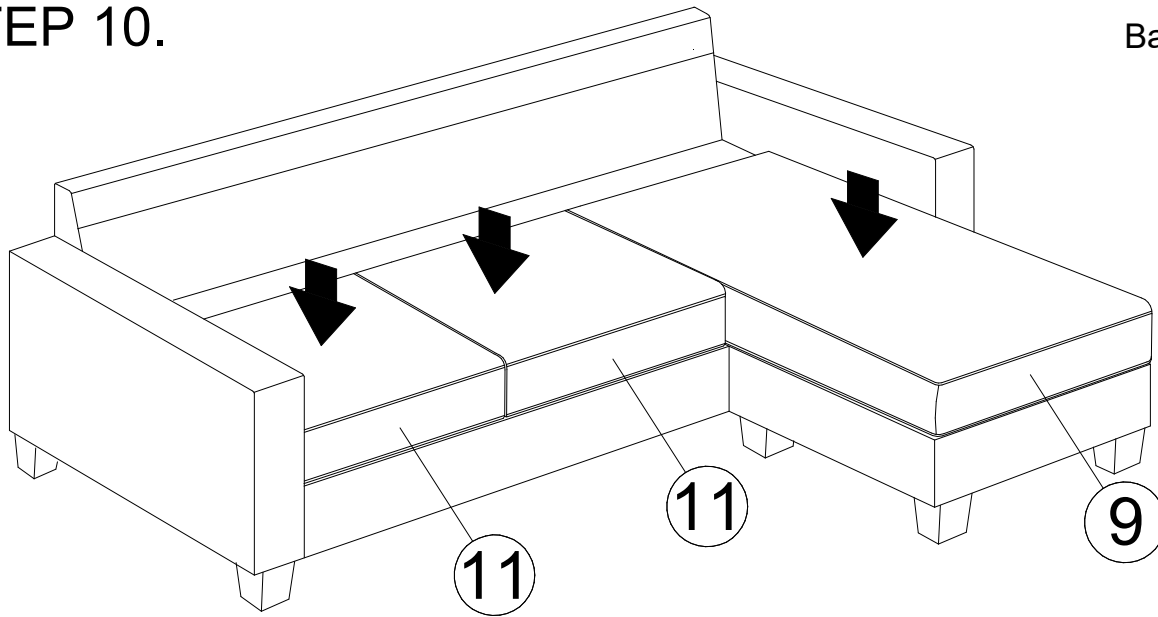


Combine the Chaise Base (10) with the sofa unit left, middle or right .

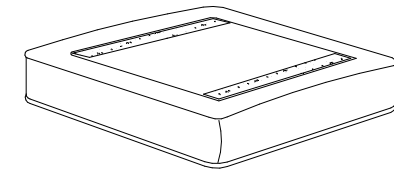
# ASSEMBLY INSTRUCTION

## STEP 10.

Back Chaise Cushion (9) and Seat Cushion 2pcs with velcro.



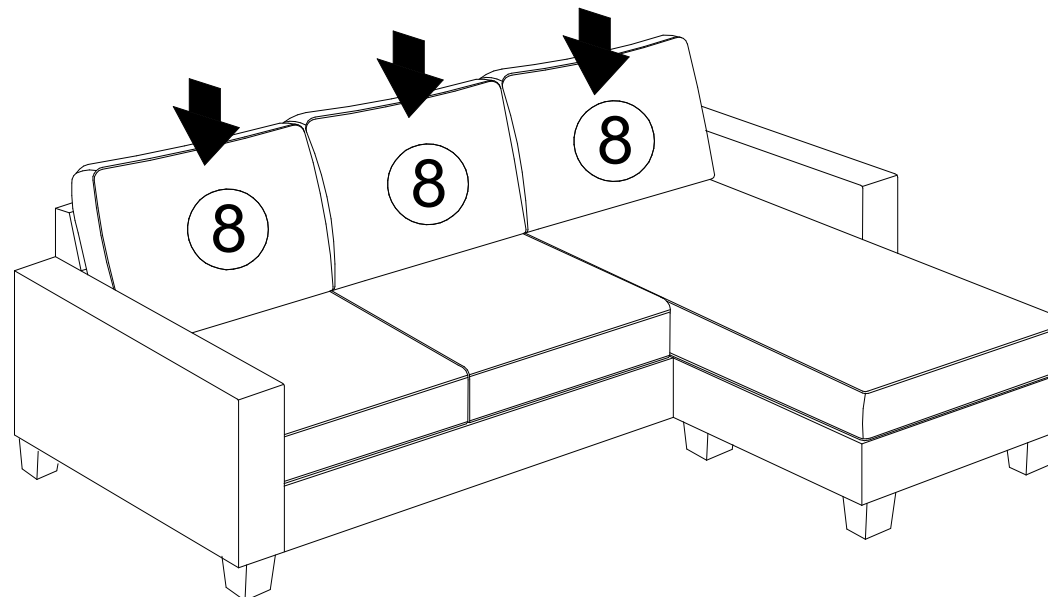
CHAISE CUSHION



SEAT CUSHION (2PCS)

Attach the Chaise Cushion (9) and Seat Cushion (11) with velcro.

## STEP 11.



Attach the Back Pillow (8)(3PCS) to Left Back Frame (2), Middle Back Frame (4) and Right Back Rest.