

Assembly Instructions

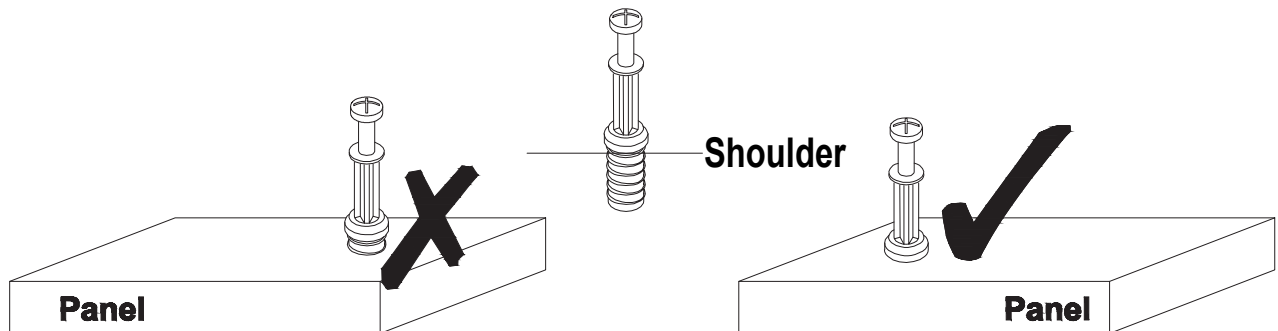


Before Assembly

Tips Before Your Start:

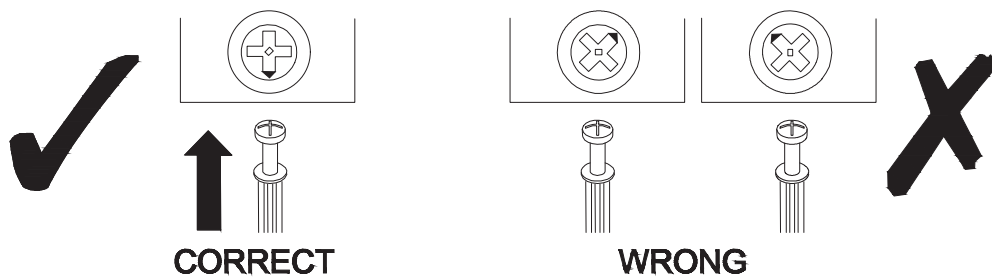
- Remove all wrapping material, including staples & packing straps before you start to assemble.
- DO NOT tighten all screws and bolts until the assembly is completely assembled.
- Keep all hardware parts out of reach of children.

QUICKFIT



Tighten quickfit until shoulder is flush with panel. Do not overtighten or undertighten.

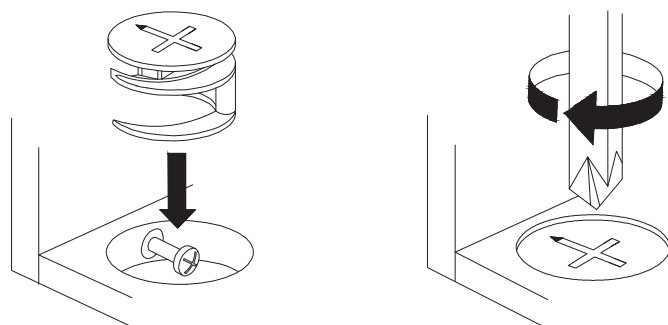
CAM LOCK



When fitting a cam lock, ensure the starting position is correct before inserting the connecting QUI CKFIT

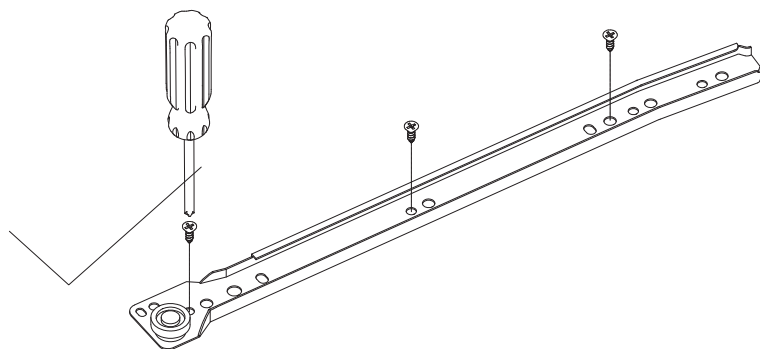
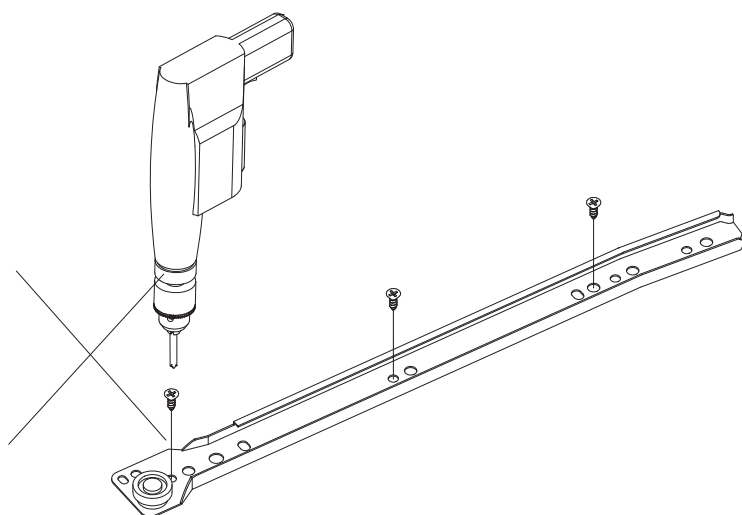
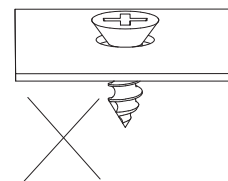
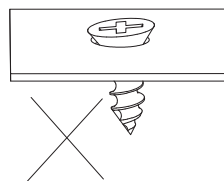
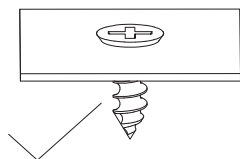
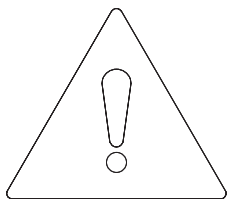
Quickfit head should be in the centre of the cam lock when the two panels are joined.

Cam lock should be inserted before quickfit.

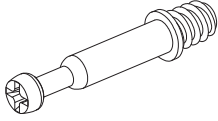


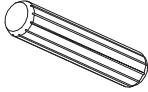
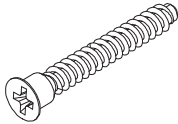
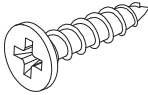
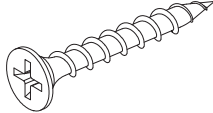
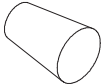

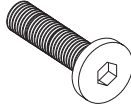
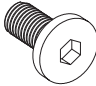

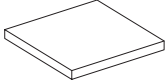
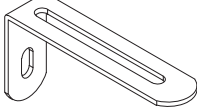
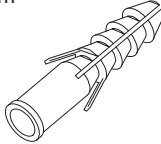
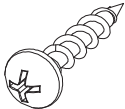
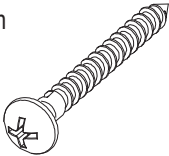
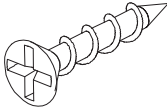
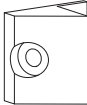
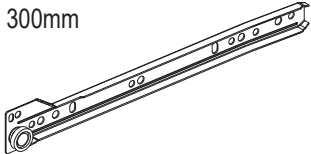
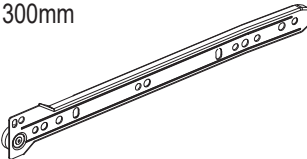
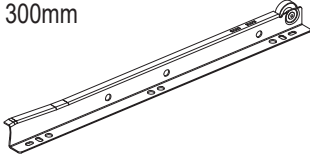
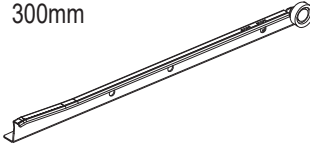


Turn cam lock clockwise to tighten.

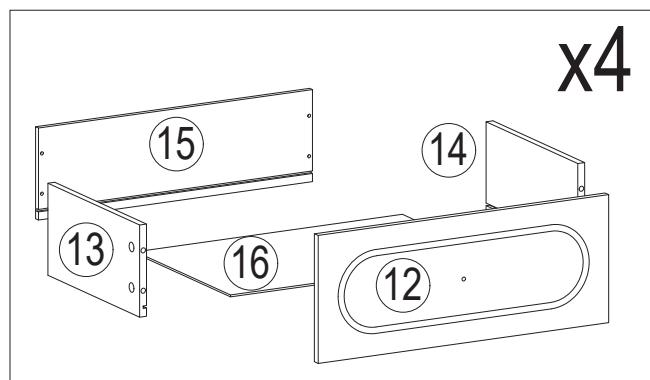
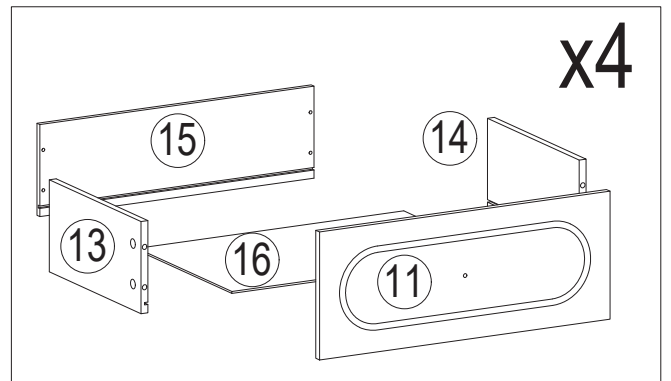
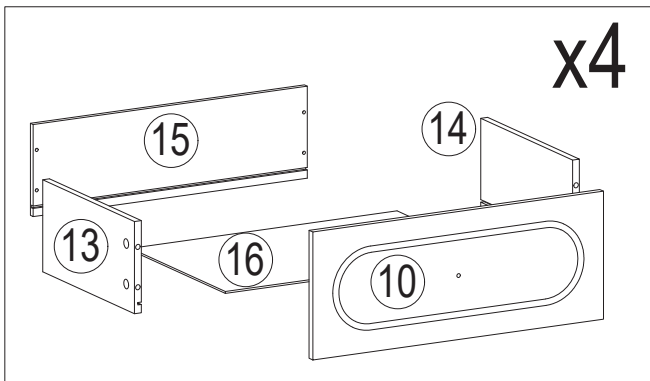
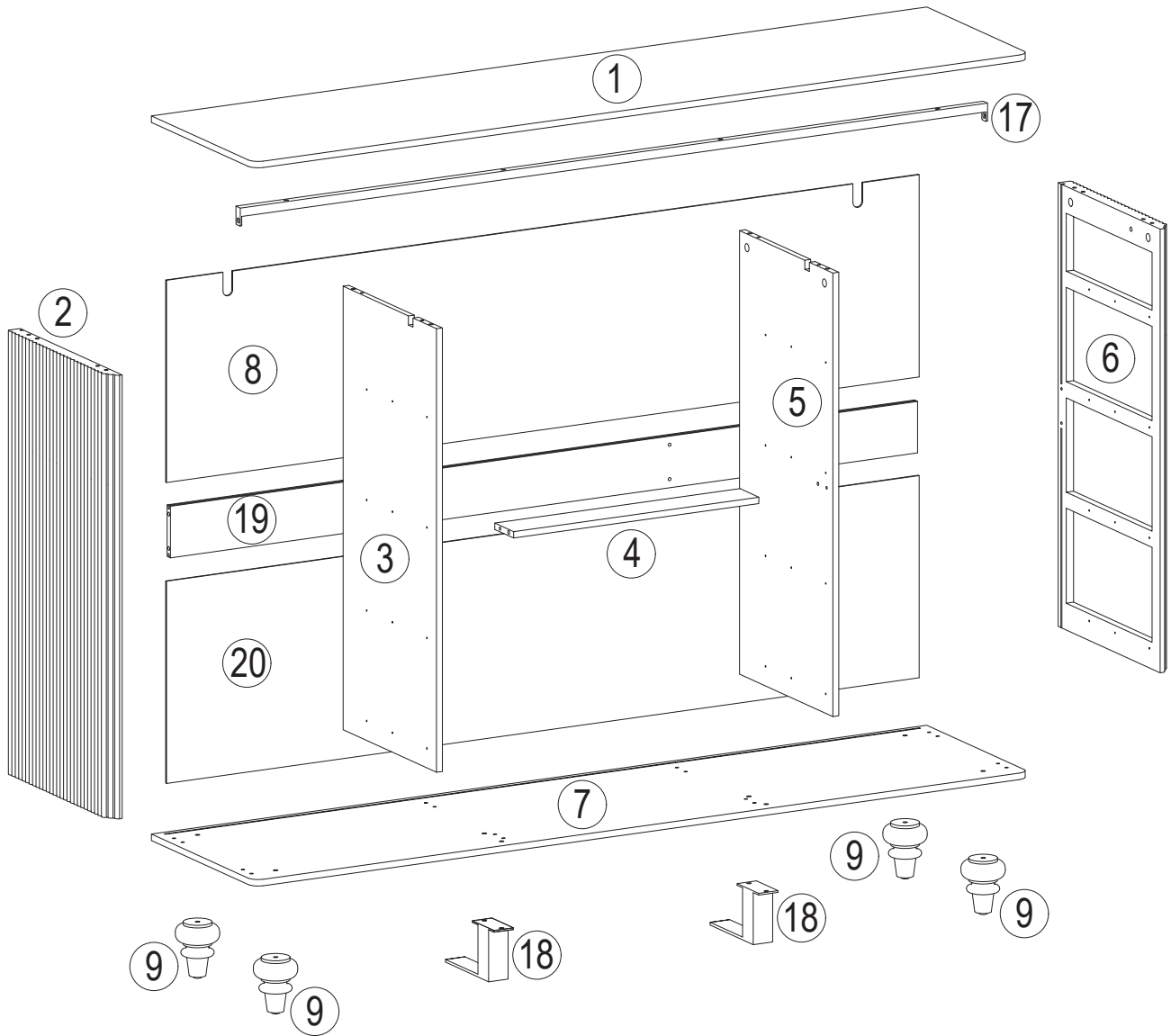
Please kindly note the following points when you assemble the sliders of the drawers



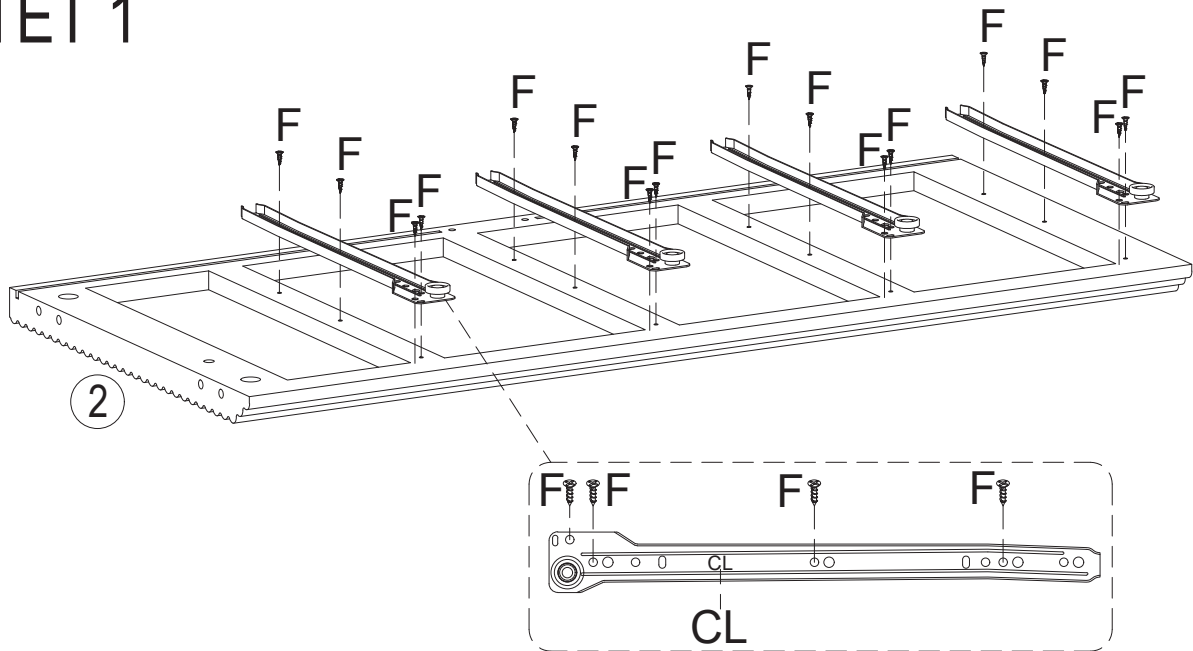
Part List

<p>No. A Quantity: 62+2 PCS Cam Bolt ø6x33.5mm</p> 	<p>No. B Quantity: 62+2 PCS Cam ø15x9.5mm</p> 	<p>No. C Quantity: 62+2 PCS Sticker ø20mm</p> 	<p>No. D Quantity: 18+2 PCS Dowel ø6x30mm</p> 
<p>No. E Quantity: 12+1 PCS Screw ø5x48mm</p> 	<p>No. F Quantity: 168+2 PCS Screw ø3.5x12mm</p> 	<p>No. G Quantity: 48+2 PCS Screw ø4x30mm</p> 	<p>No. H Quantity: 12 PCS Handle ø20x23mm</p> 
<p>No. I Quantity: 12 +1 PCS Screw M4x16mm</p> 	<p>No. J Quantity: 8 PCS Bolt M6x25mm</p> 	<p>No. K Quantity: 6 PCS Bolt M6x12mm</p> 	<p>No. L Quantity: 1 PCS Hex Key 4mm</p> 
<p>No. M Quantity: 2 PCS Foot Pad 35x35x3mm</p> 	<p>No. N Quantity: 2 PCS L-Shaped anti tipping iron bar 76x15x30mm</p> 	<p>No. O Quantity: 2 PCS Plastic Expansion ø8x40mm</p> 	<p>No. P Quantity: 2 PCS Screw ø4x12mm</p> 
<p>No. Q Quantity: 2 PCS Screw ø4x38mm</p> 	<p>No. R Quantity: 14 PCS Screw ø3x16mm</p> 	<p>No. S Quantity: 14 PCS Back Buckle 15x15x10mm</p> 	<p>No. CL Quantity: 12 PCS Drawer Slider 300mm</p> 
<p>No. CR Quantity: 12 PCS Drawer Slider 300mm</p> 	<p>No. DL Quantity: 12 PCS Drawer Slider 300mm</p> 	<p>No. DR Quantity: 12 PCS Drawer Slider 300mm</p> 	

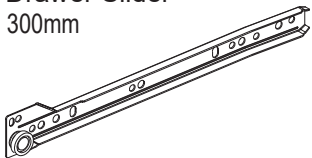
Product structure



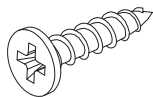
STET 1



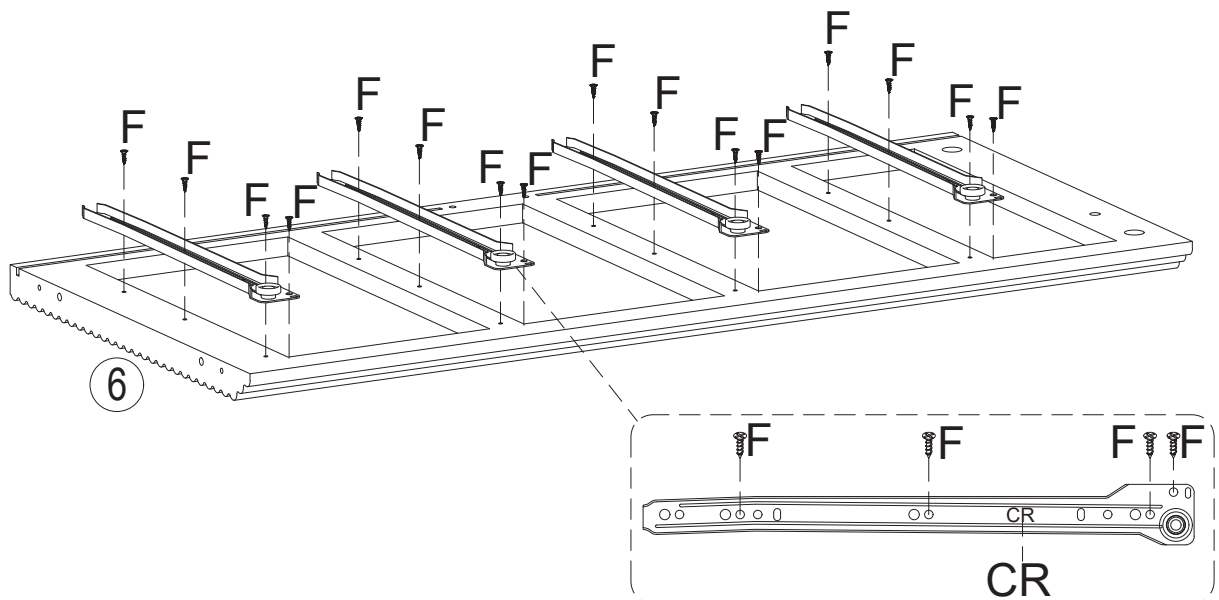
No. CL
Quantity: 4 PCS
Drawer Slider
300mm



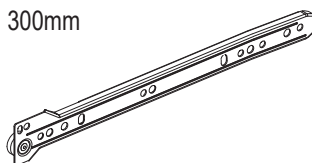
No. F
Quantity: 16 PCS
Screw
ø3.5x12mm



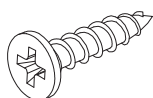
STET 2



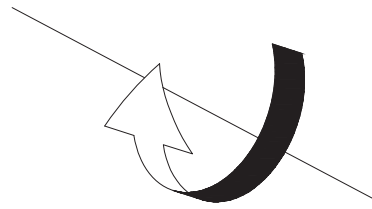
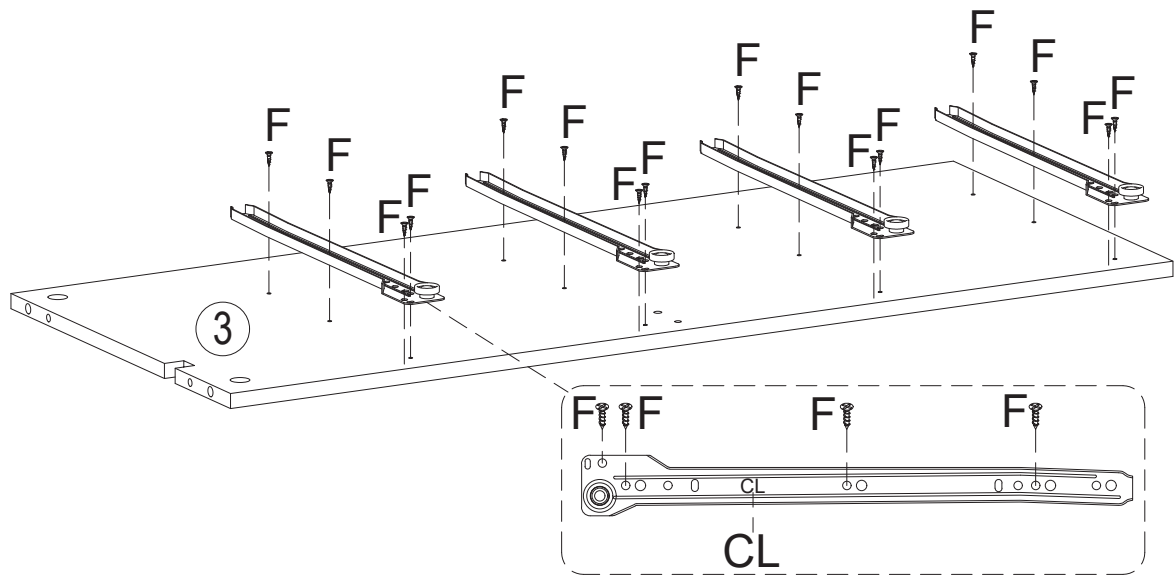
No. CR
Quantity: 4 PCS
Drawer Slider
300mm



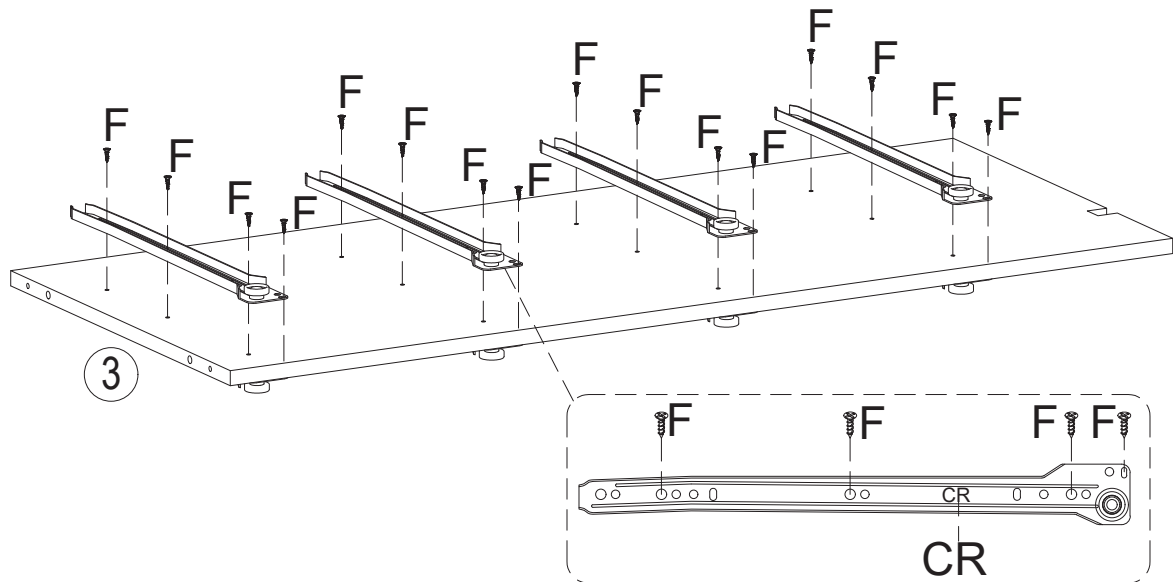
No. F
Quantity: 16 PCS
Screw
ø3.5x12mm



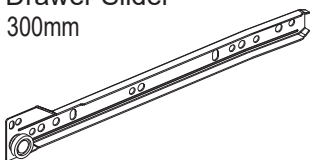
STET 3



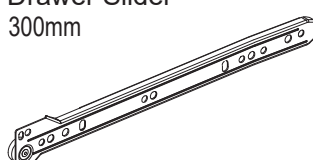
180°



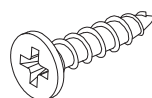
No. CL
Quantity: 4 PCS
Drawer Slider
300mm



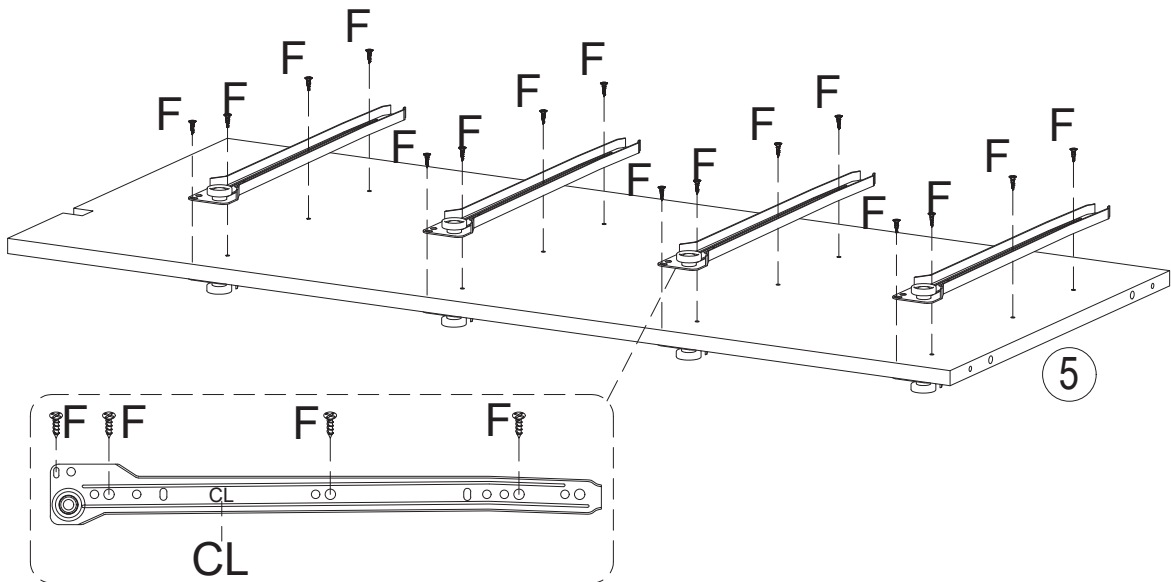
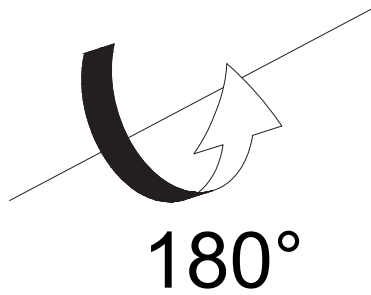
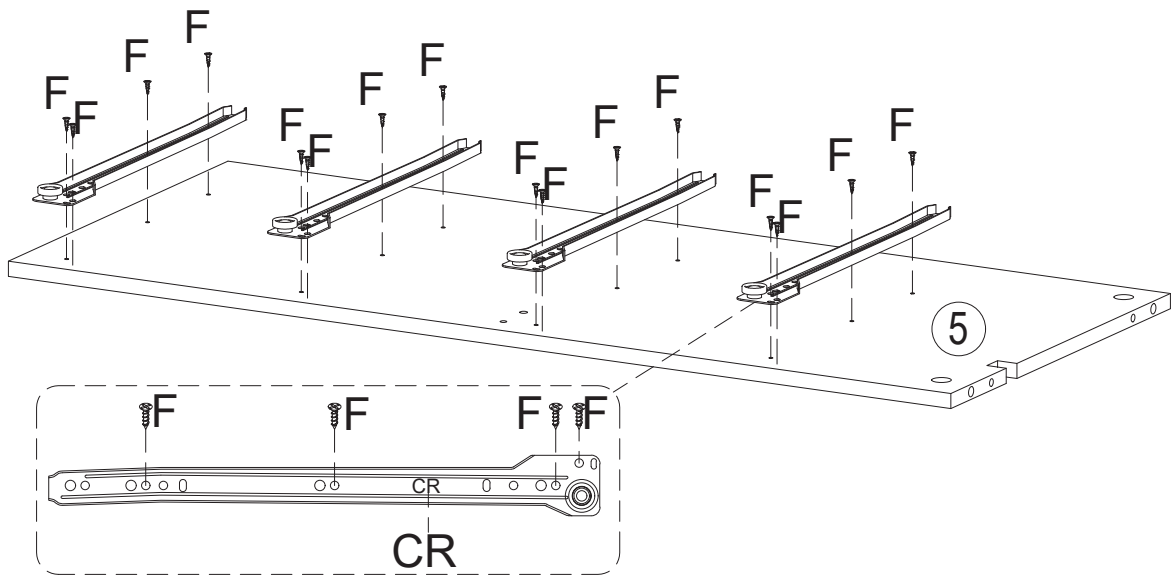
No. CR
Quantity: 4 PCS
Drawer Slider
300mm



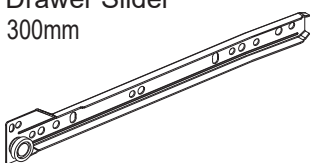
No. F
Quantity: 32 PCS
Screw
ø3.5x12mm



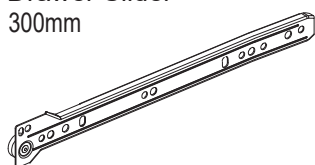
STET 4



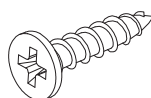
No. CL
Quantity: 4 PCS
Drawer Slider
300mm



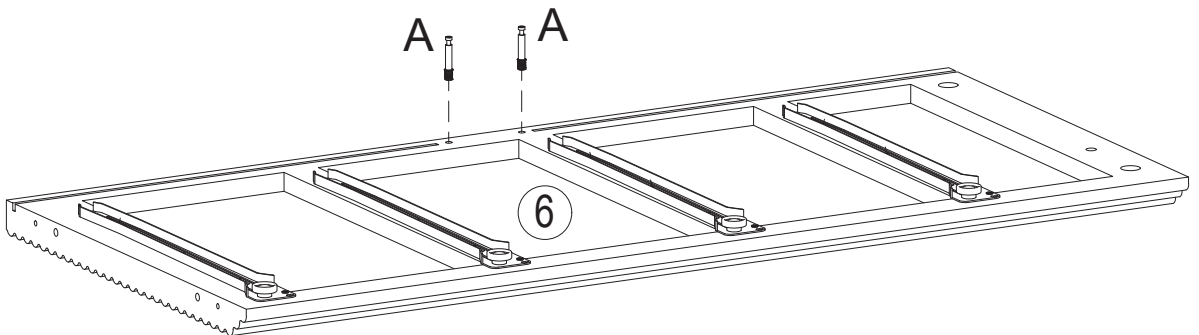
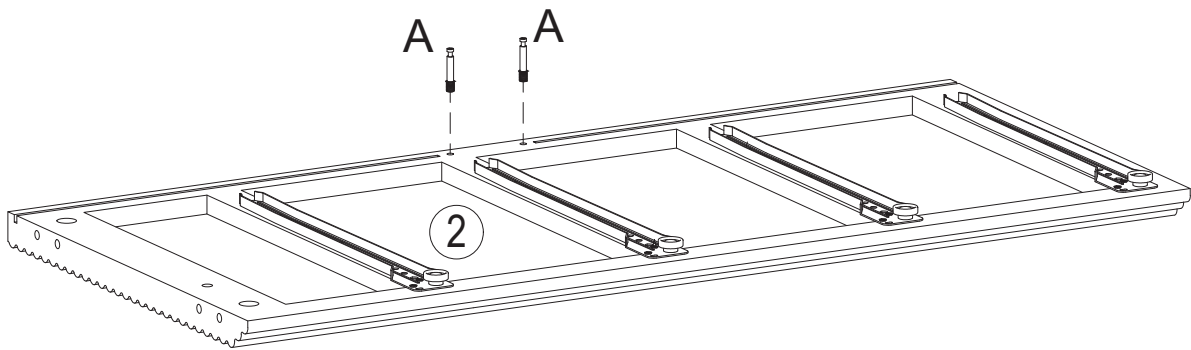
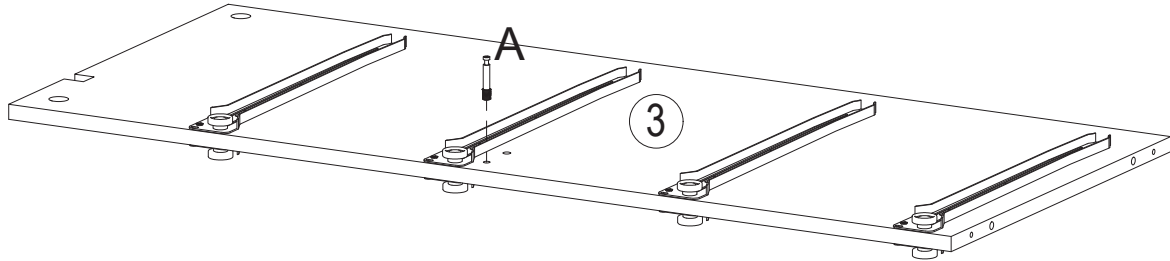
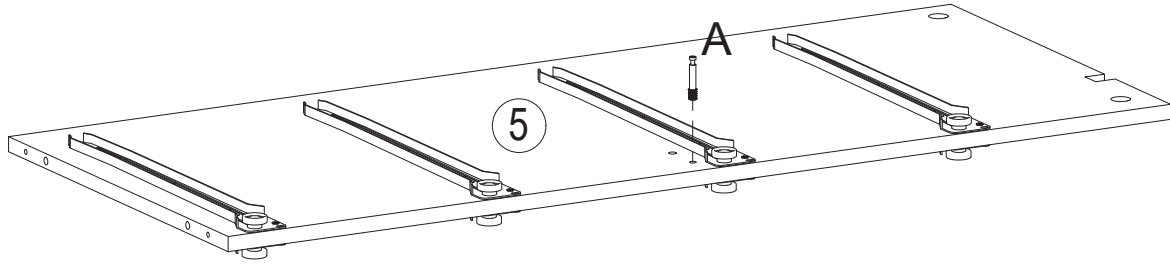
No. CR
Quantity: 4 PCS
Drawer Slider
300mm



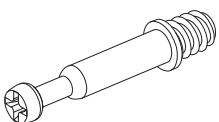
No. F
Quantity: 32 PCS
Screw
ø3.5x12mm



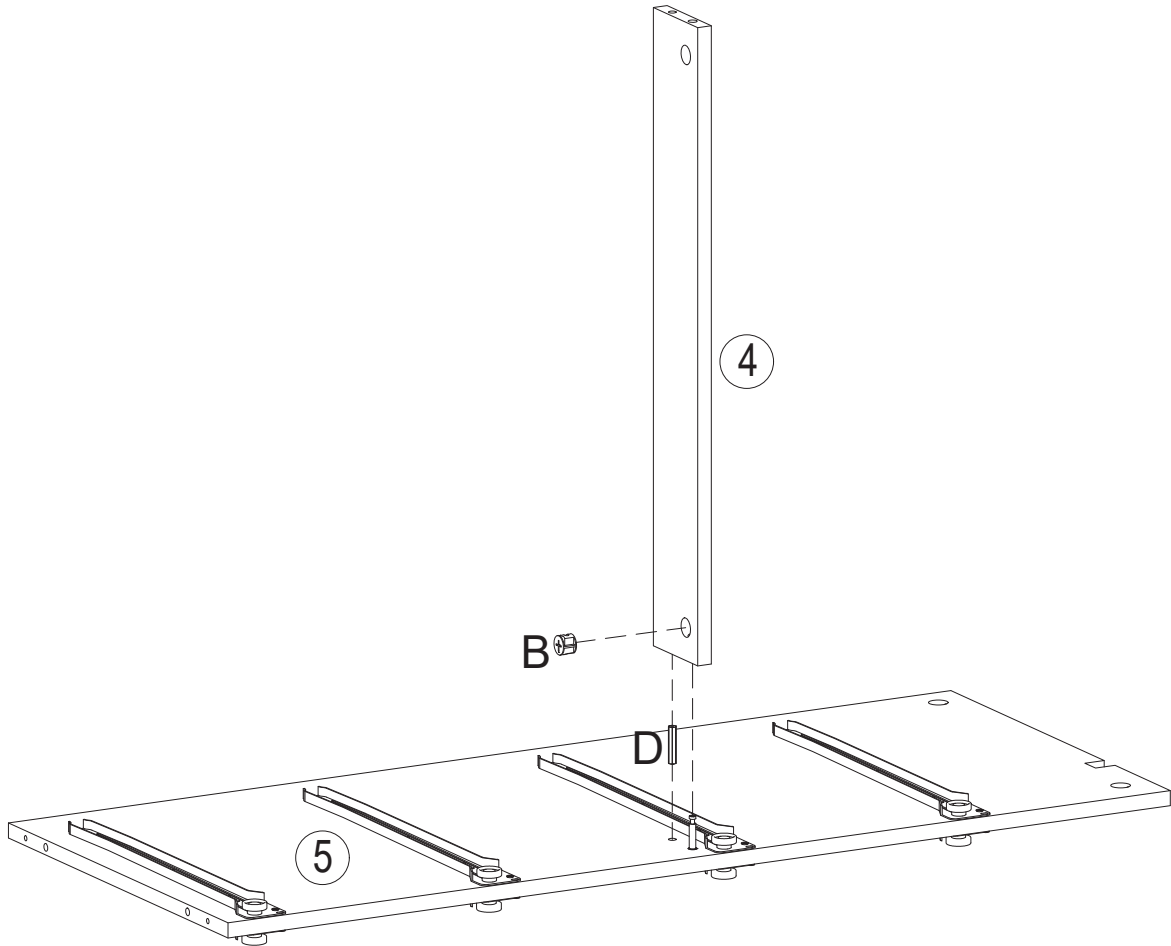
STET 5



No. A
Quantity: 6 PCS
Cam Bolt
ø6x33.5mm



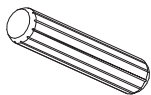
STET 6



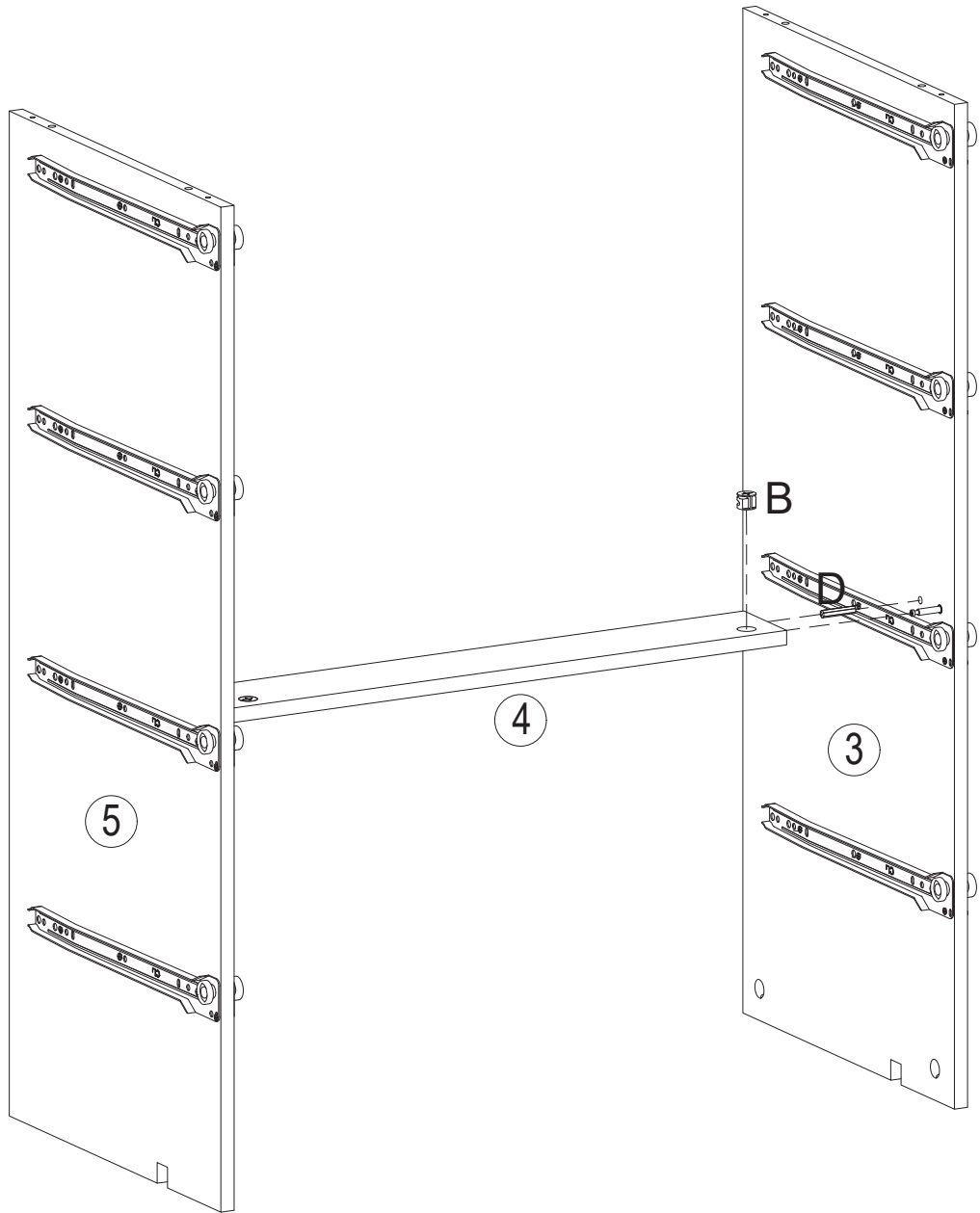
No. B
Quantity: 1 PCS
Cam
ø15x9.5mm



No. D
Quantity: 1 PCS
Dowel
ø6x30mm



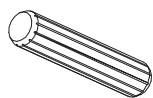
STET 7



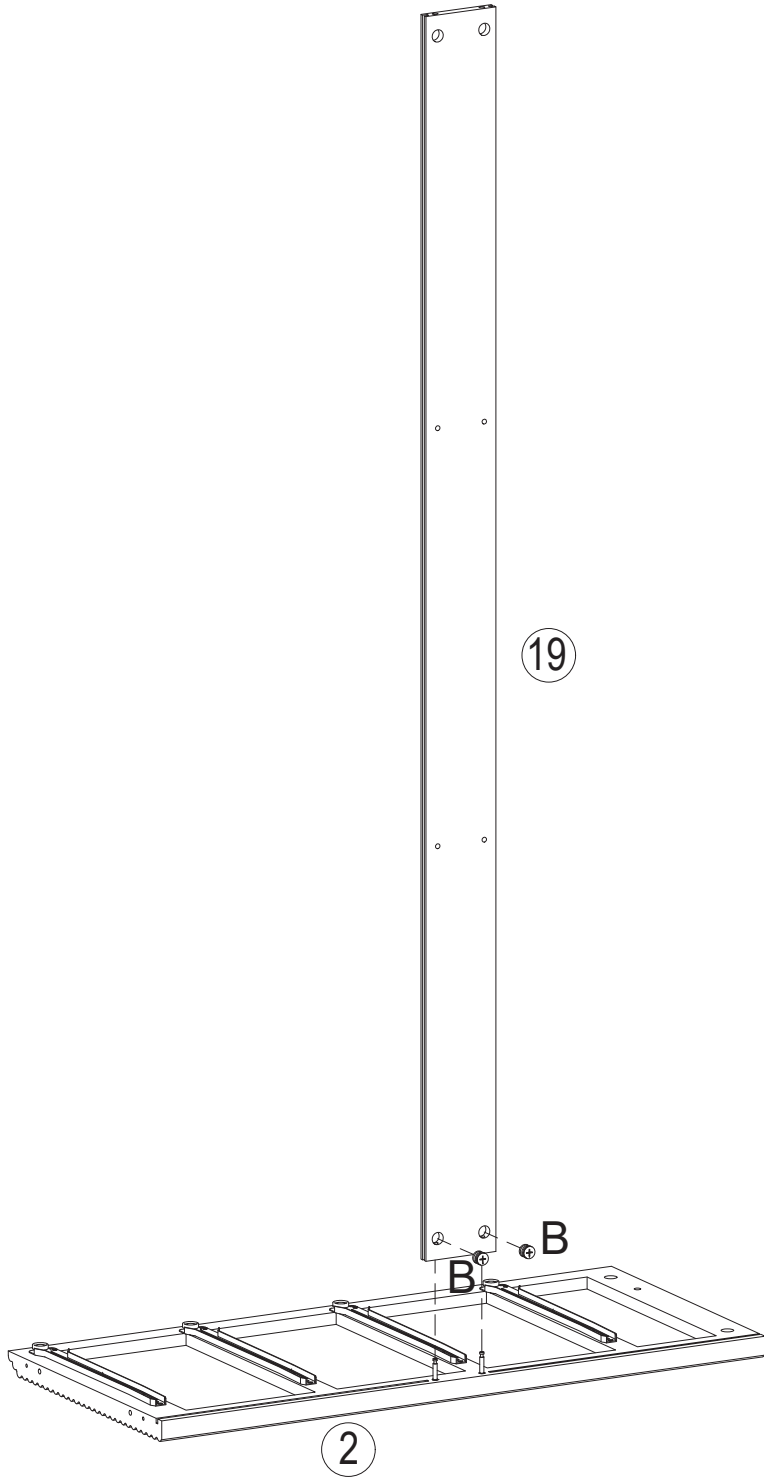
No. B
Quantity: 1 PCS
Cam
ø15x9.5mm



No. D
Quantity: 1 PCS
Dowel
ø6x30mm



STET 8



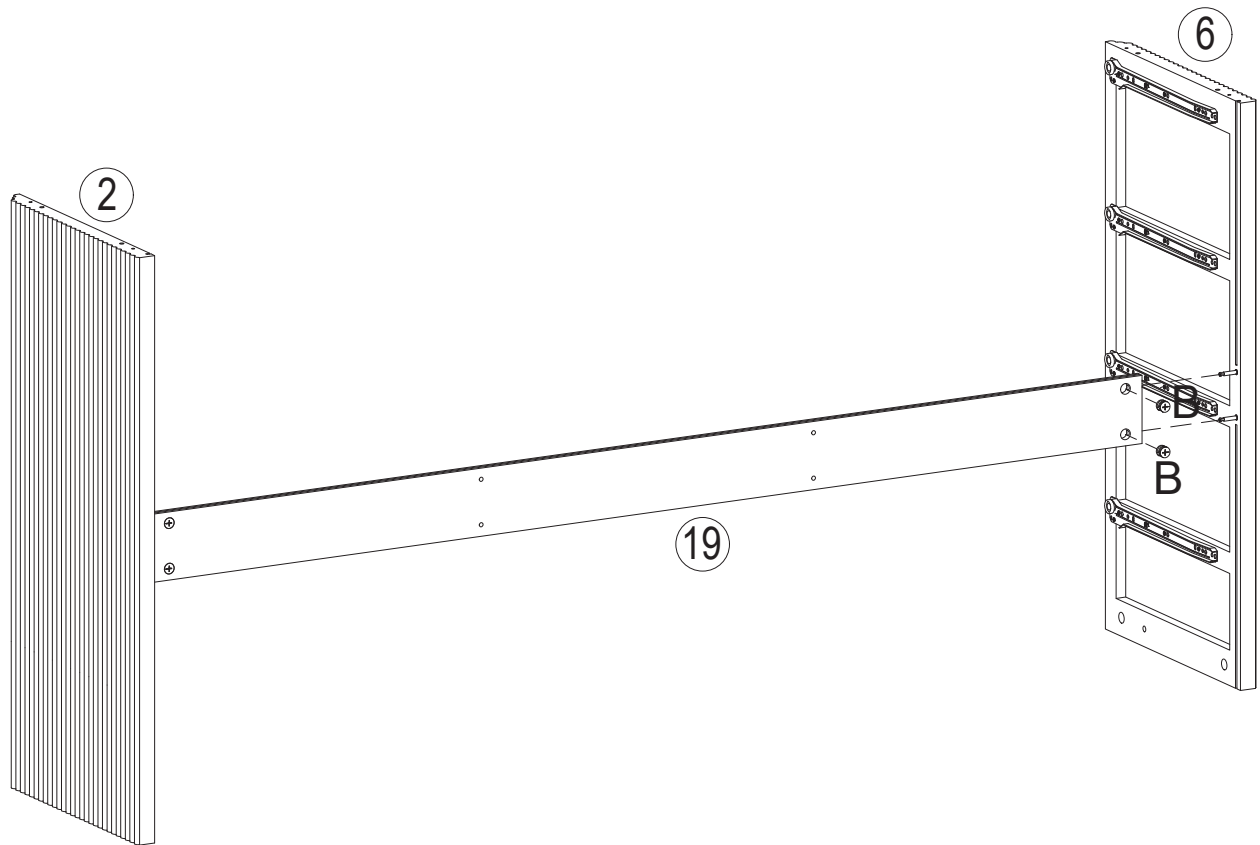
No. B

Quantity: 2 PCS

Cam
ø15x9.5mm



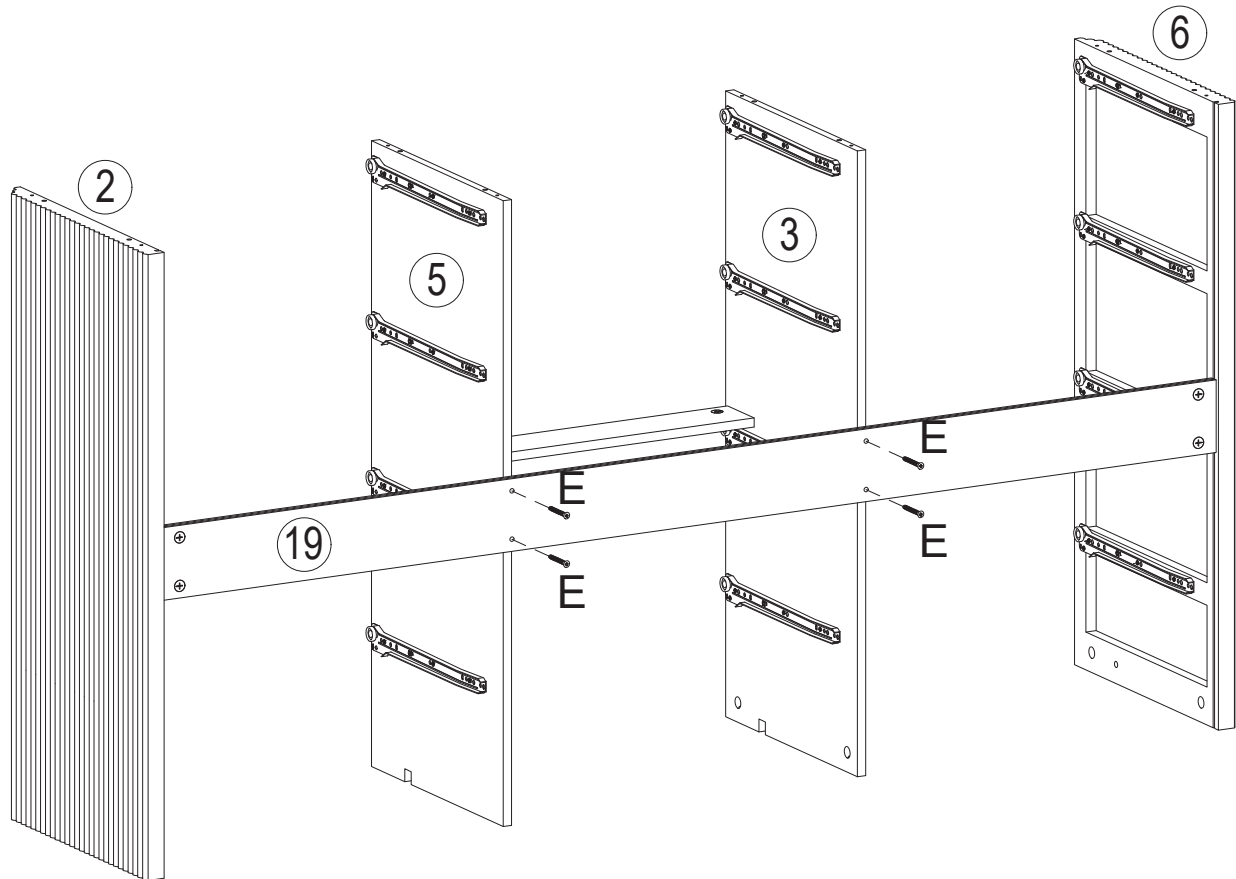
STET 9



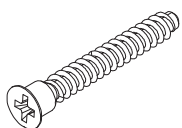
No. B
Quantity: 2 PCS
Cam
ø15x9.5mm



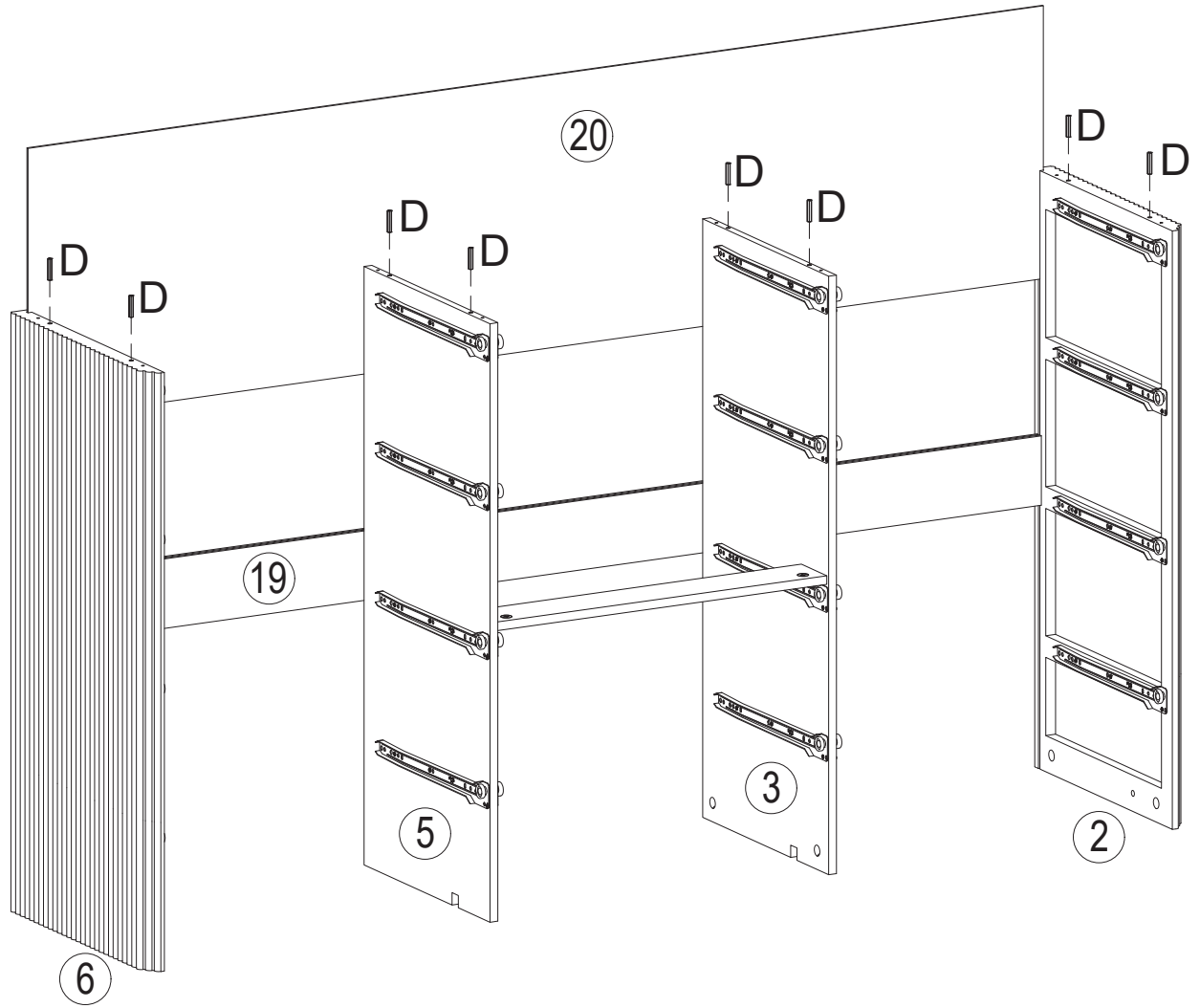
STET 10



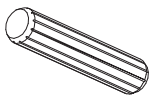
No. E
Quantity: 4 PCS
Screw
ø5x48mm



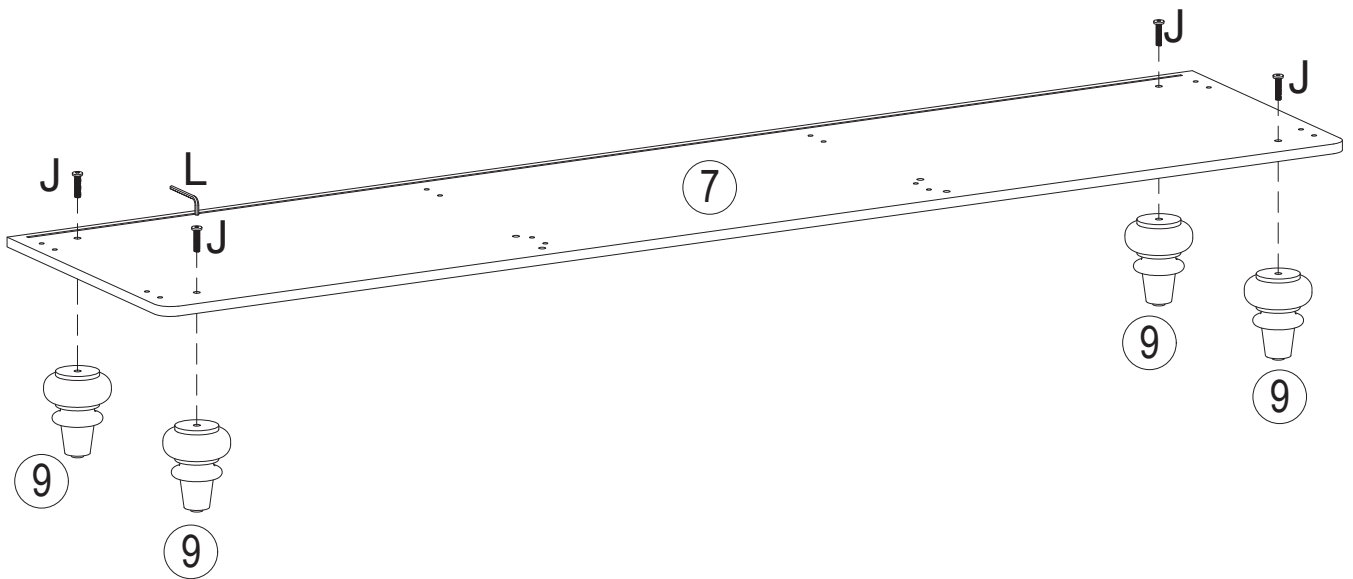
STET 11



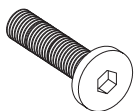
No. D
Quantity: 8 PCS
Dowel
ø6x30mm



STET 12



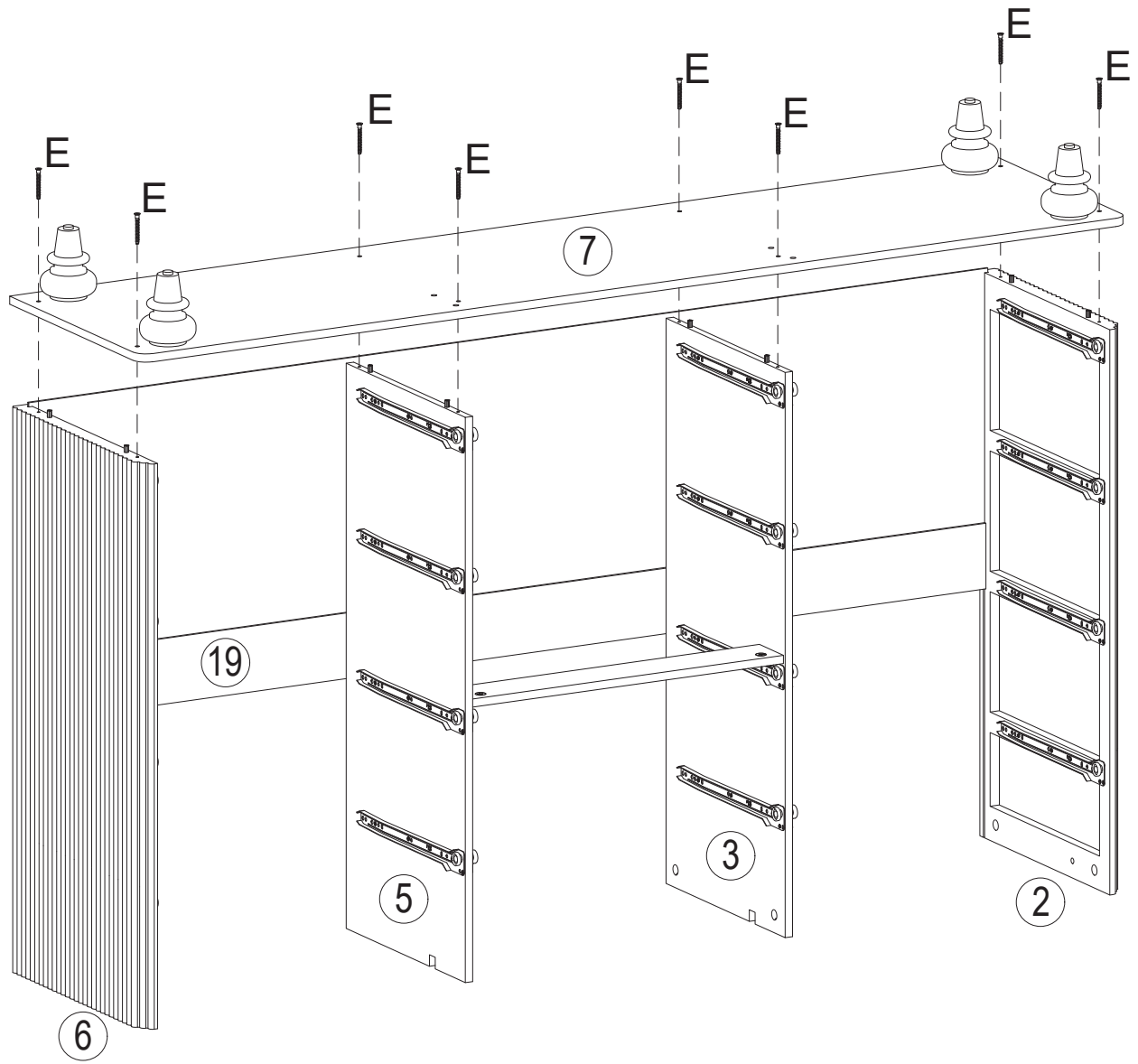
No. J
Quantity: 4 PCS
Bolt
M6x25mm



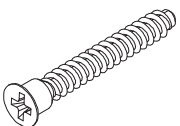
No. L
Quantity: 1 PCS
Hex Key
4mm



STET 13



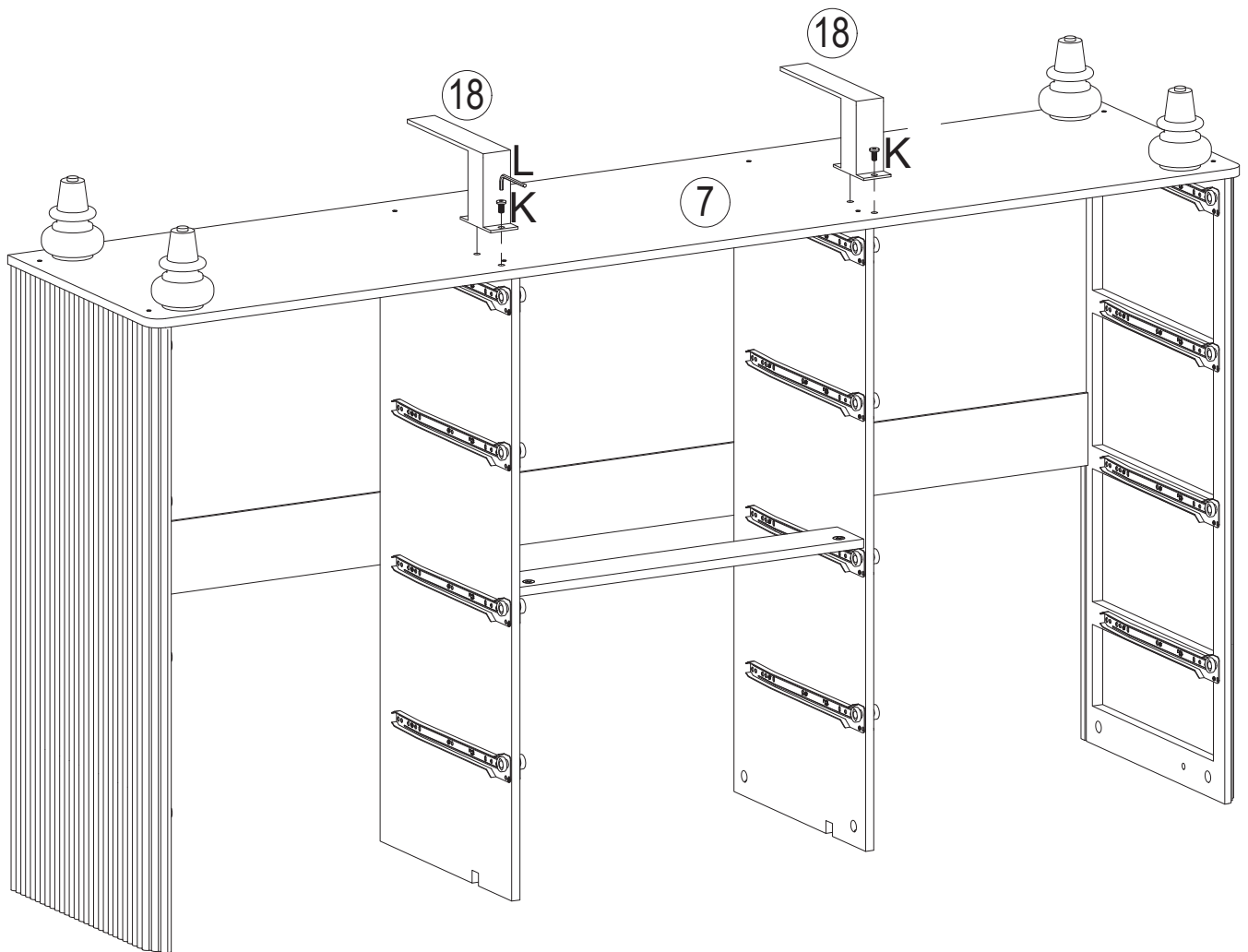
No. E
Quantity: 8 PCS
Screw
ø5x48mm



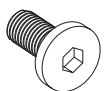
STET 14

NOTE:

For more stable ,the L leg also can be installed oppositly.



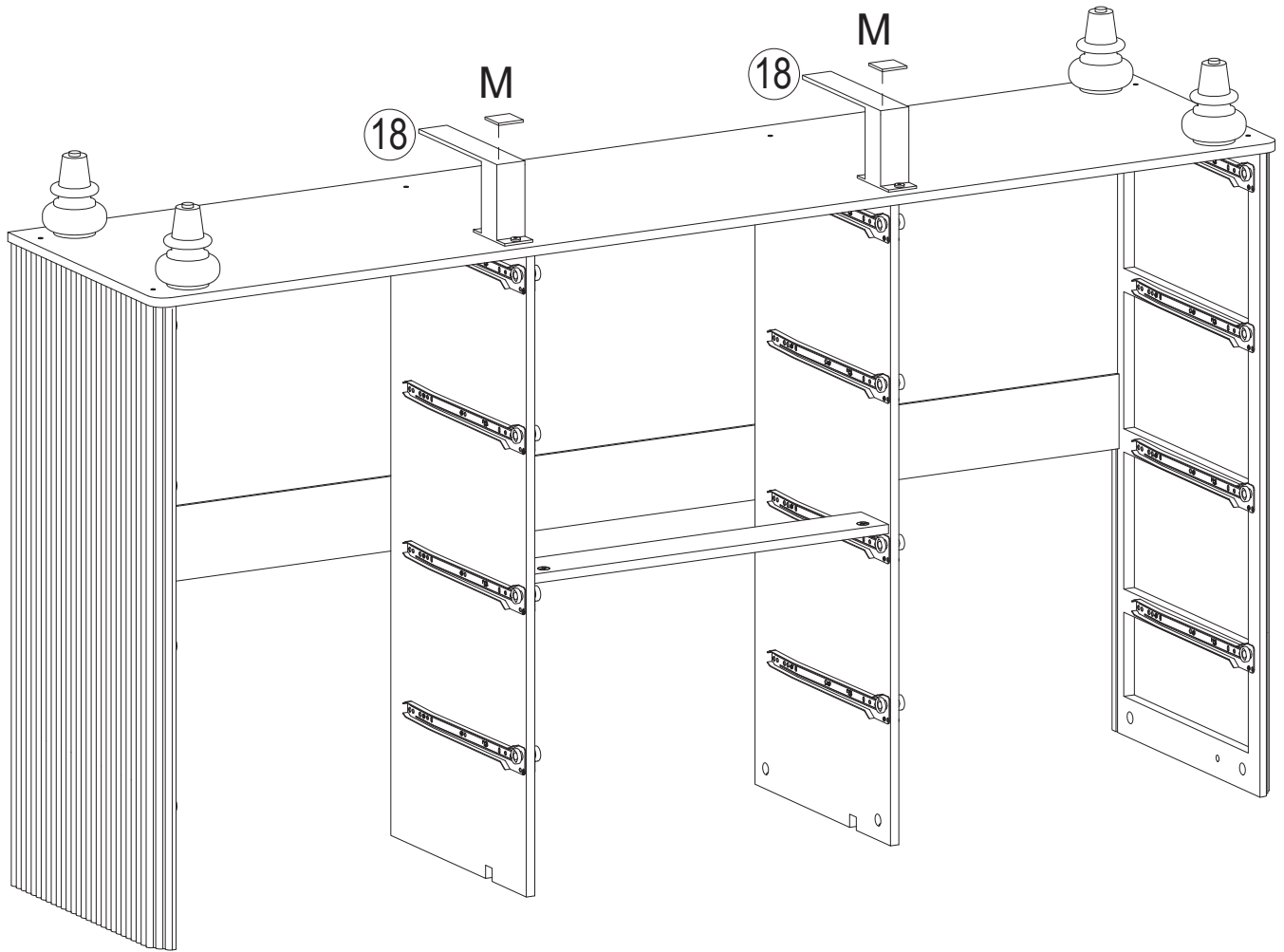
No. K
Quantity: 4 PCS
Bolt
M6x12mm



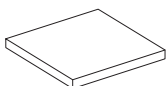
No. L
Quantity: 1 PCS
Hex Key
4mm



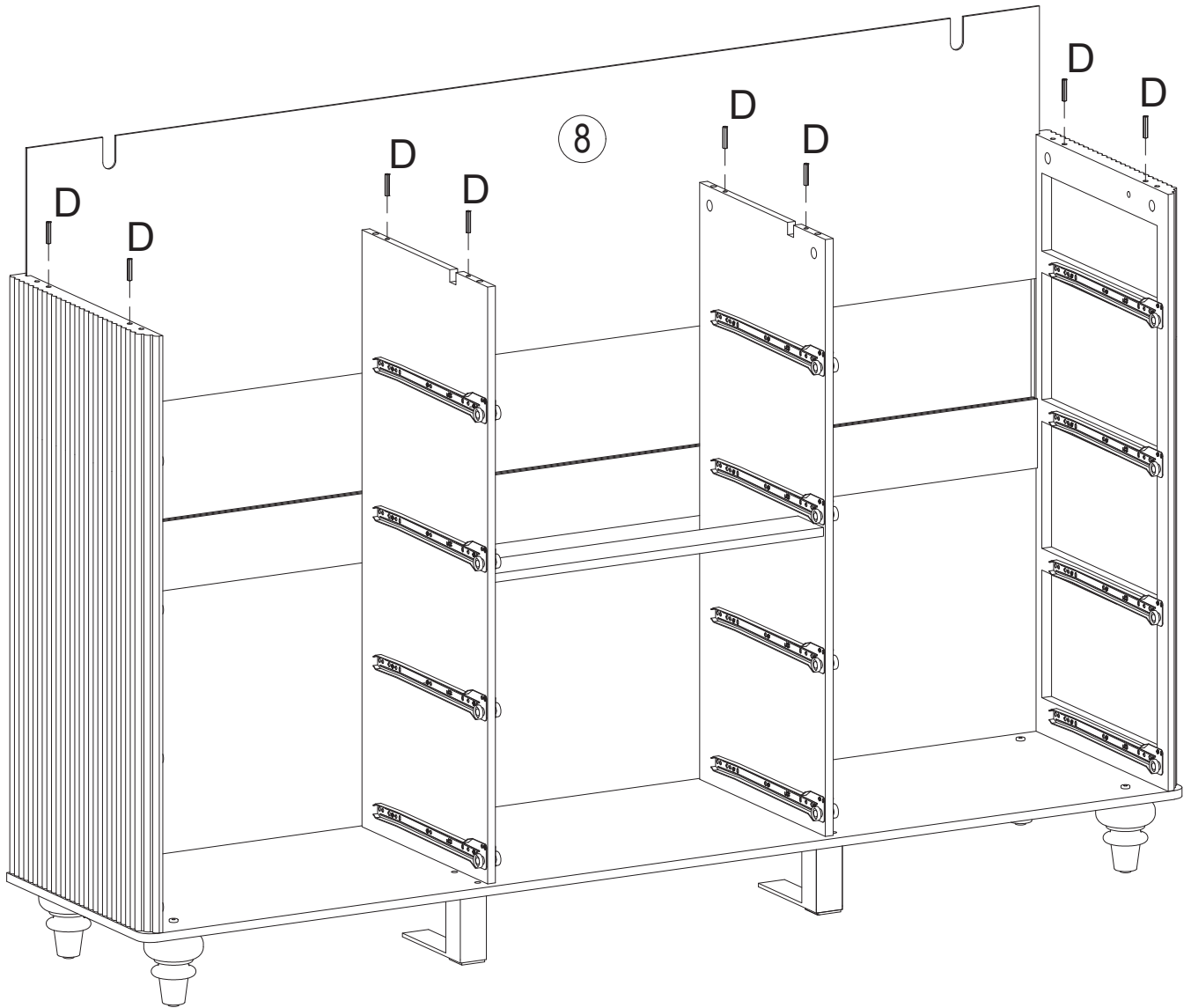
STET 15



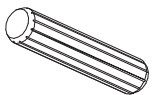
No. M
Quantity: 2 PCS
Foot Pad
35x35x3mm



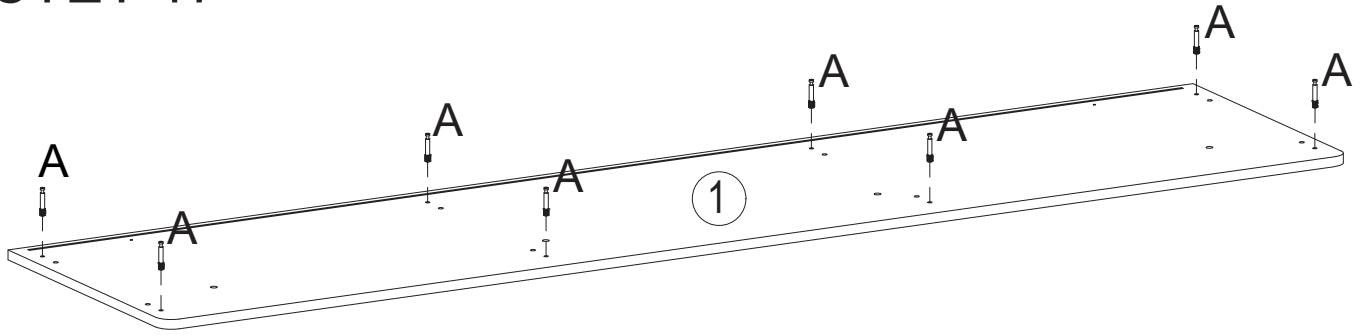
STET 16



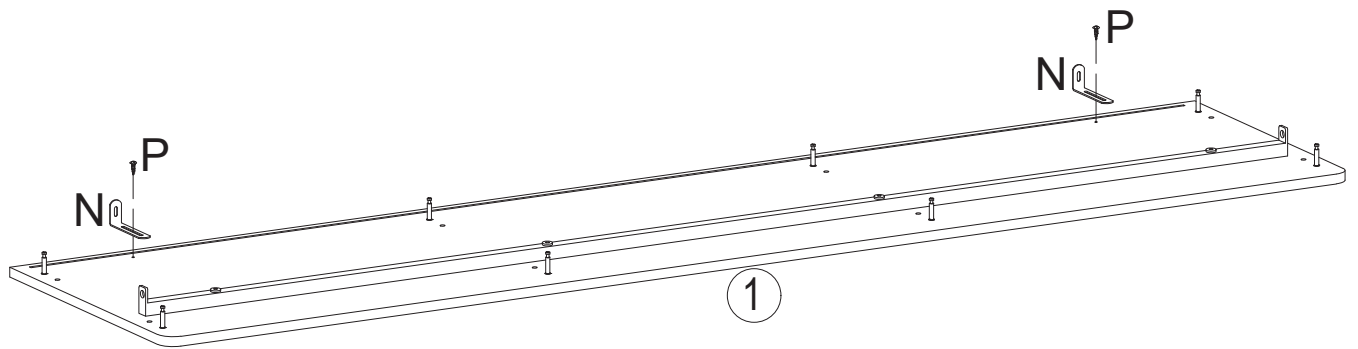
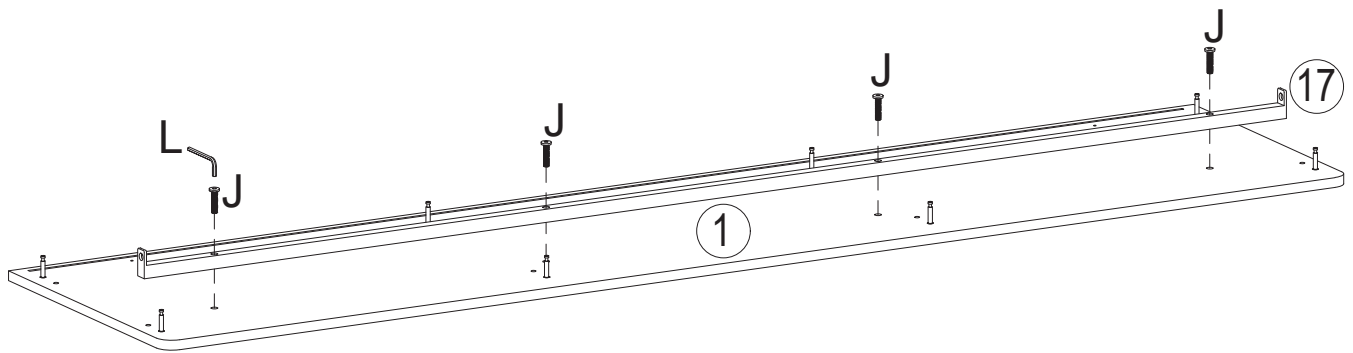
No. D
Quantity: 8 PCS
Dowel
ø6x30mm



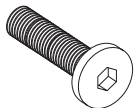
STET 17



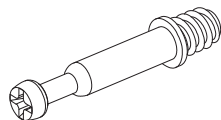
Tighten All bolt #J to 80% first.
After completing Step19,
tighten All bolt completely.



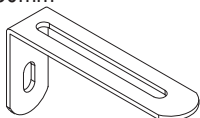
No. J
Quantity: 4 PCS
Bolt
M6x25mm



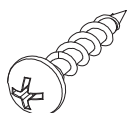
No. A
Quantity: 8 PCS
Cam Bolt
ø6x33.5mm



No. N
Quantity: 2 PCS
L-Shaped anti tipping iron
bar
76x15x30mm



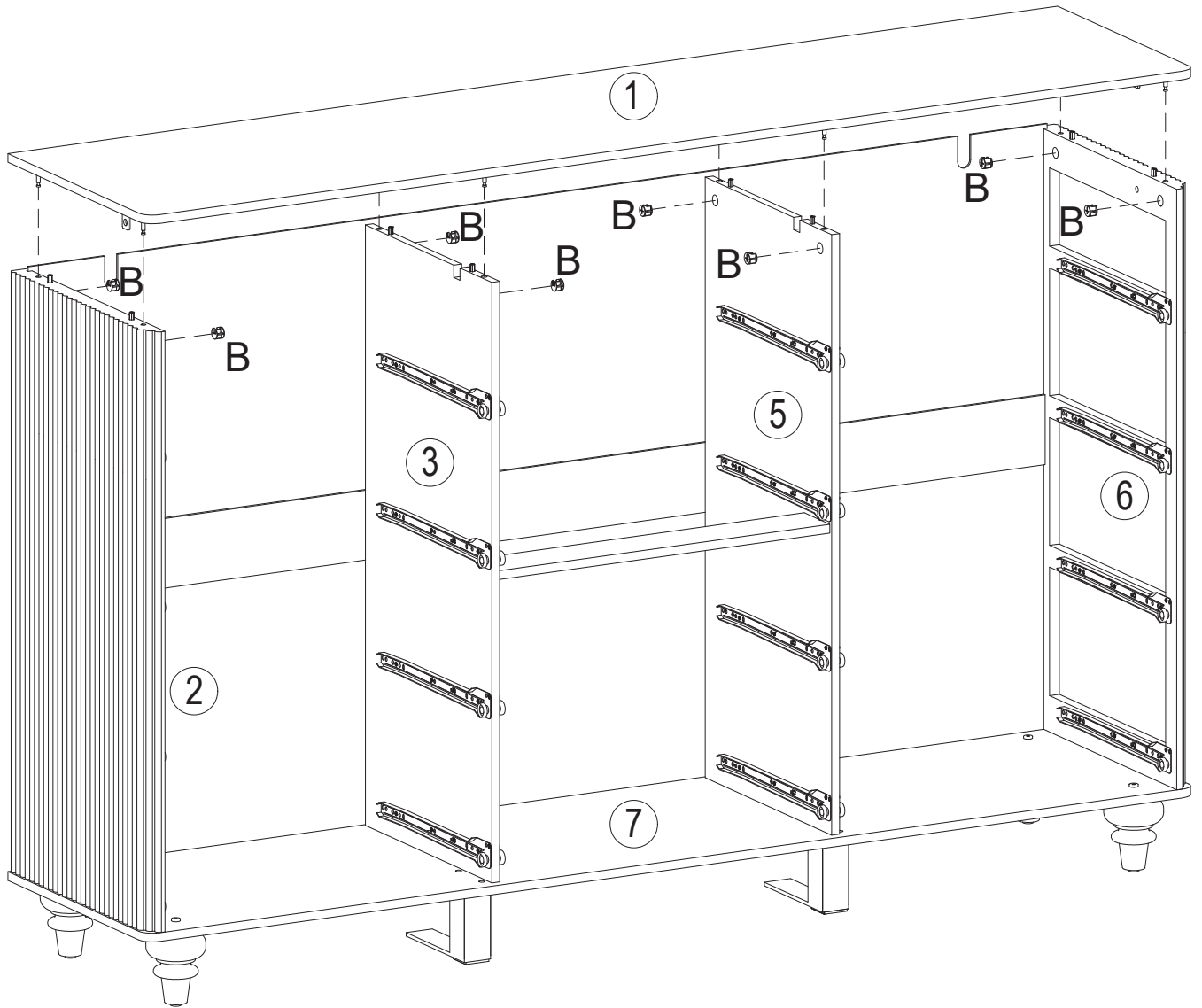
No. P
Quantity: 2 PCS
Screw
ø4x12mm



No. L
Quantity: 1 PCS
Hex Key
4mm



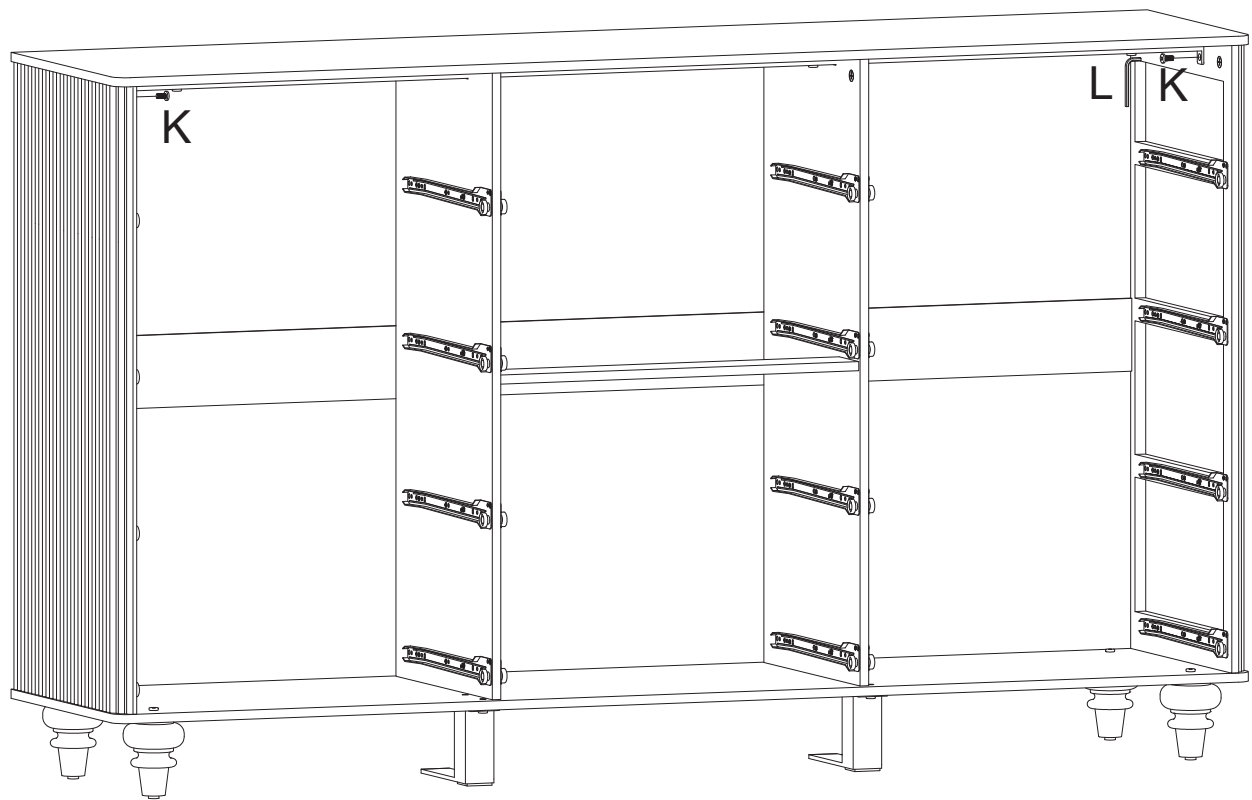
STET 18



No. B
Quantity: 8 PCS
Cam
ø15x9.5mm

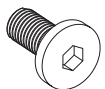


STET 19



NOTE:
Tighten all Bolt (J and K) In the #17

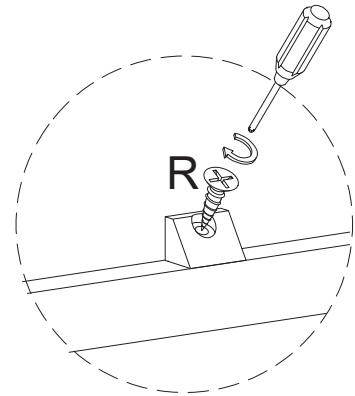
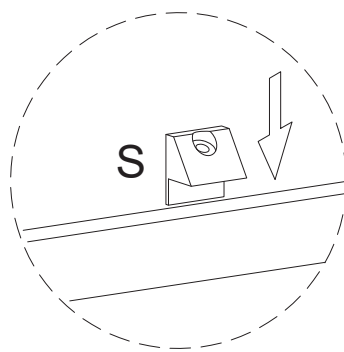
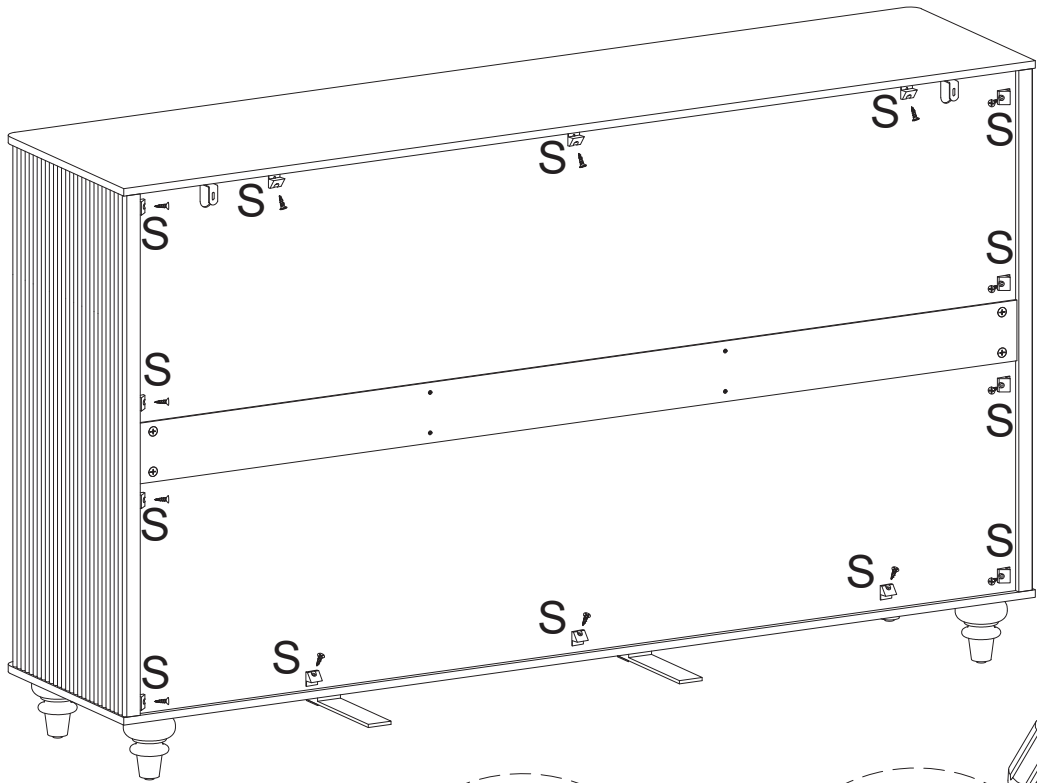
No. K
Quantity: 2 PCS
Bolt
M6x12mm



No. L
Quantity: 1 PCS
Hex Key
4mm

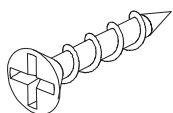


STET 20



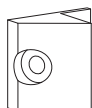
No. R

Quantity: 14 PCS
Screw
ø3x16mm

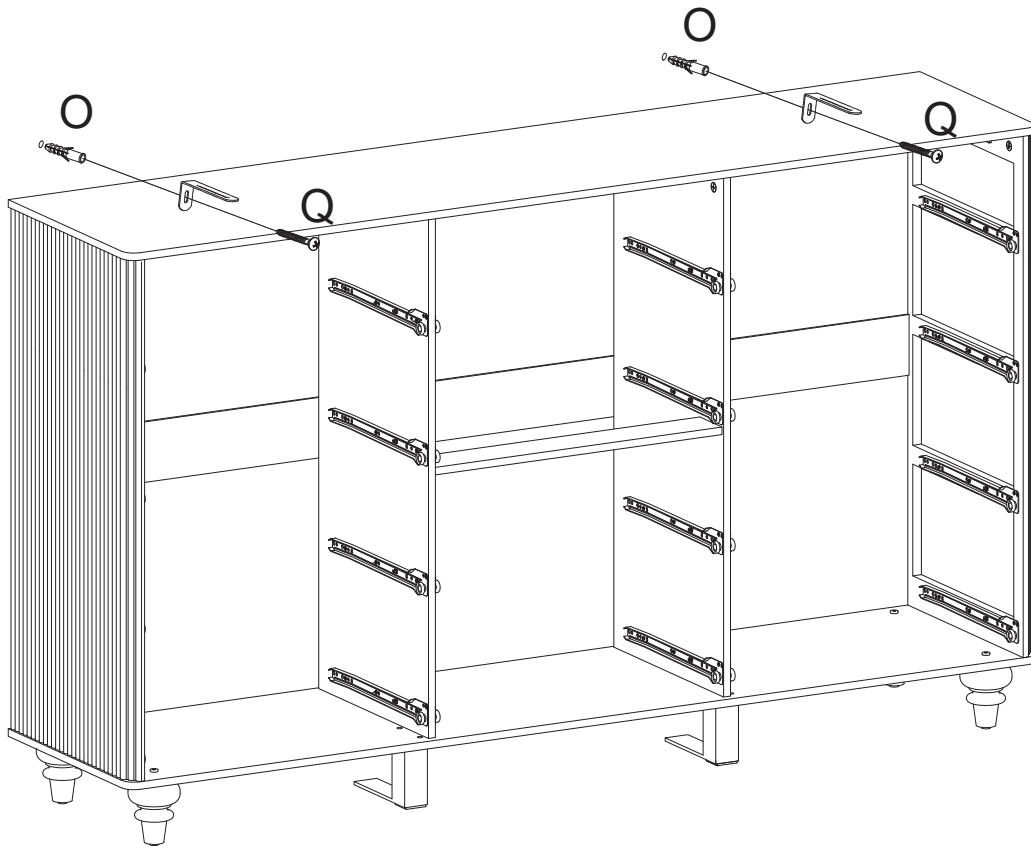
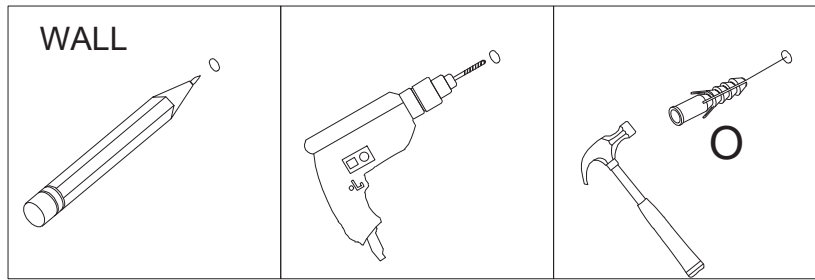


No. S

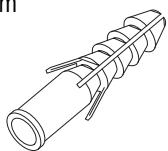
Quantity: 14 PCS
Back Buckle
15x15x10mm



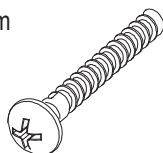
STET 21



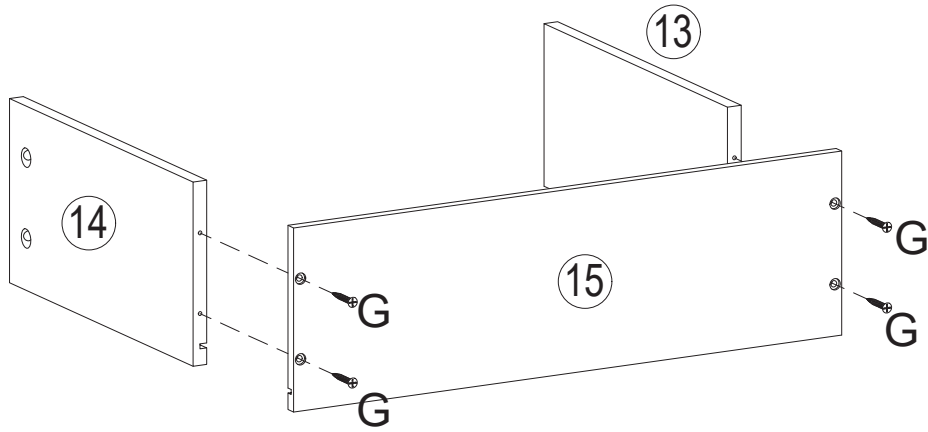
No. O
Quantity: 2 PCS
Plastic Expansion
ø8x40mm



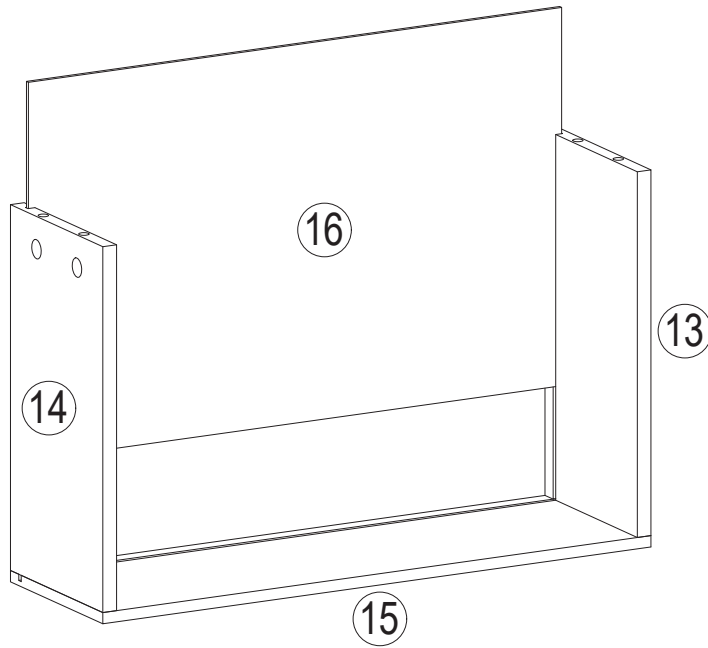
No. Q
Quantity: 2 PCS
Screw
ø4x38mm



STET 22

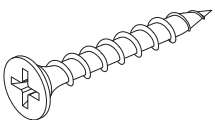


x12

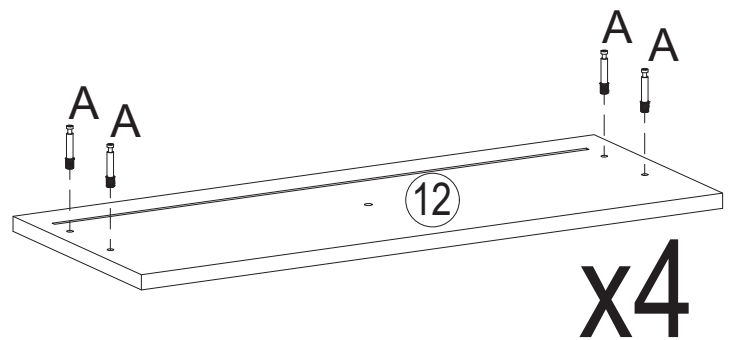
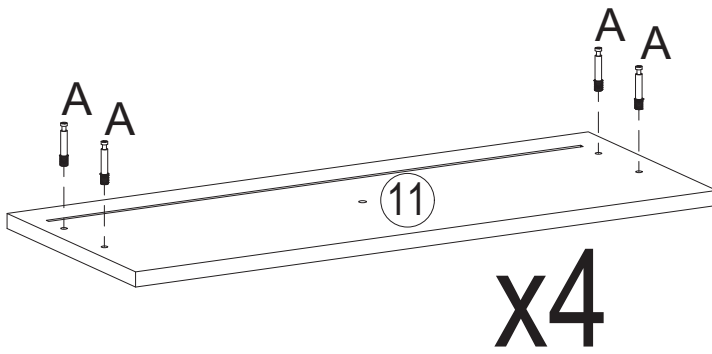
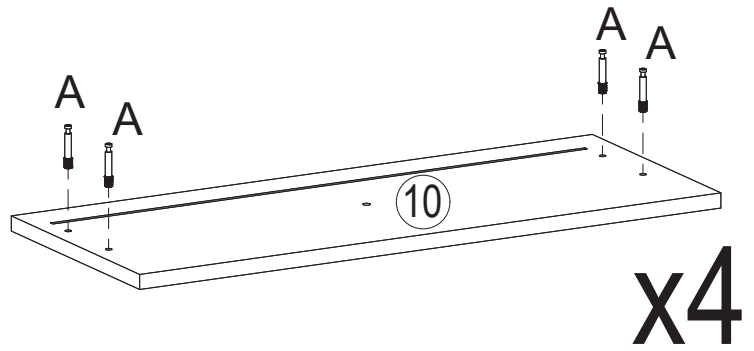


x12

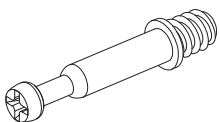
No. G
Quantity: 48 PCS
Screw
ø4x30mm



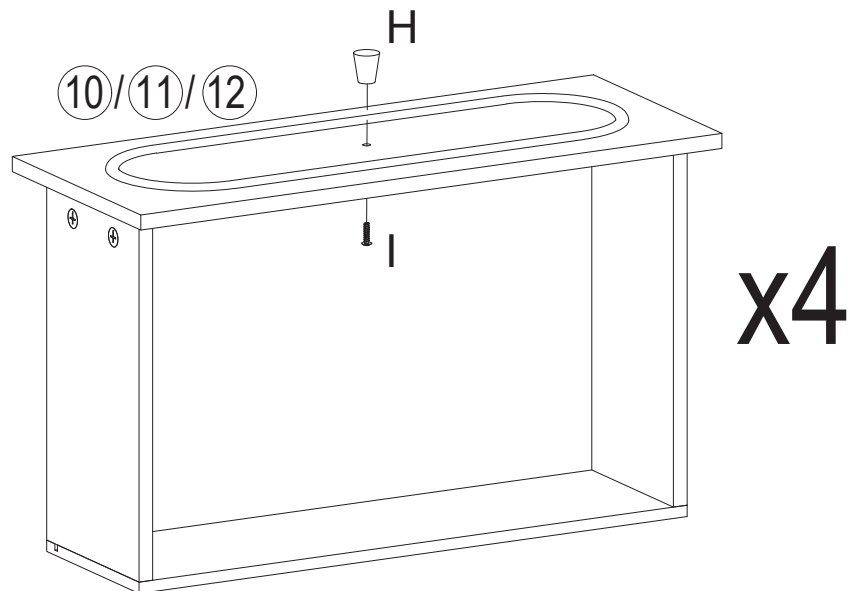
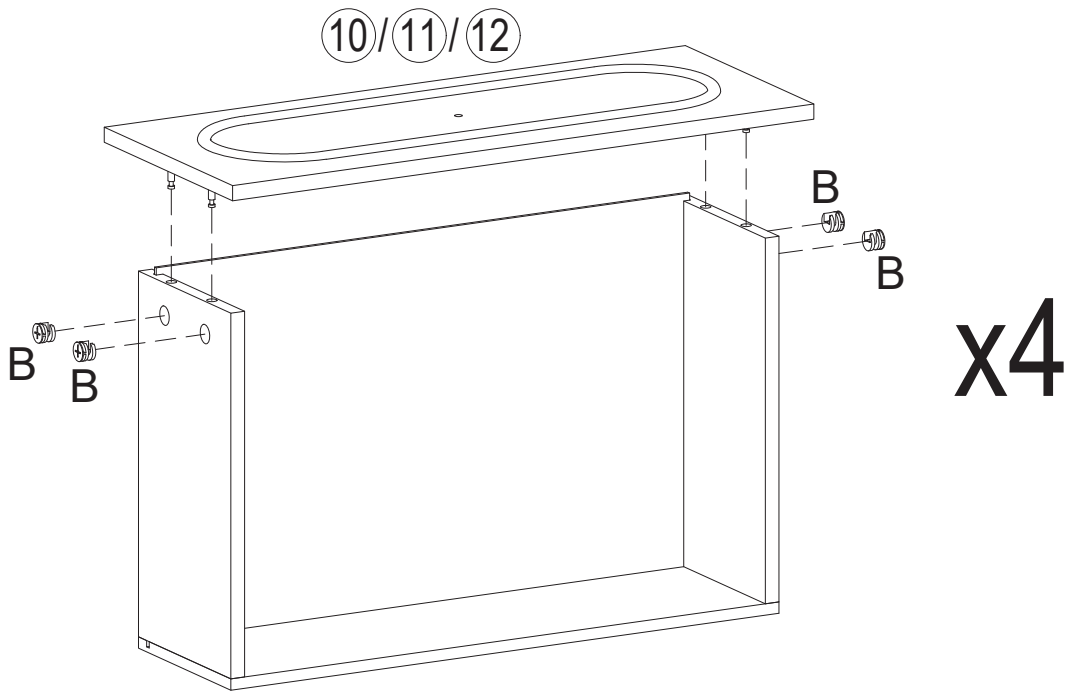
STET 23



No. A
Quantity: 48 PCS
Cam Bolt
ø6x33.5mm



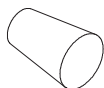
STET 24



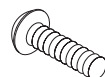
No. B
Quantity: 48 PCS
Cam
ø15x9.5mm



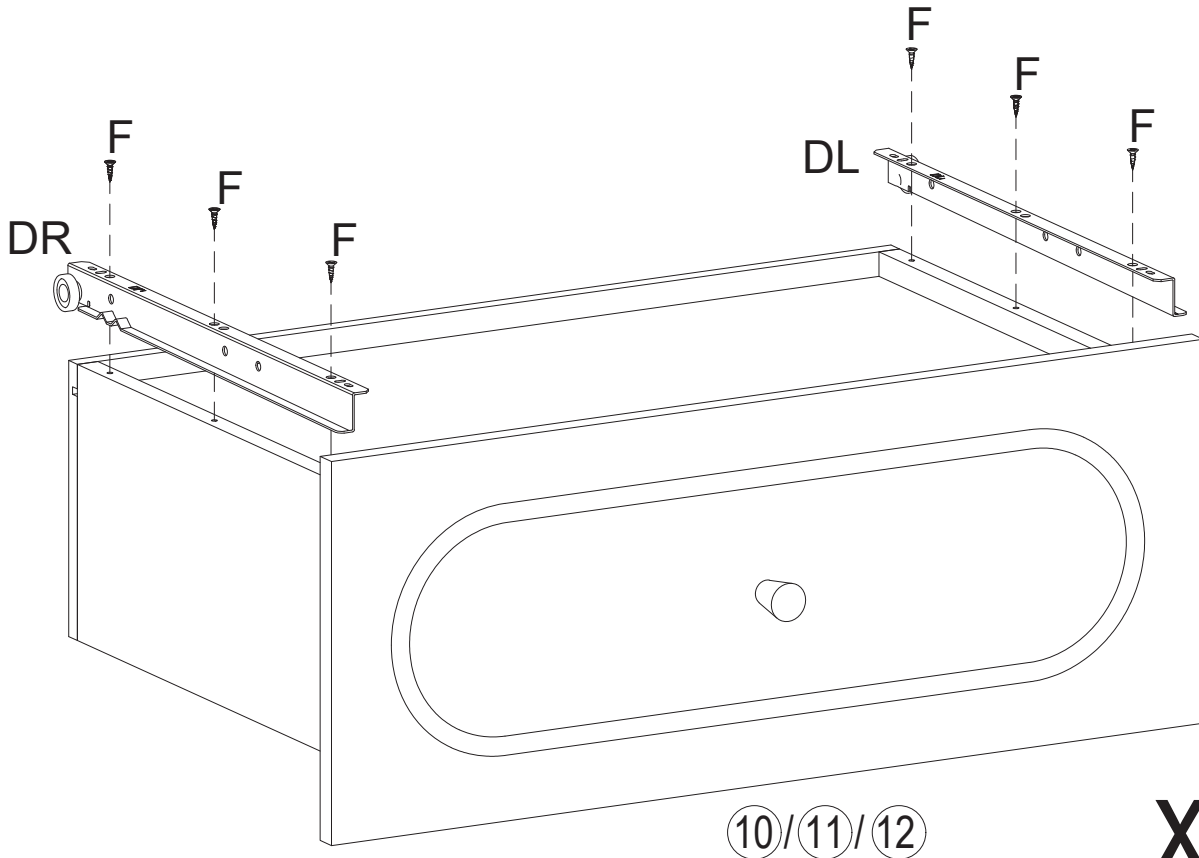
No. H
Quantity: 12 PCS
Handle
ø20x23mm



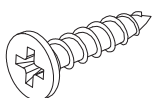
No. I
Quantity: 12 PCS
Screw
M4x16mm



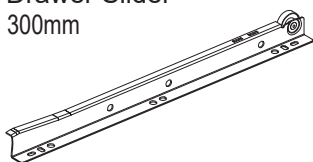
STET 25



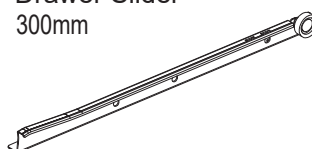
No. F
Quantity: 72 PCS
Screw
ø3.5x12mm



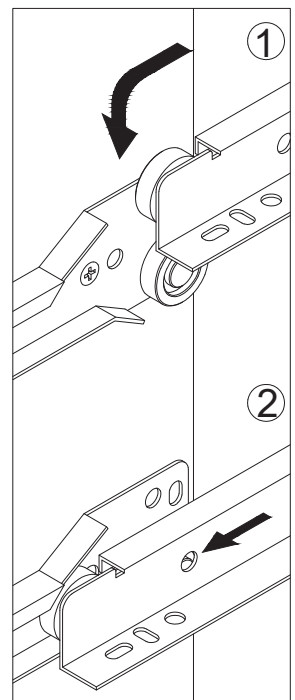
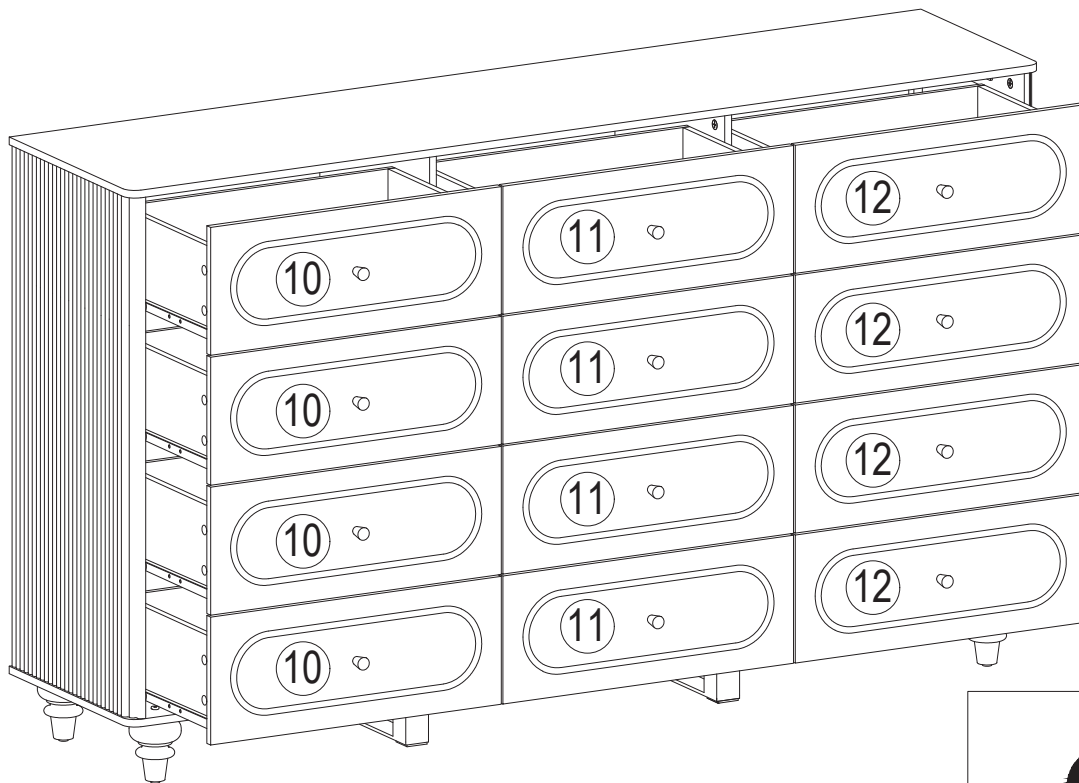
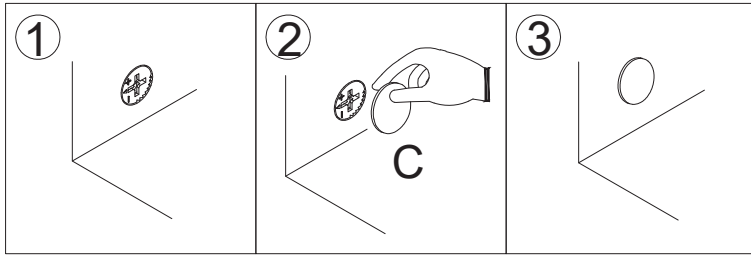
No. DL
Quantity: 12 PCS
Drawer Slider
300mm



No. DR
Quantity: 12 PCS
Drawer Slider
300mm



STET 22



No. C
Quantity: 62 PCS
Sticker
ø20mm



