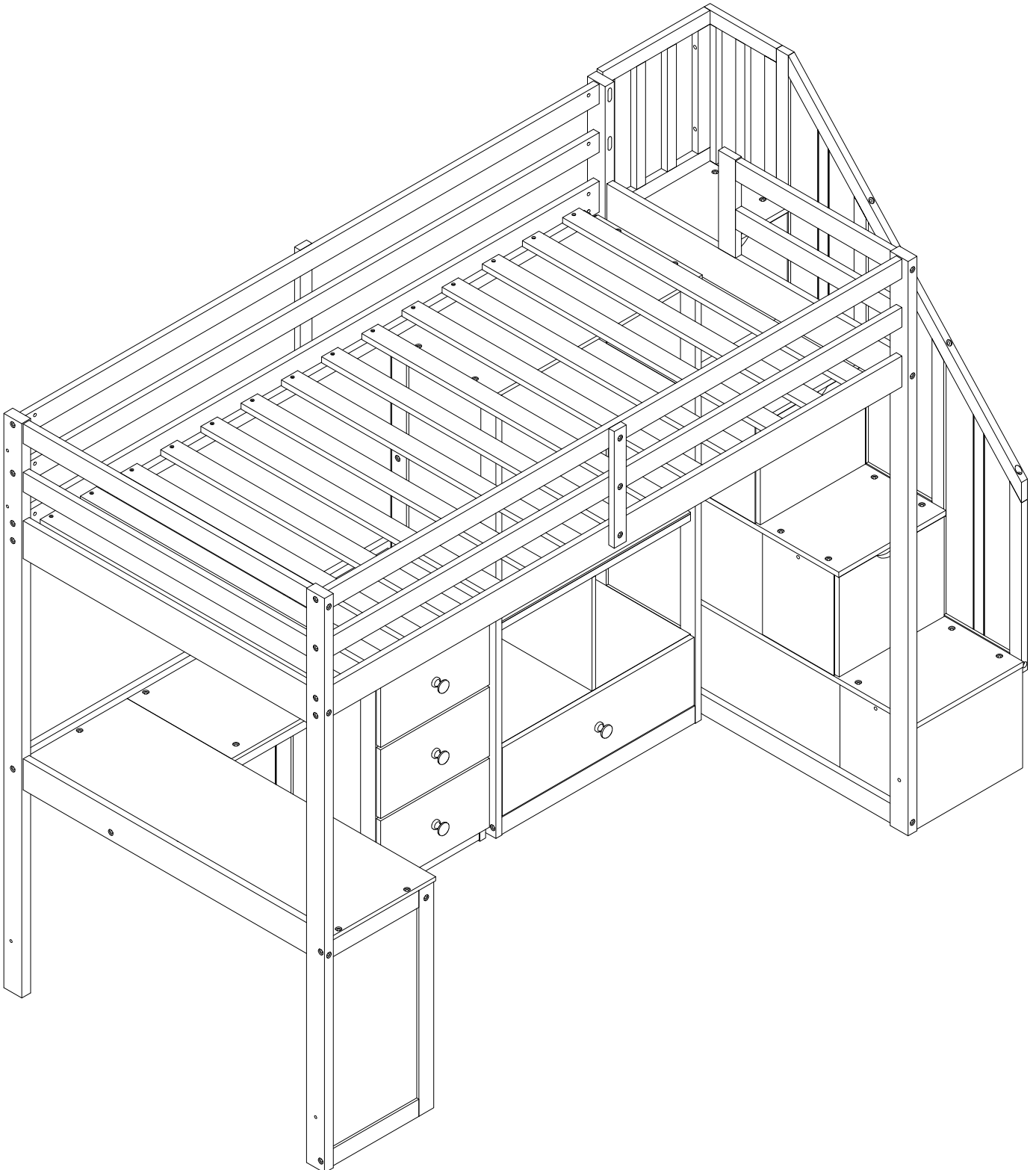


## ASSEMBLY INSTRUCTION

**This set is included 3 boxes if don't receive full 3 boxes please contact our customer service team**



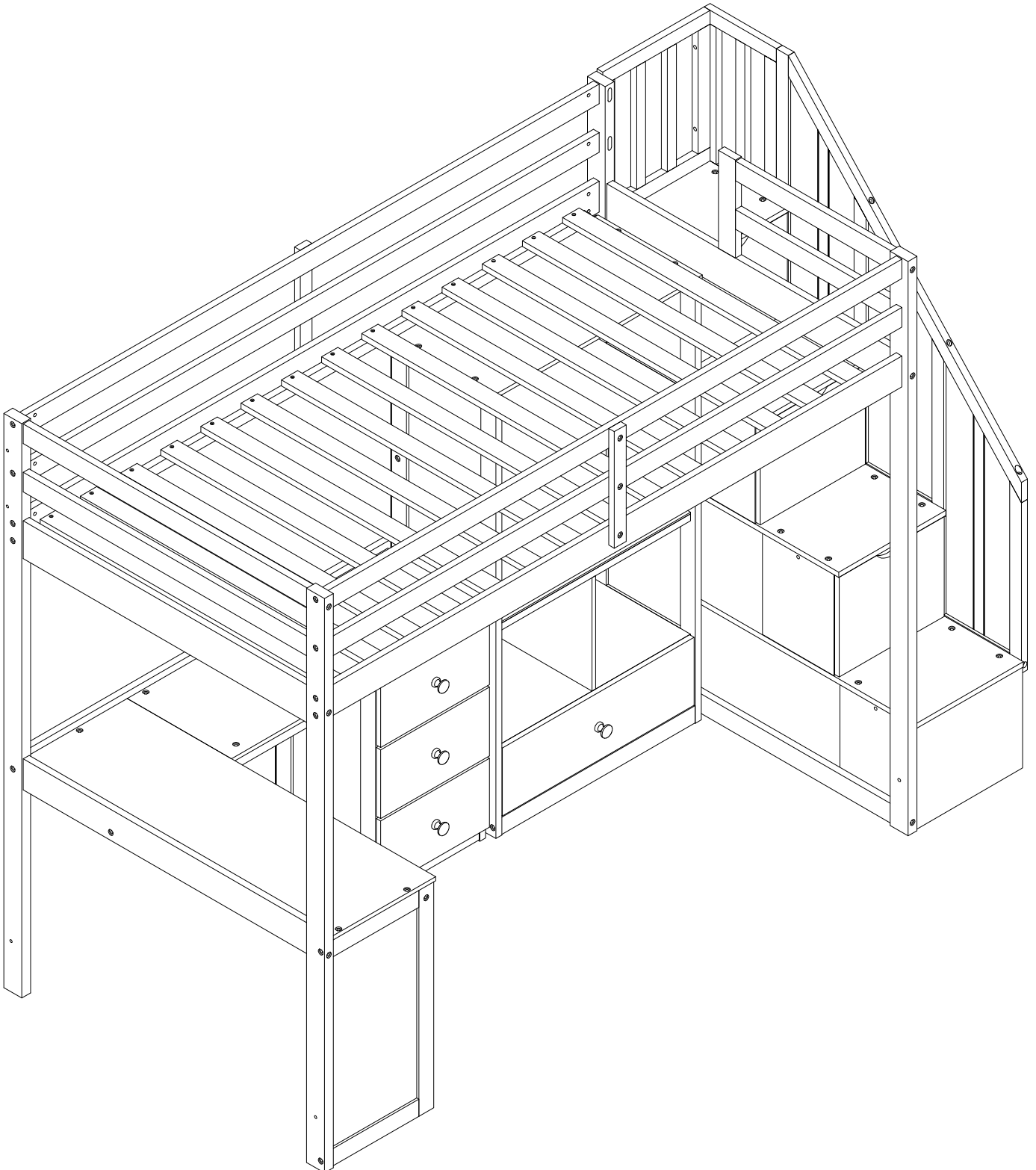
# **! SAFETY WARNINGS !**

1. This bed is designed for use only mattress (es) meeting the following specifications on the upper bunk, and lower bunk

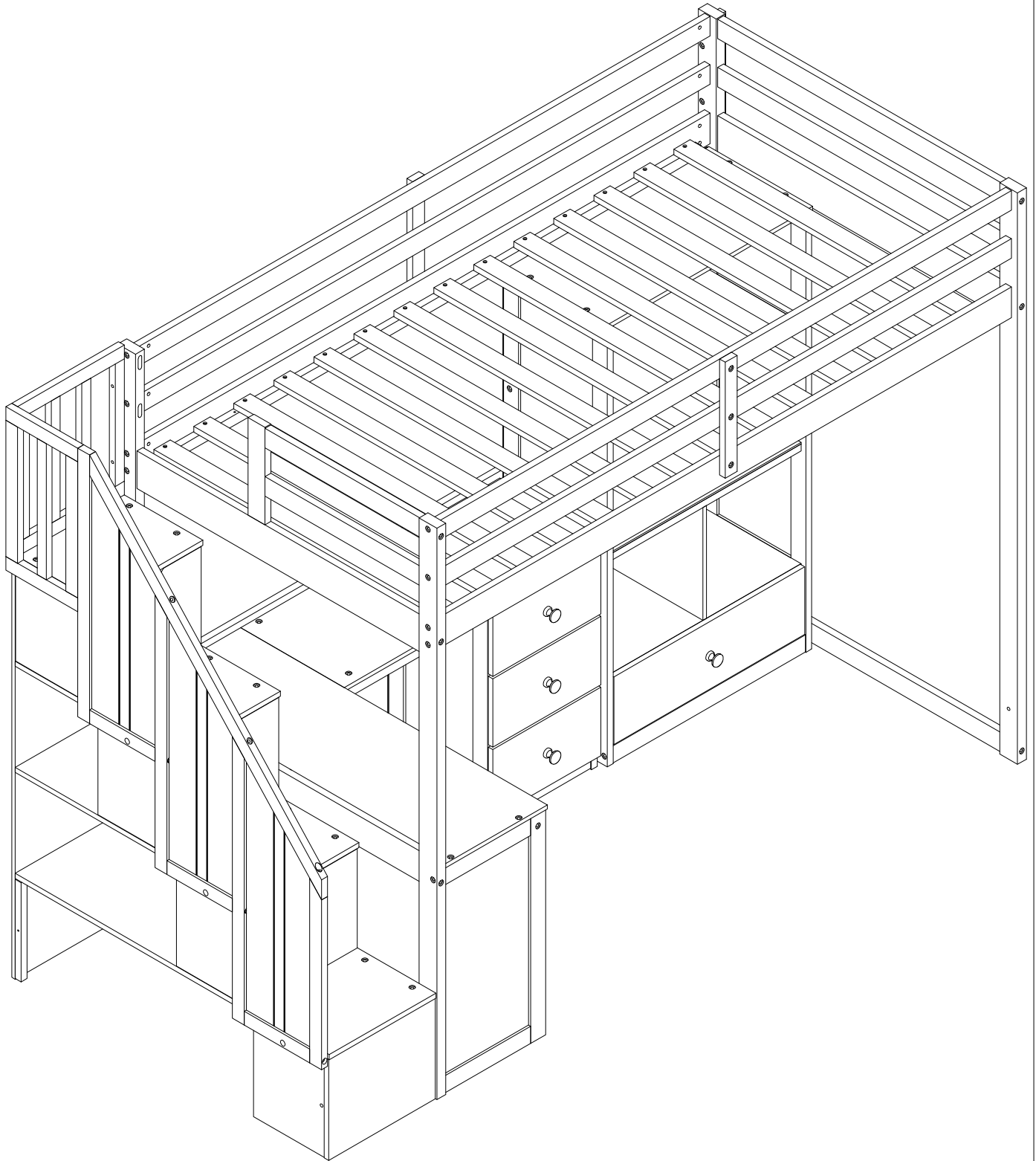
<b>Upper bed Bed Type</b>	<b>Length</b>	<b>Width</b>	<b>Thickness</b>
<i>Twin Standard</i>	<i>74" - 75"</i>	<i>38 1/2"</i>	<i>6" max</i>

2. Replacement parts, including additional guardrails, maybe obtained from any of our dealers
3. Follow the information on the warnings appearing on the upper bunk bed end structure and on the carton. Do not remove warning label from bed
4. Always use the recommended size mattresses or mattress supports, or both, to help prevent the likelihood of entrapment or falls.
5. Surface of mattress must be at least 5" (127mm) below the upper edge of guardrails
6. Do not allow children under 6 years of age to use the upper bunk.
7. Periodically check and ensure that the guardrail, ladder, and other components are in their proper position, free from damage, and that all connectors are tight.
8. Do not allow horseplay on or under the bed and prohibit jumping on the bed.
9. Always use the ladder for entering and leaving the upper bunkAlways use the ladder for entering and leaving the upper bunk.
10. Do not use substitute part. Contact the manufacture or dealer for replacement part
11. Use of a night light may provide added safety precaution for a child using the upper bunk..
12. Always use guardrails on both long sides of the upper bunk. If the bunk bed will be placed next to the wall, the guardrail that runs the full length of the bed should be placed against the wall to prevent entrapment between the bed and wall.
13. The use of water or sleep flotation mattresses is prohibited
14. STRANGULATION HAZARD - Never attach or hang items to any part of the bunk bed that are not designed for use with the bed; for example, but not limited to, hook, belts and jump ropes
15. Keep these instruction for future reference
16. Prohibit more than one person on upper bunk
17. We recommend assembling your bunk bed on the shipping carton to protect your floor or carpet
18. Be certain all staples are out of the box before beginning assembly on the shipping carton.

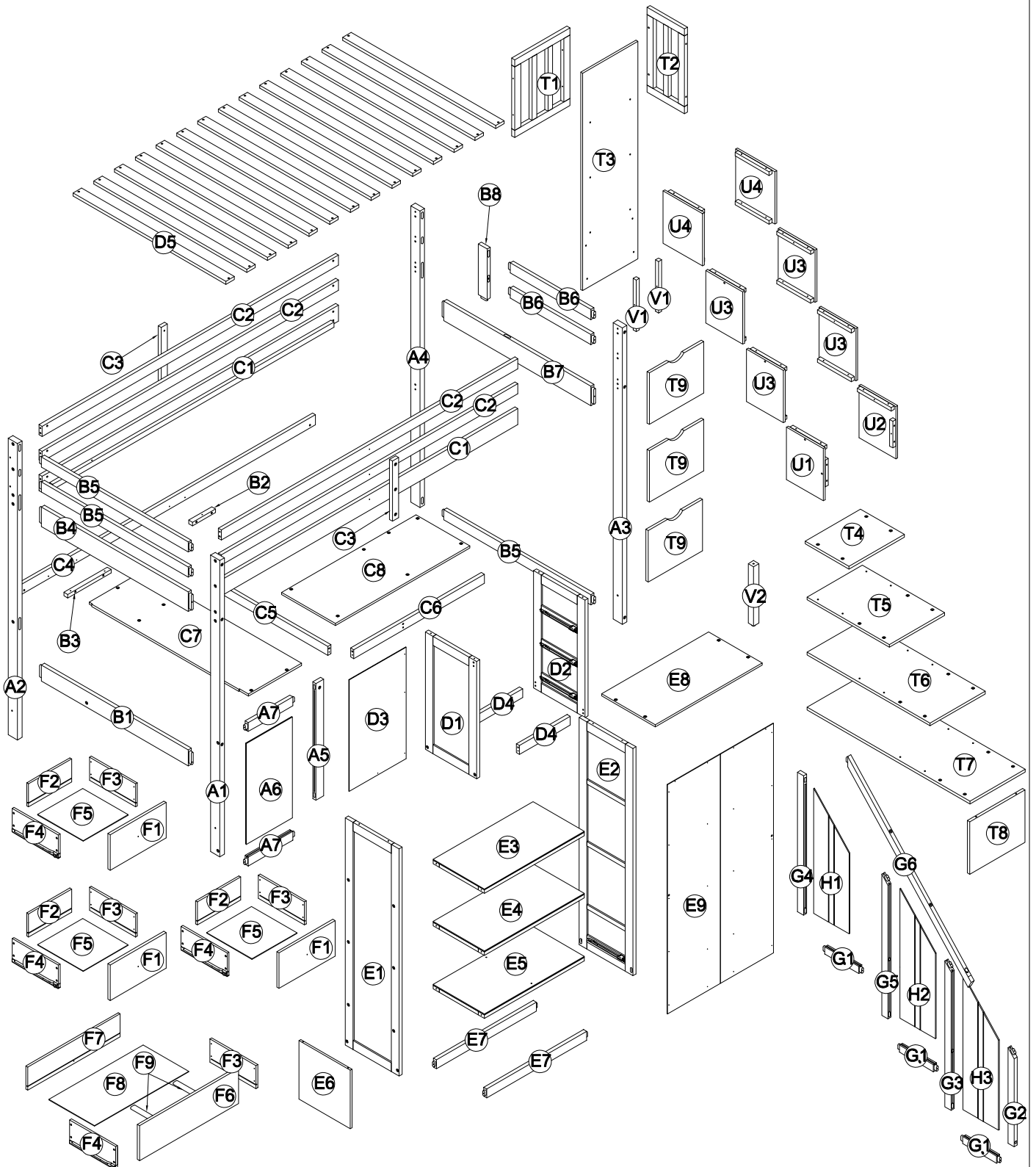
# OPTION 1: STAIR IN RIGHT




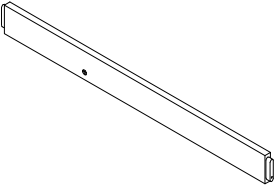
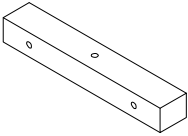
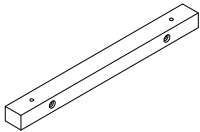
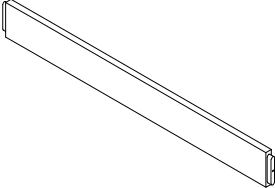


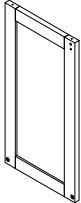
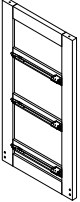
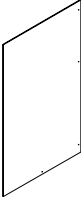

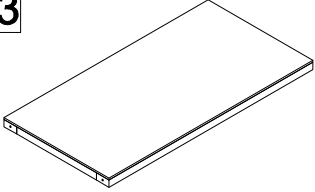
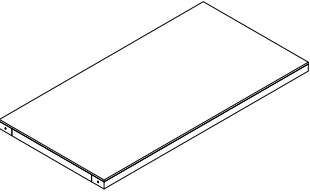
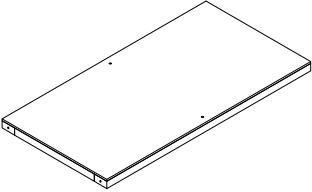
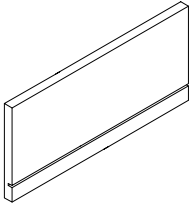
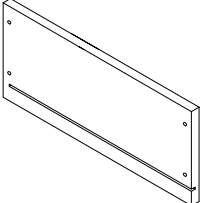
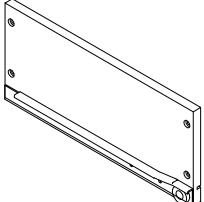
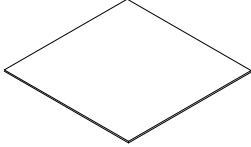
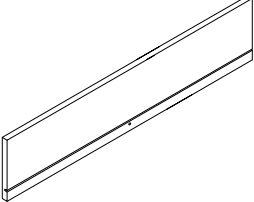
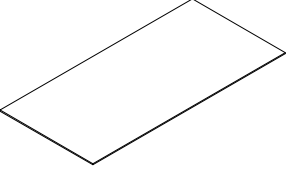
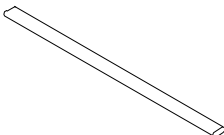
## OPTION 2: STAIR IN LEFT






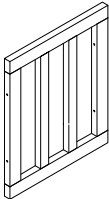
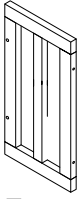
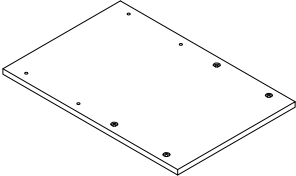
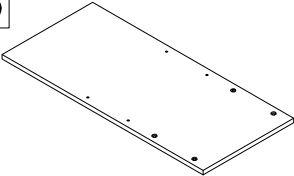
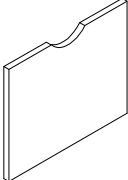


# ASSEMBLY INSTRUCTION








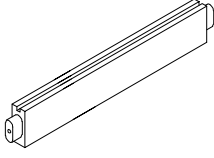
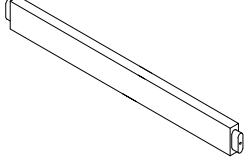
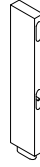
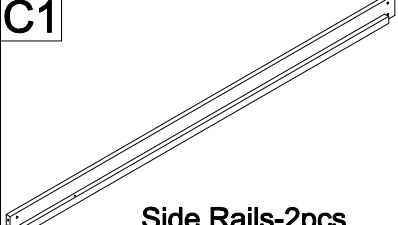
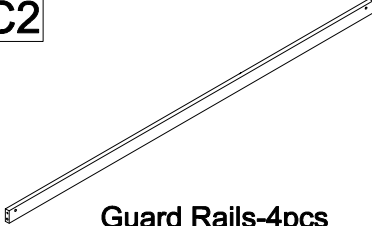

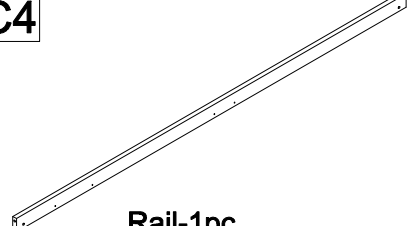
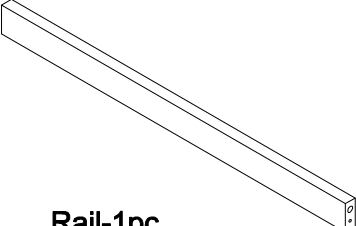
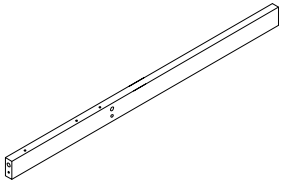
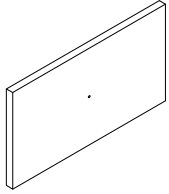
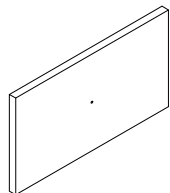
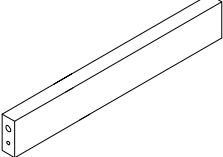
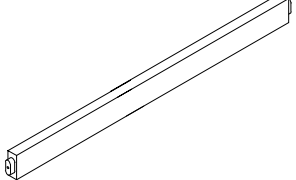
# Part List & Hardware List Box 1

<p><b>A6</b></p>  <p>Panel-1pc</p>	<p><b>B1</b></p>  <p>Wood bar-1pc</p>	<p><b>B2</b></p>  <p>Client-1pc</p>
<p><b>B3</b></p>  <p>Client-1pc</p>	<p><b>B4</b></p>  <p>Wood bar-1pc</p>	<p><b>B5</b></p>  <p>Wood bars-3pcs</p>
<p><b>B7</b></p>  <p>Wood bar-1pc</p>	<p><b>D1</b></p>  <p>Frame-1pc</p>	<p><b>D2</b></p>  <p>Frame-1pc</p>
<p><b>D3</b></p>  <p>Frame-1pc</p>	<p><b>D5</b></p>  <p>Slats-14pcs</p>	<p><b>E3</b></p>  <p>Panel-1pc</p>
<p><b>E4</b></p>  <p>Panel-1pc</p>	<p><b>E5</b></p>  <p>Panel-1pc</p>	<p><b>F2</b></p>  <p>Drawer-Back panels-3pcs</p>
<p><b>F3</b></p>  <p>Drawer-Side panels-4pcs</p>	<p><b>F4</b></p>  <p>Drawer-Side panels-4pcs</p>	<p><b>F5</b></p>  <p>Drawer-Bottom panels-3pcs</p>
<p><b>F7</b></p>  <p>Drawer-Back panel-1pc</p>	<p><b>F8</b></p>  <p>Drawer-Bottom panel-1pc</p>	<p><b>F9</b></p>  <p>Drawer-Sup Bottom panels-2pcs</p>


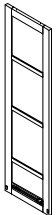
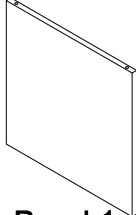
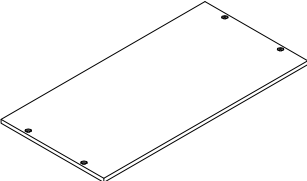
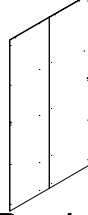
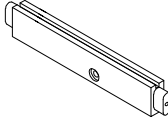




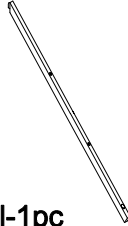
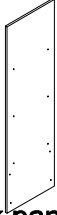
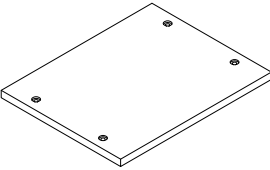
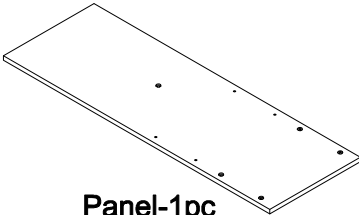
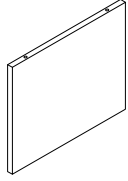
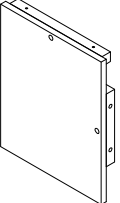
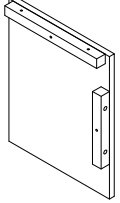
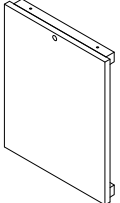
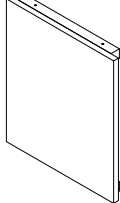
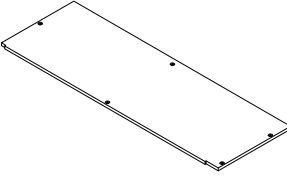
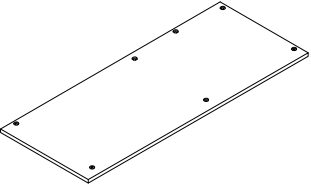
# Part List & Hardware List Box1

<b>H1</b>  Panel-1pc	<b>H2</b>  Panel-1pc	<b>H3</b>  Panel-1pc
<b>T1</b>  Back Frame-1pc	<b>T2</b>  Side Frame-1pc	<b>T5</b>  Panel-1pc
<b>T6</b>  Panel-1pc	<b>T9</b>  Door Panels-3pcs	<b>V1</b>  Clients-2pcs
<b>V2</b>  Center leg-1pc		

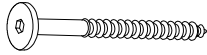

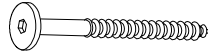
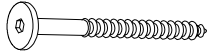
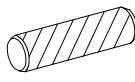
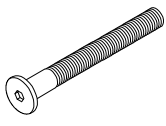

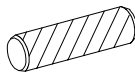
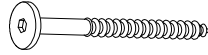
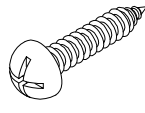

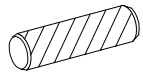
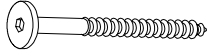
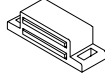
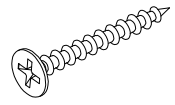



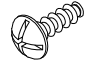

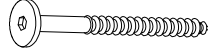
# Part List Box 2

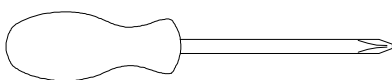
<p><b>A1</b></p>  <p>Leg-1pc</p>	<p><b>A2</b></p>  <p>Leg-1pc</p>	<p><b>A3</b></p>  <p>Leg-1pc</p>
<p><b>A4</b></p>  <p>Leg-1pc</p>	<p><b>A5</b></p>  <p>Leg(Table)-1pc</p>	<p><b>A7</b></p>  <p>Wood bars-2pcs</p>
<p><b>B6</b></p>  <p>Wood bars-2pcs</p>	<p><b>B8</b></p>  <p>Wood bar-1pc</p>	<p><b>C1</b></p>  <p>Side Rails-2pcs</p>
<p><b>C2</b></p>  <p>Guard Rails-4pcs</p>	<p><b>C3</b></p>  <p>Rails-2pcs</p>	<p><b>C4</b></p>  <p>Rail-1pc</p>
<p><b>C5</b></p>  <p>Rail-1pc</p>	<p><b>C6</b></p>  <p>Rail-1pc</p>	<p><b>F6</b></p>  <p>Drawer-Front panel-1pc</p>
<p><b>F1</b></p>  <p>Drawer-Front panels-3pcs</p>	<p><b>D4</b></p>  <p>Wood bars-2pcs</p>	<p><b>E7</b></p>  <p>Wood bars-2pcs</p>

# Part List Box 3

<p><b>E1</b></p>  <p>Frame-1pc</p>	<p><b>E2</b></p>  <p>Frame-1pc</p>	<p><b>E6</b></p>  <p>Panel-1pc</p>
<p><b>E8</b></p>  <p>Top Panel-1pc</p>	<p><b>E9</b></p>  <p>Back Panel-1pc</p>	<p><b>G1</b></p>  <p>Rails-3pcs</p>
<p><b>G2</b></p>  <p>Rail-1pc</p>	<p><b>G3</b></p>  <p>Rail-1pc</p>	<p><b>G4</b></p>  <p>Rail-1pc</p>
<p><b>G5</b></p>  <p>Rail-1pc</p>	<p><b>G6</b></p>  <p>Rail-1pc</p>	<p><b>T3</b></p>  <p>Back panel-1pc</p>
<p><b>T4</b></p>  <p>Panel-1pc</p>	<p><b>T7</b></p>  <p>Panel-1pc</p>	<p><b>T8</b></p>  <p>Panel-1pc</p>
<p><b>U1</b></p>  <p>Side Frame-1pc</p>	<p><b>U2</b></p>  <p>Side Frame-1pc</p>	<p><b>U3</b></p>  <p>Side Frames-4pcs</p>
<p><b>U4</b></p>  <p>Side Frames-2pcs</p>	<p><b>C7</b></p>  <p>Panel(Table)-1pc</p>	<p><b>C8</b></p>  <p>Panel(Table)-1pc</p>

# Hardware List Box 1

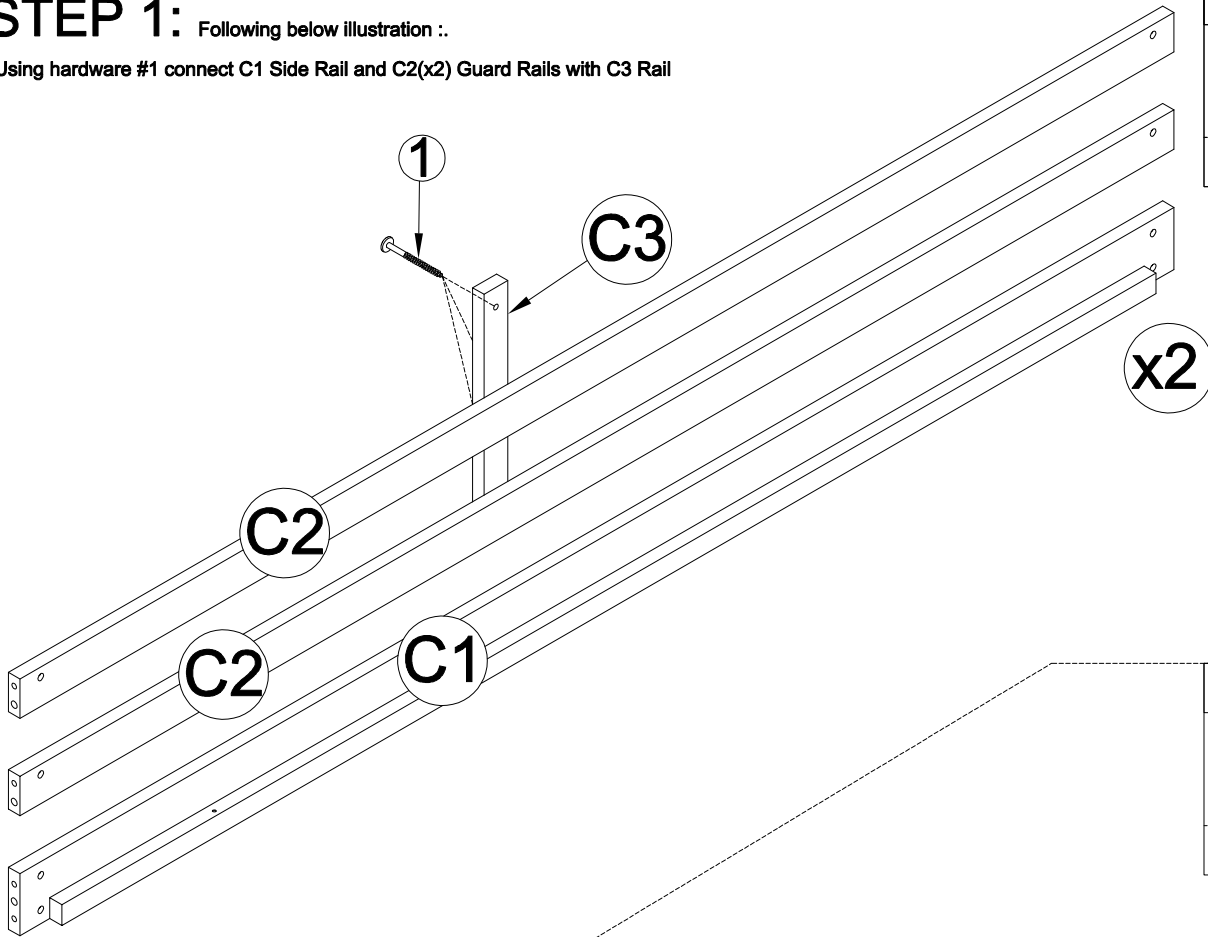
<p><b>1</b></p>  <p>Screws 1/4" x30 50pcs</p>	<p><b>2</b></p>  <p>M4 x 35 mm Wood Screws 4pcs</p>	<p><b>3</b></p>  <p>Screws 1/4" x100 1pc</p>
<p><b>4</b></p>  <p>Screws 1/4" x80 11pcs</p>	<p><b>5</b></p>  <p>Ø10 x 40 mm Wood dowel 14pcs</p>	<p><b>6</b></p>  <p>Ø1/4" x 80 mm Hex-Head bolts 18pcs</p>
<p><b>7</b></p>  <p>Ø1/4" x 13 mm Horizontal-Hole bolts 24pcs</p>	<p><b>8</b></p>  <p>Ø8 x 30 mm Wood dowel 10pcs</p>	<p><b>9</b></p>  <p>Screws 1/4" x50 14pcs</p>
<p><b>10</b></p>  <p>M4 x 15 mm Wood Screws 44pcs</p>	<p><b>11</b></p>  <p>M4 x 30 mm Wood Screws 62pcs</p>	<p><b>12</b></p>  <p>Ø6 x 30 mm Wood dowel 4pcs</p>
<p><b>13</b></p>  <p>Screws 1/4" x40 37pcs</p>	<p><b>14</b></p>  <p>Door Catches 45x17x13 6pcs</p>	<p><b>15</b></p>  <p>M3 x 12 mm Wood Screws 18pcs</p>
<p><b>16</b></p>  <p>Ø1/4" x 25 mm Hex-Head bolts 5pcs</p>	<p><b>17</b></p>  <p>Ø1/4" x 60 mm Hex-Head bolts 6pcs</p>	<p><b>18</b></p>  <p>Handle Wood 4pcs</p>
<p><b>19</b></p>  <p>Ø1/6" x 25 mm Hex-Head bolts 4pcs</p>	<p><b>20</b></p>  <p>Allen Key 1pc</p>	<p><b>21</b></p>  <p>Screws 1/4" x60 8pcs</p>

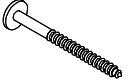



**Assembly Tools Required (Not Included)**

# STEP 1: Following below illustration .:

-Using hardware #1 connect C1 Side Rail and C2(x2) Guard Rails with C3 Rail

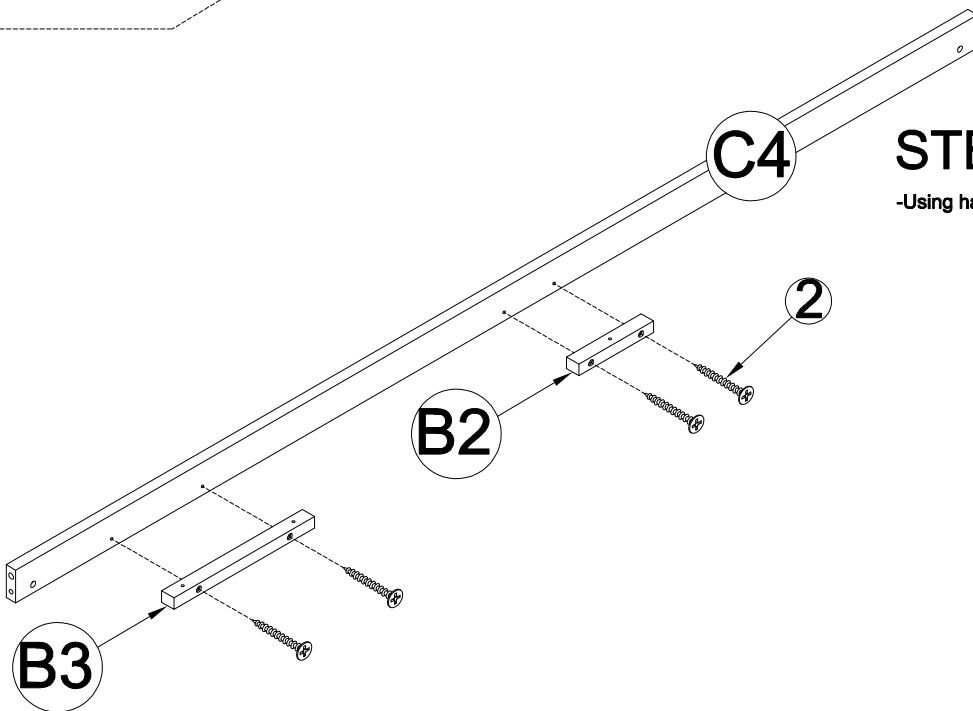


1	
6pcs	


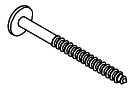
2	
4pcs	

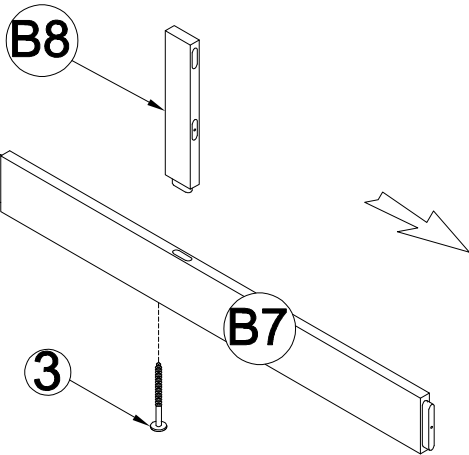
# STEP 2: Following below illustration .:

-Using hardware #2 connect C4 Rail with B2,B3 Client



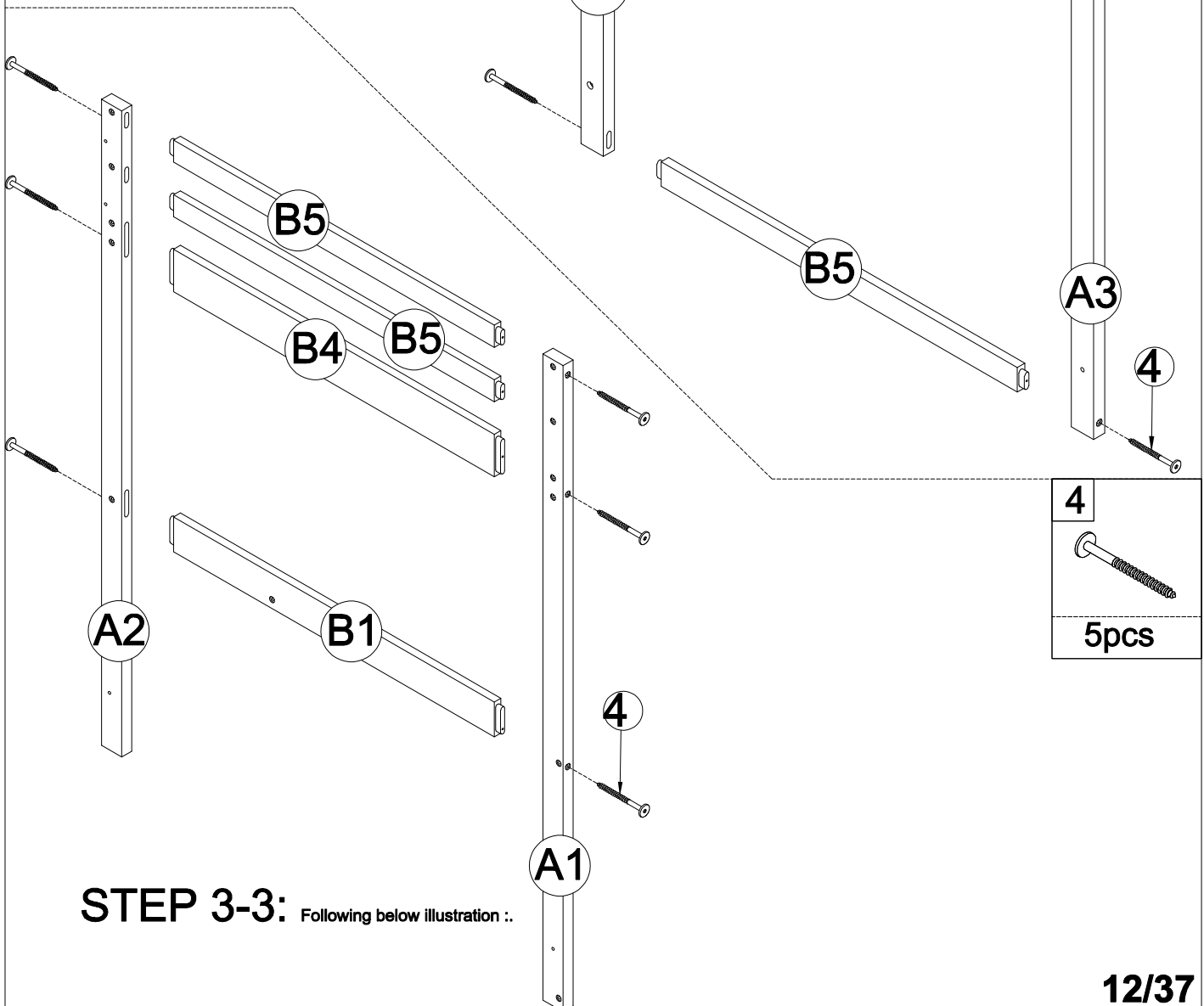
# STEP 3-OPTION 1

4	3
	
5pcs	1pc

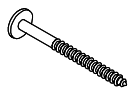


**STEP 3-1:** Following below illustration .:


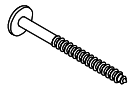
**STEP 3-2:** Following below illustration .:

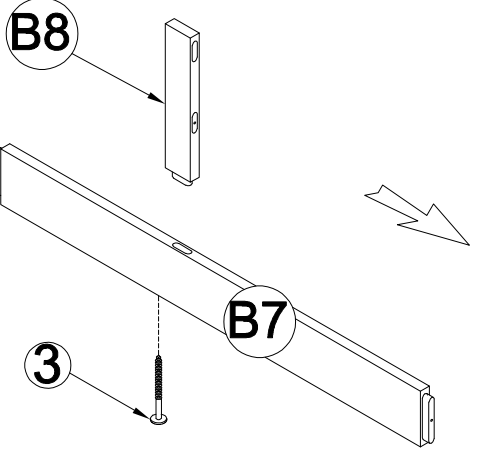


**STEP 3-3:** Following below illustration .:

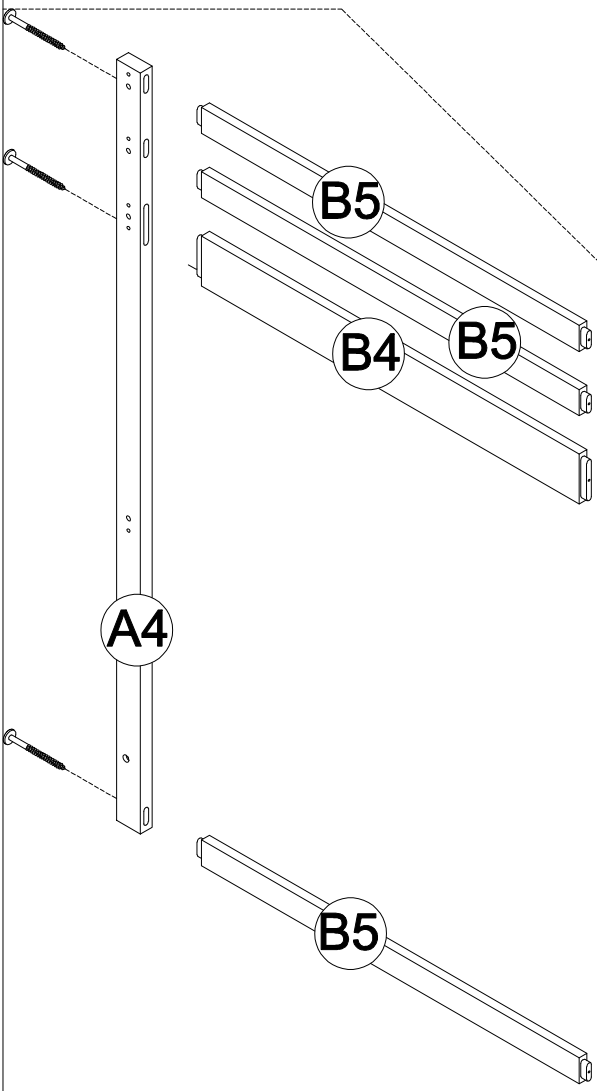
4

5pcs

# STEP 3-OPTION 2

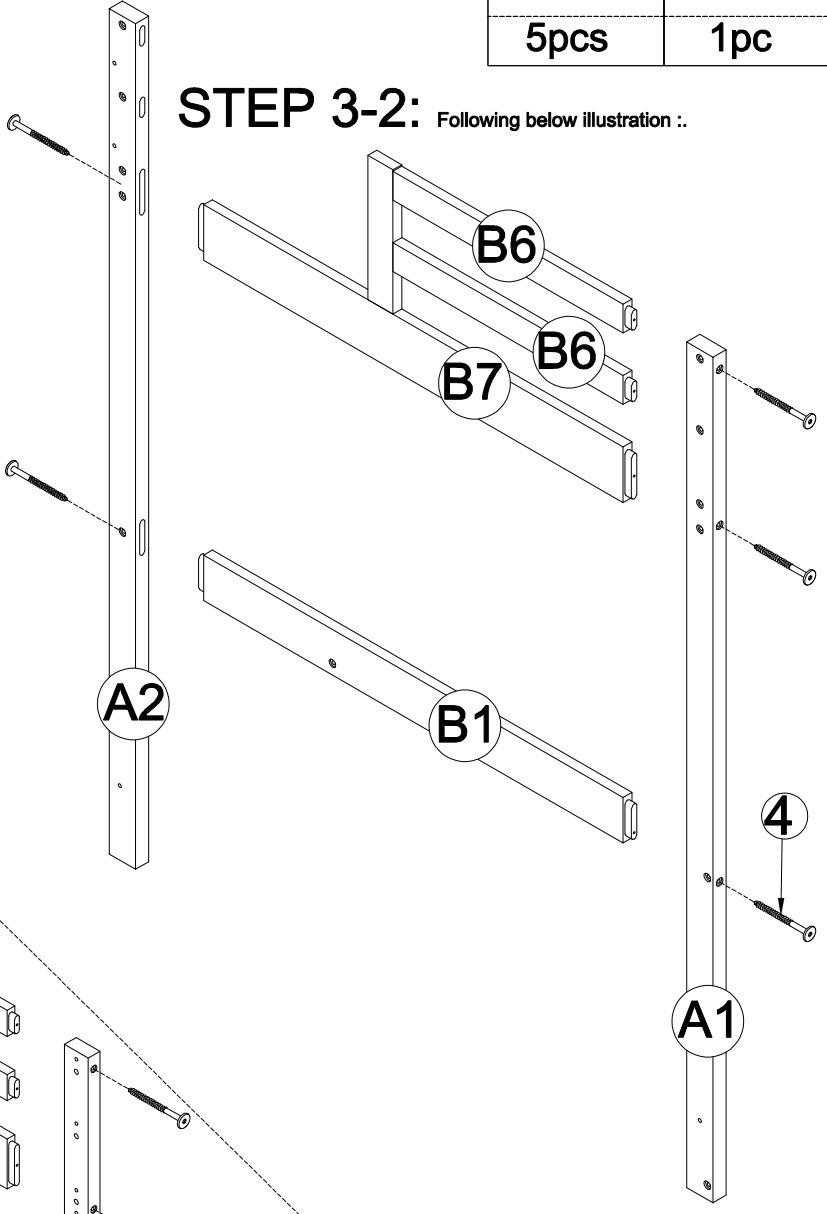
4	3
	
5pcs	1pc

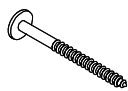


## STEP 3-1: Following below illustration .:

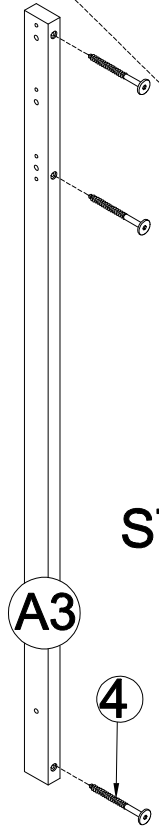


## STEP 3-2: Following below illustration .:




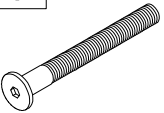

4

6pcs

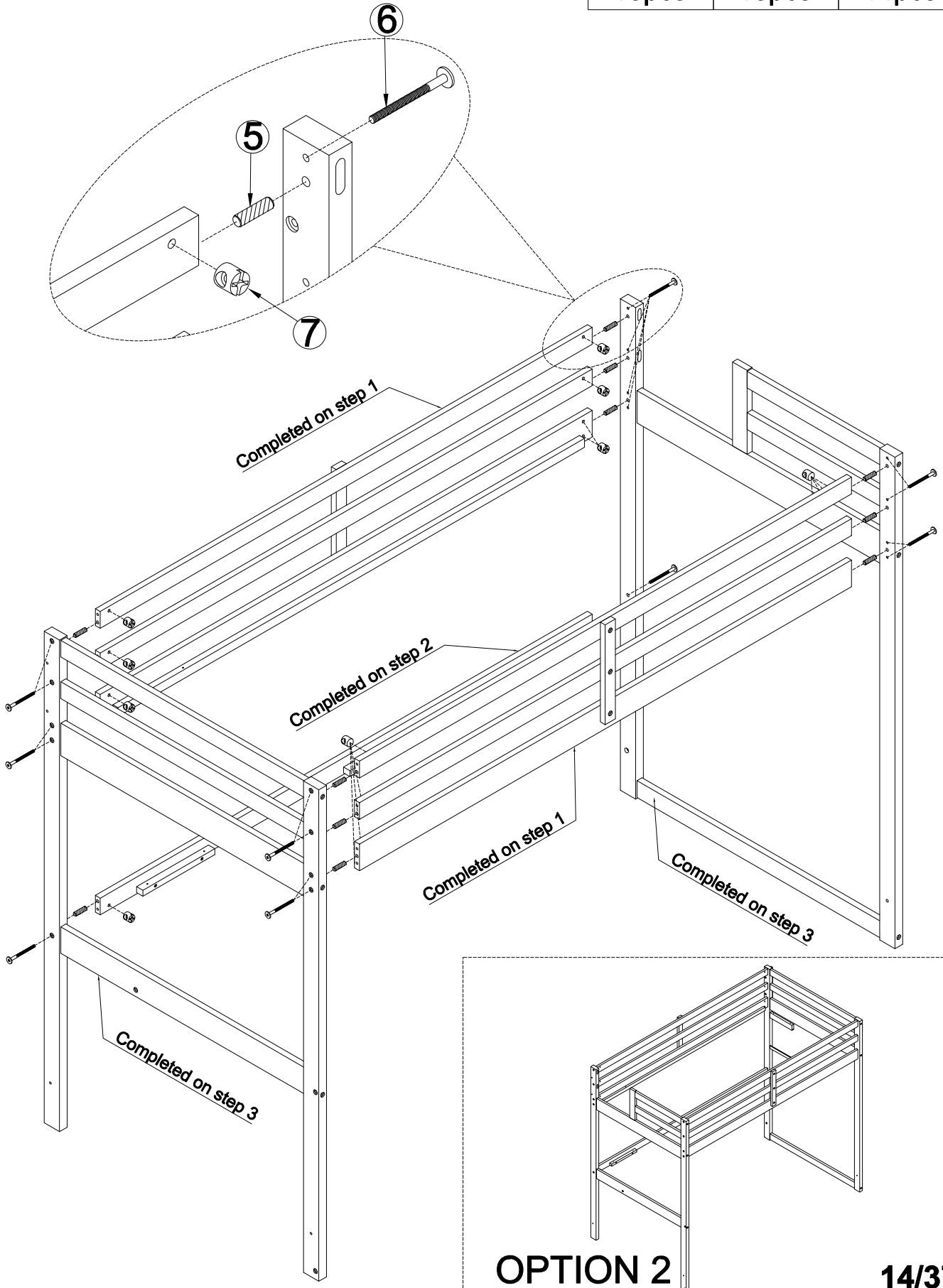
## STEP 3-3: Following below illustration .:



# STEP 4: Following below illustration:

Using hardware #6, #7 and dowel #5 to Assembly Frame (completed on step 3) with siderail Frame (completed on step 1, Step 2 ).  
Look at detail view for more detail


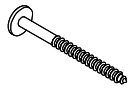
7	6	5
		
18pcs	18pcs	14pcs

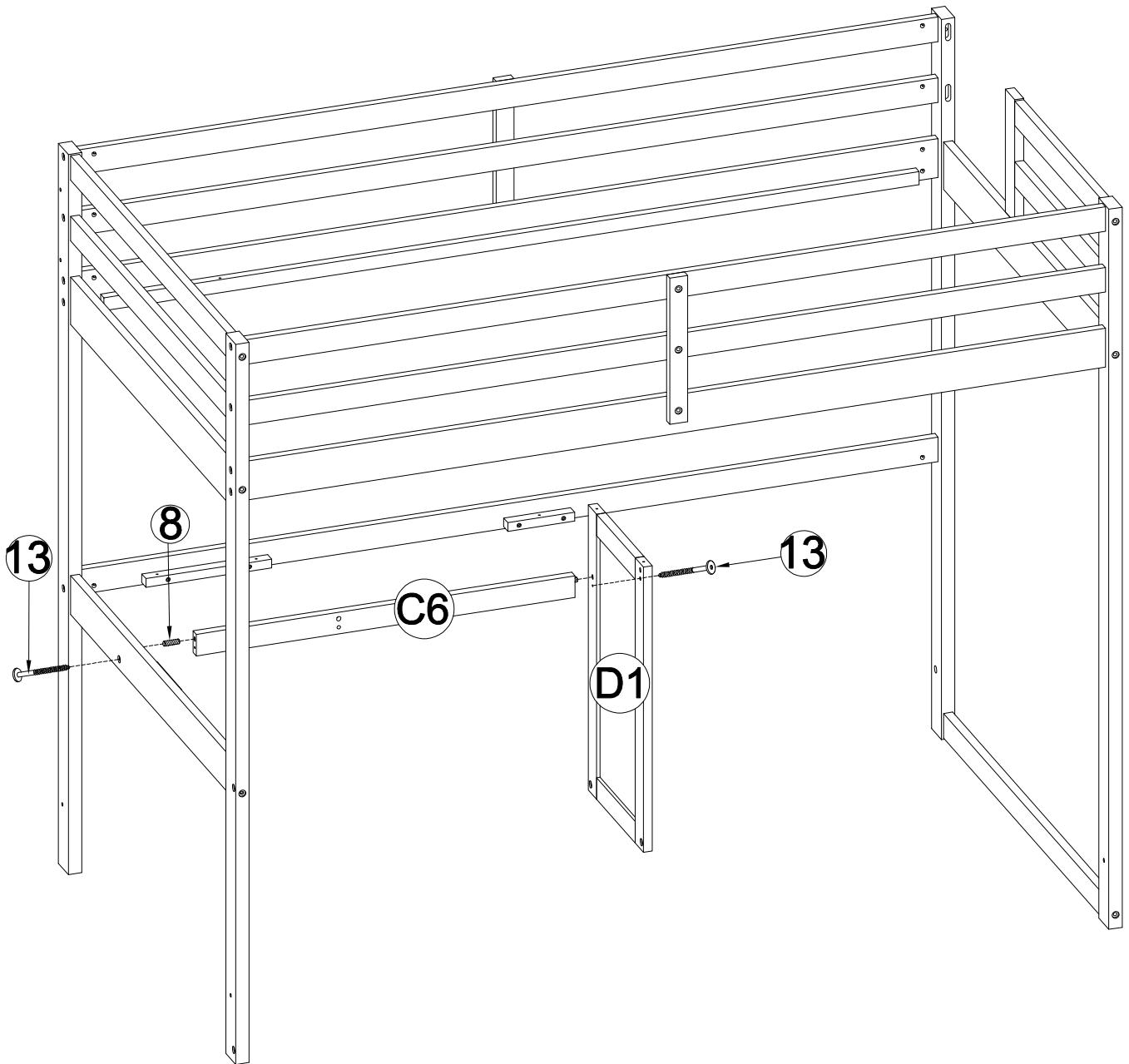


OPTION 2

# STEP 5: Following below illustration:


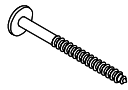
Using hardward #13 and dowel #8 to Assembly Frame (completed on step 4)  
with C6 Wood Bar and D1 Frame  
Look at detail view for more detail

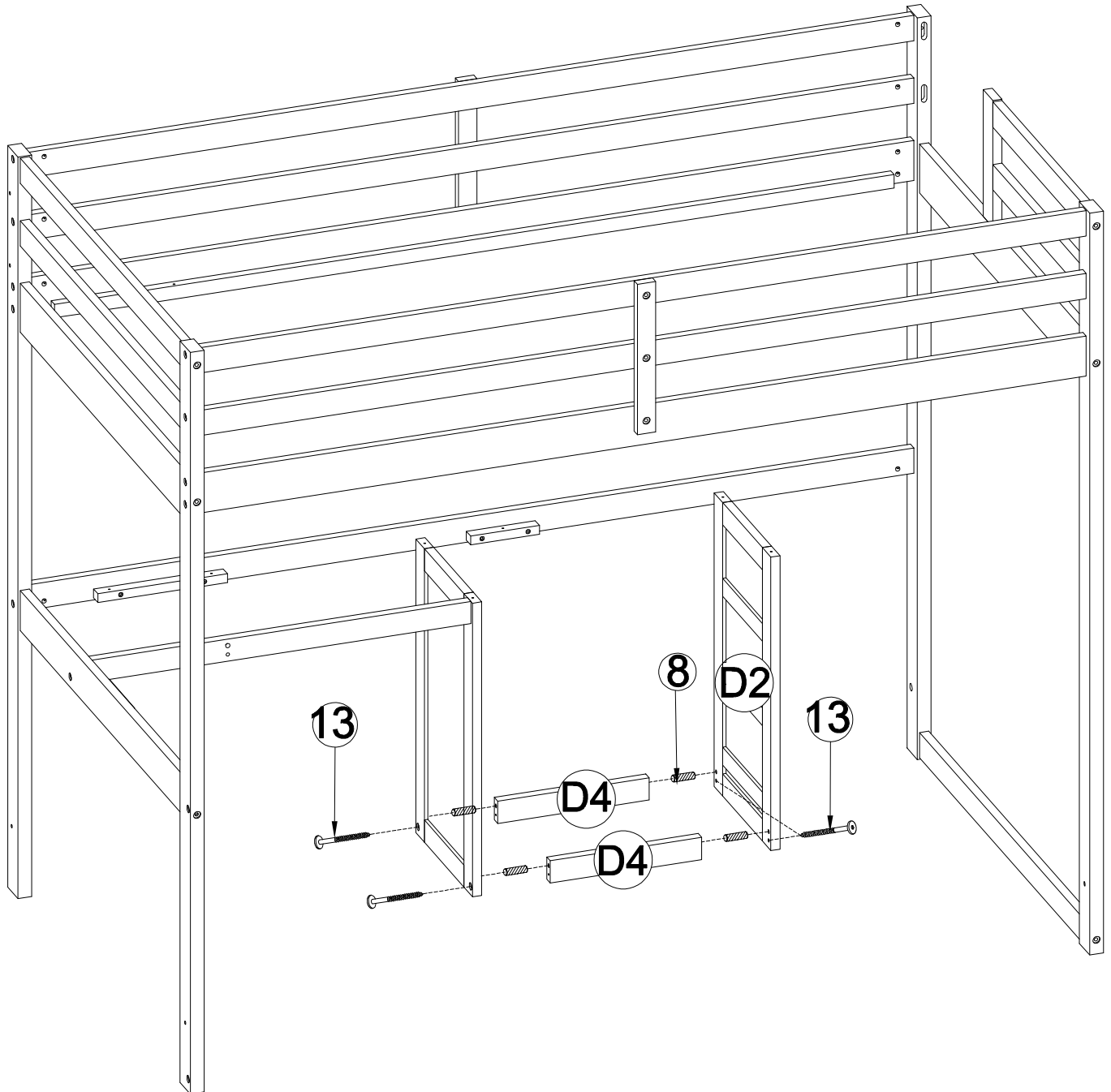
8 	13 
2pcs	2pcs



# STEP 6: Following below illustration:

Using hardware #13 and dowel #8 to Assembly Frame (completed on step 5)  
with D4(x2) Wood Bar and D2 Frame  
Look at detail view for more detail


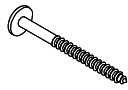
8		13	
4pcs		4pcs	

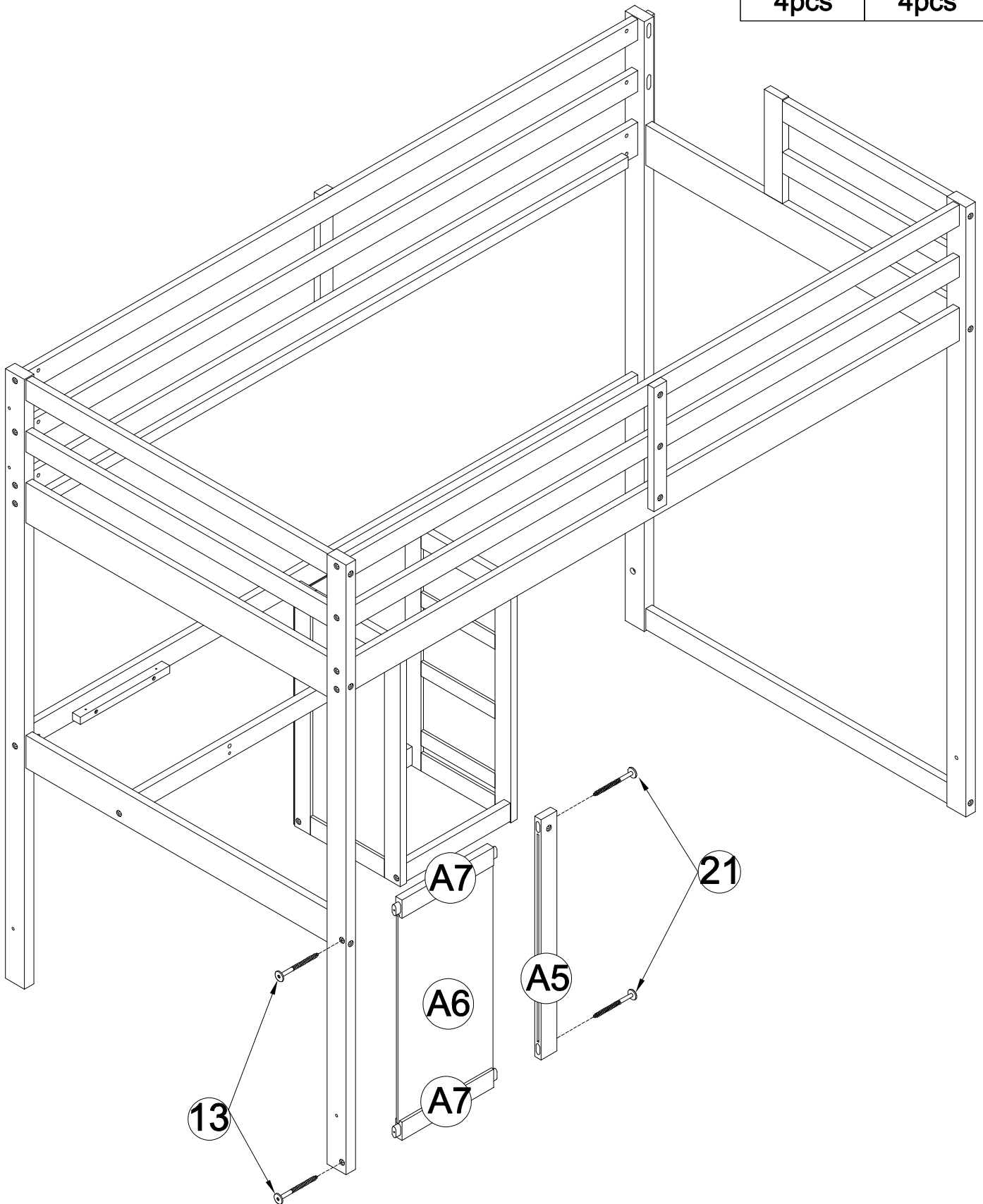


# STEP 7:

Following below illustration:

Using hardware #13,#21 to Assembly Frame (completed on step 6) with A7(x2),A5 Wood Bars and A6 Panel.Look at detail view for more detail

21	13
	
4pcs	4pcs


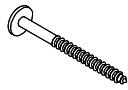


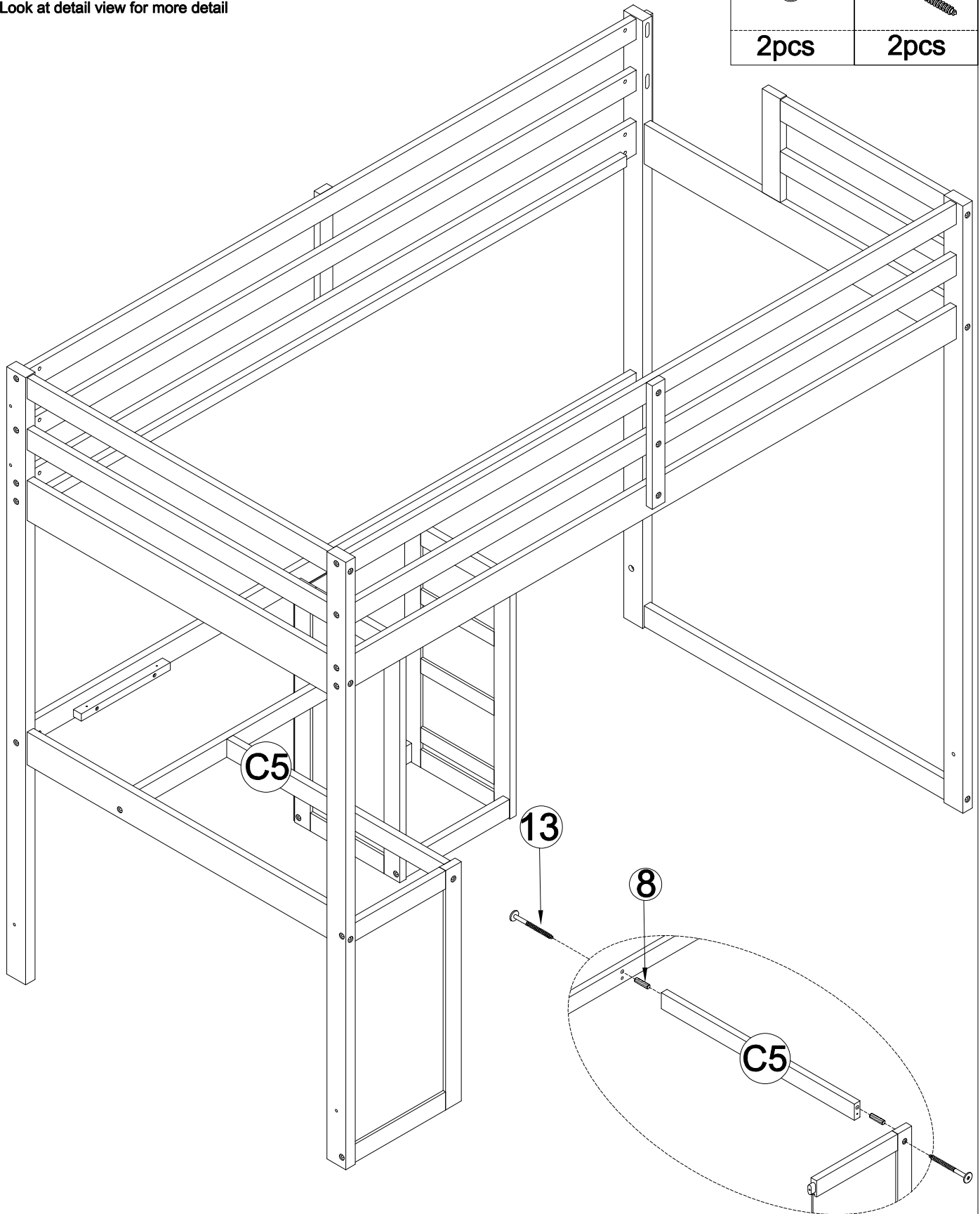
# STEP 8:

Following below illustration:

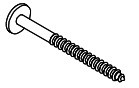
Using hardward #13 and dowel #8 to Assembly Frame (completed on step 7) with C5 Wood Bar

Look at detail view for more detail

8		13	
2pcs		2pcs	



1



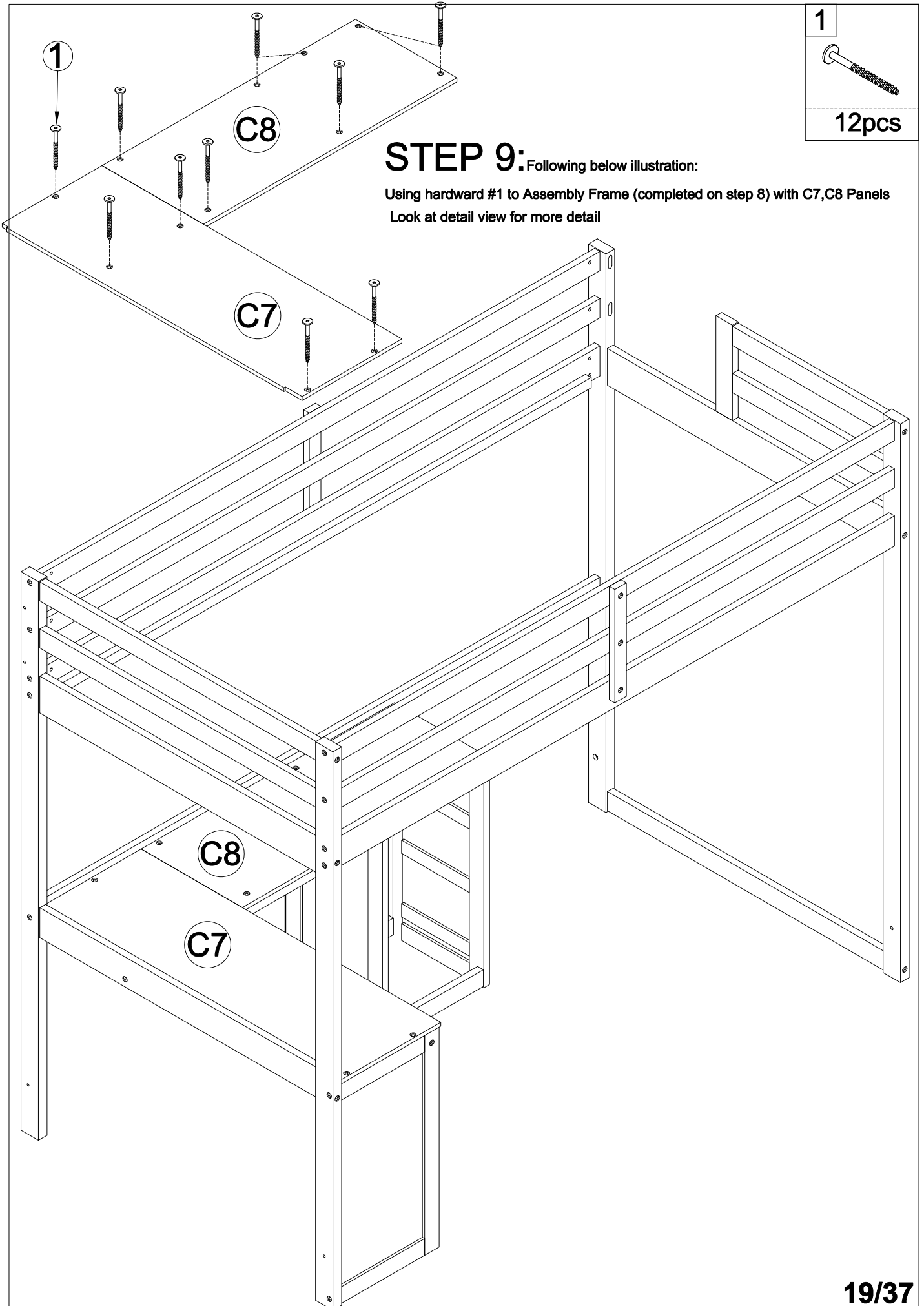
12pcs

# STEP 9:

Following below illustration:

Using hardware #1 to Assembly Frame (completed on step 8) with C7,C8 Panels

Look at detail view for more detail



# STEP 10:

Following below illustration:

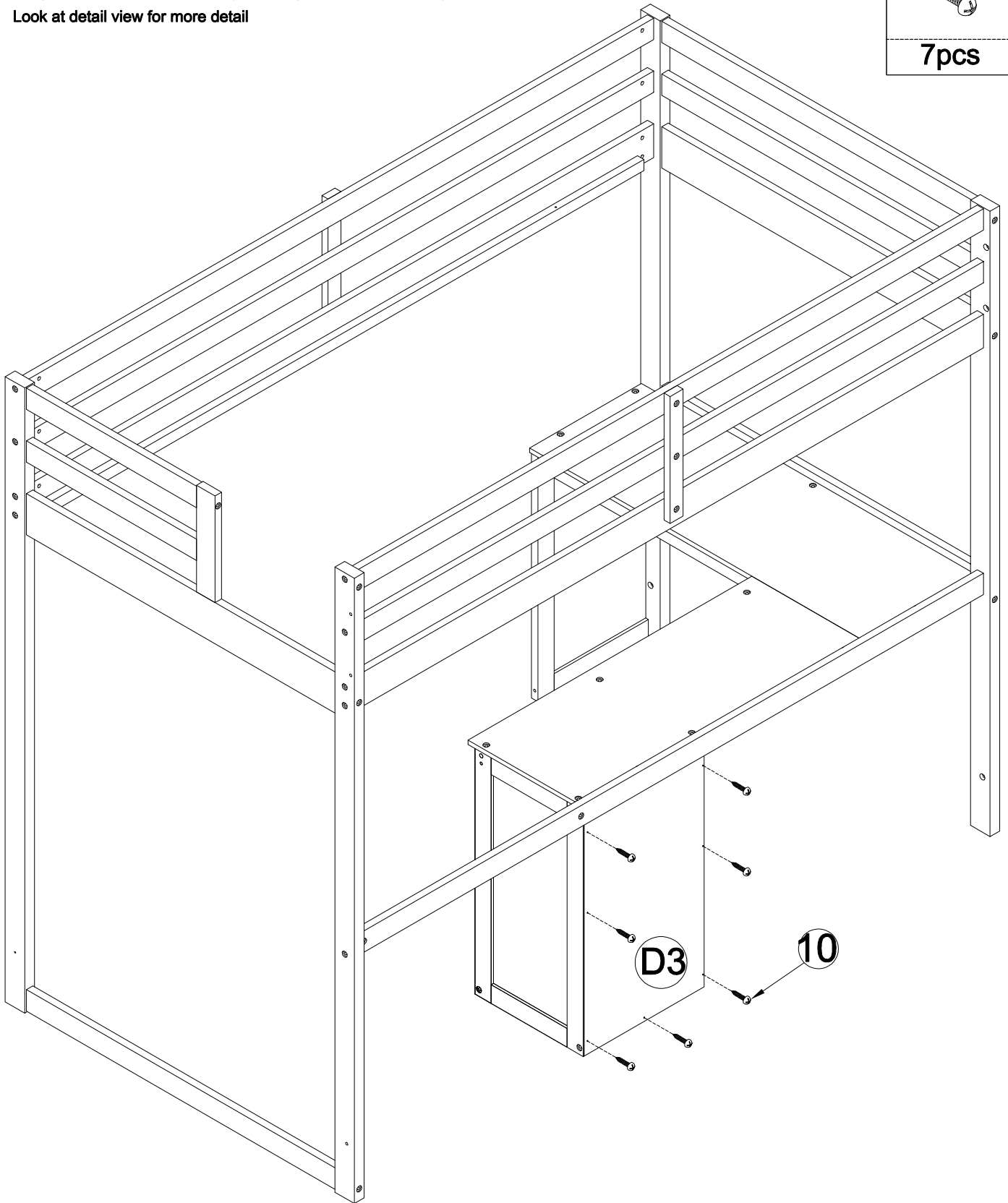
Using hardward #10 to Assembly Frame (completed on step 9) with D3 Panel

Look at detail view for more detail

10



7pcs

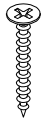


# STEP 11: Following below illustration:

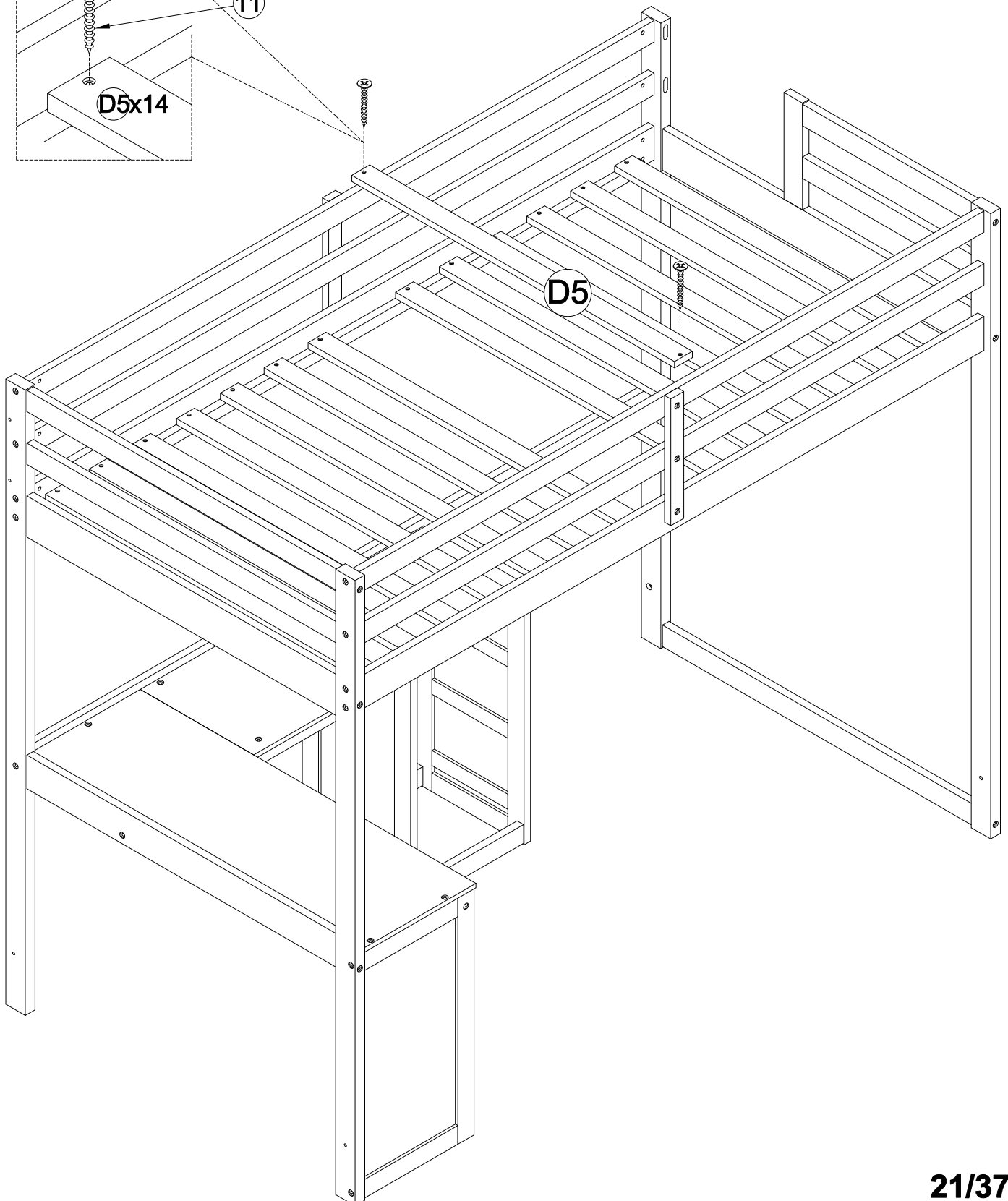
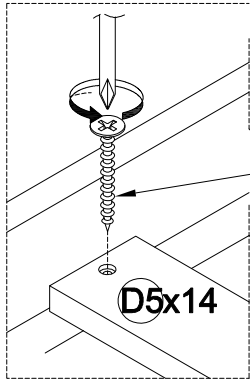
- Assembly 14 slat D5 using hardware #11

- Look at detail view

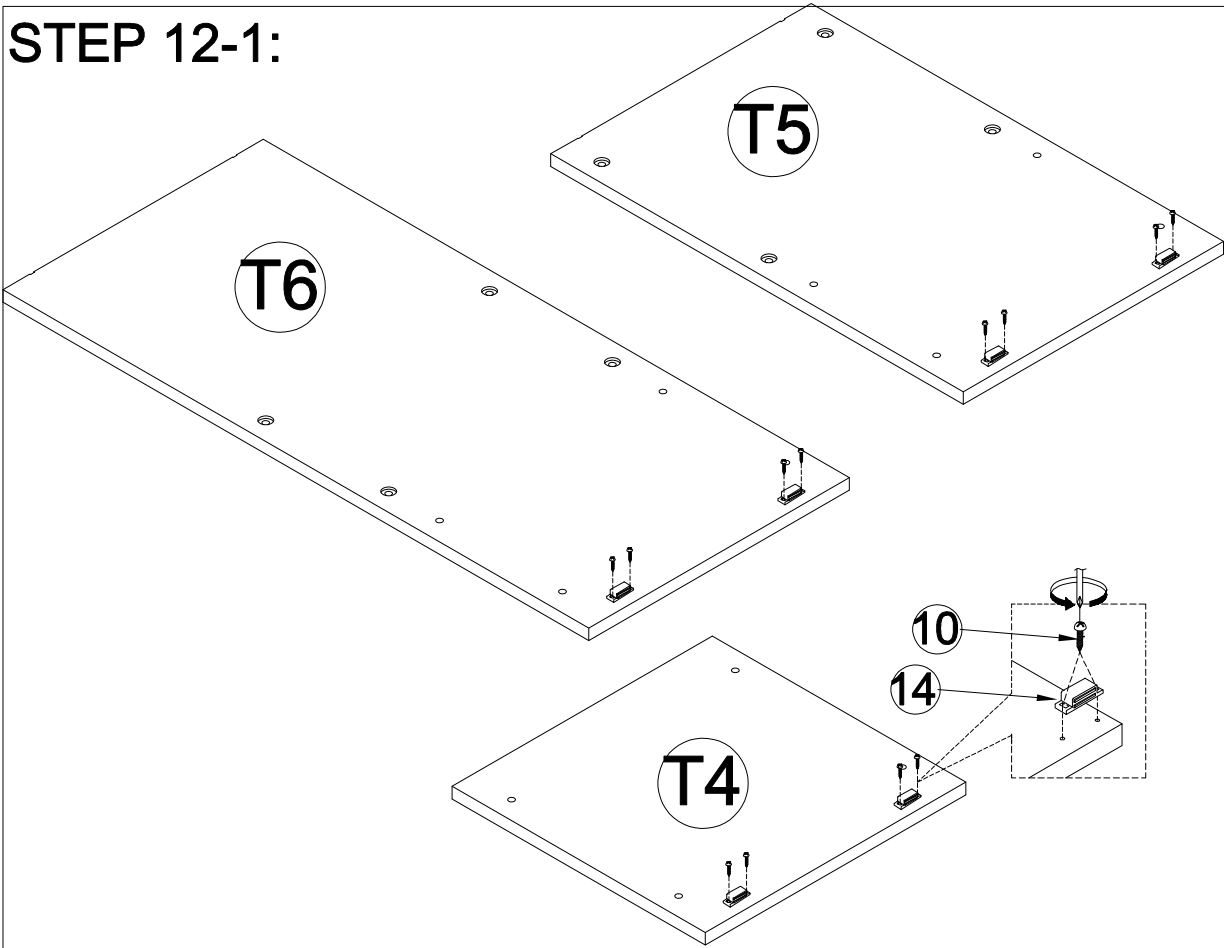
11



28pcs



# STEP 12-1:



14



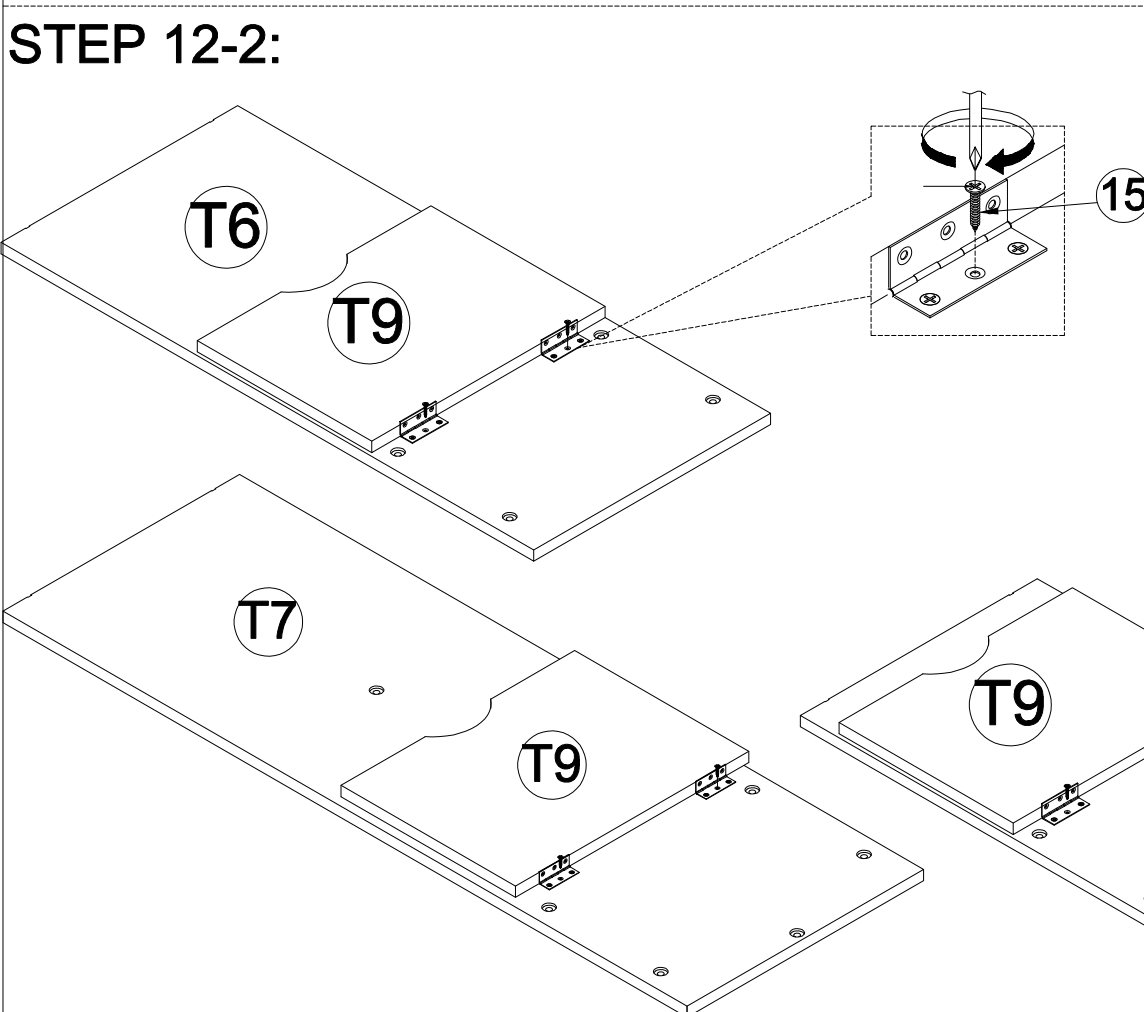
6pcs

10



12pcs

# STEP 12-2:

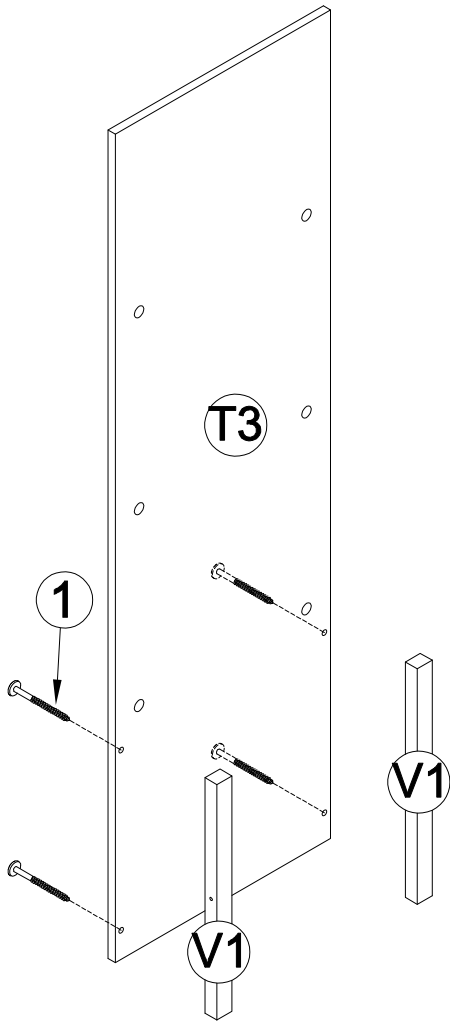


15



18pcs

### STEP 12-3:

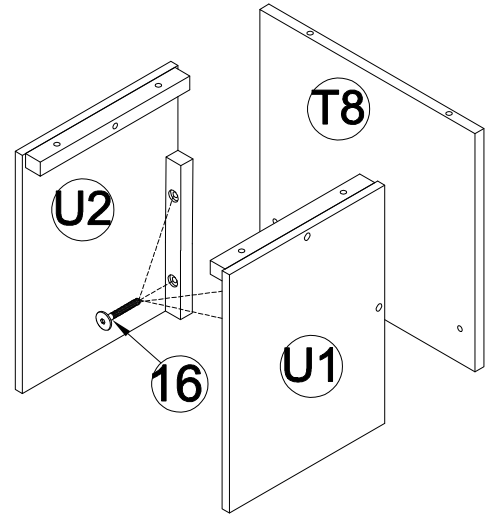


1



4pcs

### STEP 13-4:

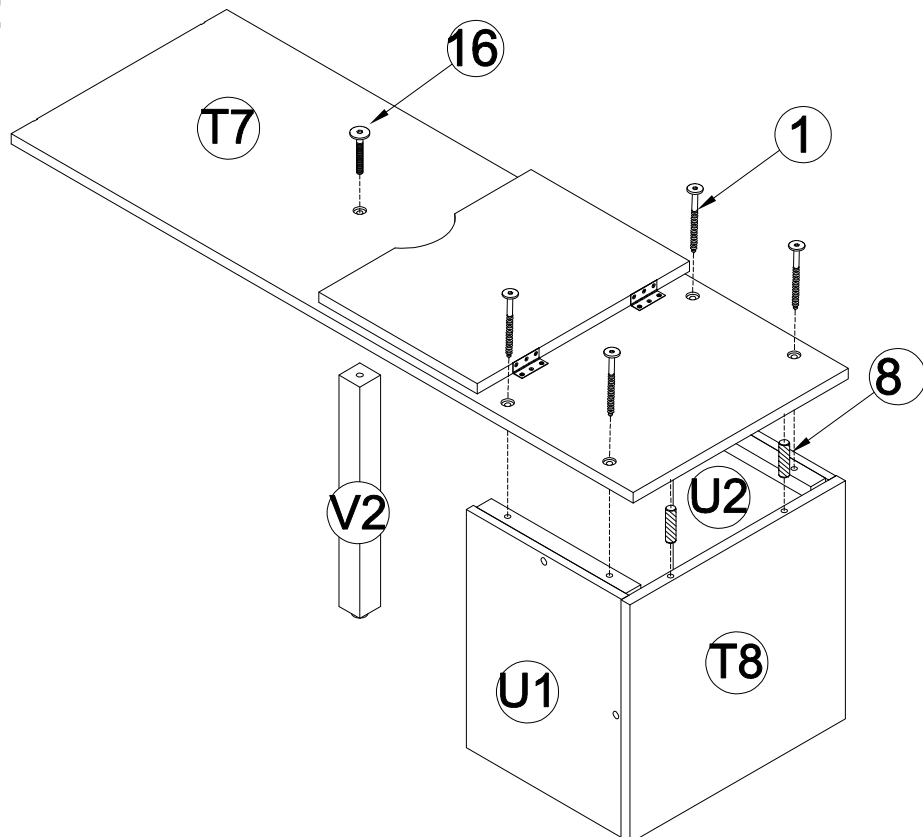


16



4pcs

### STEP 12-5:

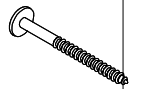


16



1pc

1



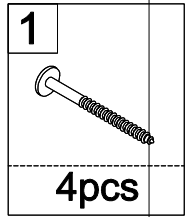
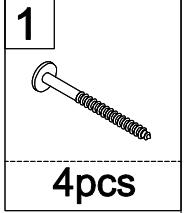
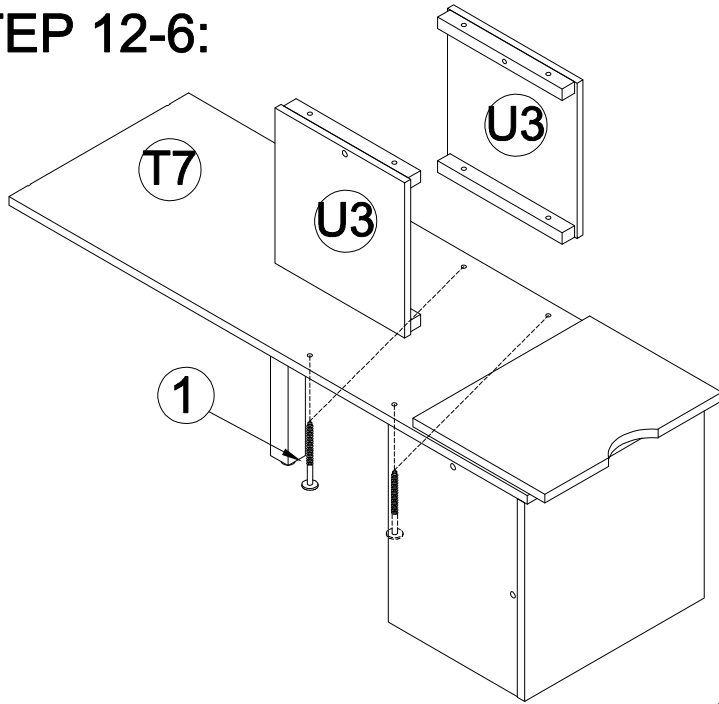
4pcs

8

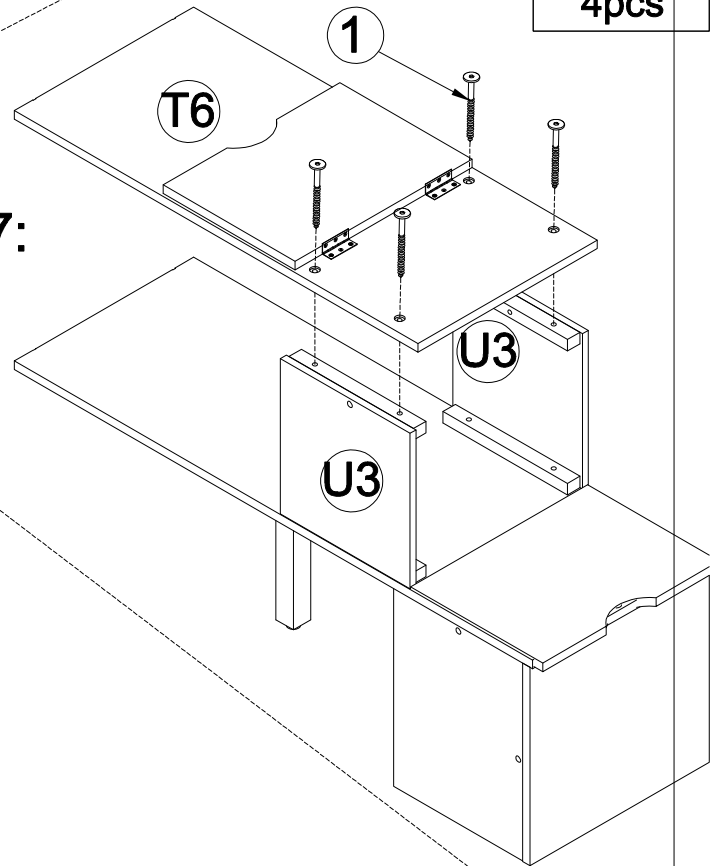


2pcs

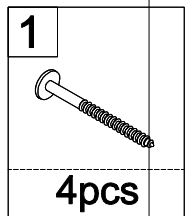
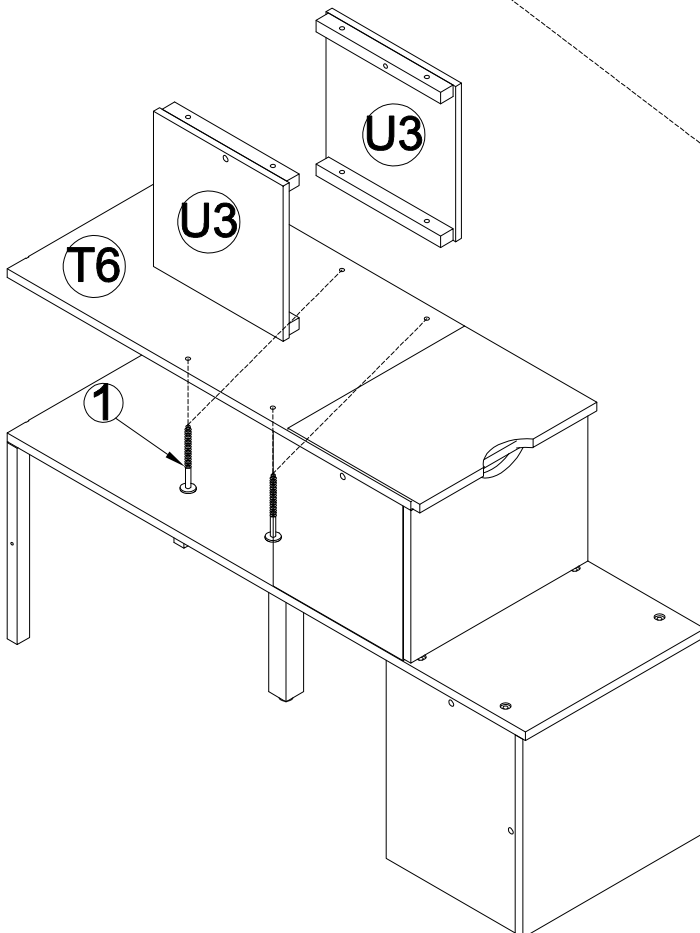
# STEP 12-6:



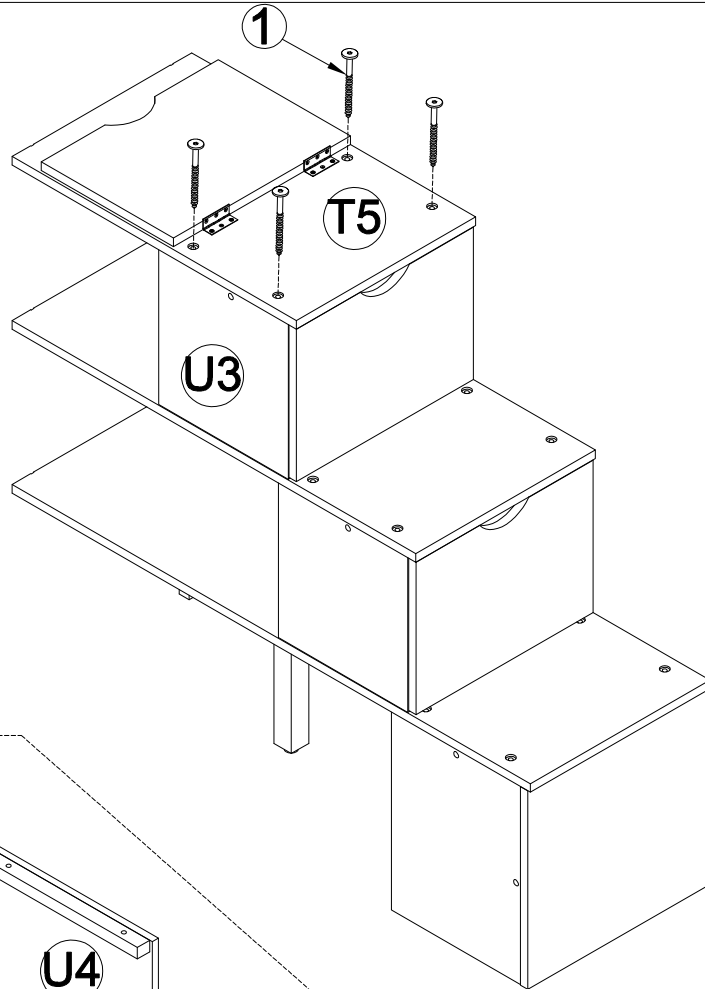
# STEP 12-7:




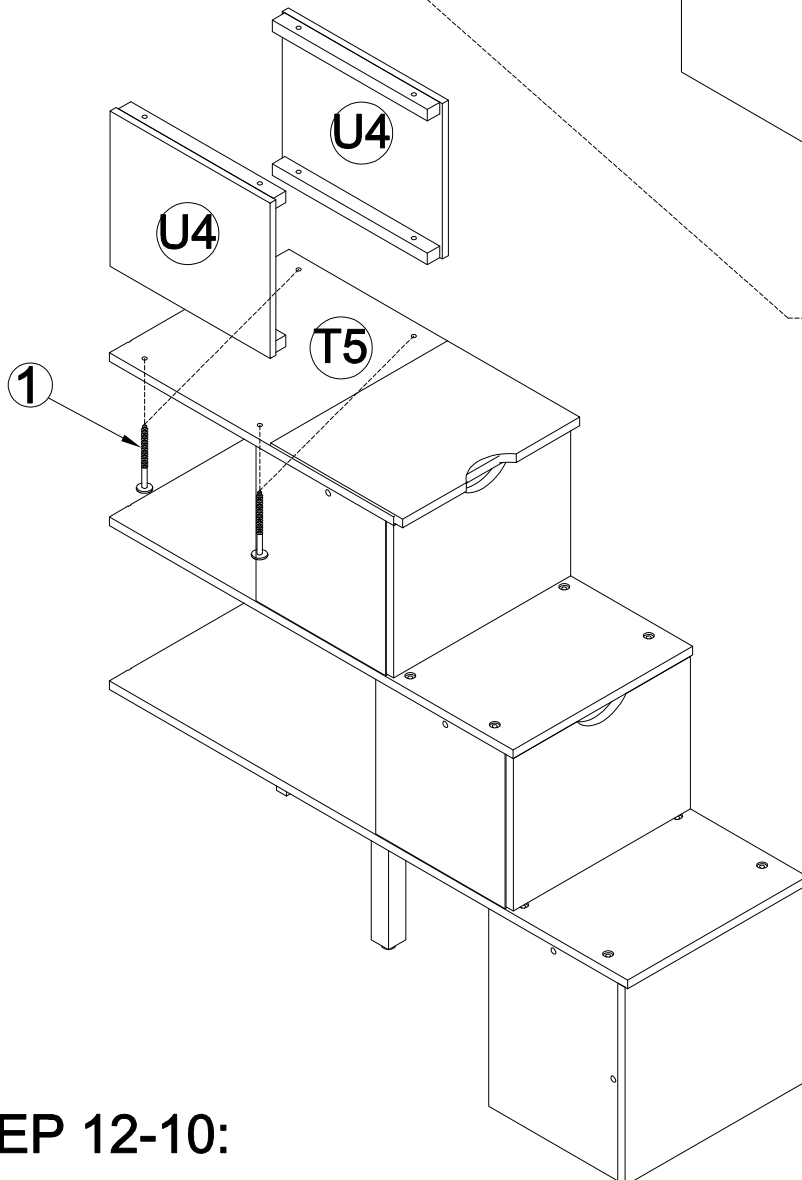
# STEP 12-8:

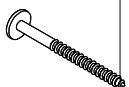


# STEP 12-9:



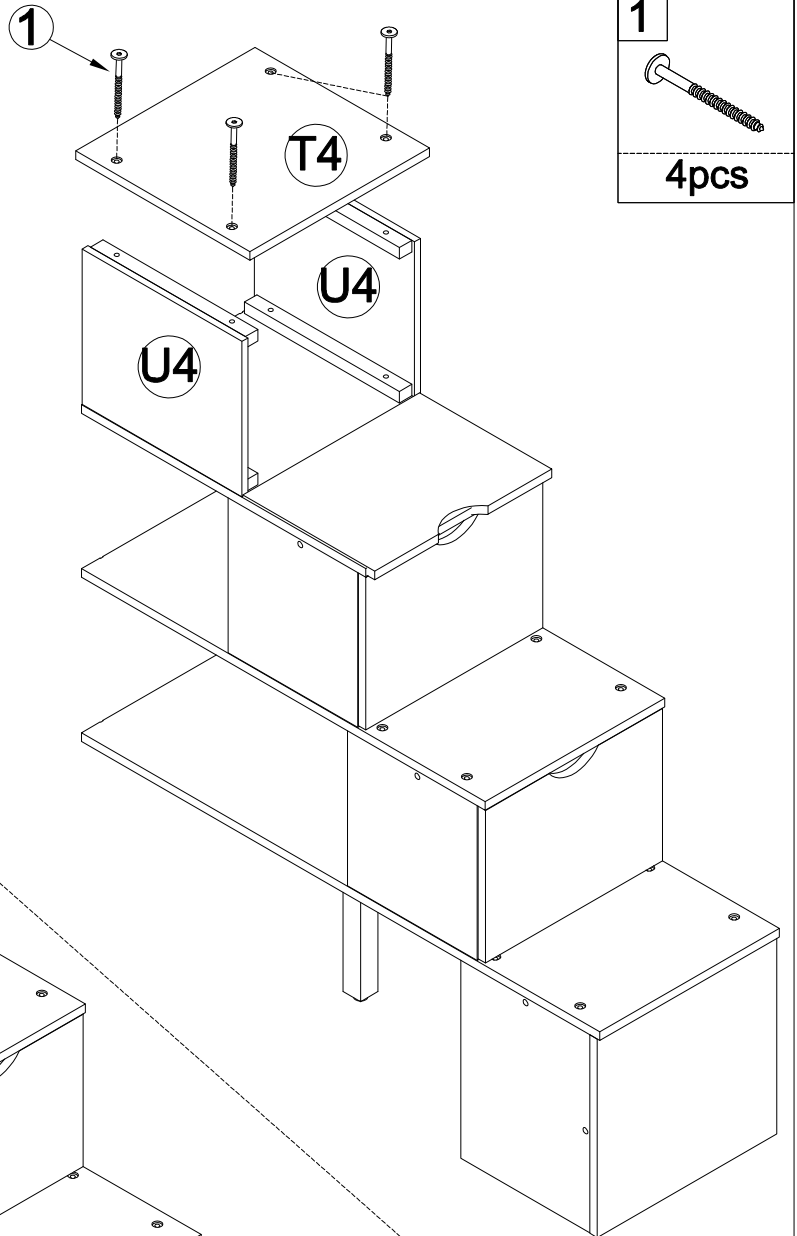
1

4pcs

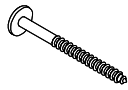


1

4pcs

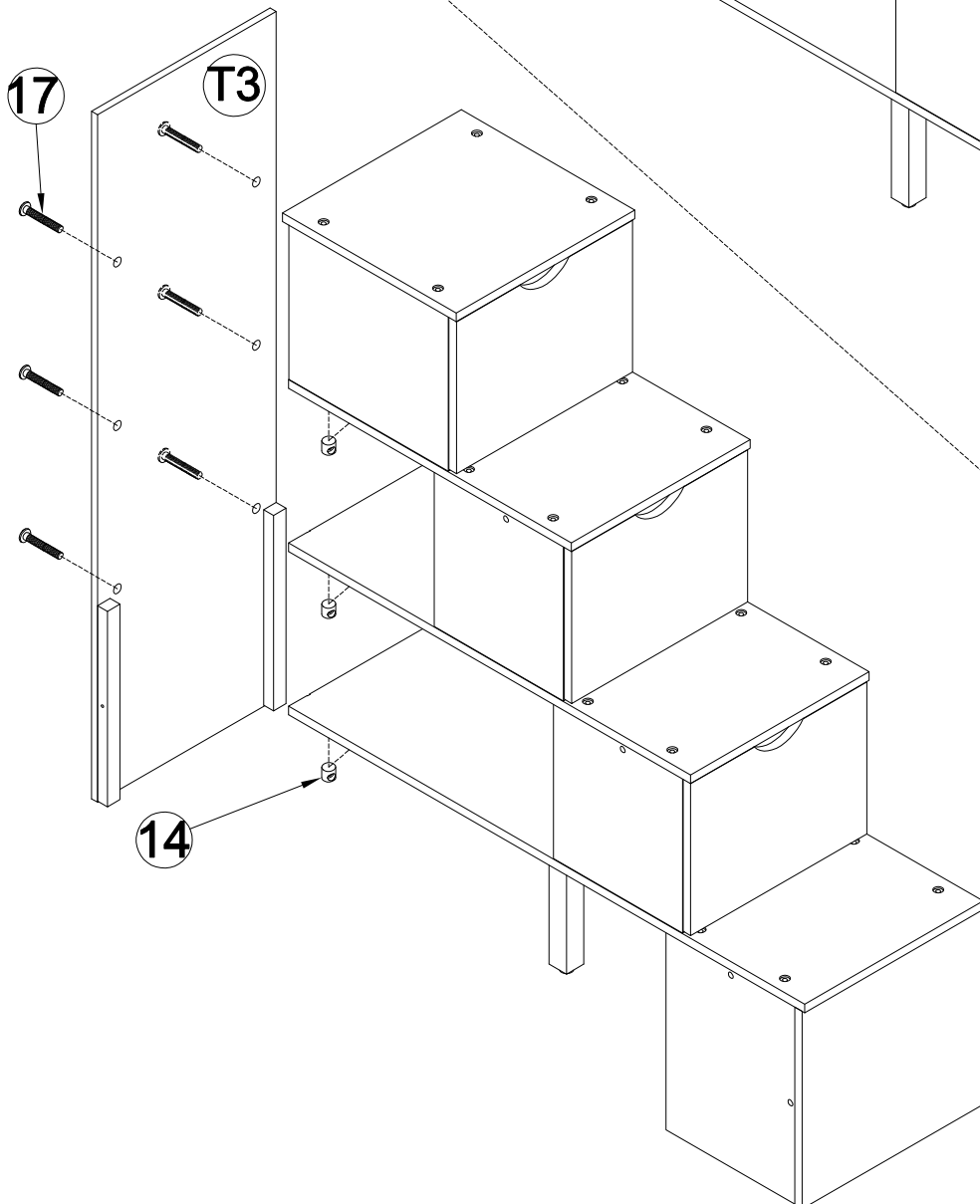
# STEP 12-10:



# STEP 12-11:



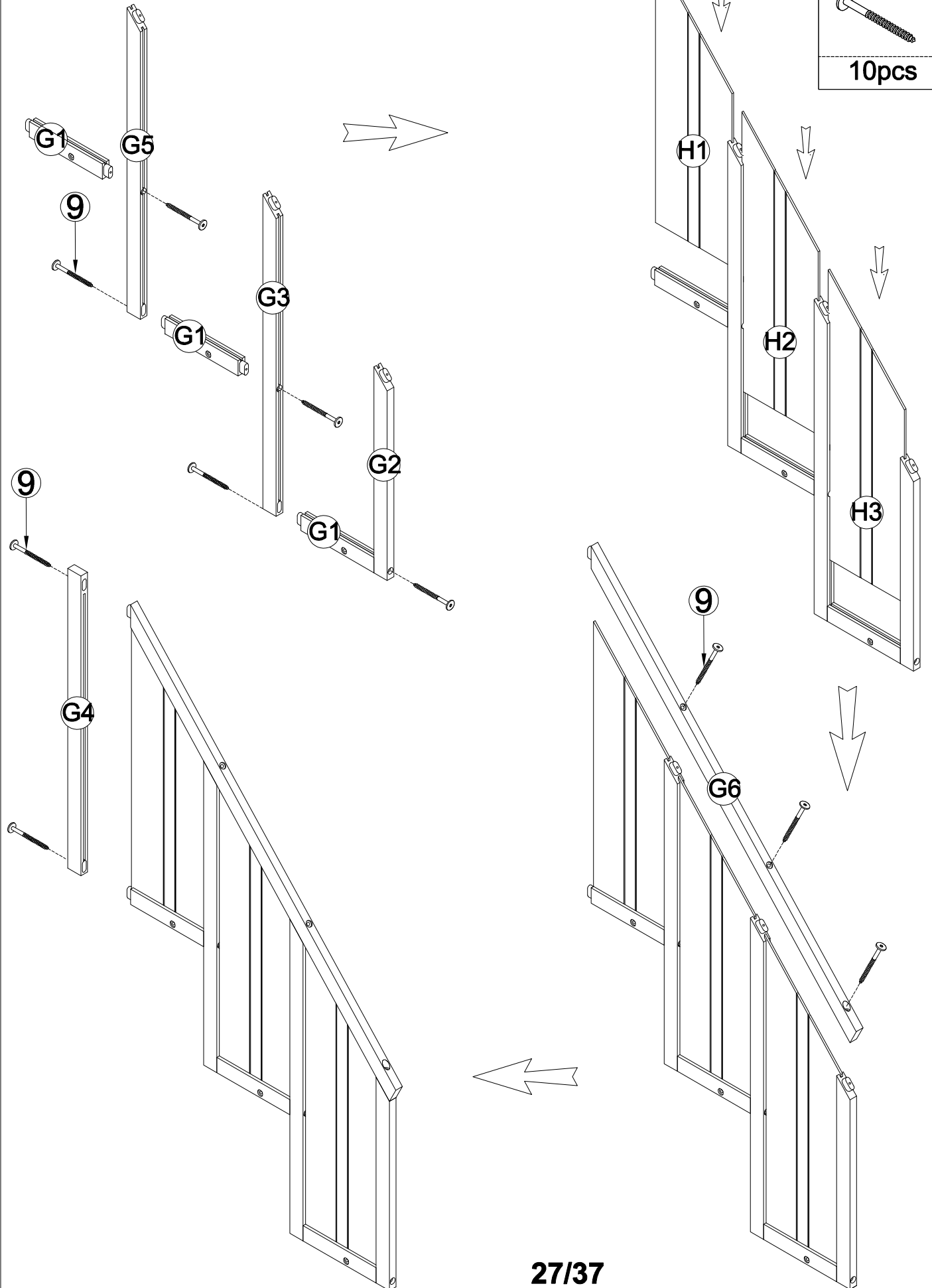
1

4pcs

# STEP 12-12:

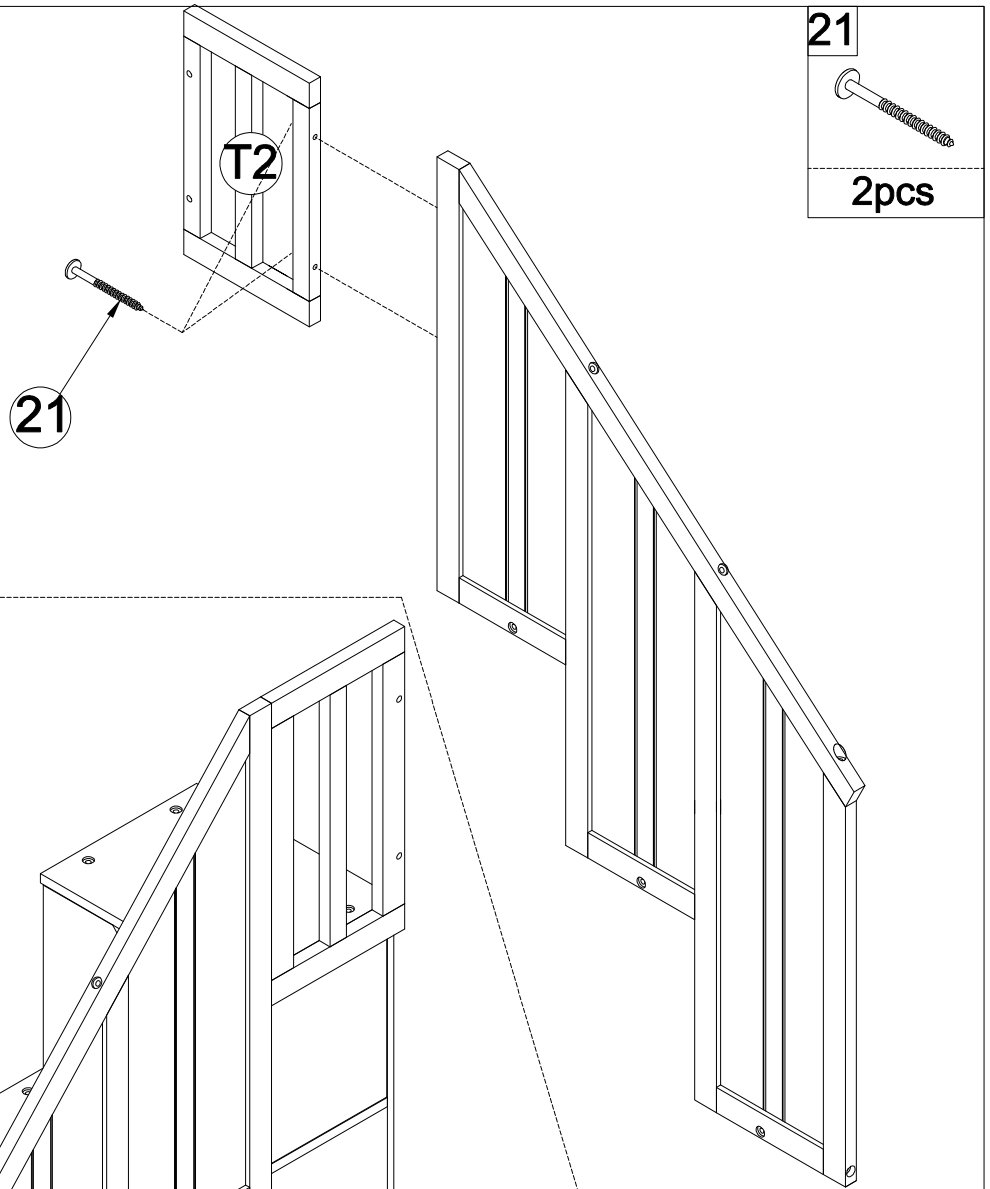


7	17
	
6pcs	6pcs

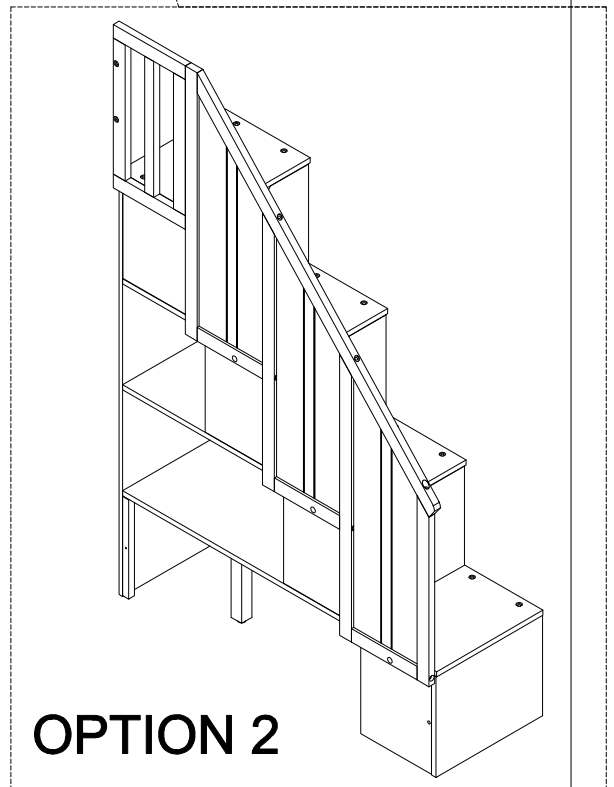
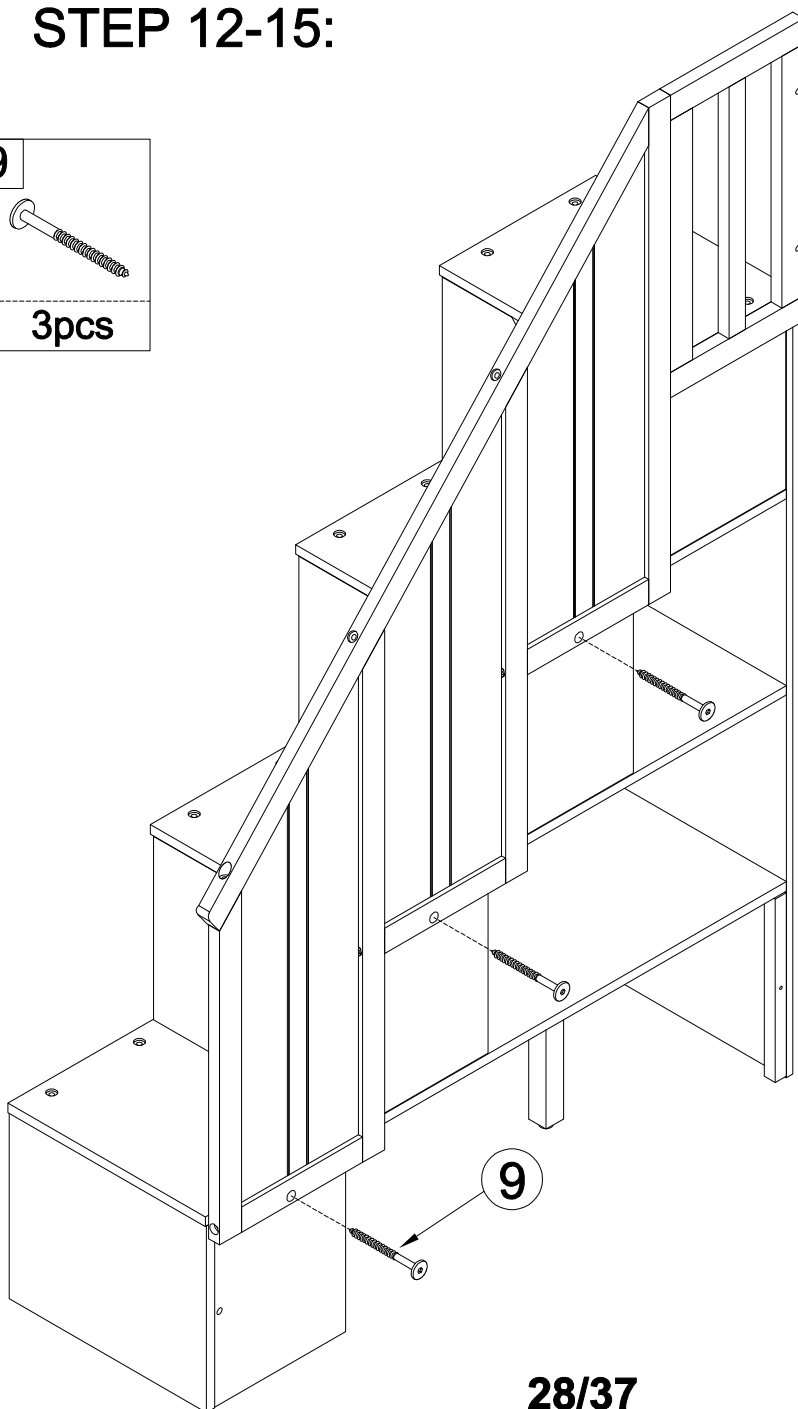
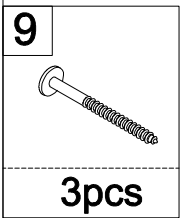
# STEP 12-13:



**STEP 12-14:**



**STEP 12-15:**


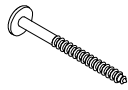
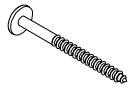


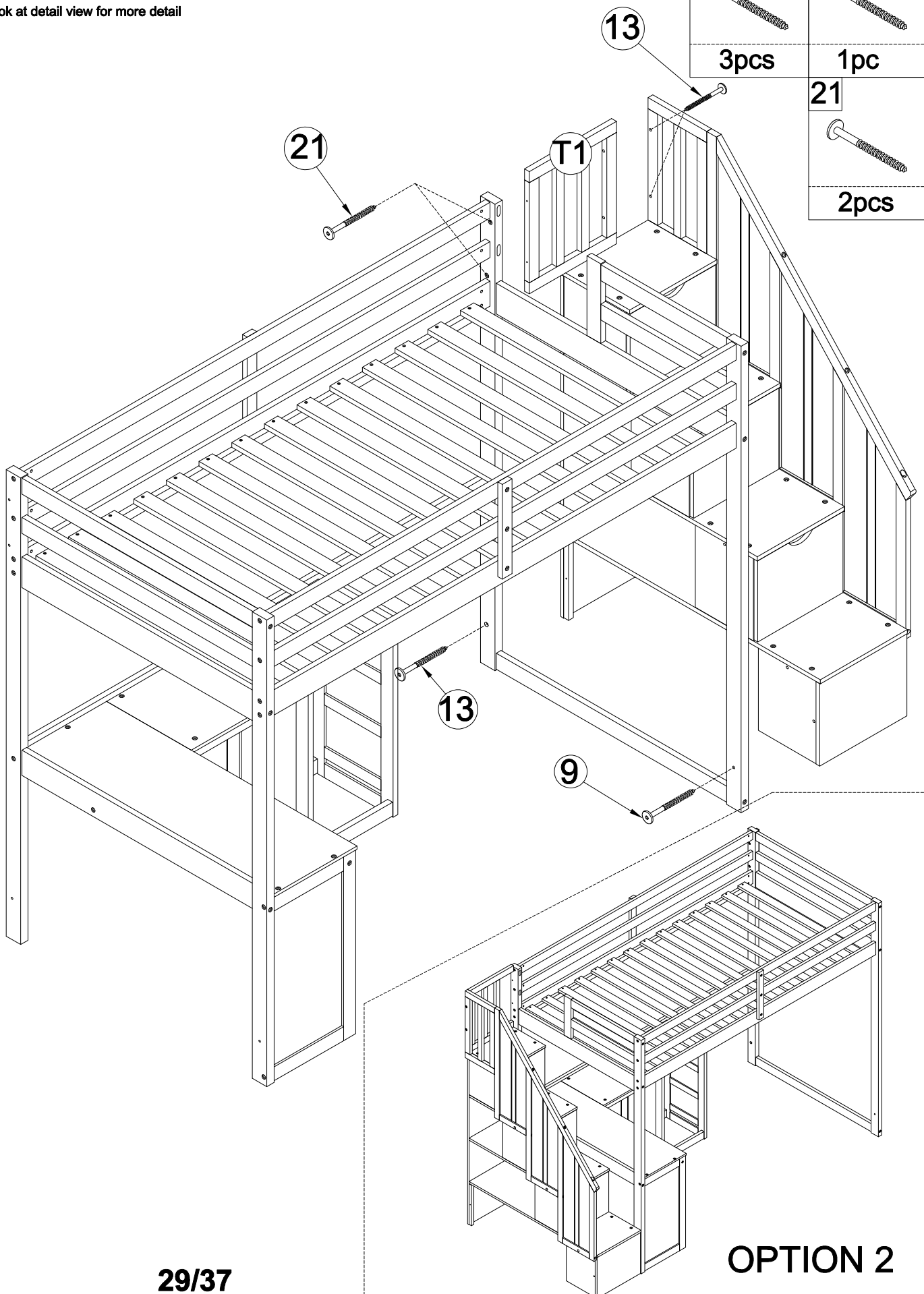
**OPTION 2**

# STEP 13: Following below illustration:

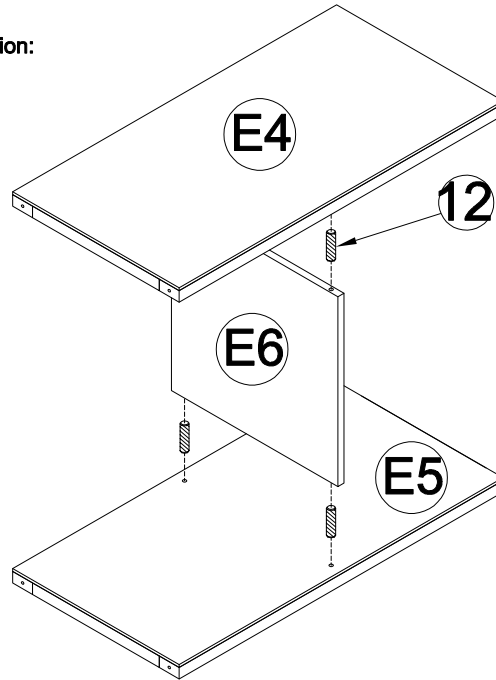
-Using hardware #9,#13,#21 to Assembly T1 Frame with Frame(completed on step 11,12-15)


-Look at detail view for more detail

<b>13</b>  3pcs	<b>9</b>  1pc
	<b>21</b>  2pcs

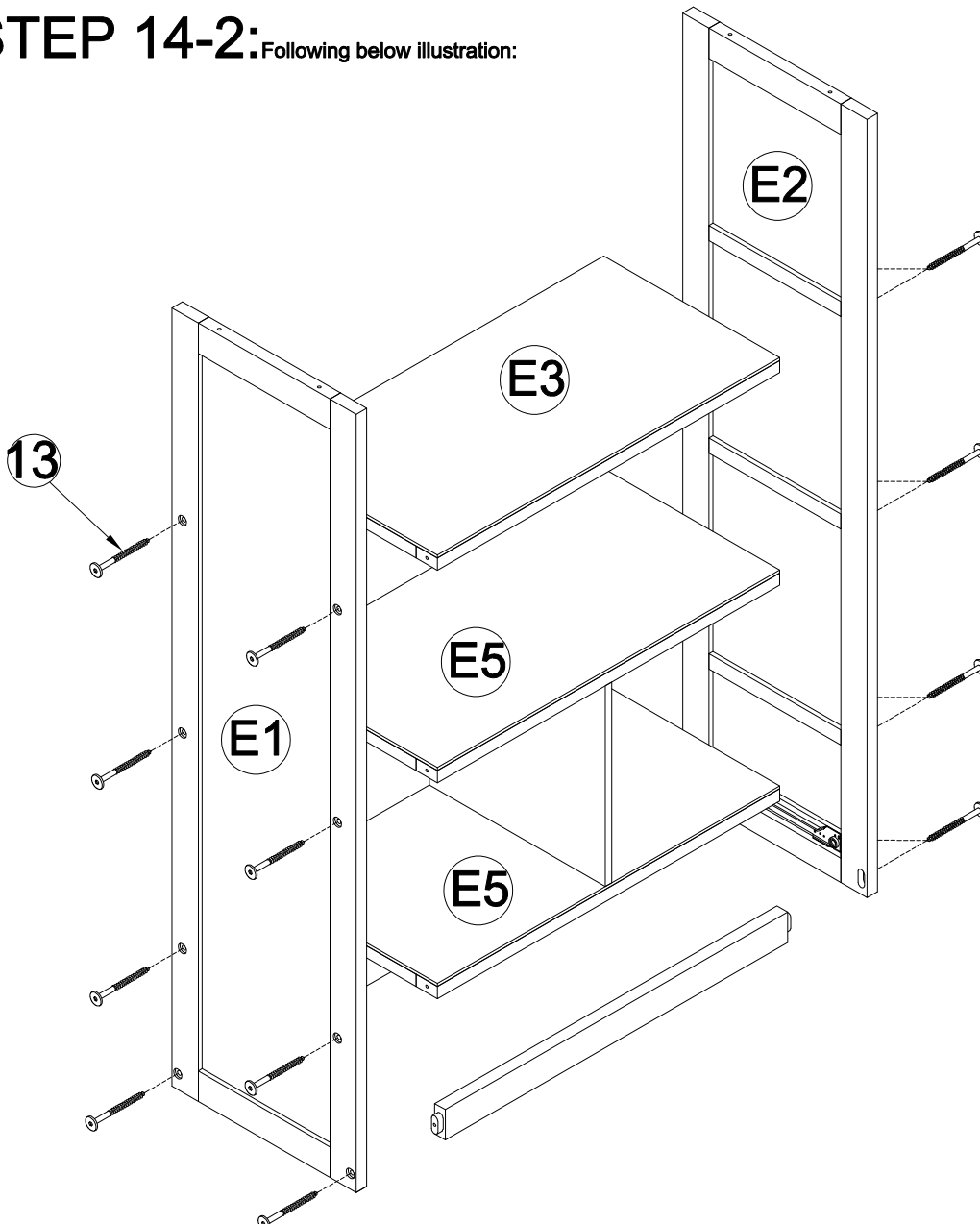


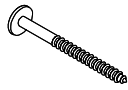
# STEP 14-1: Following below illustration:

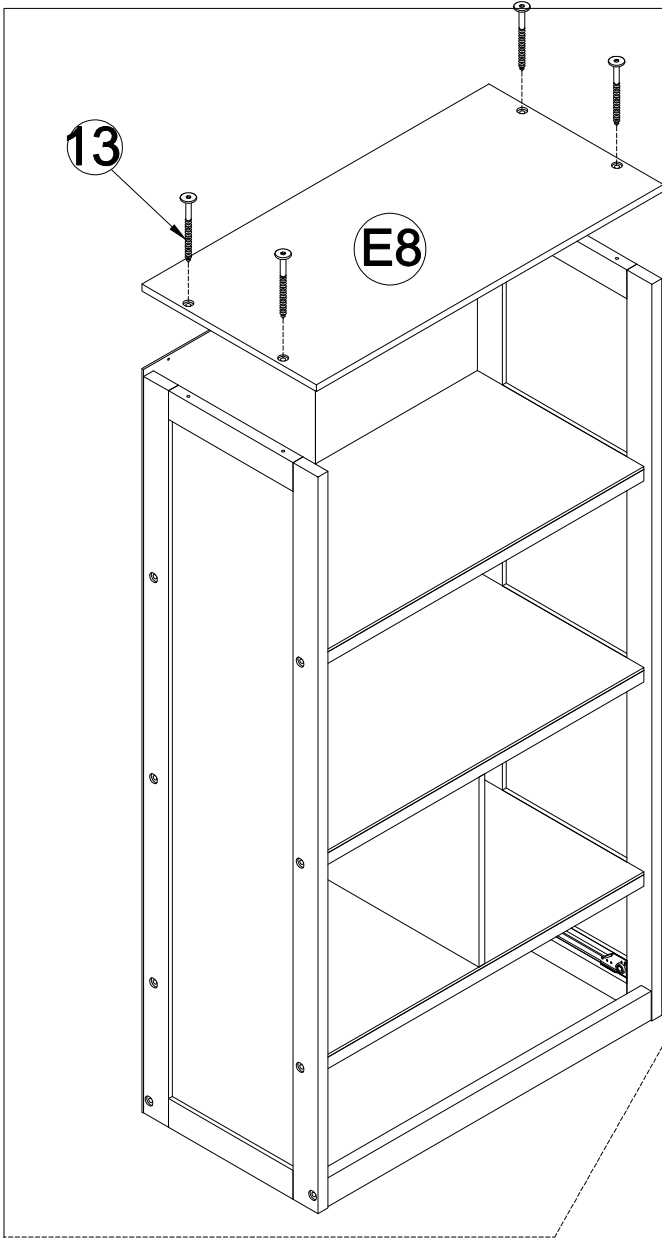


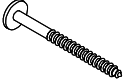
12	
4pcs	

# STEP 14-2: Following below illustration:

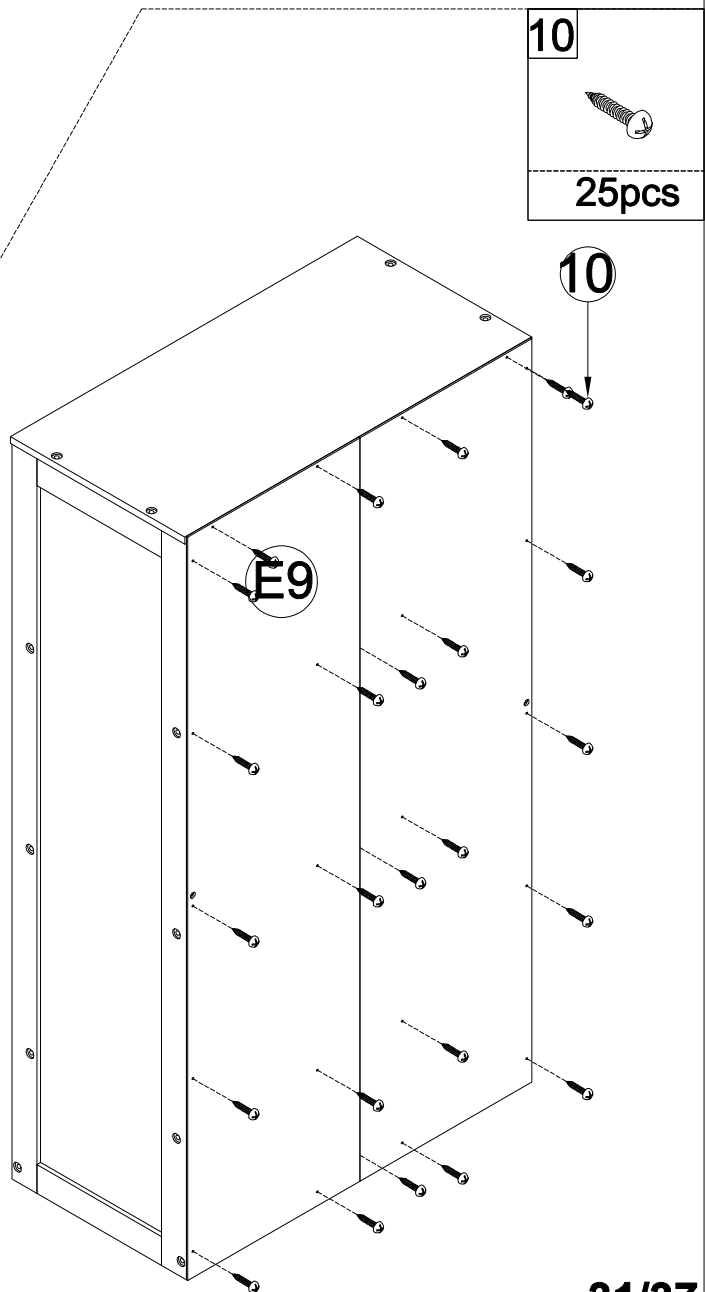


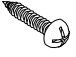
13	
16pcs	



<b>13</b>

<b>4pcs</b>

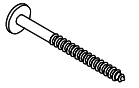
**STEP 14-3:** Following below illustration:



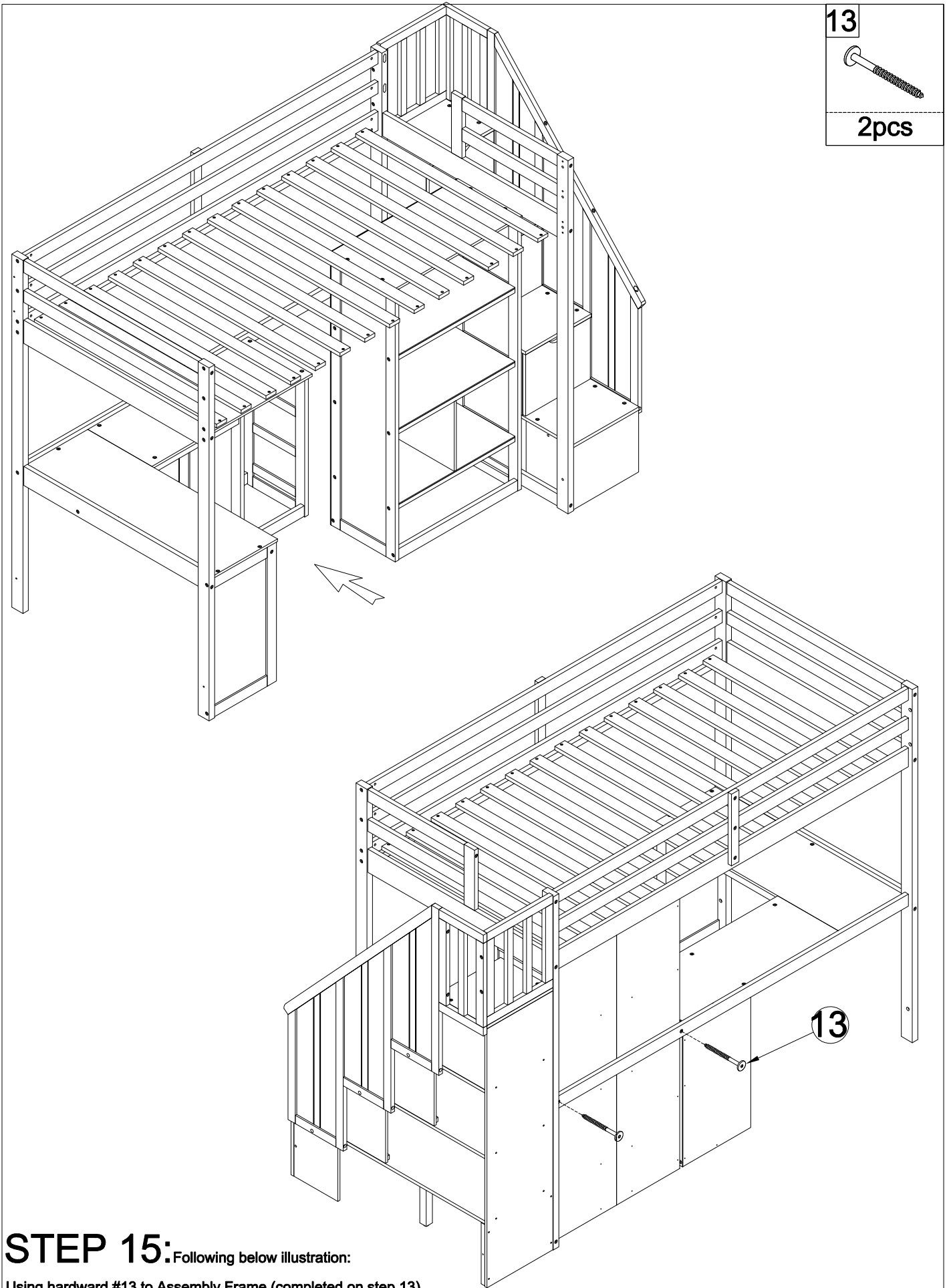
<b>10</b>

<b>25pcs</b>

**STEP 14-4:** Following below illustration:

13



2pcs



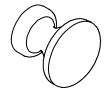
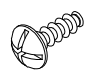
**STEP 15:** Following below illustration:

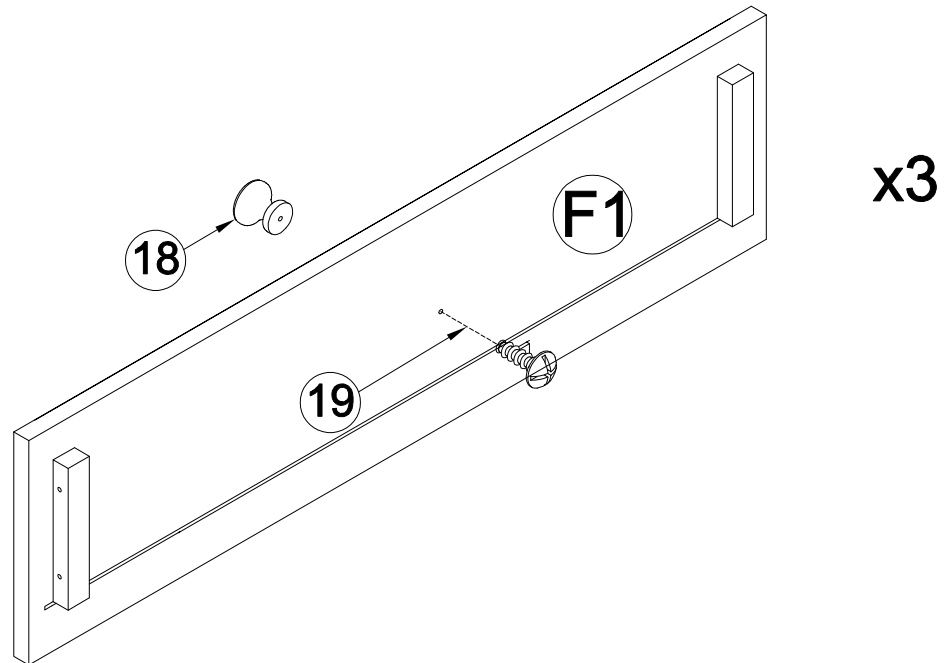
Using hardware #13 to Assembly Frame (completed on step 13)

with Frame (completed on step 14-4)

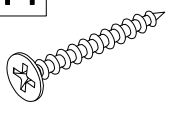
Look at detail view for more detail

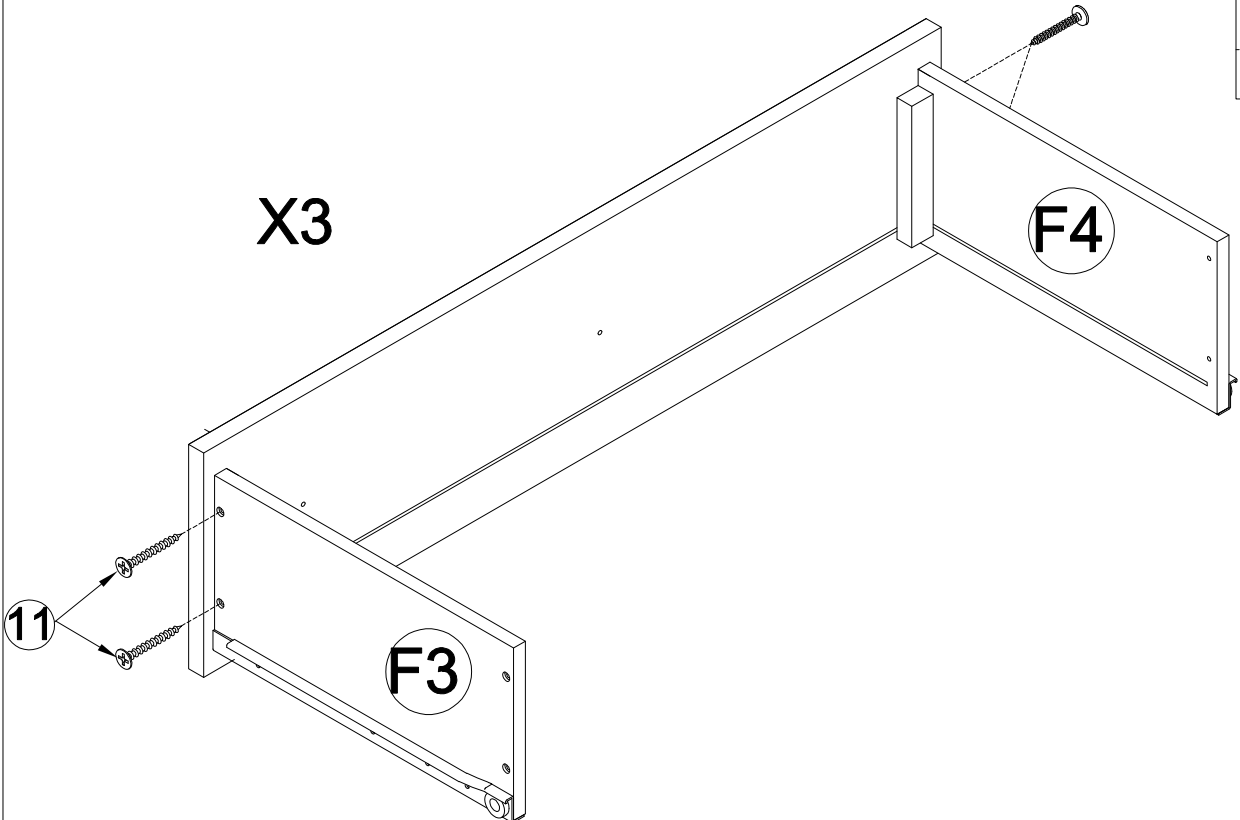
# STEP 16-1:ASSEMBLY DRAWER

18	19
	
3pcs	3pcs



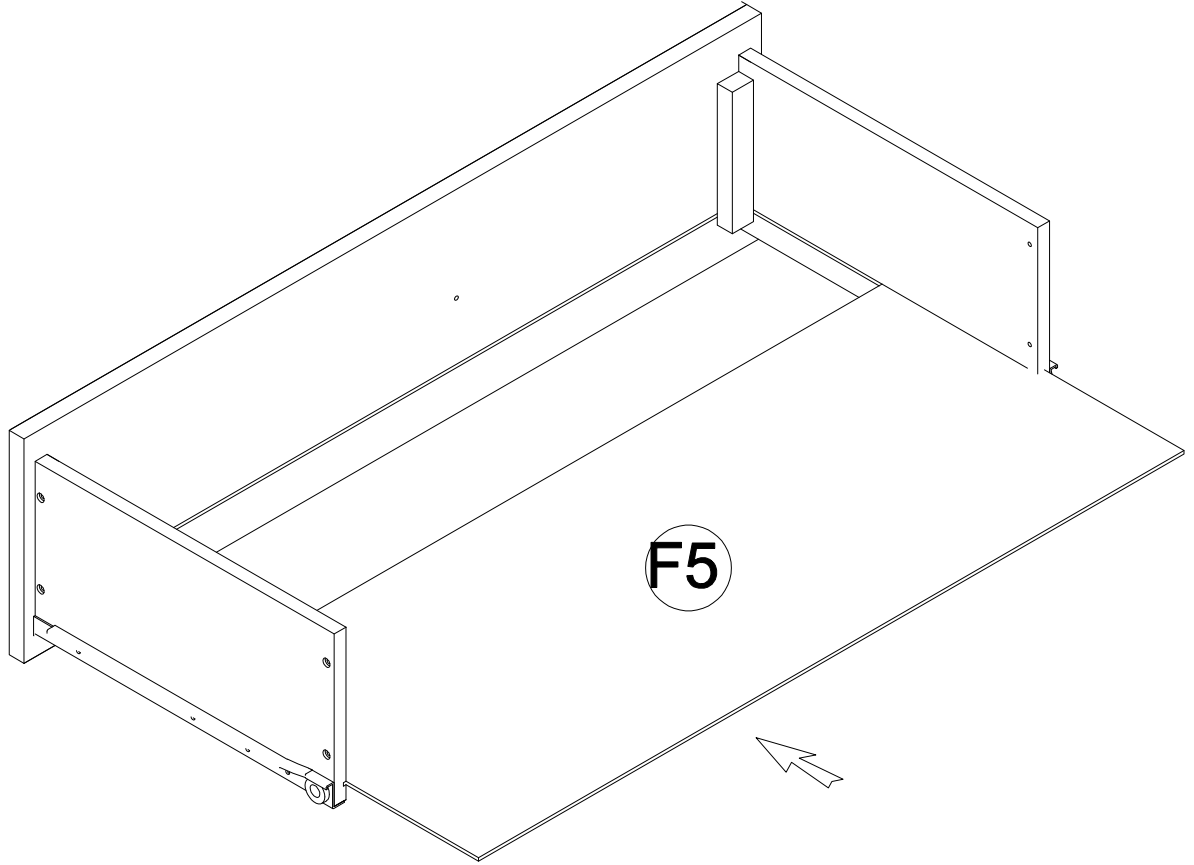
# STEP 16-2:ASSEMBLY DRAWER

11

4x3pcs



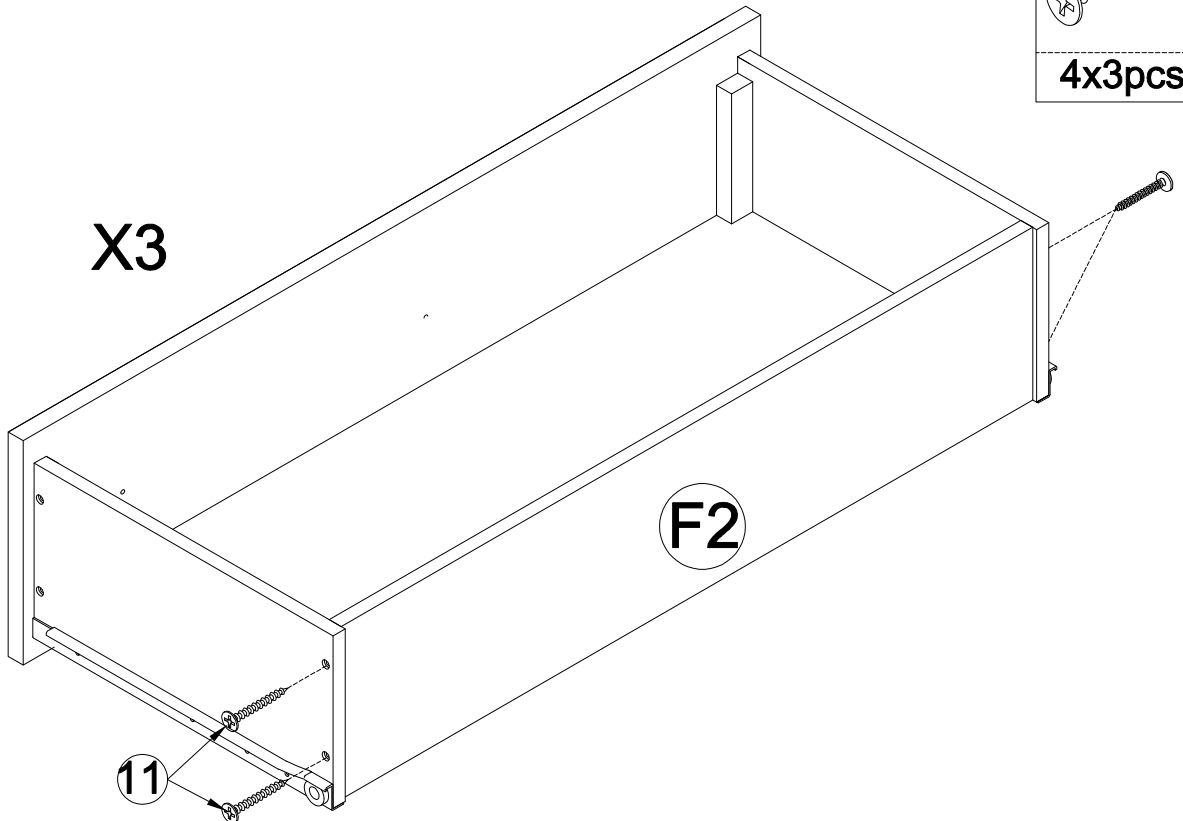
# STEP 16-3:ASSEMBLY DRAWER

X3

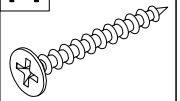


# STEP 16-4:ASSEMBLY DRAWER

X3

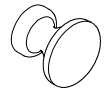
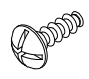


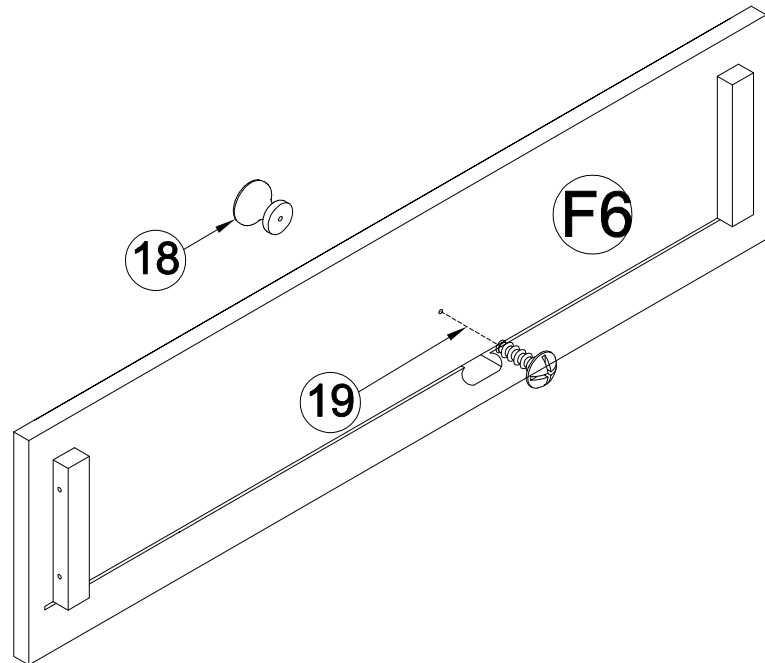
11



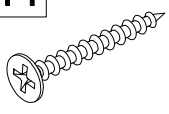
4x3pcs

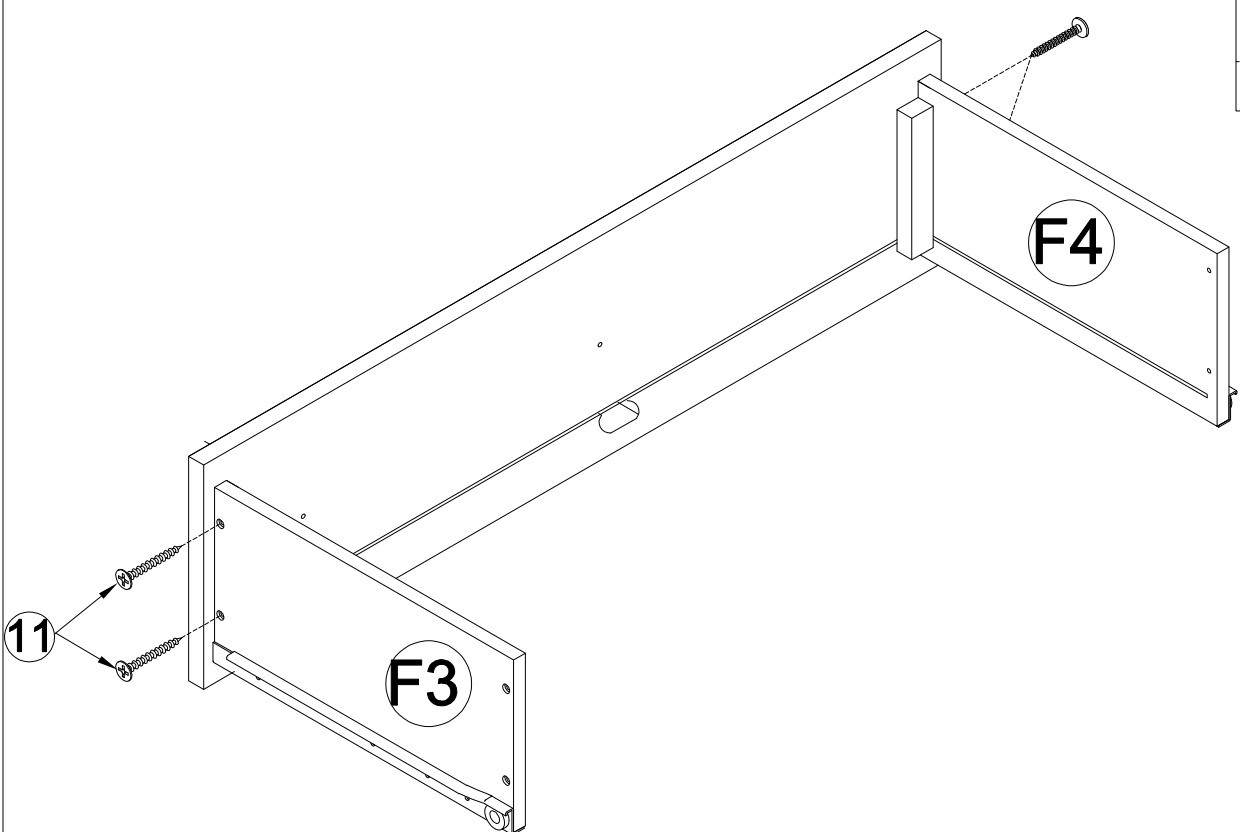
# STEP 17-1:ASSEMBLY DRAWER

18	19
	
1pc	1pc

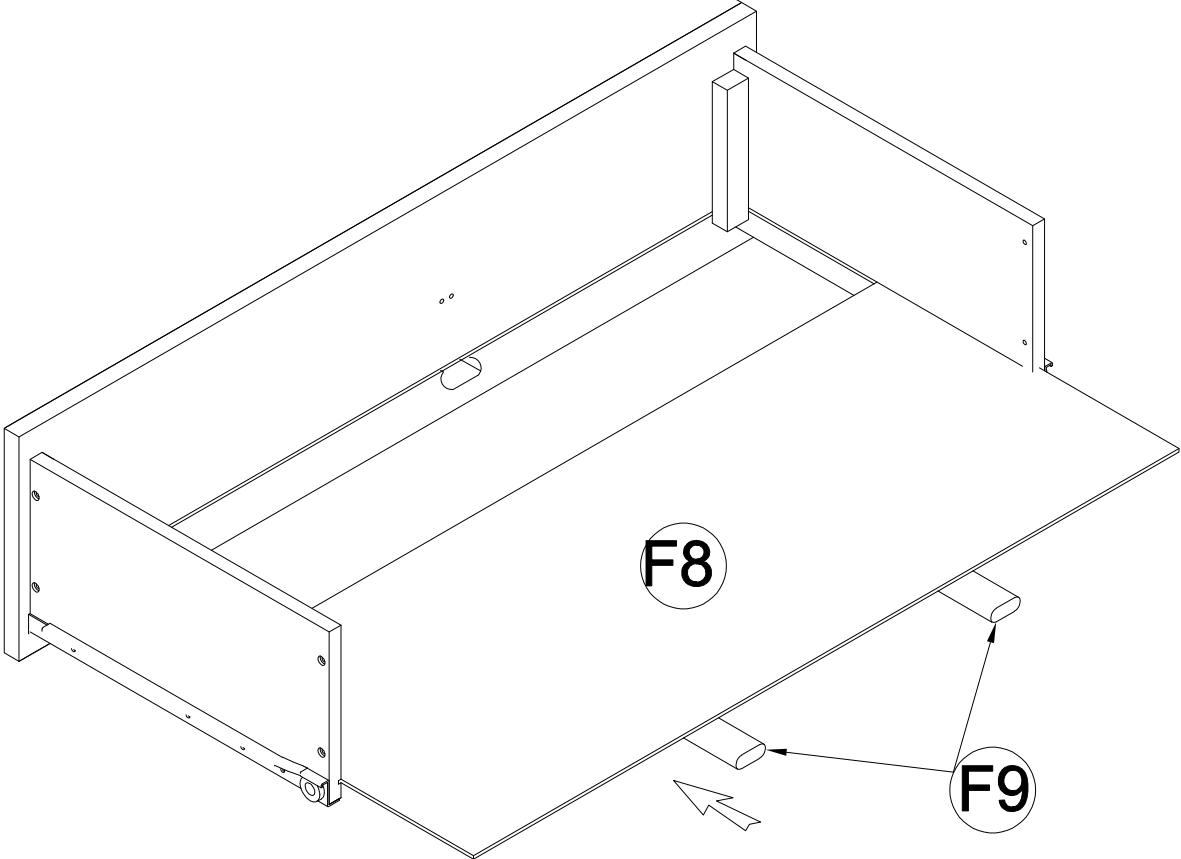


# STEP 17-2:ASSEMBLY DRAWER

11

4pcs

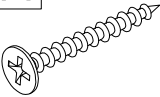


# STEP 17-3:ASSEMBLY DRAWER

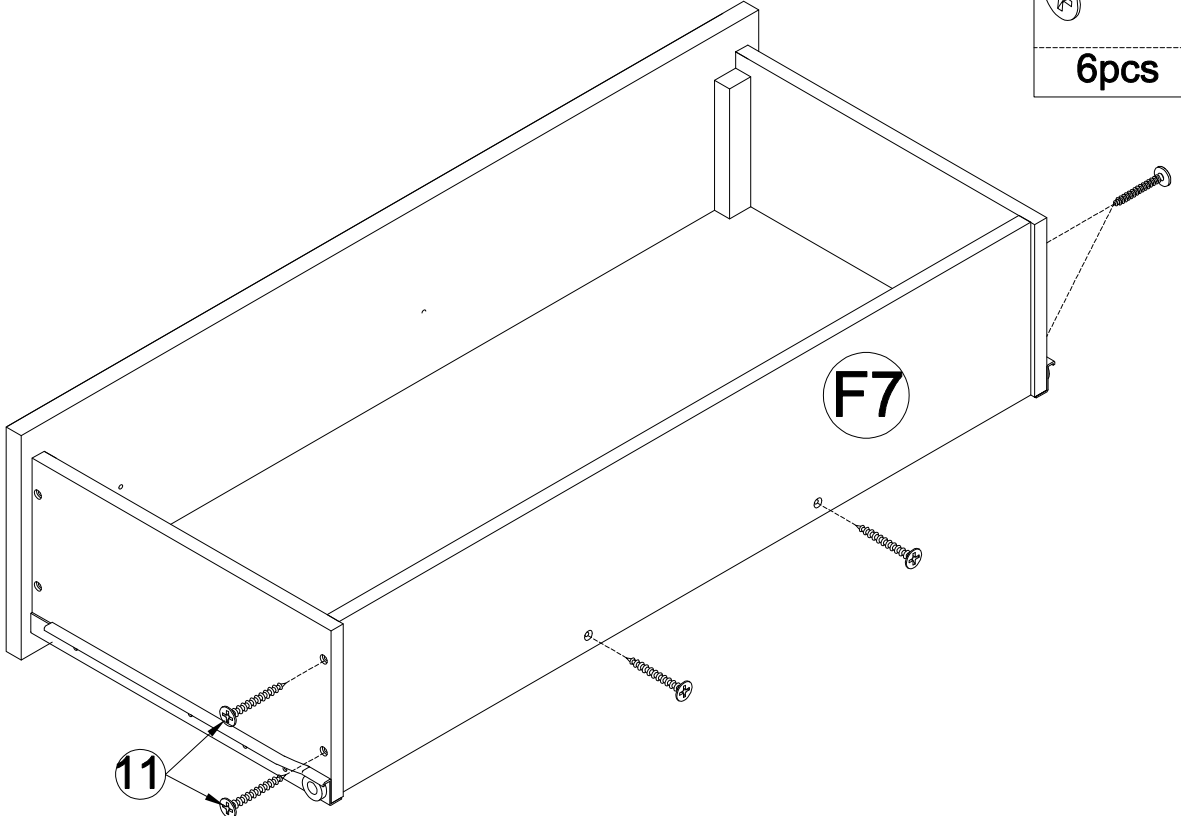


# STEP 17-4:ASSEMBLY DRAWER

11



6pcs



# STEP 18: CONGRARULATION. YOU HAVE COMPLETED THE BED.

just one more step to push 4 Drawer into it position

