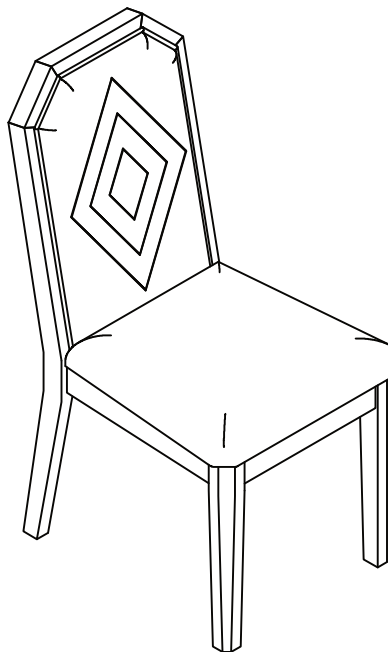


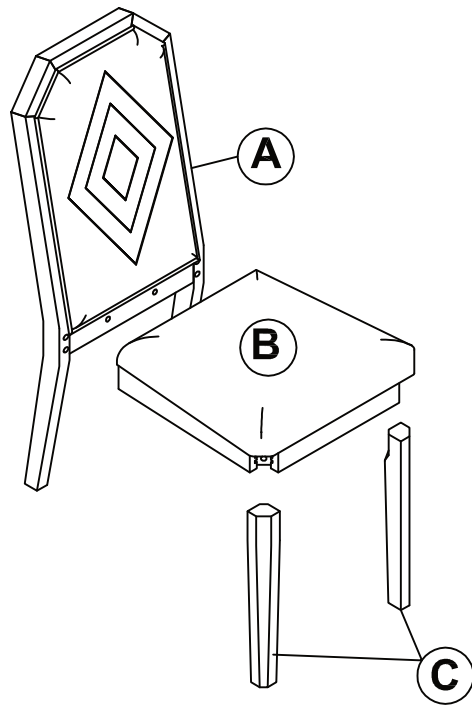
# ASSEMBLY INSTRUCTION

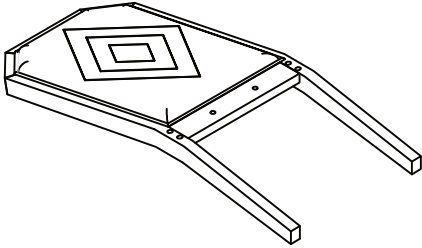

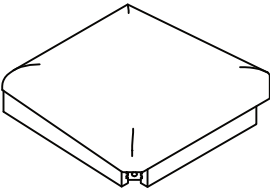
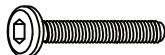
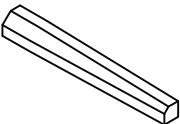
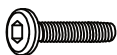



## ITEM : WF530057 DINING CHAIR




### IMPORTANT NOTE:


- ① PLACE ALL PARTS ON A CLEAN AND SMOOTH SURFACE SUCH AS A RUG OR CARPET TO AVOID THE PARTS FROM BEING SCRATCHED.
- ② BEFORE YOU BEGIN, KINDLY FOLLOW THE ASSEMBLY INSTRUCTIONS STEP BY STEP.
- ③ DO NOT TIGHTEN ALL SCREWS AND BOLTS UNTIL THE CHAIR IS FULLY SET-UP.




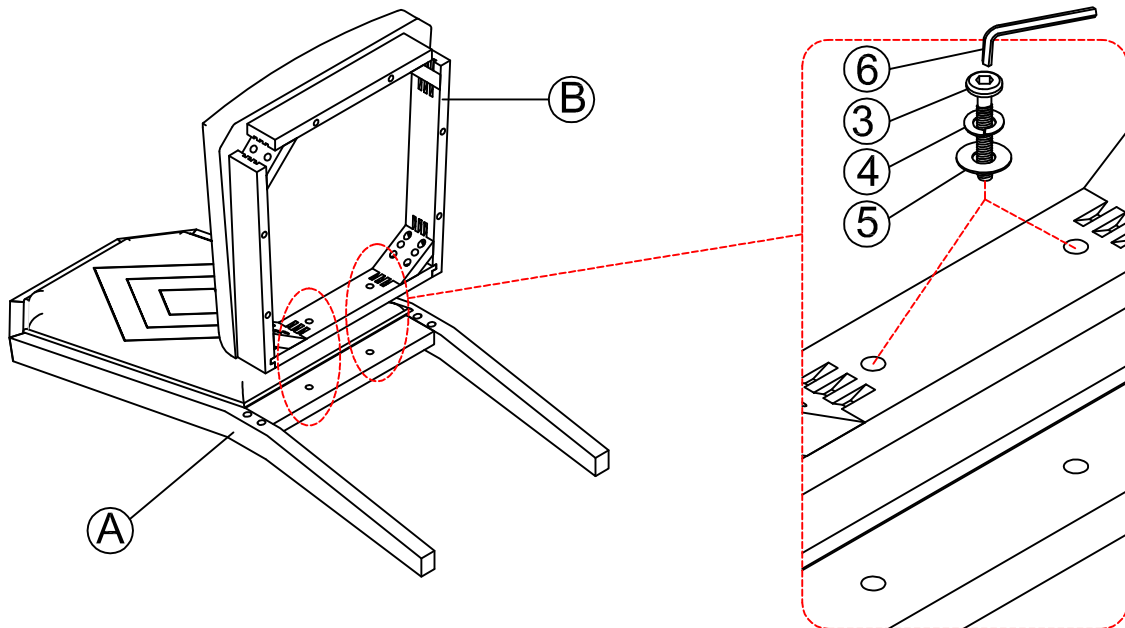
Part List For	Hardware List
<p><b>A</b></p>  <p>Backrest (1pc)</p>	<p><b>1</b>  Ø1/4"x 3 3/8"</p> <p>Bolt long (4pcs)</p>
<p><b>B</b></p>  <p>Seat Frame (1pc)</p>	<p><b>2</b>  Ø1/4"x 2 3/8"</p> <p>Bolt middle (4pcs)</p>
<p><b>C</b></p>  <p>Front Leg (2pcs)</p>	<p><b>3</b>  Ø1/4"x 1 1/2"</p> <p>Bolt short (2pcs)</p>
	<p><b>4</b>  Ø1/4"x 11mm</p> <p>LOCK WASHER (10pcs)</p>
	<p><b>5</b>  Ø1/4"x 19mm</p> <p>FLAT WASHER (10pcs)</p>
	<p><b>6</b>  4mm</p> <p>ALLEN KEY (1pc)</p>

## Step 1


Bolt short   
Ø1/4"x 1 1/2"  
③ x 2


Lock washer   
Ø1/4"x 11mm  
④ x 2


Flat washer   
Ø1/4"x 19mm  
⑤ x 2

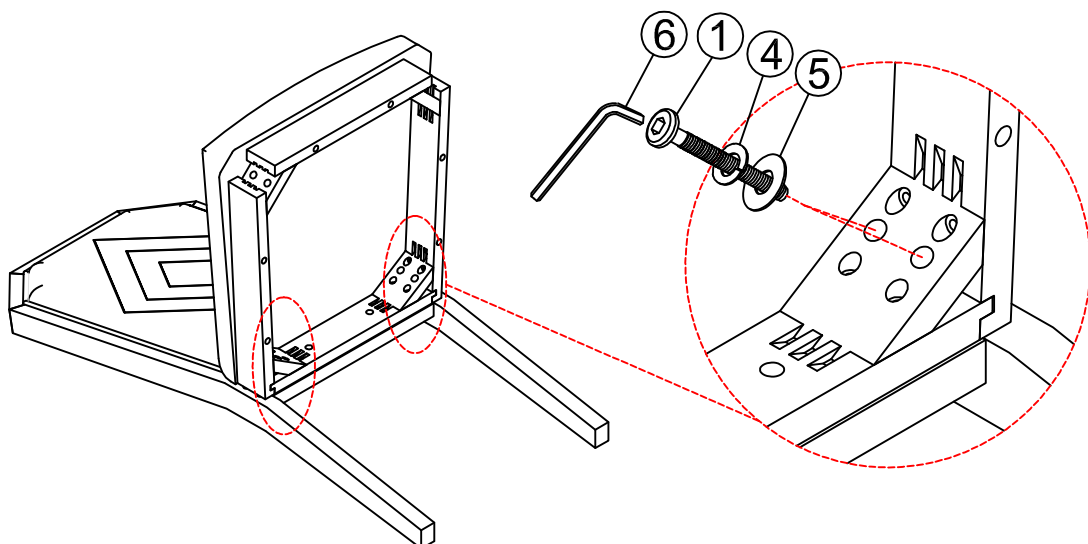


## Step 2


Bolt long   
Ø1/4"x 3 3/8"  
① x 4


Lock washer   
Ø1/4"x 11mm  
④ x 4


Flat washer   
Ø1/4"x 19mm  
⑤ x 4

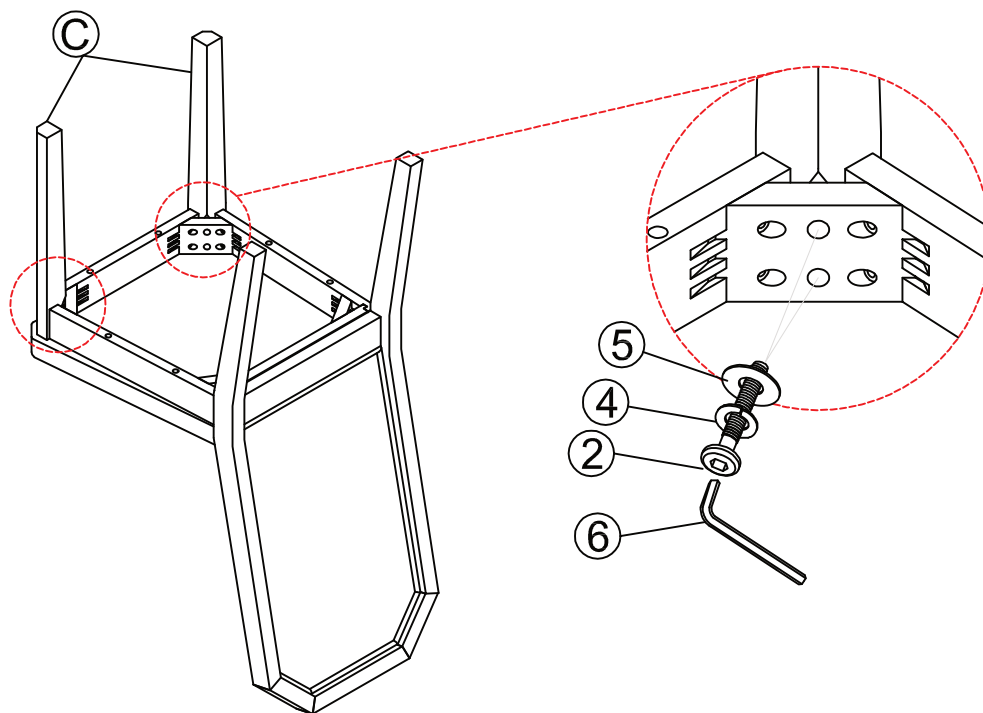


## Step 3

Bolt middle   
Ø1/4"x 1 1/2"  
② x 4

Lock washer   
Ø1/4"x 11mm  
④ x 4

Flat washer   
Ø1/4"x 19mm  
⑤ x 4



## Complete

