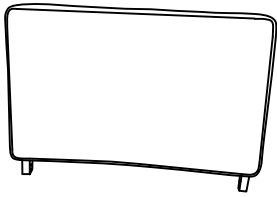


# ASSEMBLY INSTRUCTION

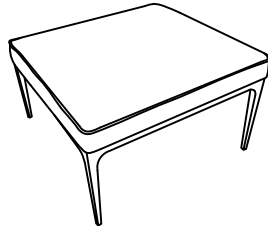
## CHAIR

**A** Chair Back



1pc

**B** Chair Seat



1pc

**C** Bolt  
1/4"x1-1/4"



4pcs

**D** Allen Key  
1/4"



1pc

**E** Flat Washer  
1/4"

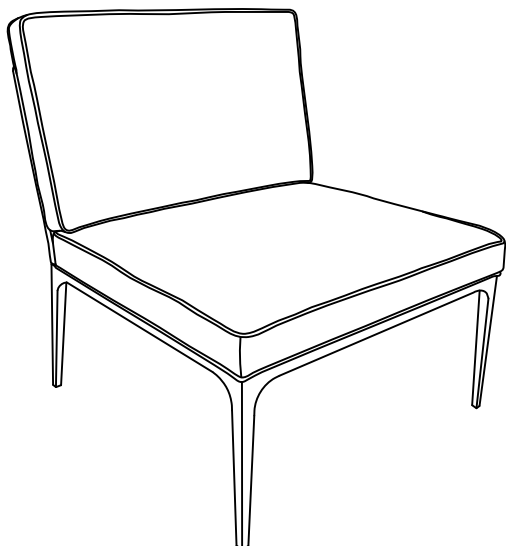


4pcs

**F** Spring Washer  
1/4"

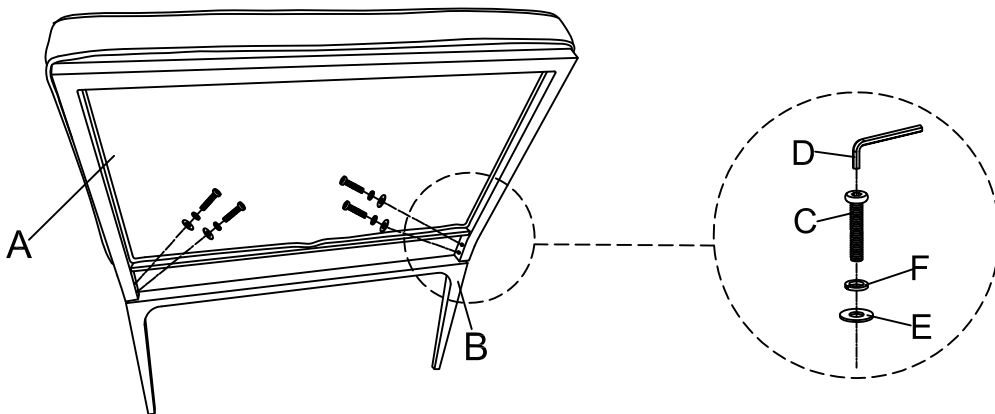


4pcs



This page lists all the contents included in the box. Please take the time to identify the hardware as well as the individual components to this product. As you unpack and prepare for assembly, place the contents on a carpeted or padded area to protect them from damage.

**1** Attach Chair Back(A) to Chair Seat(B) using Allen Key(D), Flat Washer(E), Spring Washer(F) and Bolt(C). DO NOT TIGHTEN COMPLETELY UNTIL THE END.



---

### Cleaning & Care

Treat surface with care. Surface is resistant to scratches but is not scratch resistant. Clean surfaces with a dry or damp soft cloth. Do not use abrasive cleaners. Hardware may loosen over time. Periodically check that all connections are tight.