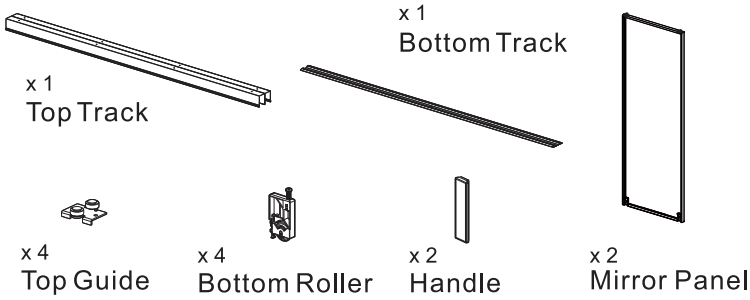
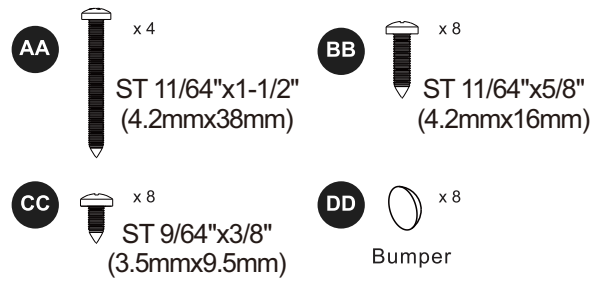


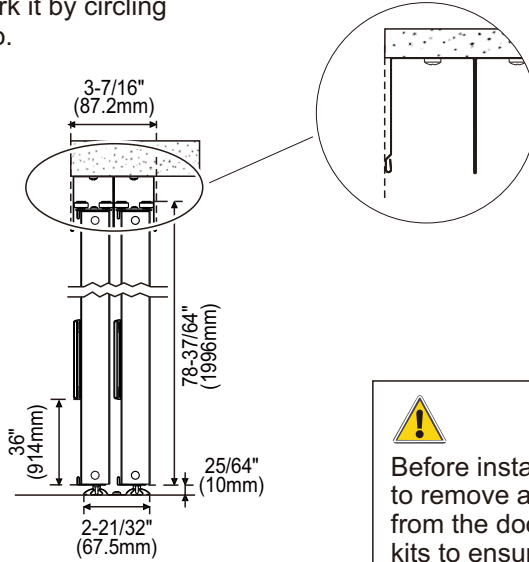
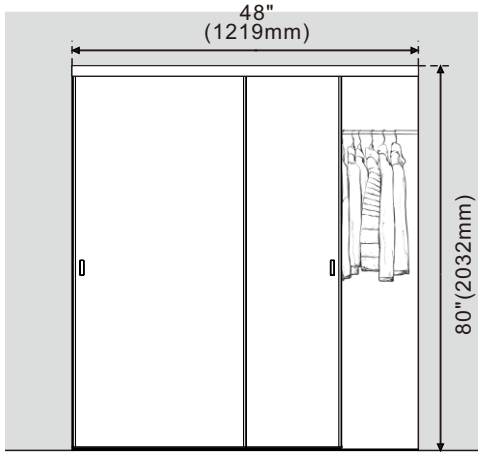
## PACKAGE CONTENTS



## HARDWARE CONTENTS

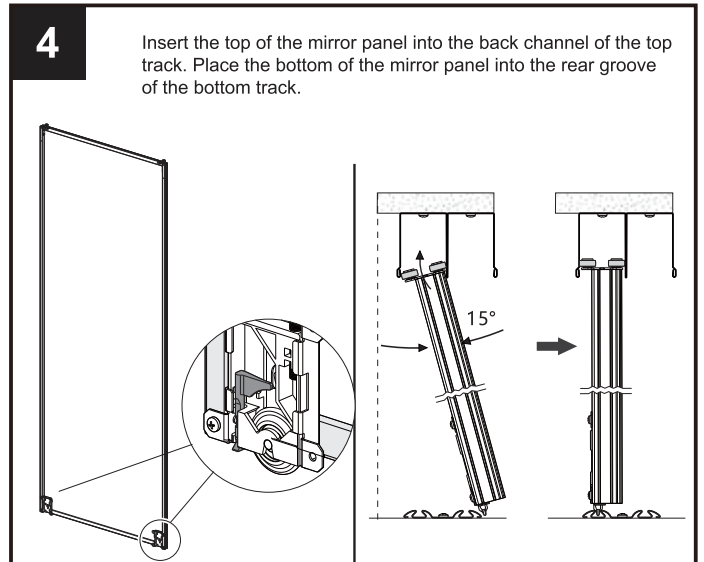
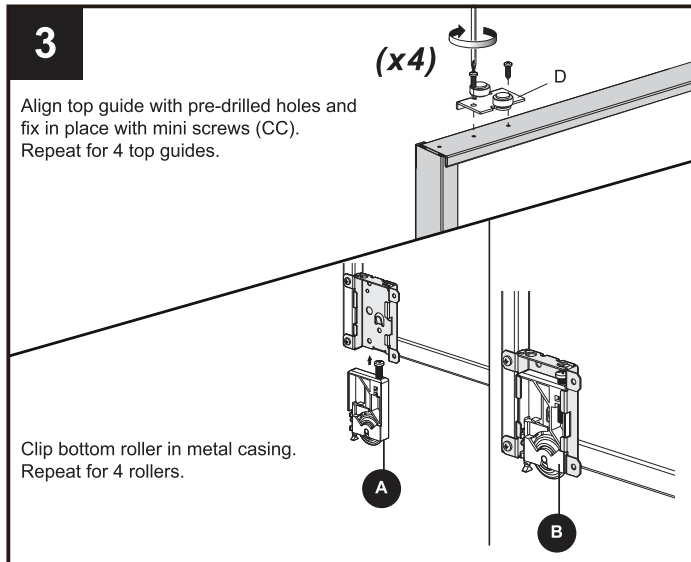
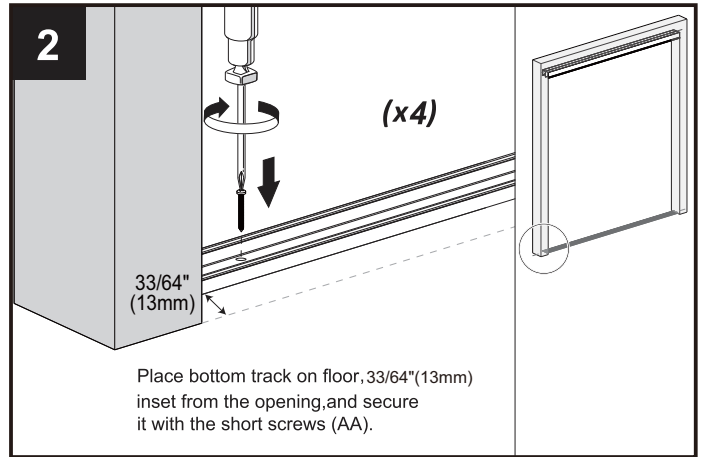
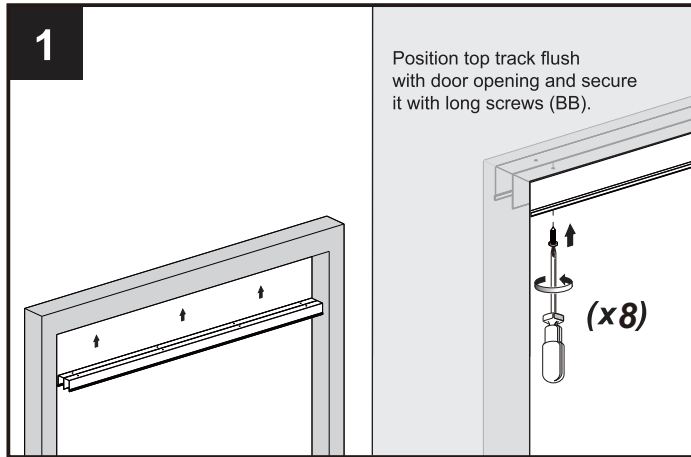


To provide feedback on a particular part, please mark it by circling in the instruction manual and kindly send us a photo.



**!** Before installation, you will need to remove all the protective films from the door panels and hardware kits to ensure a perfect appearance.

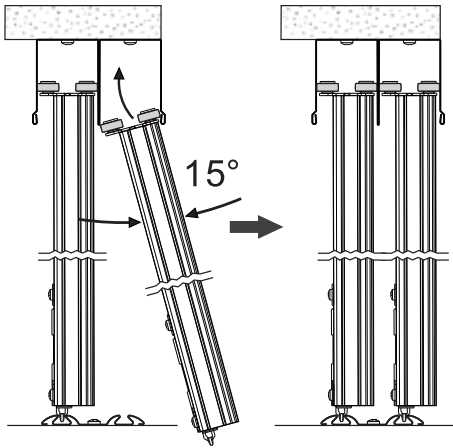
## INSTALLATION INSTRUCTIONS



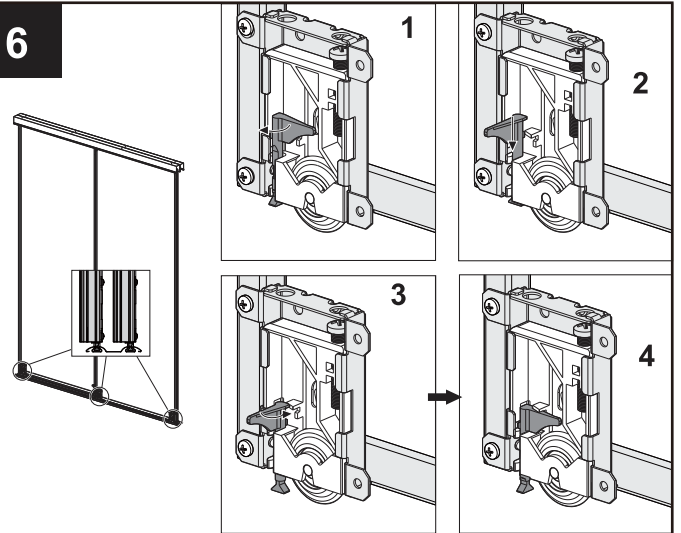
## INSTALLATION INSTRUCTIONS

5

Insert the 2nd mirror panel by repeating step 4 on the front channel of top and bottom tracks.

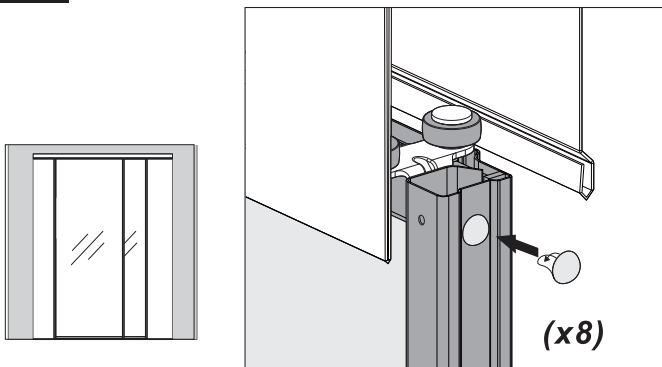


6



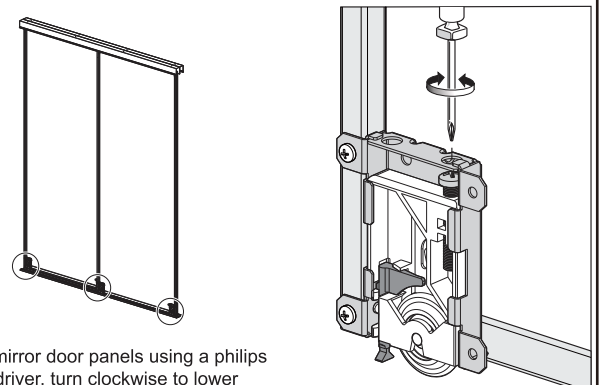
Lock bottom rollers in bottom track following the diagrams.

7



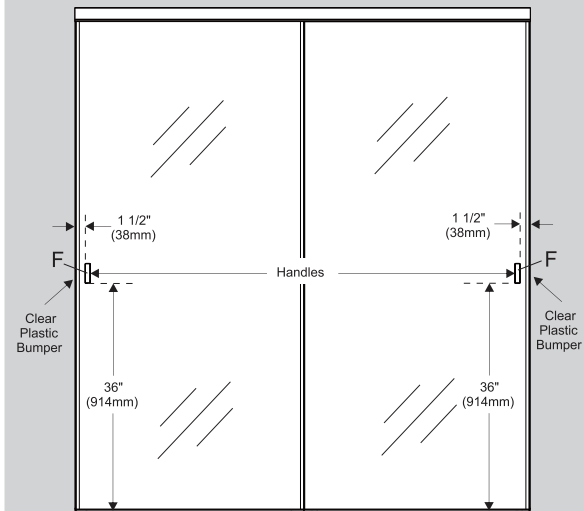
Attach bumpers on the edge of each side of both mirror panel at top and bottom.

8



Adjust mirror door panels using a philips screwdriver. turn clockwise to lower the mirror panel and counterclockwise to raise the mirror panel.

9



Clean the mirror. Measure 36" (914mm) up from the bottom and 1 1/2" (38mm) in from the edge of the mirror. Carefully align the handle with the marks, then press firmly onto the mirror.

## USE & CARE

### Maintenance:

- Inspect the tracks and rollers for any dirt, debris, or obstructions. Clean them using a soft brush or cloth as needed.
- Check the alignment of the door periodically and adjust if necessary to prevent uneven wear and tear.

### Cleaning:

- Wipe down the mirror door panels and frame with a soft, damp cloth to remove dust and dirt.
- Avoid using abrasive cleaners or solvents, as they may damage the surface finish.
- Dry the door thoroughly after cleaning to prevent water damage.