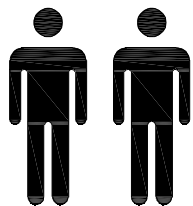


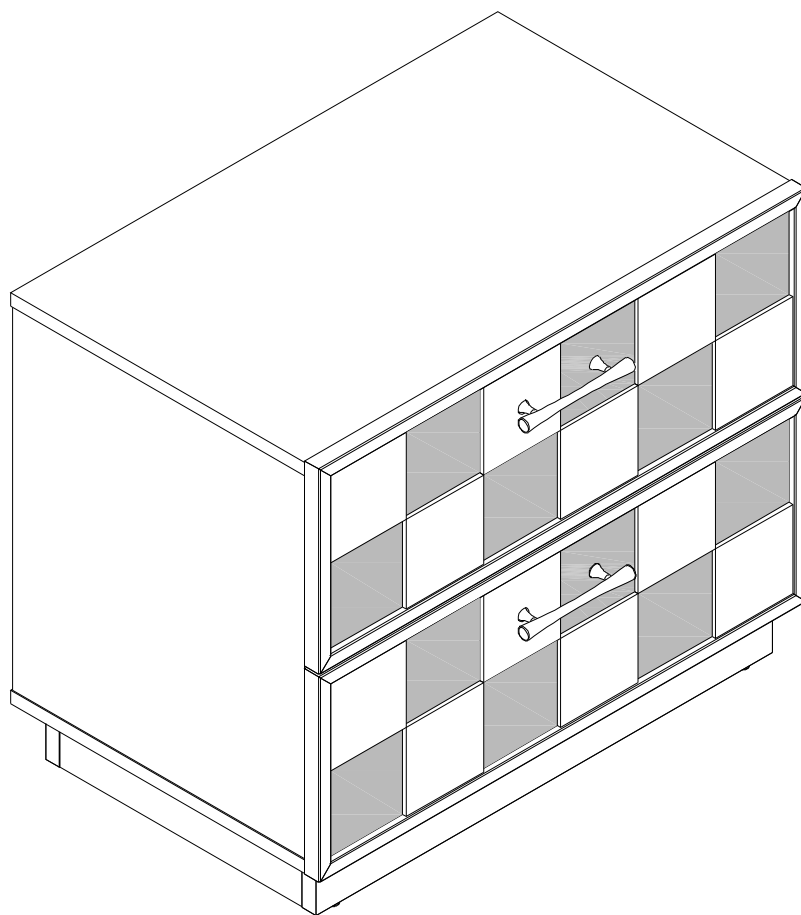
# ASSEMBLY INSTRUCTION

If there are any questions during the assembly process.

A video and description about the step you were stucked will help us to understand the problem quickly.

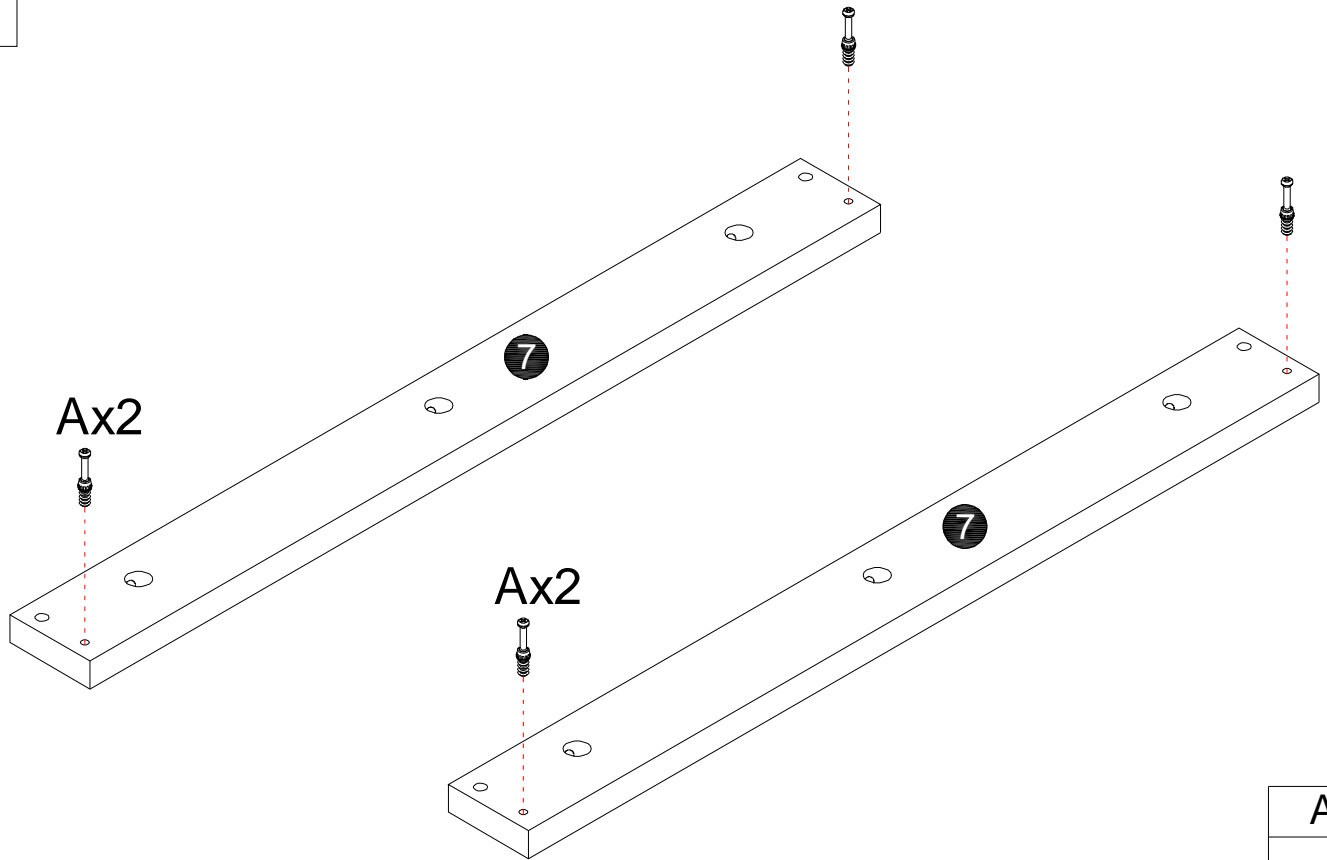


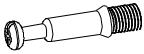
2 person required to  
assemble this product



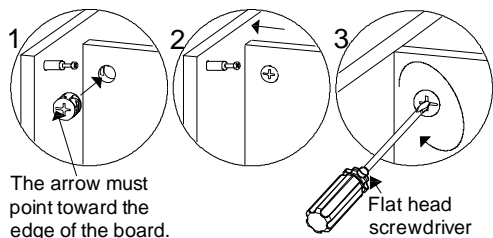
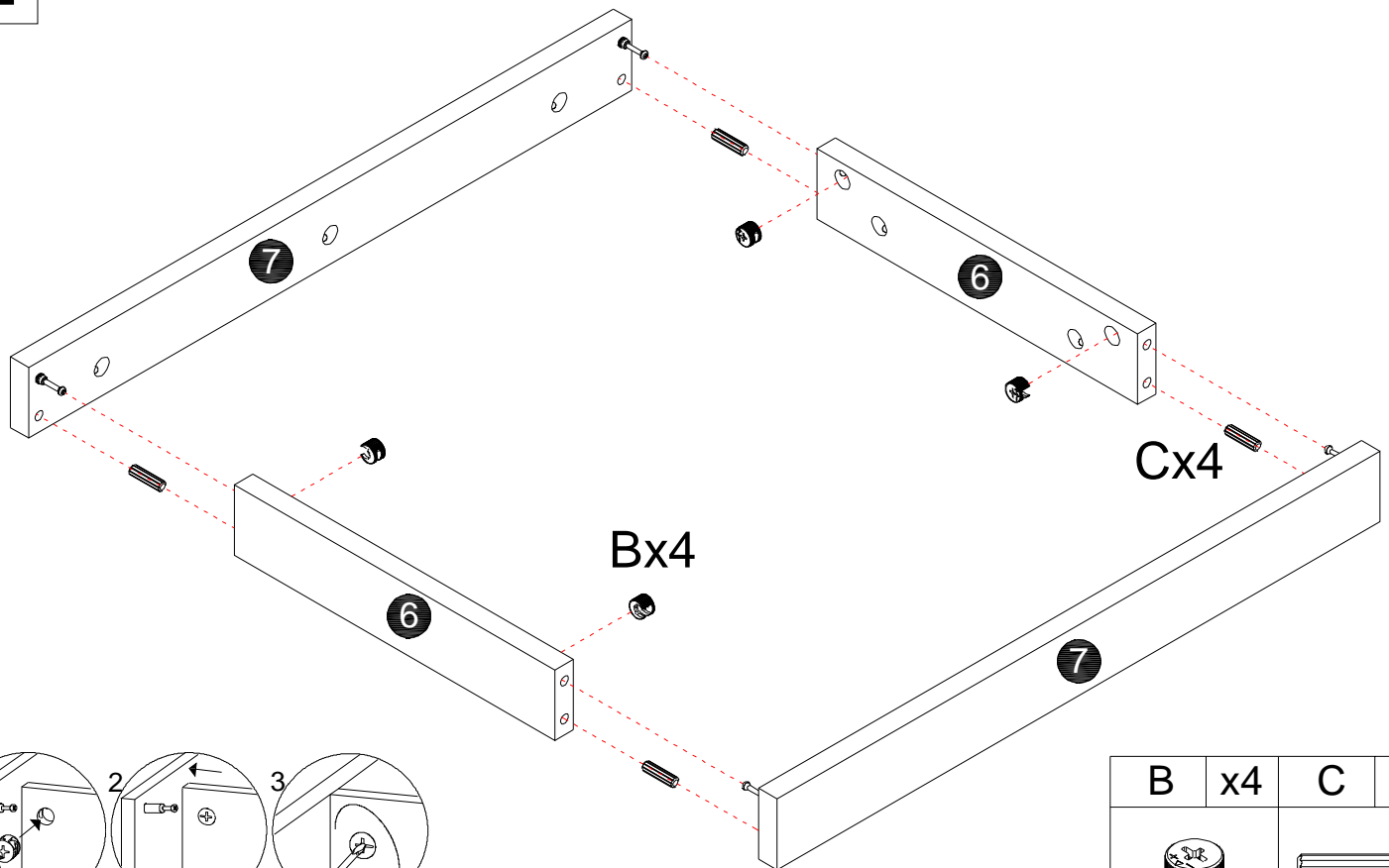




1



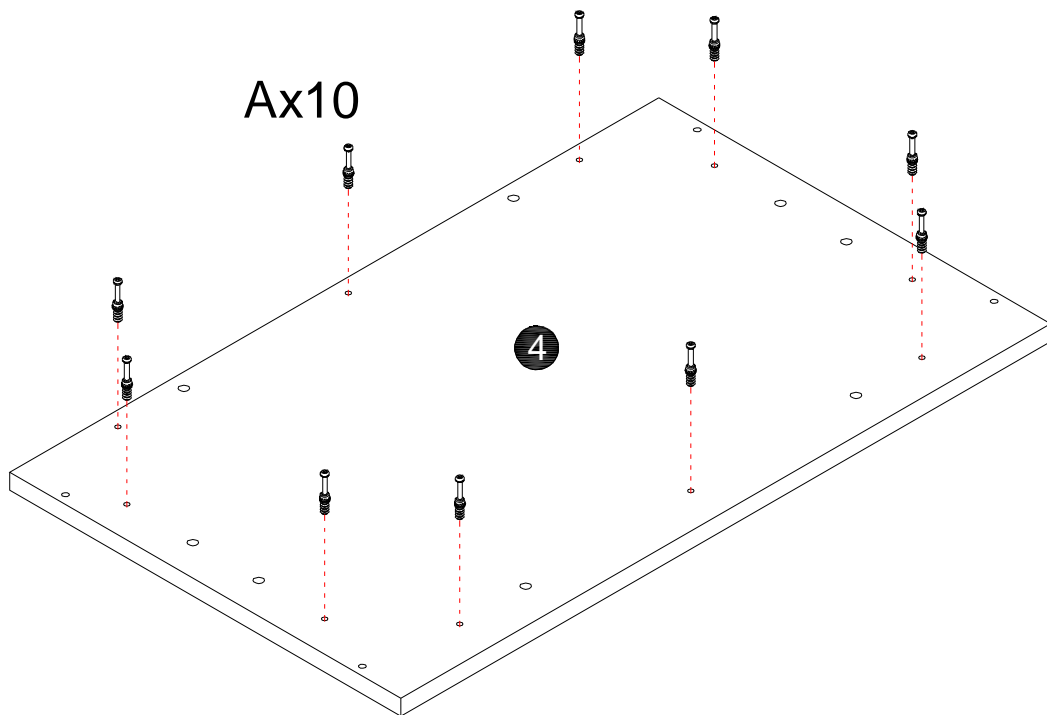
A	x4
	
M6x35mm	

2

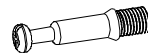


B	x4	C	x4
			
ø15mm		ø8x30mm	

# 3

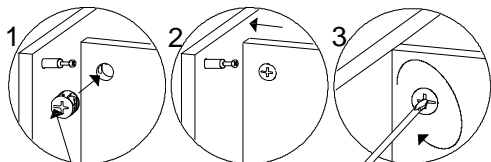
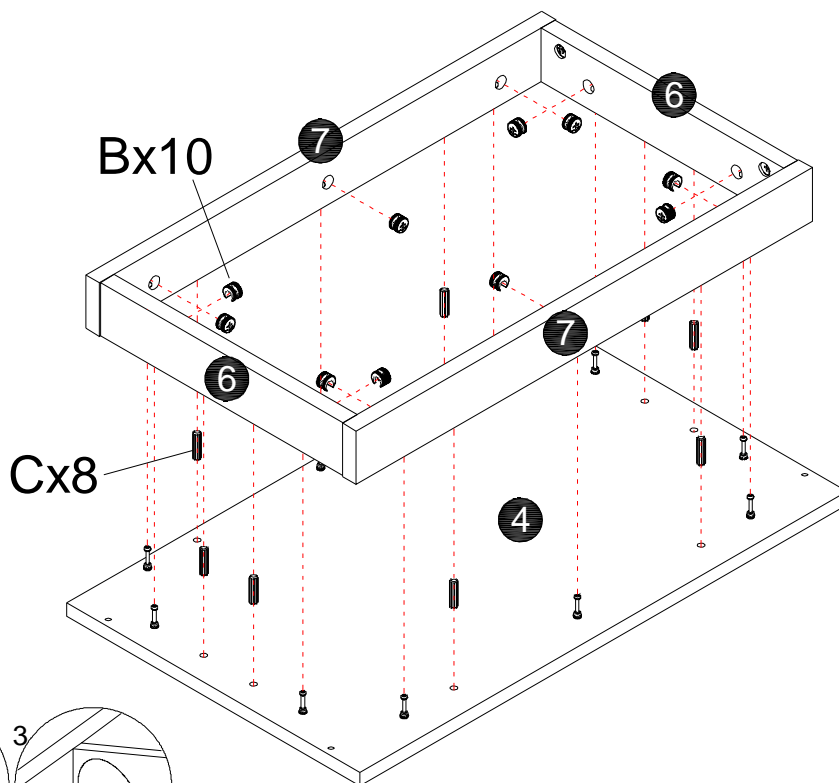


A x10



M6x35mm

# 4



The arrow must point toward the edge of the board.



B x10



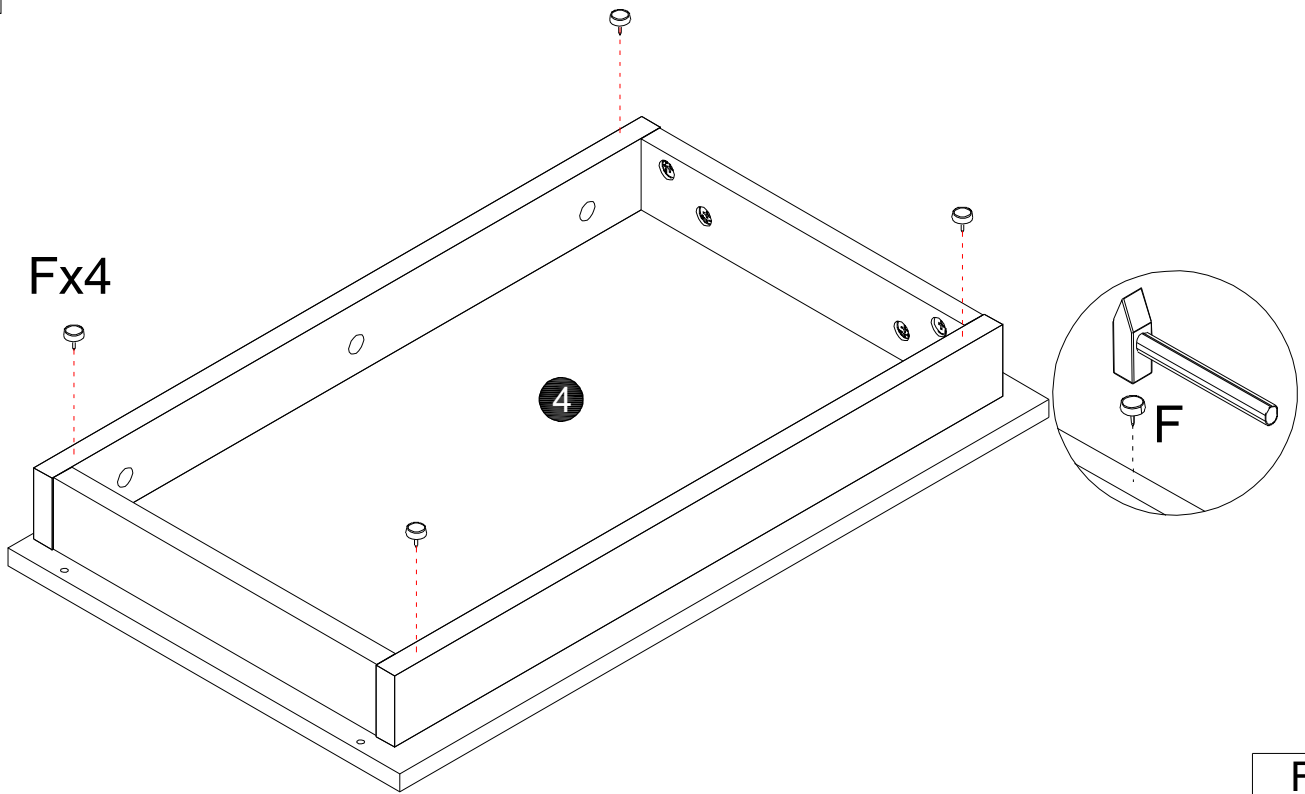
Ø15mm

C x8



Ø8x30mm

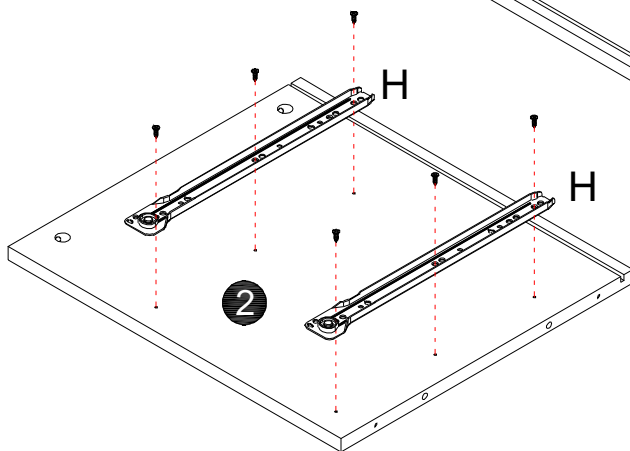
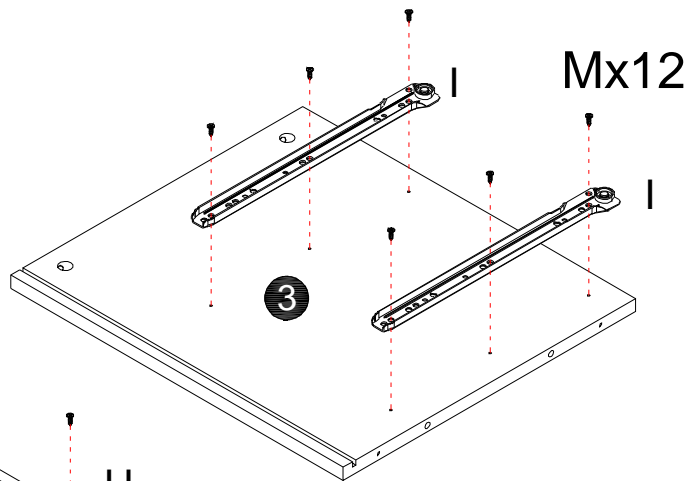
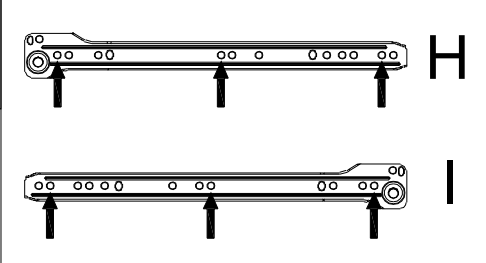
5



F x4

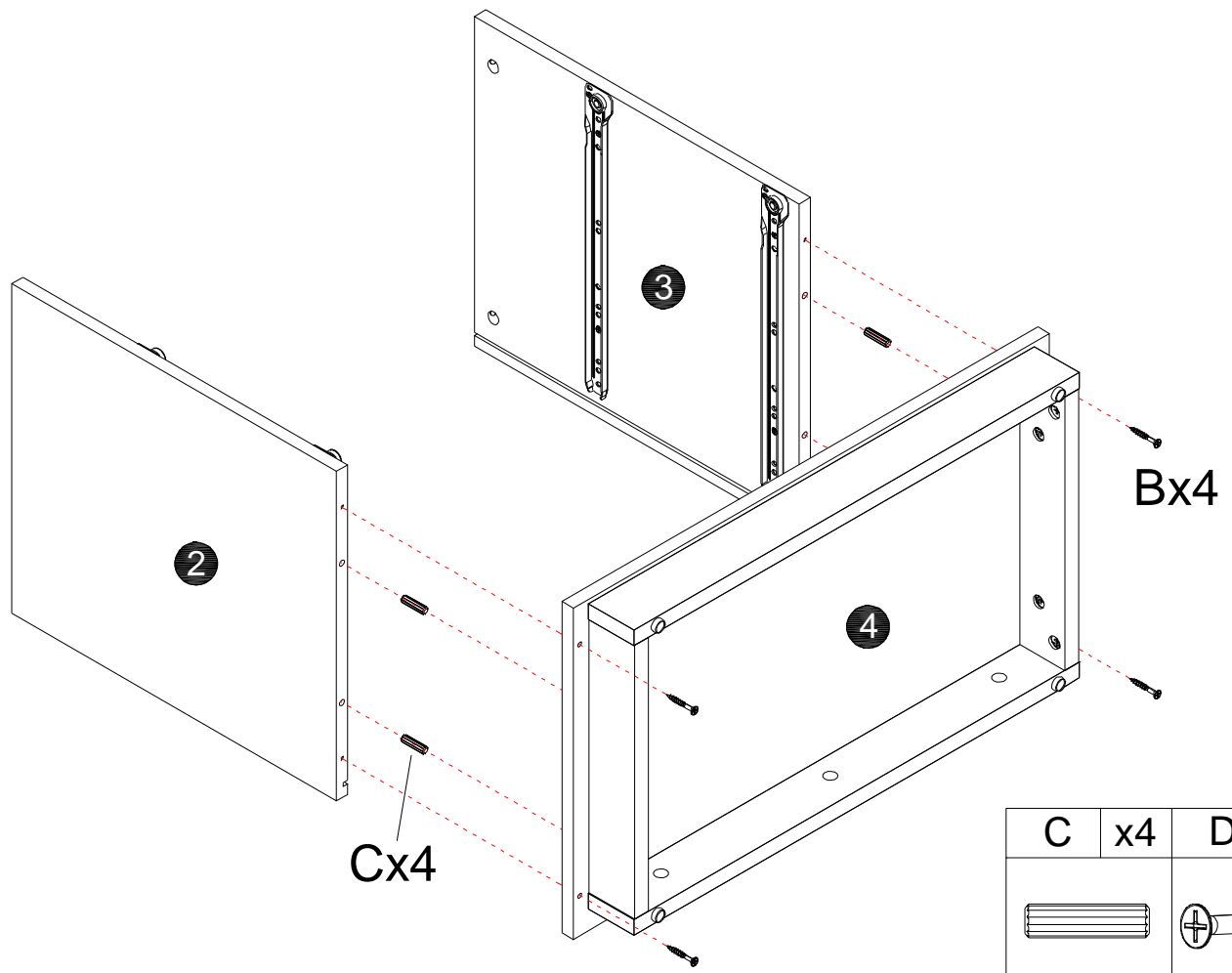


6

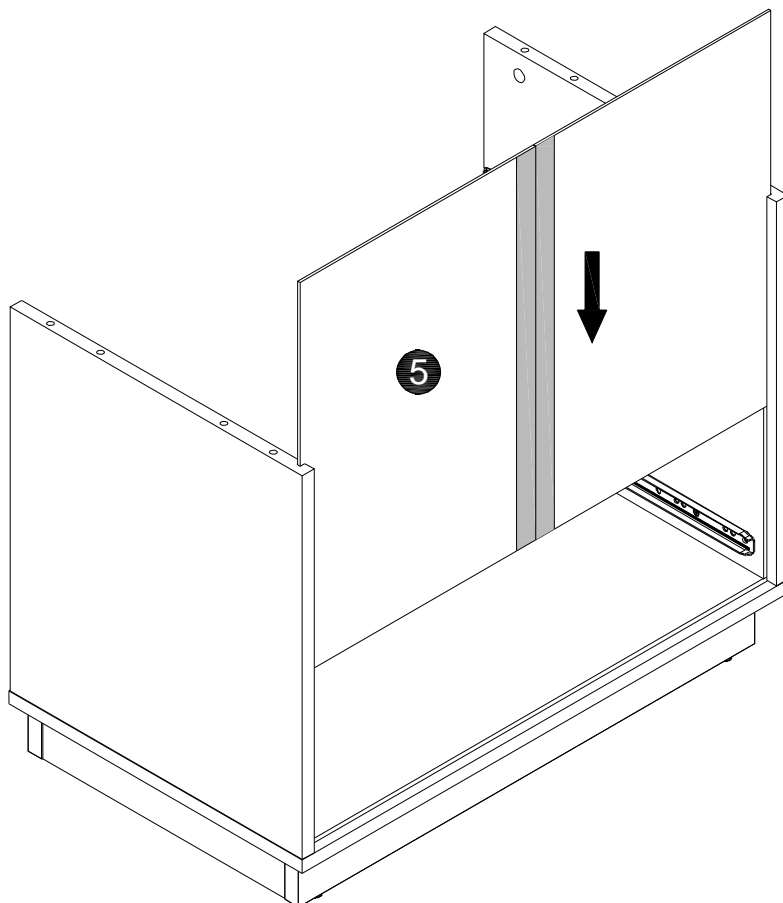


H	x2	I	x2	M	x12
					M3.5x12mm

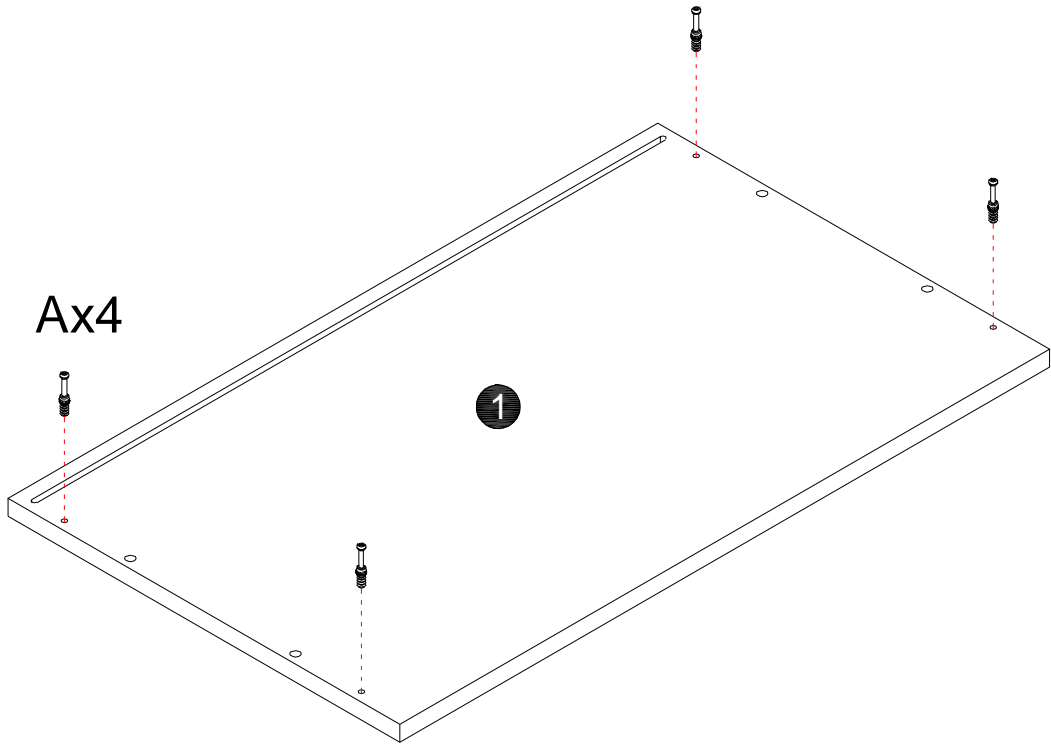
7




8



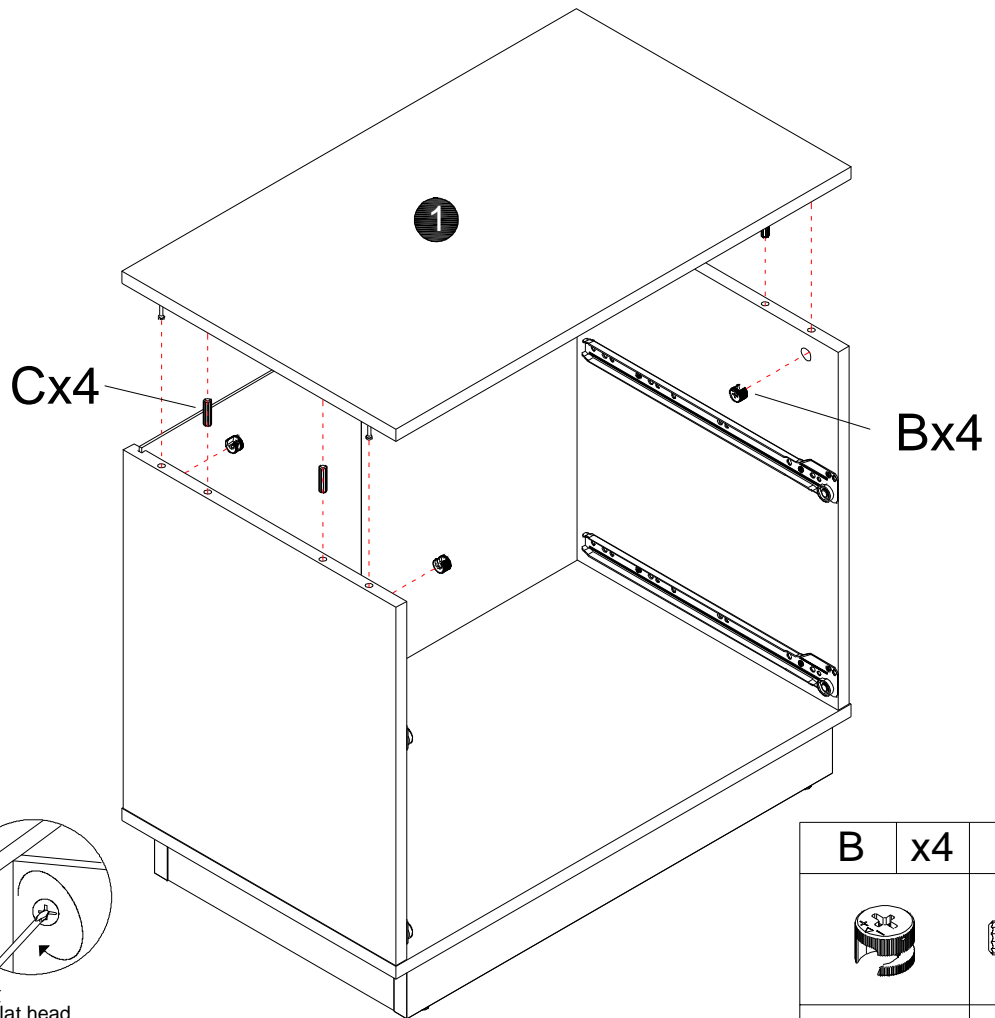
9



Ax4

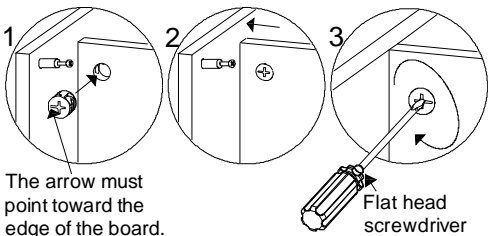
A	x4
	
M6x35mm	

10





Cx4

Bx4

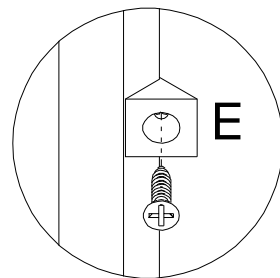
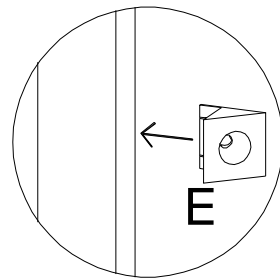
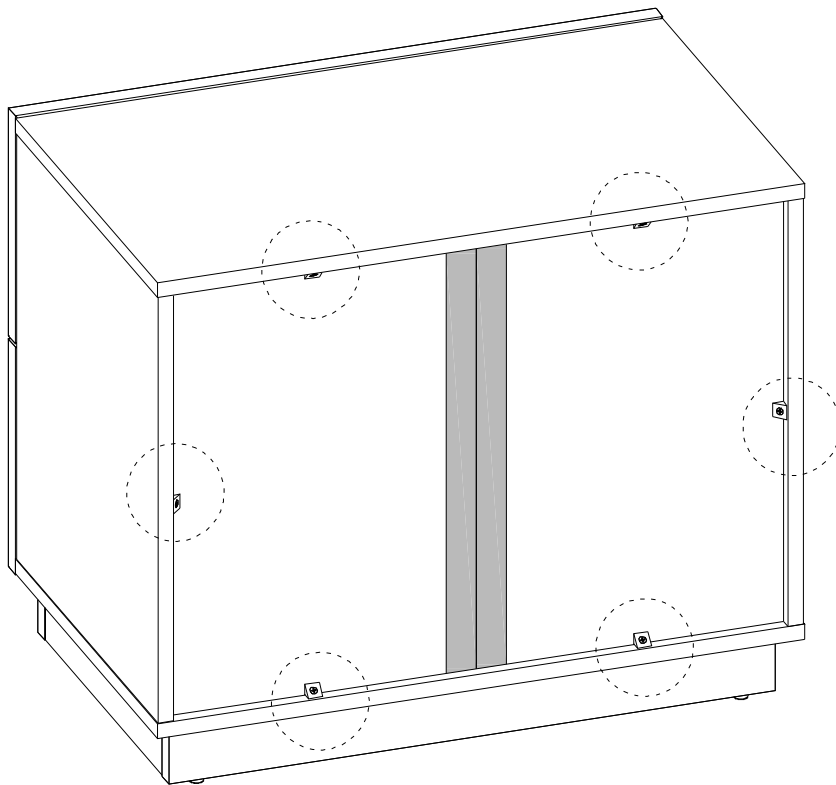


The arrow must point toward the edge of the board.

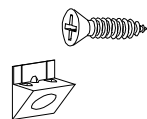
Flat head screwdriver

B	x4	C	x4
			
ø15mm		ø8x30mm	

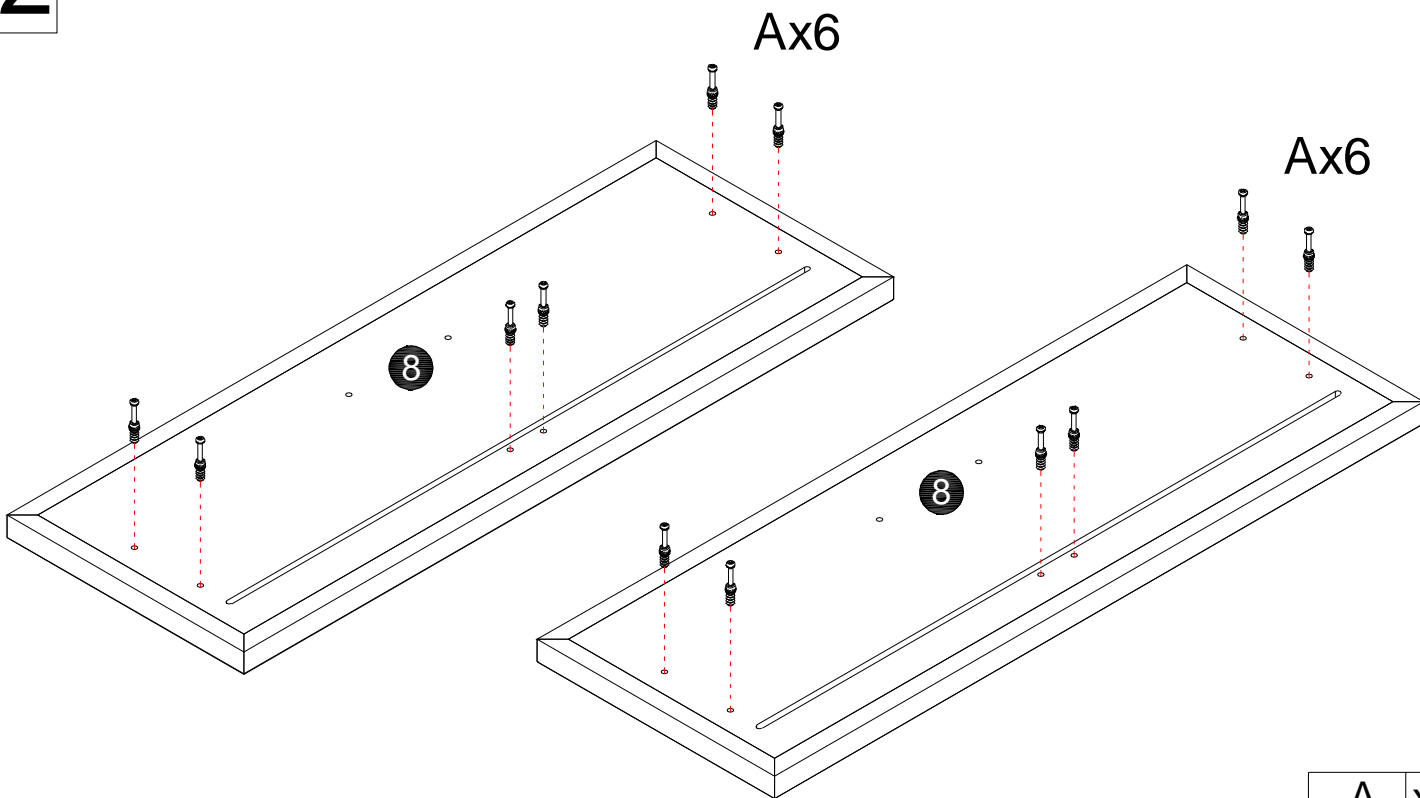
11



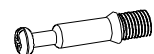
E x6



12

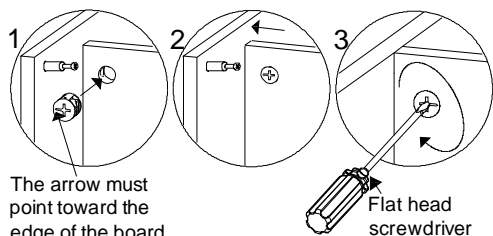
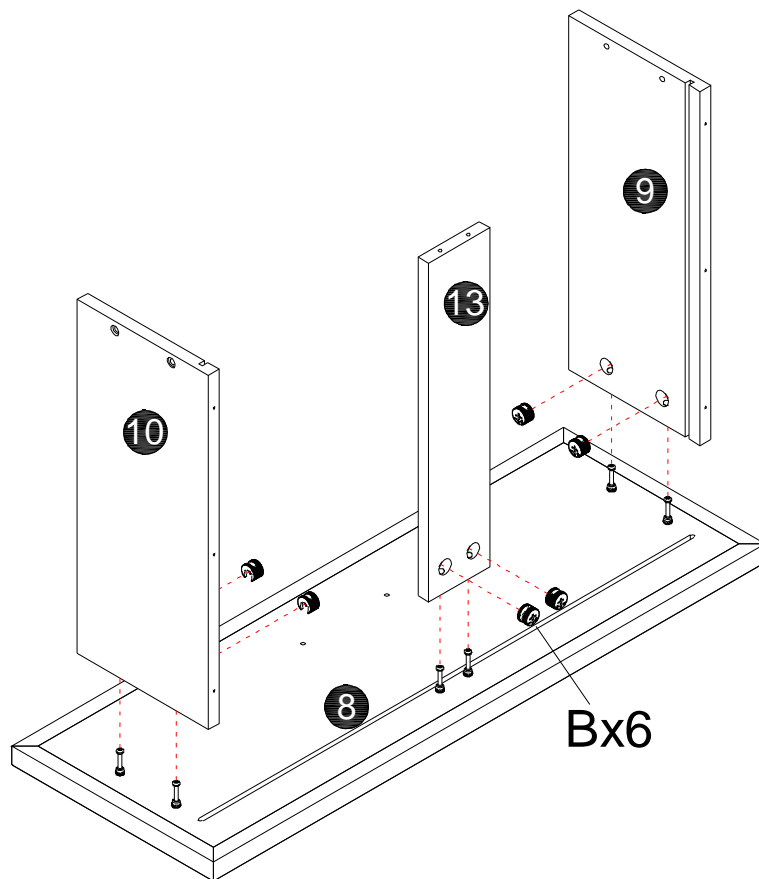


A x12



M6x35mm

# 13



The arrow must point toward the edge of the board.

Flat head screwdriver

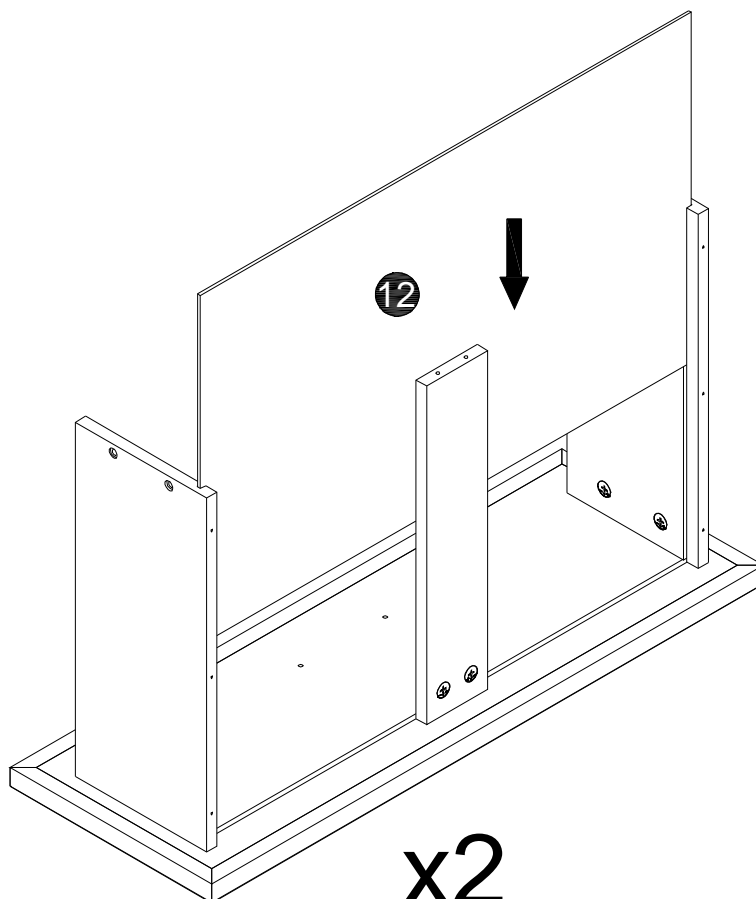
x2

B x12



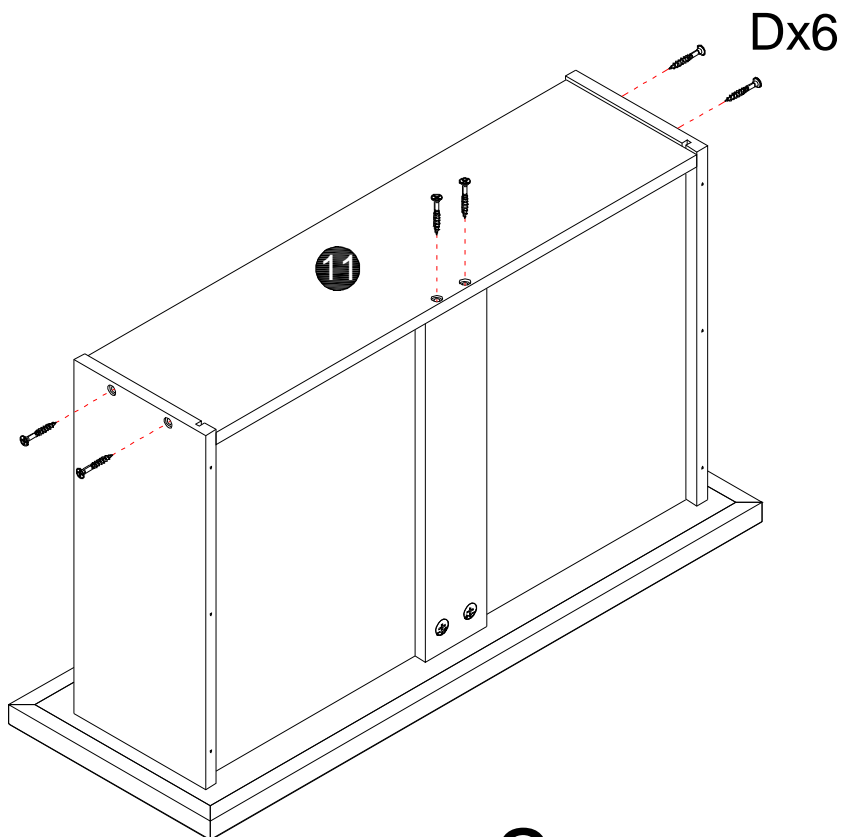
φ15mm

# 14



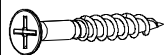
x2

15



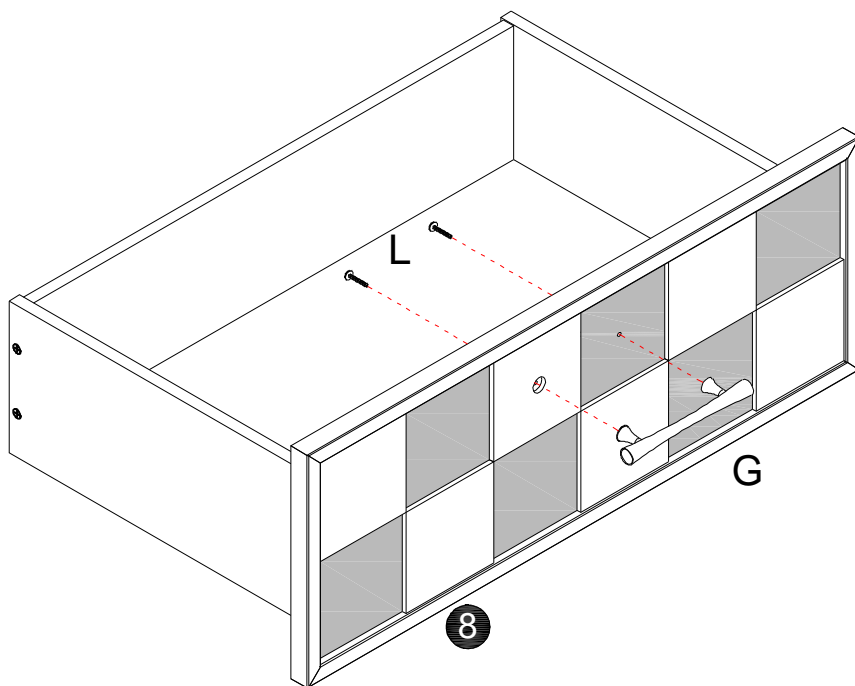
x2

D	x12
---	-----



M5x38mm

16



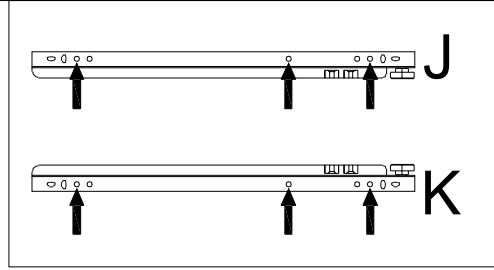
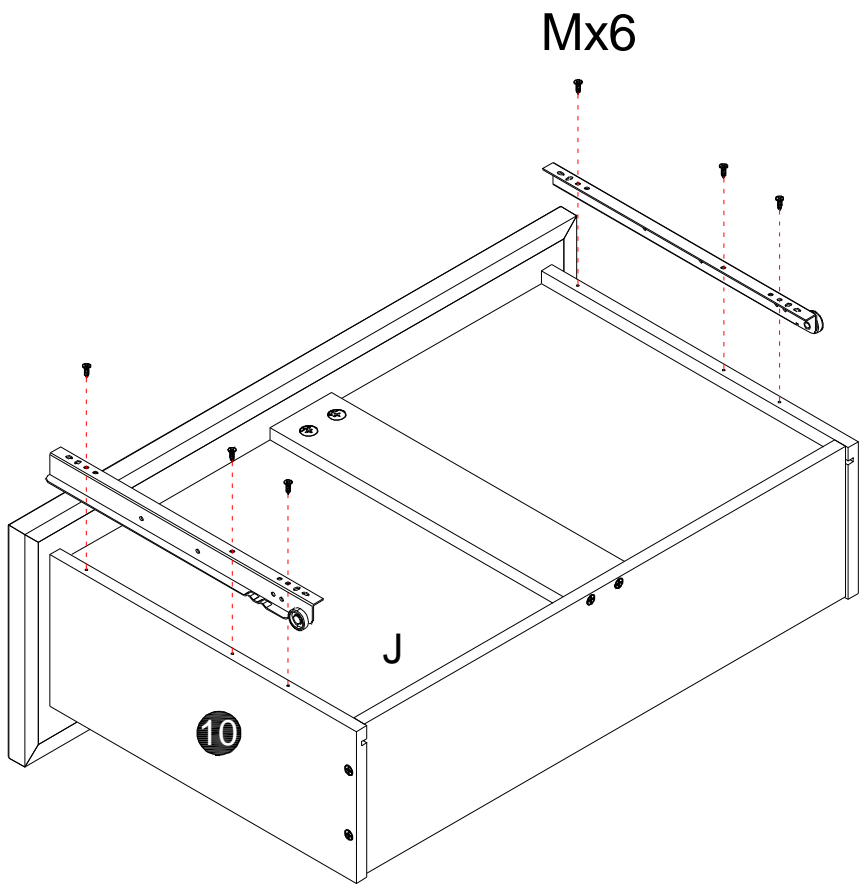
x2

G	x2	L	x4
---	----	---	----



M4x20mm

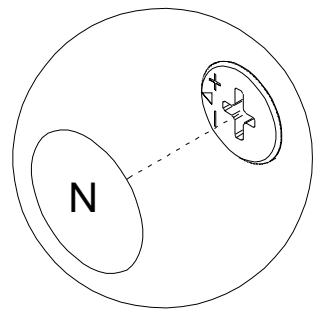
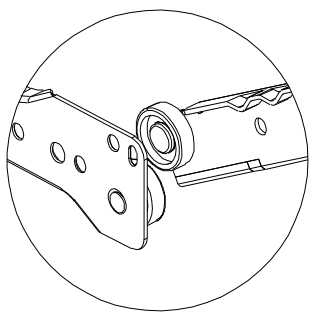
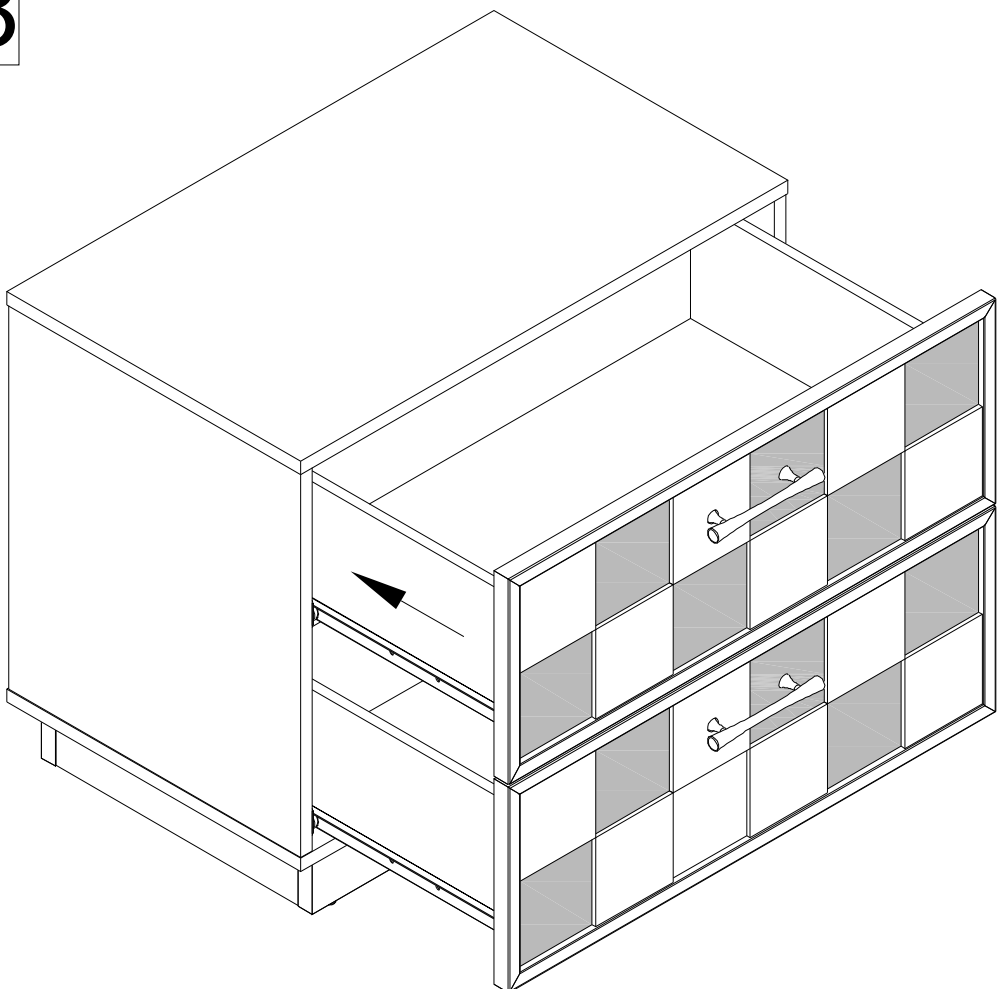
17



J	x2	K	x2	M	x12
				M3.5x12mm	

x2

18



N	x3
ø25	

