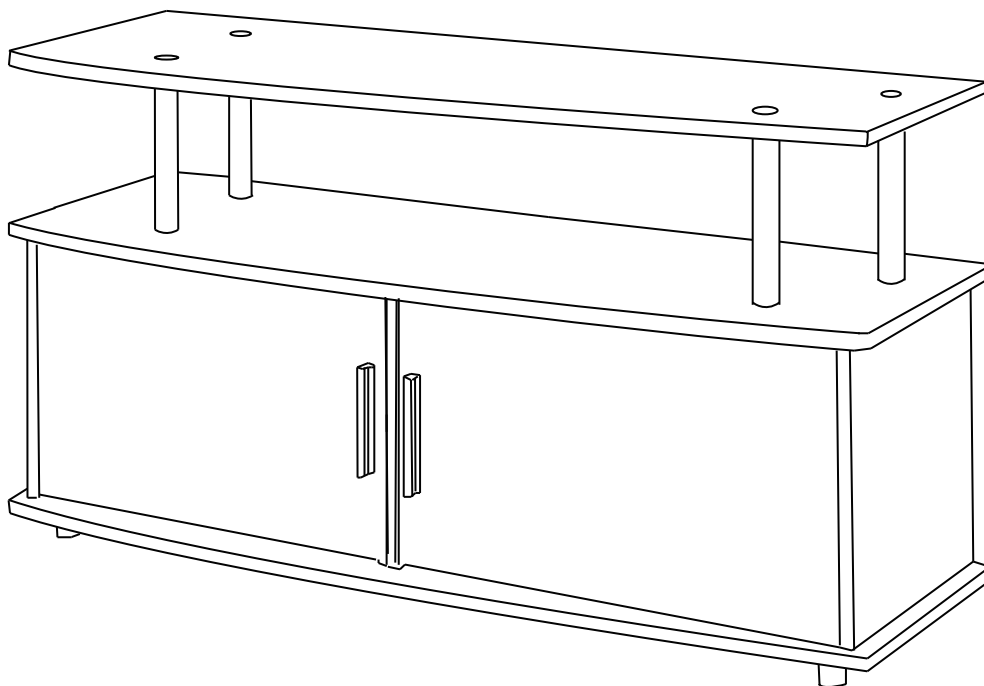


# Aenwood TV Stand


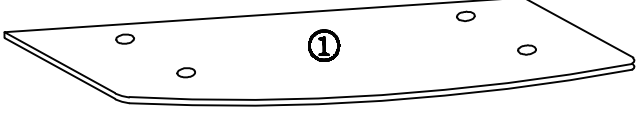



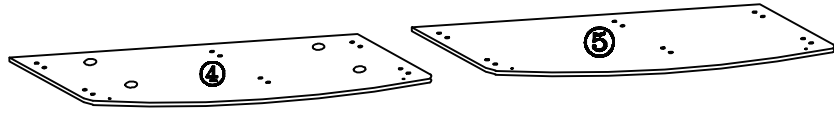

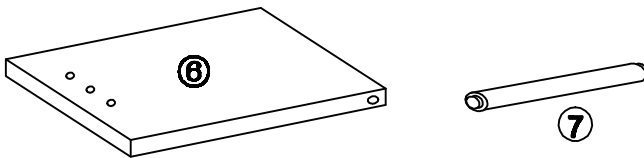
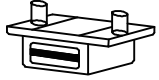
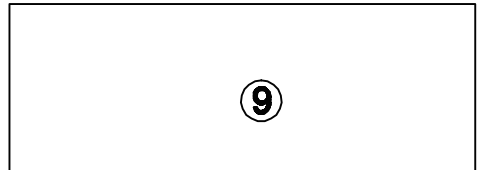
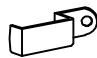





## **ASSEMBLY INSTRUCTIONS**

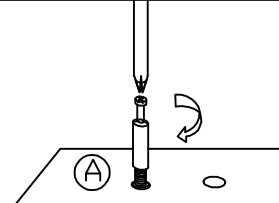
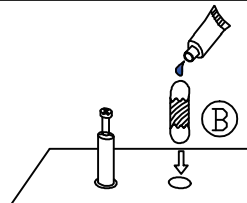
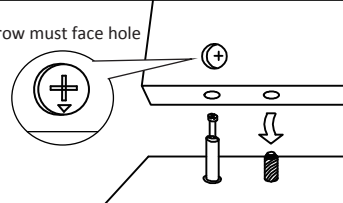
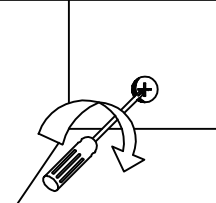
---

We have designed our furniture with you , the customer in mind . Our clear , easy to follow , step by step instructions will guide you through the project from start to finish . Feel confident that this will be a fun and rewarding project . The final product will be a quality piece of furniture that will go together smoothly and give years of enjoyment .

---

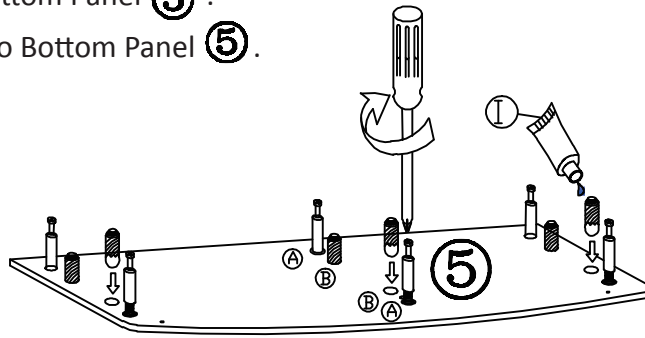
Hardware List	Panel List
<p>(A) </p>	
<p><b>Cam Bolt (12pcs)</b></p>	<p><b>Top Panel (1pc)</b></p>
<p>(B) </p>	
<p><b>Wood dowel (12pcs)</b></p>	<p><b>Middle Divider (1pc)      Side Panel (2pcs)</b></p>
<p>(C) </p>	<p><b>Door Inserts (4pcs)</b></p>
<p><b>Handle (2pcs)</b></p>	
<p>(D) </p>	<p><b>Middle Panel (1pc)      Bottom Panel (1pc)</b></p>
<p><b>Door Inserts (4pcs)</b></p>	
<p>(E) </p>	<p><b>Doors (2pcs)      Metal Tubes (4pcs)      End Caps (8pcs)</b></p>
<p><b>Magnets (2pcs)</b></p>	
<p>(F) </p>	<p><b>Back Panel (1pc)</b></p>
<p><b>Metal Brackets (2pcs)</b></p>	<p>(G) </p>
<p>(H) </p>	<p><b>Handle Screws (6pcs)</b></p>
<p><b>Handle Screws (6pcs)</b></p>	<p>(I) </p>
<p><b>Nails (15pcs)</b></p>	<p><b>Glue (1pc)</b></p>

### Assembling the unit with camlocks and wood dowels.

			
<p>Gently screw cam bolt into the threaded anchor.</p>	<p>Lightly glue one end of the wood dowel and tap halfway into hole.</p>	<p>Lightly glue wood dowel and connect to second panel by inserting dowels into holes.</p>	<p>Screw the camlock firmly into locked position.</p>

## Step 1

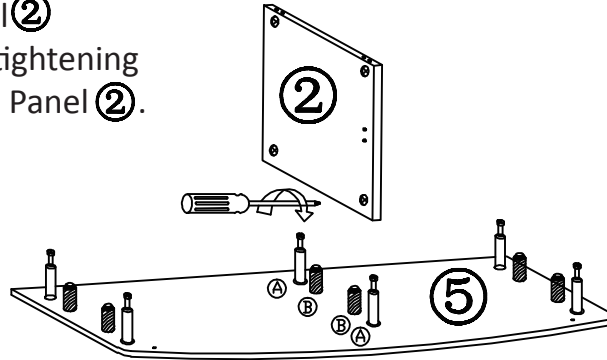
1. Screw Cambolts (A) into Bottom Panel ⑤ .
2. Insert Wood Dowels (B) into Bottom Panel ⑤ .



\* Refer to page 2 for dowel assembly

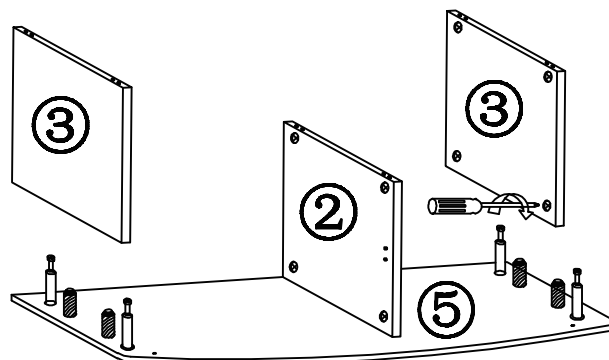
## Step 2

1. Connect Middle Divider Panel ② to Bottom Panel ⑤ by gently tightening camlocks already inserted into Panel ②.



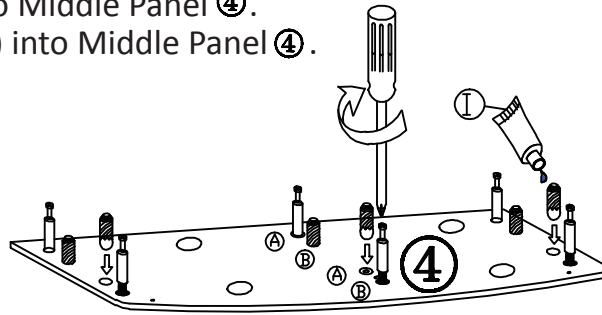
## Step 3

1. Connect side panels ③ to the unit by gently tightening camlocks already inserted into side panels ③



## Step 4

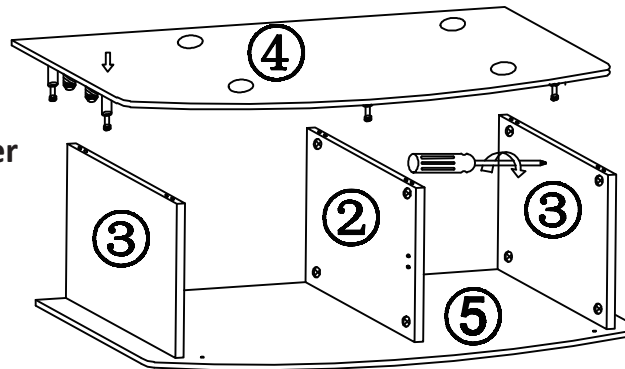
1. Screw Cambolts (A) into Middle Panel ④.
2. Insert Wood Dowels (B) into Middle Panel ④.



\* Refer to page 2 for dowel assembly

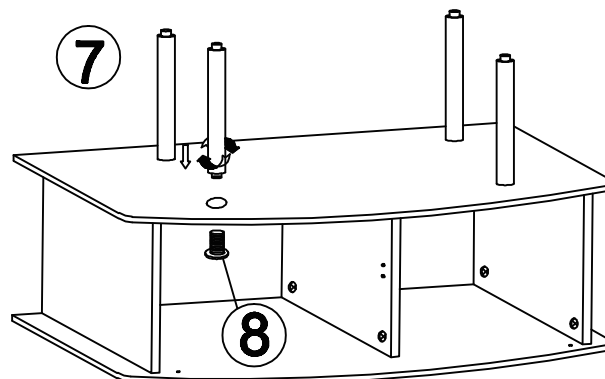
## Step 5

1. Connect the middle panel ④ to the unit by gently tightening camlocks in side Panels ③ and Middle Divider panel ②.



## Step 6

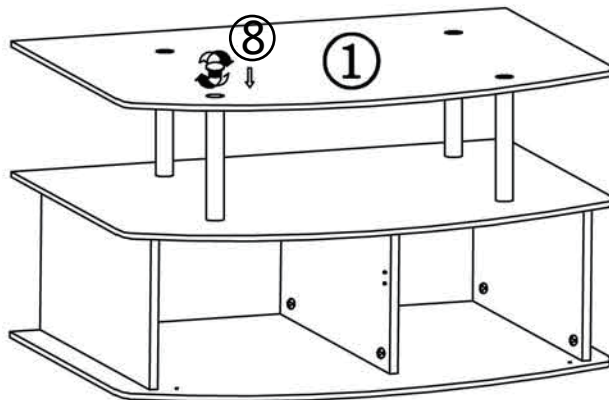
1. Attach end caps ⑧ to the metal tubes ⑦ by turning in a clockwise direction.



## Step 7

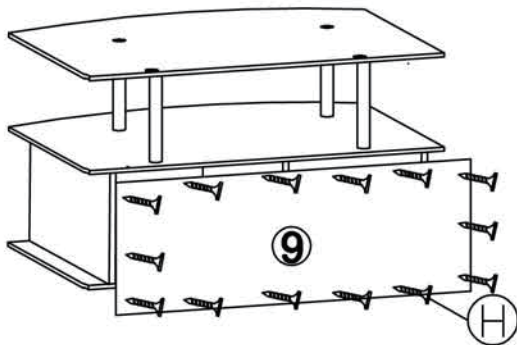
### step7

1. Place top panel ① onto poles.
2. Attach end caps ⑧ to unit by turning in a clockwise direction.



## Step 8

Turn unit around, and connect the back panel ⑨ to the unit using the nails (H).

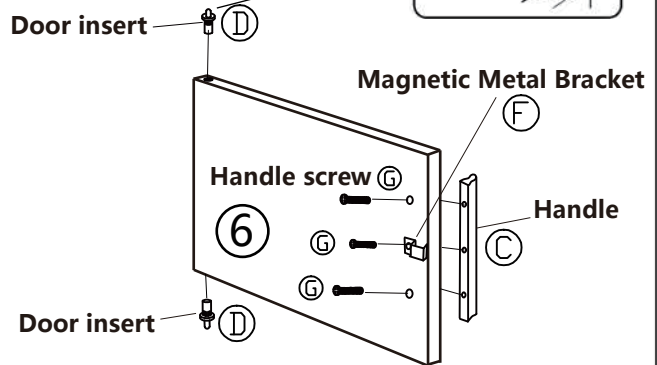


## Step 9

Door ⑥ assembly.

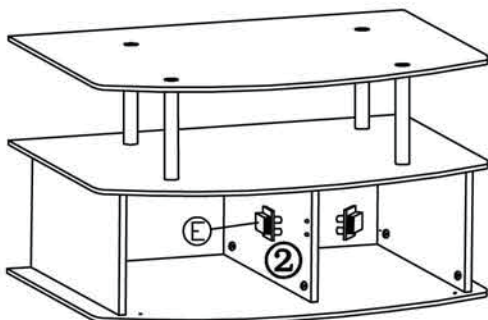
TO ATTACH DOORS

Push door insert down. Align with pre-drilled hole in unit. Release.



## Step 10

Attach magnets (E) to the middle divider by inserting into pre-drilled holes.



## Step 11

Attach doors ⑥ to unit.

