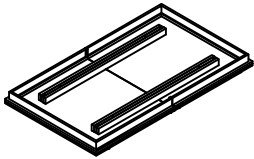
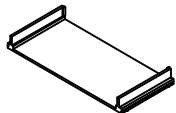

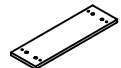
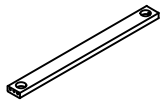
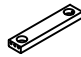
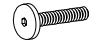







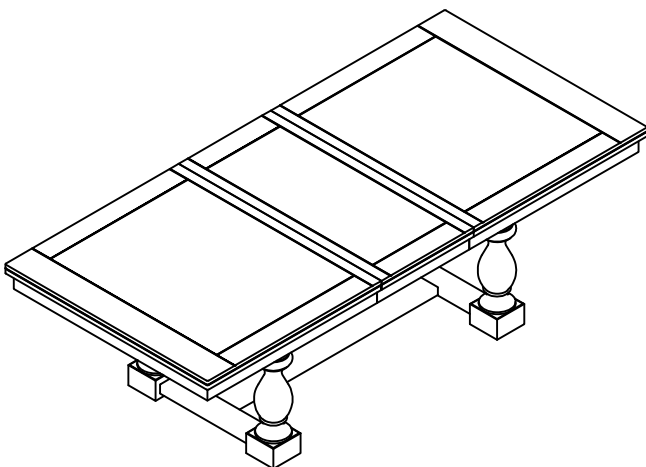


# ASSEMBLY INSTRUCTIONS

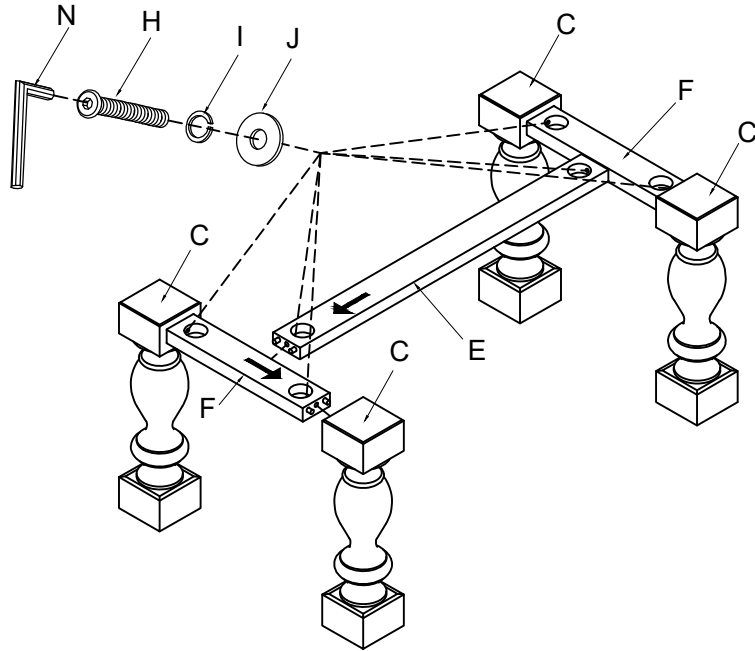
## DINING TABLE WITH LEAF

<b>A</b> Table Top	<b>B</b> Table Leaf	<b>C</b> Post	<b>D</b> Mounting Plate
			
1 pc <b>E</b> Long Stretcher	1 pc <b>F</b> Short Stretcher	4 pcs <b>G</b> Bolt 5/16" x 1-1/2"	2 pcs <b>H</b> Bolt 5/16" x 2"
			
1 pc <b>I</b> Lock Washer 5/16"	2 pcs <b>J</b> Flat Washer 5/16"	8 pcs <b>K</b> Bolt 1/4" x 2"	6 pcs <b>L</b> Lock Washer 1/4"
			
14 pcs <b>M</b> Flat Washer 1/4"	14 pcs <b>N</b> Allen Wrench M4 x 7/8" x 2-1/4"	8 pcs	8 pcs
			
8 pcs	1 pc		

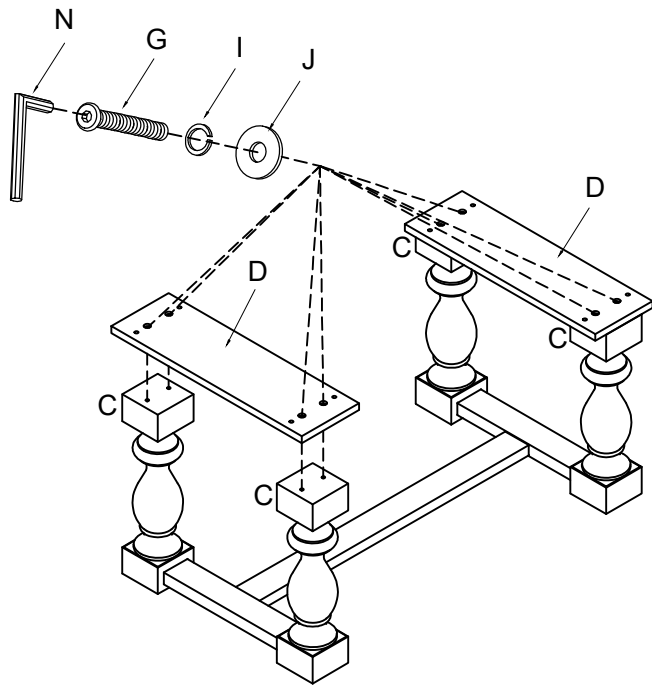


This page lists all the contents included in the box. Please take the time to identify the hardware as well as the individual components to this product. As you unpack and prepare for assembly, place the contents on a carpeted or padded area to protect them from damage.

- 
- 1** Place the Post (C) upside down on a smooth, carpeted surface. Attach the Post (C), Long Stretcher (E) and Short Stretcher (F) together using Bolt (H), Lock Washer (I) and Flat Washer (J) with the Allen Wrench (N).

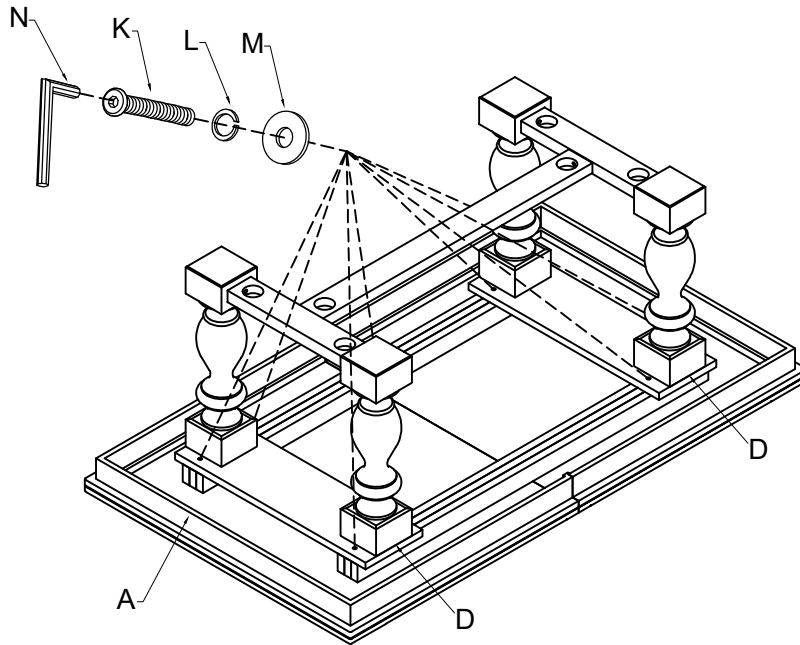


- 
- 2** Stand the assembled posts with stretchers upright. Attach the Mounting Plate (D) to the Post (C) using Bolt (G), Lock Washer (I) and Flat Washer (J) with the Allen Wrench (N).

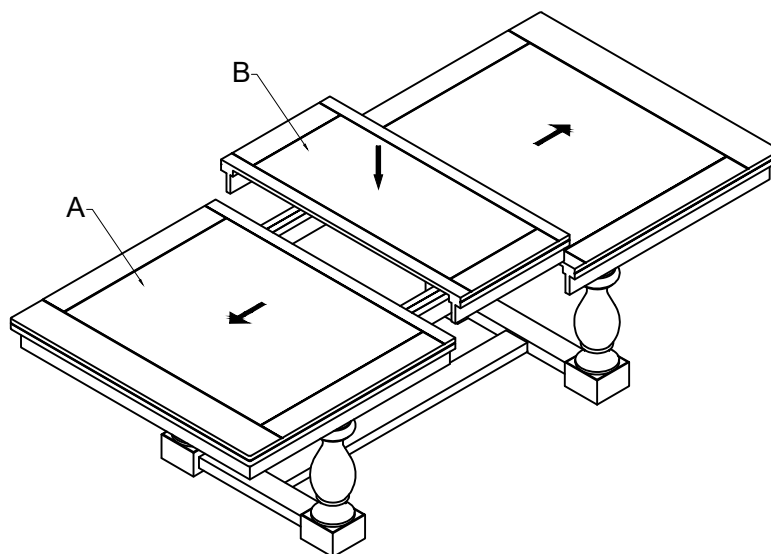


**3**

Place the Table Top (A) upside down on a smooth, carpeted surface. Attach the Mounting Plate (D) to the Table Top (A) using Bolt (K), Lock Washer (L) and Flat Washer (M) with the Allen Wrench (N).

**4**

Stand the assembled table upright. Open the Table Top (A) and place the Table Leaf (B) on the slides.



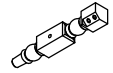
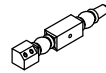
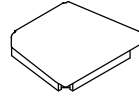
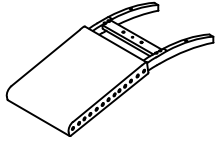
#### Cleaning & Care

Treat surfaces with care. Surfaces are resistant to scratches but are not scratch resistant. Clean surfaces with a dry or damp soft cloth. Do not use abrasive cleaners. Hardware may loosen over time. Periodically check that all connections are tight.

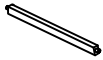
# ASSEMBLY INSTRUCTIONS

## DINING CHAIR

**A** Chair Back      **B** Seat      **C** Left Front Leg      **D** Right Front Leg



1 pc      1 pc      1 pc      1 pc  
**E** Left Stretcher      **F** Right Stretcher      **G** Bolt 1/4" x 3"      **H** Bolt 1/4" x 2"



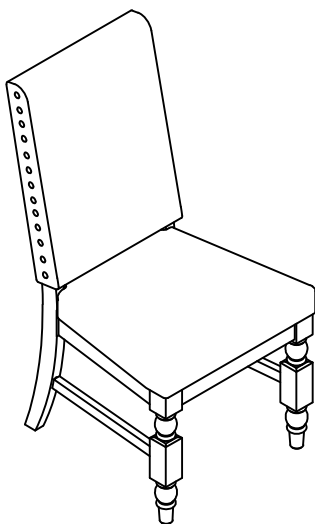
1 pc      1 pc      4 pcs      4 pcs  
**I** Bolt 1/4" x 1-1/2"      **J** Lock Washer 1/4"      **K** Flat Washer 1/4"      **L** Screw #8 x 1-1/2"



1 pc      9 pcs      9 pcs      4 pcs  
**M** Allen Wrench M4 x 7/8" x 2-1/4"

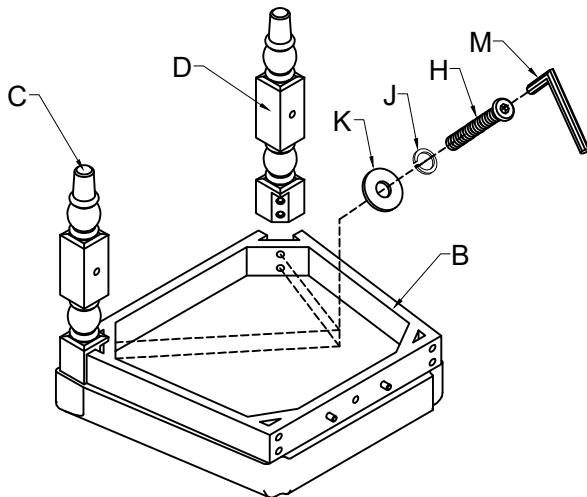


1 pc



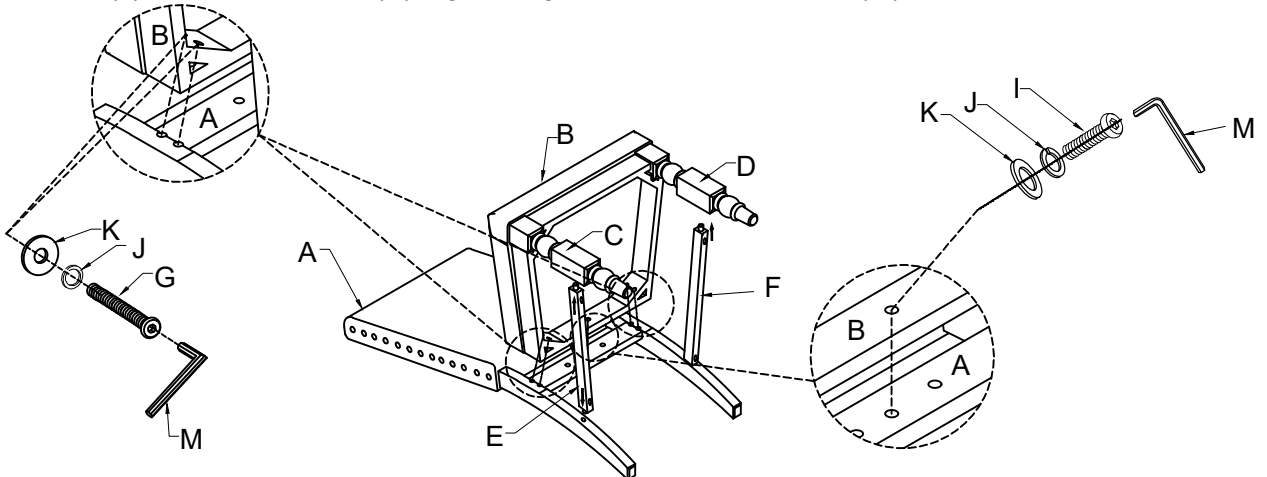
This page lists all the contents included in the box. Please take the time to identify the hardware as well as the individual components to this product. As you unpack and prepare for assembly, place the contents on a carpeted or padded area to protect them from damage.

- 1** Place the Seat (B) upside down on a smooth, carpeted surface. Attach the Left & Right Front Leg (C & D) on the corners of the Seat (B) using Bolt (H), Lock Washer (J) and Flat Washer (K) with the Allen Wrench (M).

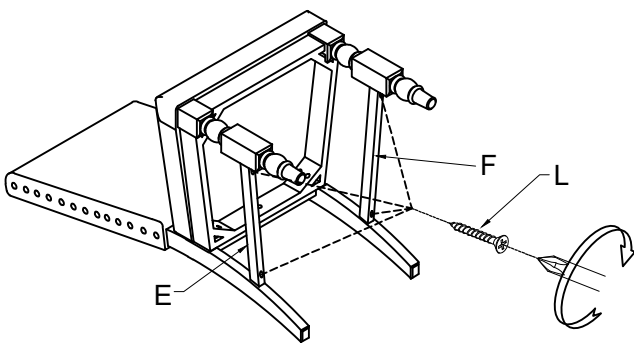


Take the Allen Wrench, and turn the bolts until the legs are secured. **DO NOT TIGHTEN COMPLETELY.** Stop when you feel you are adding force to tighten the bolt.

- 2** Place the Left & Right Stretcher (E & F) between the back legs and front legs. Attach the Seat (B) to the Chair Back (A) using Bolt (G) into the corner holes and Bolt (I) into the center holes, using Lock Washer (J) and Flat Washer (K), tightening with the Allen Wrench (M).



- 3** Secure the Left & Right Stretcher (E & F) to the legs using Screw (L) with a screwdriver (not provided).



Stand the chair on an even surface and check for balance. If the chair wobbles slightly, apply downward pressure on the uneven leg and tighten the bolts to correct the imbalance. Once the chair is balanced, apply downward pressure evenly in the center of the chair and tighten all bolts, being careful not to over-tighten beyond the hole depth.

**Helpful Tip:**  
While tightening the bolts from underneath, have someone sit in the chair.

### Cleaning & Care

Treat surfaces with care. Surfaces are resistant to scratches but are not scratch resistant. Clean surfaces with a dry or damp soft cloth. Do not use abrasive cleaners. Hardware may loosen over time. Periodically check that all connections are tight.