

# Beach Bookcase

assembly guide



Valued Customer,

We design and carefully manufacture our products for our customers, We wish that our customers to have fun while they are doing their new furniture

The product you just purchased was subjected to all sorts of tests and controls before sending out to you.

Hope you enjoy your new furniture!!!



Before starting, please check all components and accessories according to the provided list. If you purchased more than one product, to prevent confusion, be sure that you completed the first product, then start the next one. Please make sure that you select correct numbered part and use specific connector to assemble. We do not recommend any modification or rotation in assembly. Please follow the manual carefully.



Furniture parts are going to several manufacturing procedures. During this process, parts can have little dust or marks. Please clean the parts with dump cloth before assembly to get the best result. Usual cleaning would be suffice.



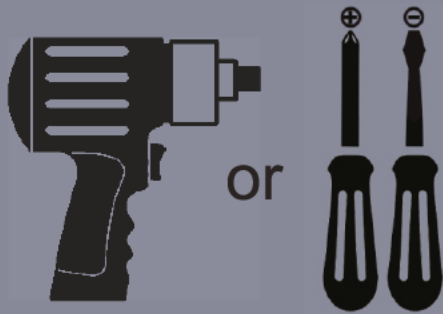
Although all products are carefully manufactured and packed, sometimes we experience damage during transportation. In such cases, please check the damaged part, note the part number written on the part and do not hesitate to contact us



Do not use your furniture for out of purposes. If you would like to use it out of purpose or would like to do some modification or rotation, please contact us for more details.

Please do not expose your furniture with excessive heat, cold and humidity because product can be affected negatively.

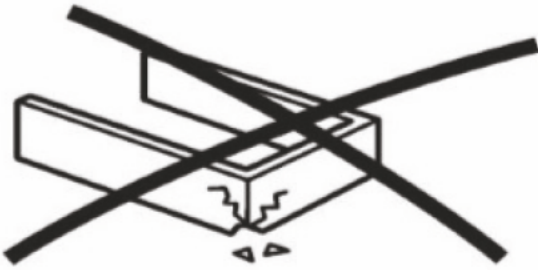
# before you start



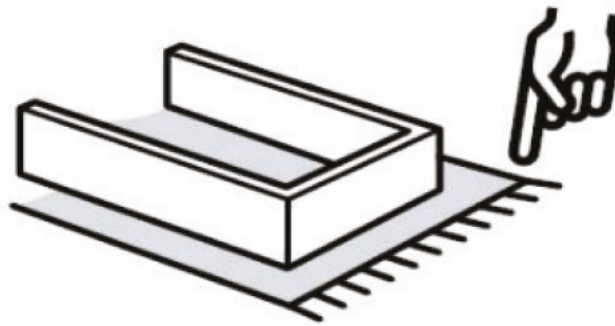
or



Get required installation tools prepared.



Do not install the product on rough surfaces.

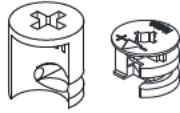


Get help from someone else!



# getting familiar with the main components

\*Minifix is the main connection component used in Decorotika products. Before starting, please check the below figures

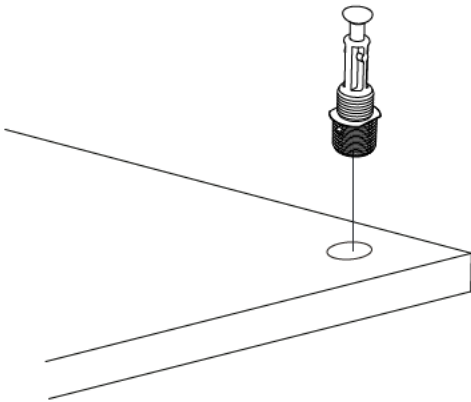


MINIFIX  
HEAD

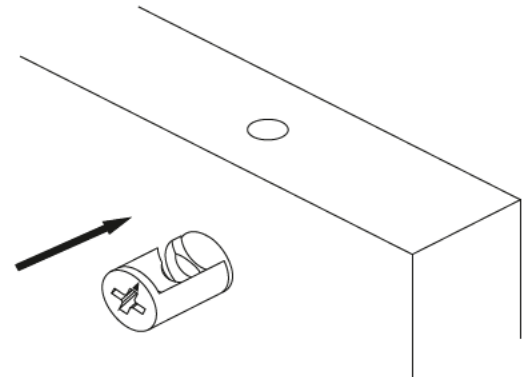


MINIFIX  
SCREW

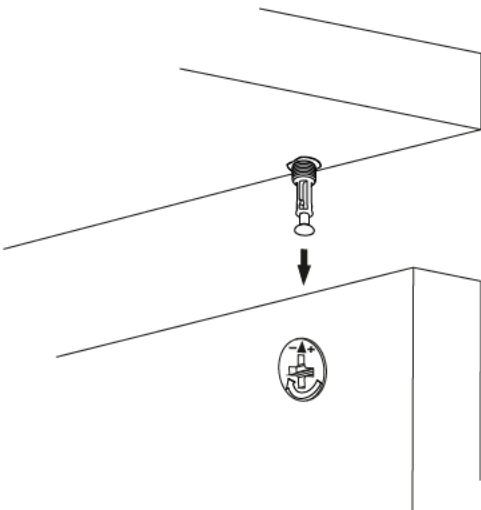
\*Please insert A03 (minifix screw) as shown below.



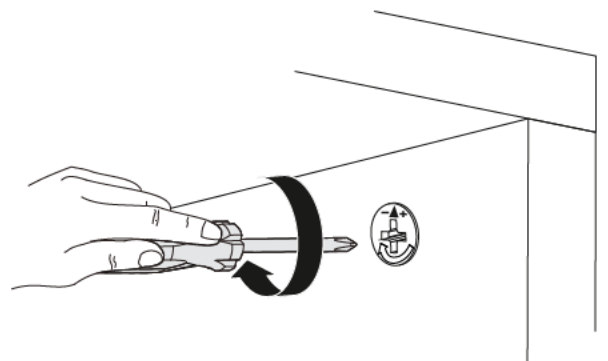
\*Please notice that there is an small arrow on A02 (minifix head). This arrow should show the direction of upper hole.







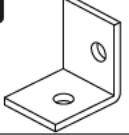



\*After attaching two pieces please turn the A02 (minifix head) clockwise direction just a half tour with the help of a screwdriver.



\*Please do not over screw the piece since it may broke if too much power is imposed. Just make sure that it is screwed to the direction "+" do not go any further.



# ACCESSORY LIST

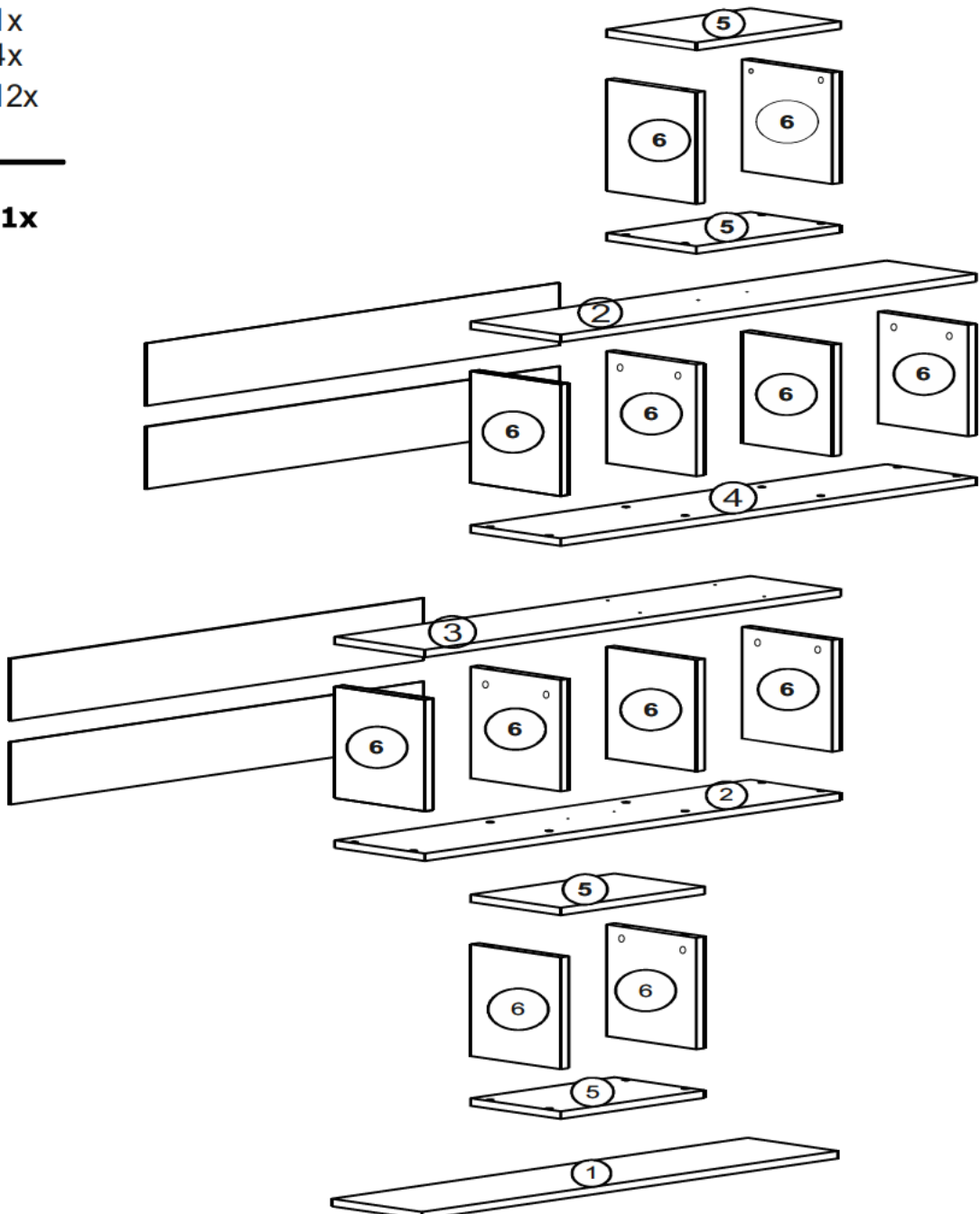
<b>A02</b> Minifix head  <b>48x</b>	<b>A03</b> Minifix screw  <b>48x</b>	<b>A06</b> 18 mm sticker  <b>56x</b>	<b>A17</b> 3,5x35 screw  <b>10x</b>	<b>L01</b> L bracket  <b>2x</b>
<b>A17</b> 5x70 screw  <b>2x</b>	<b>A09</b> 3,5x18 screw  <b>2x</b>	<b>A16</b> rawlplug $\varnothing 8$  <b>2x</b>		

## GENERAL VIEW

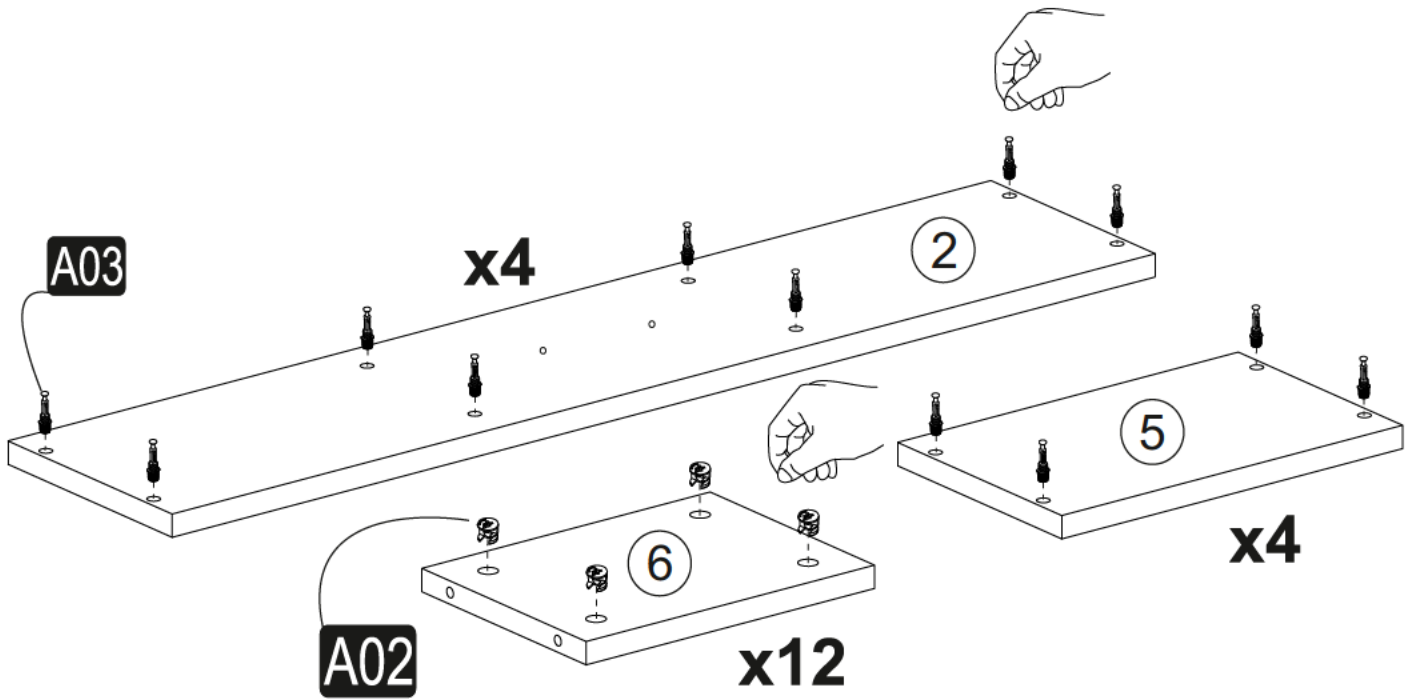
Part#1	1x
Part#2	2x
Part#3	1x
Part#4	1x
Part#5	4x
Part#6	12x

---

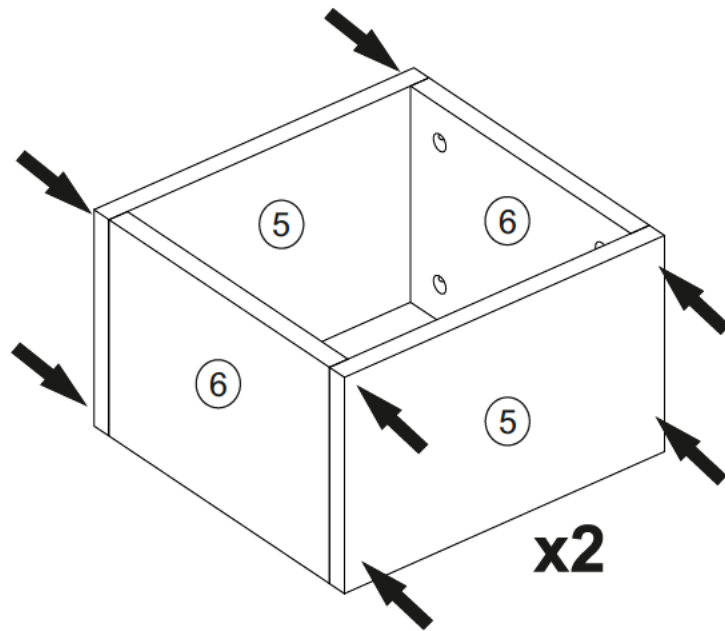
**Total**      **21x**



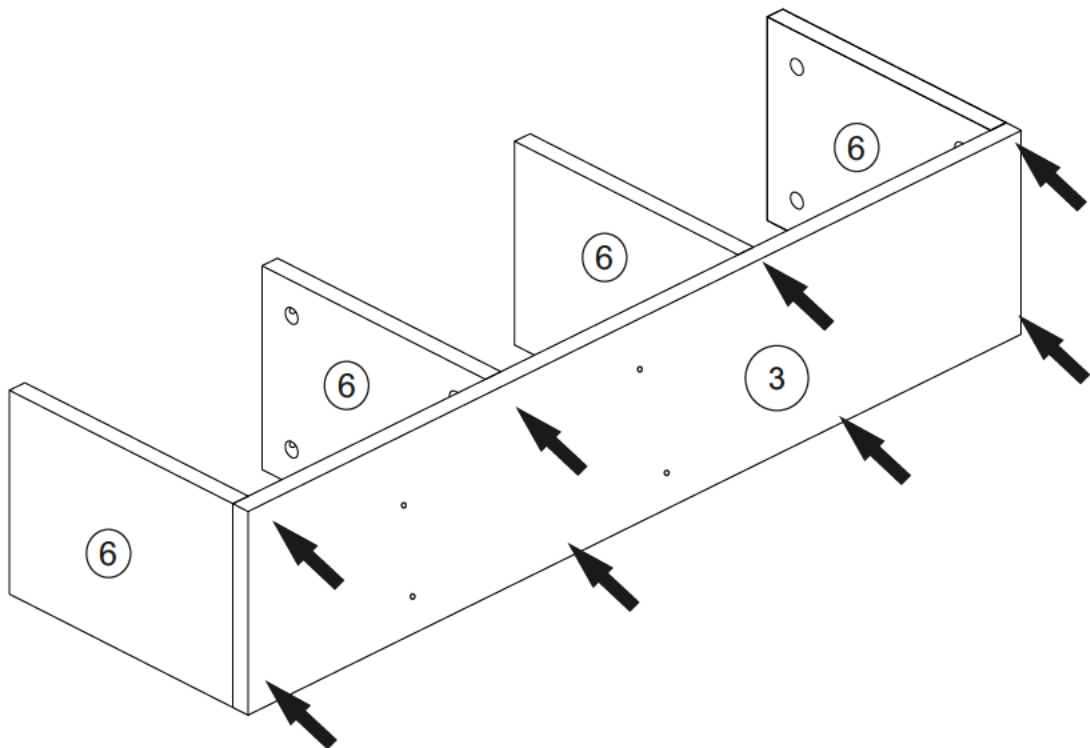
# 1



# 2

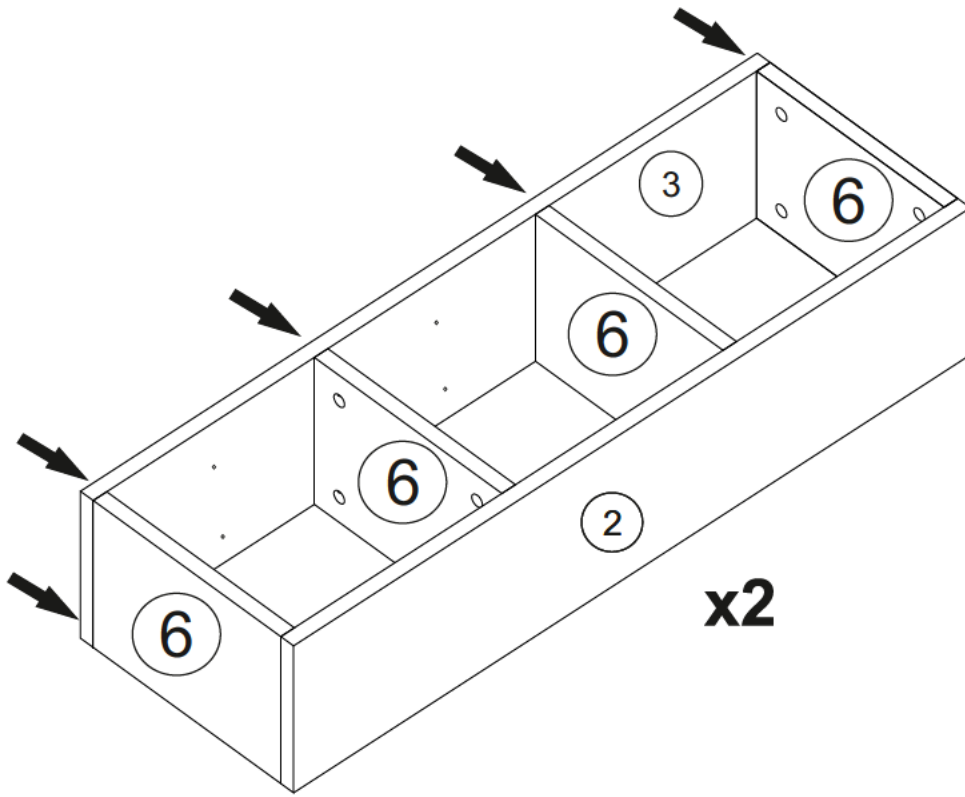


# 3



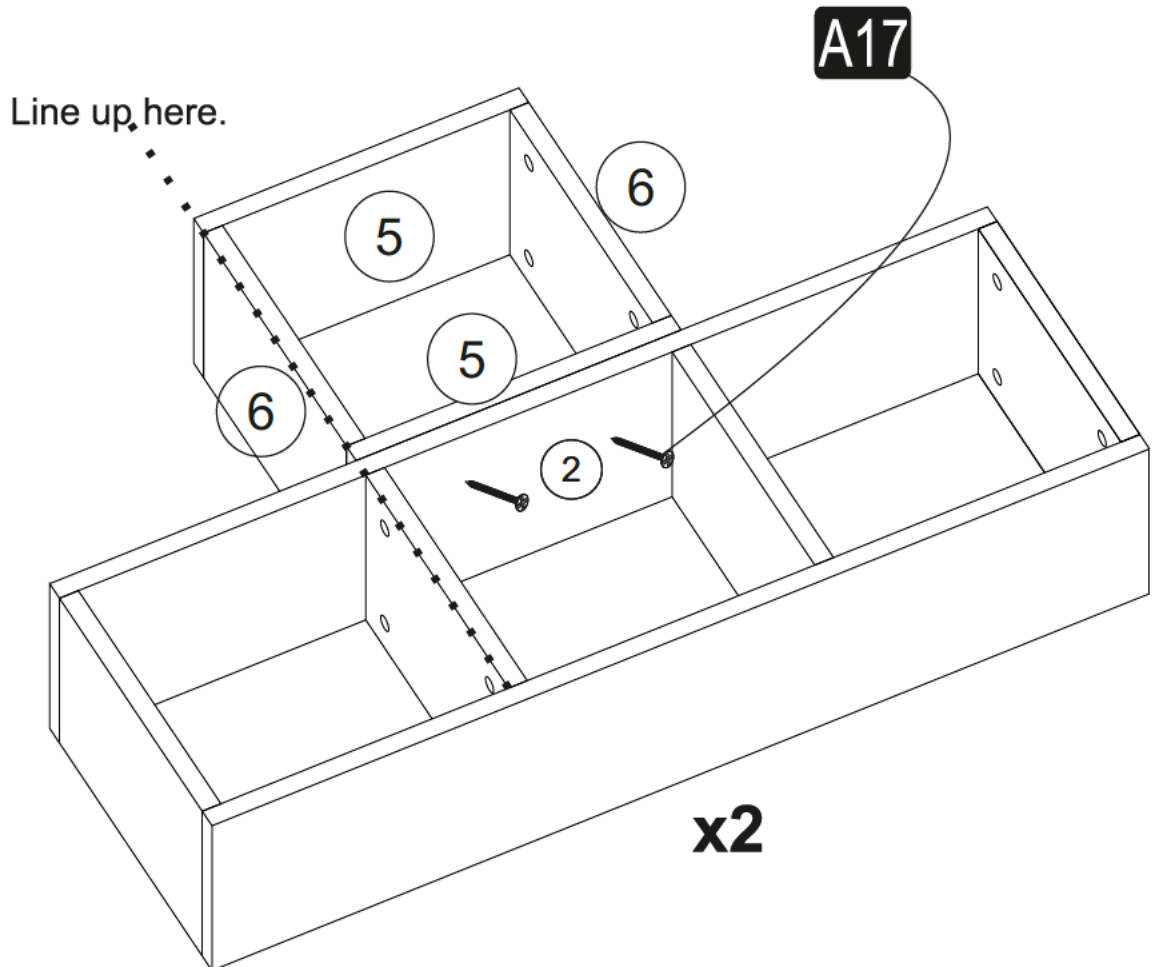
6

# 4



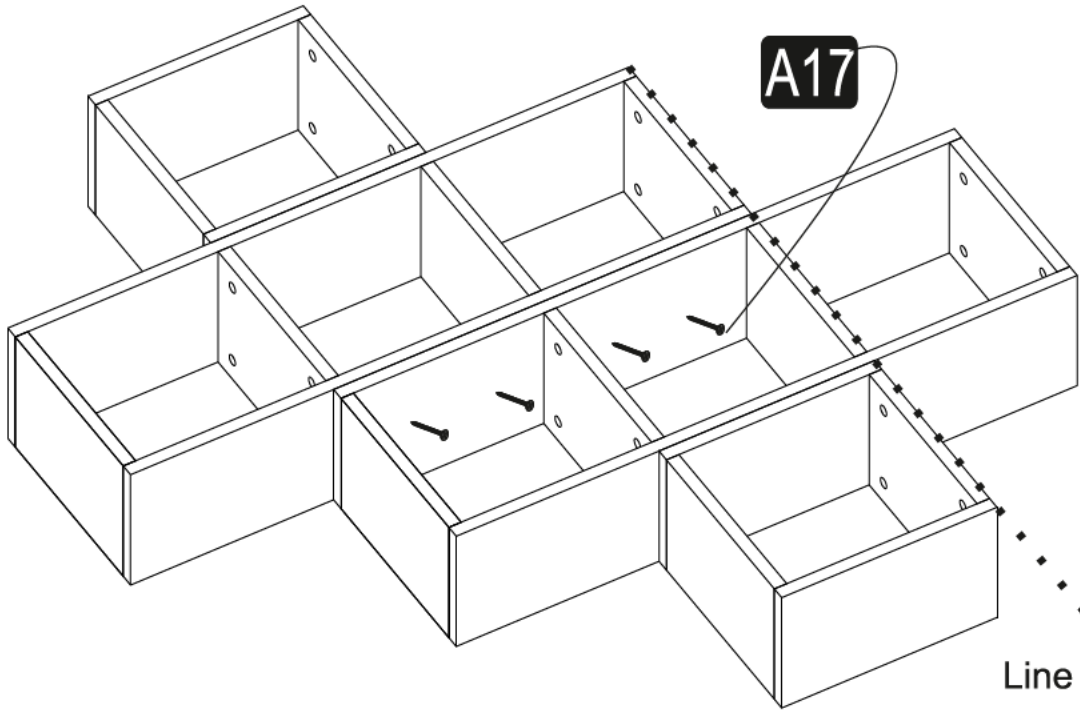
# 5

 There is no pre-drilled holes on the part #1.

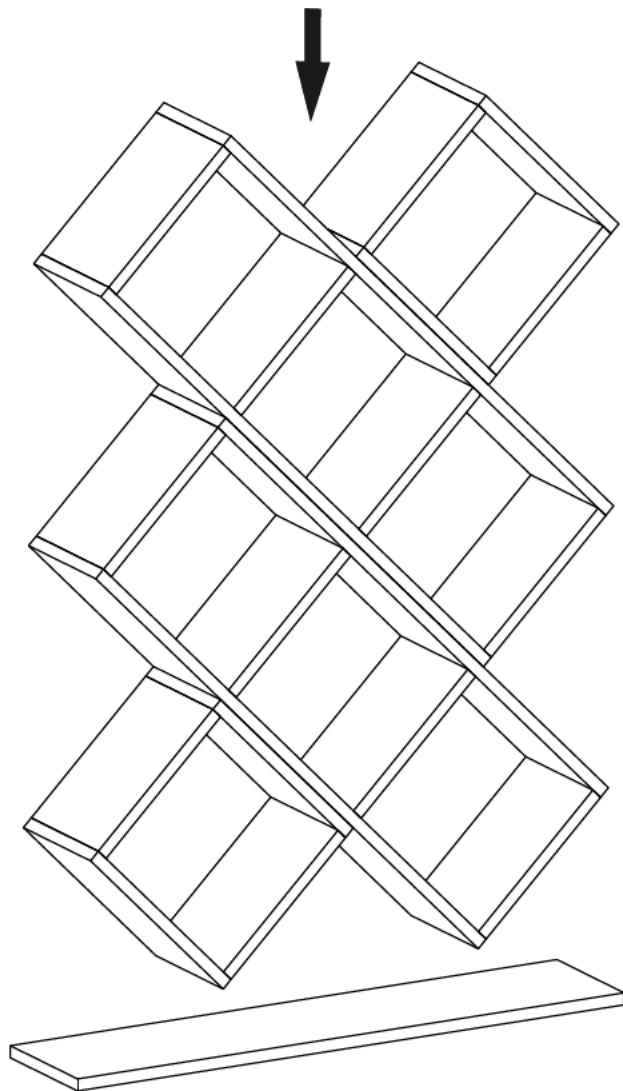


# 7

6



7



8