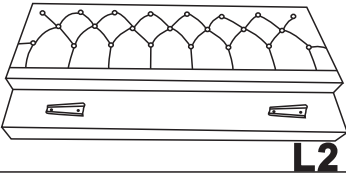
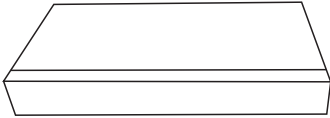
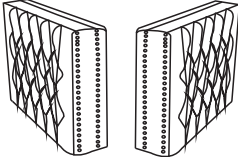
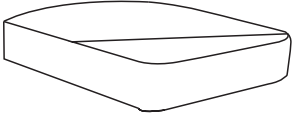
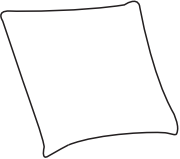
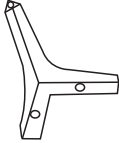


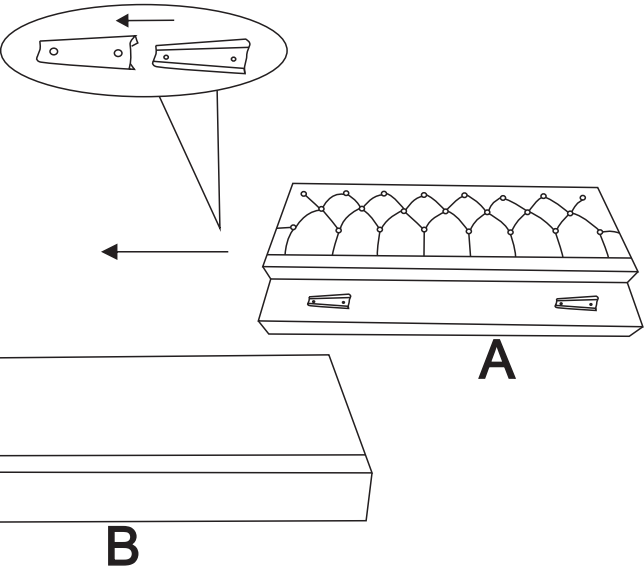
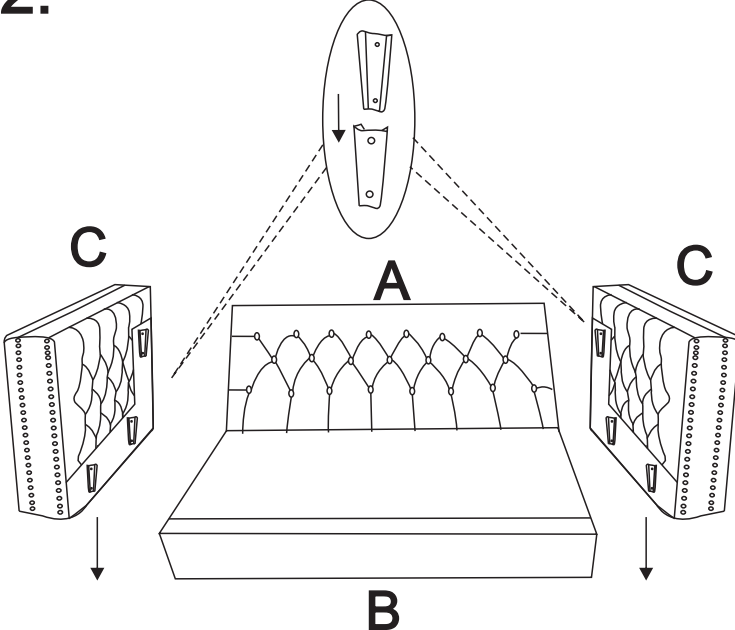
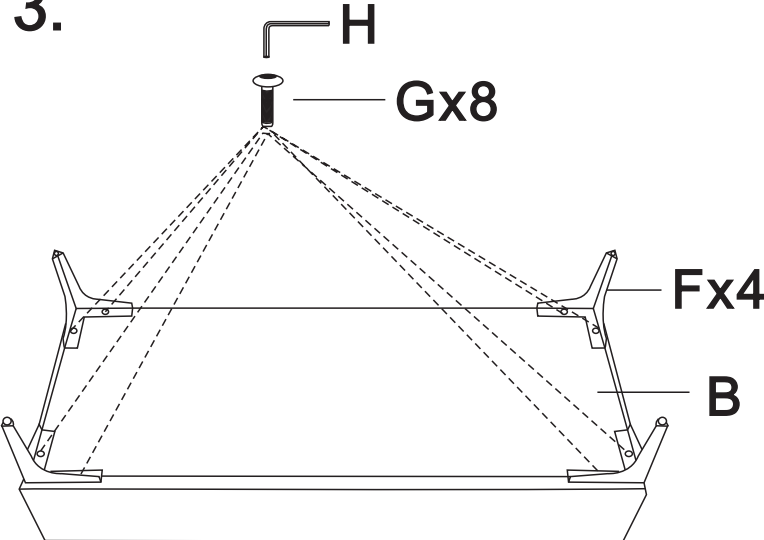


Assembly instruction (2 cartons L1,L2)

Ax1  L2	Bx1  L2	Cx1 (LxR)  L1	Dx2 
Ex2  L2	Fx4  L2	Gx8  L2	Hx1  L2

Note: Put all the screws into the holes site, And then tighten them. Don't tighten one by one

1. 	2. 
3. 	4. 