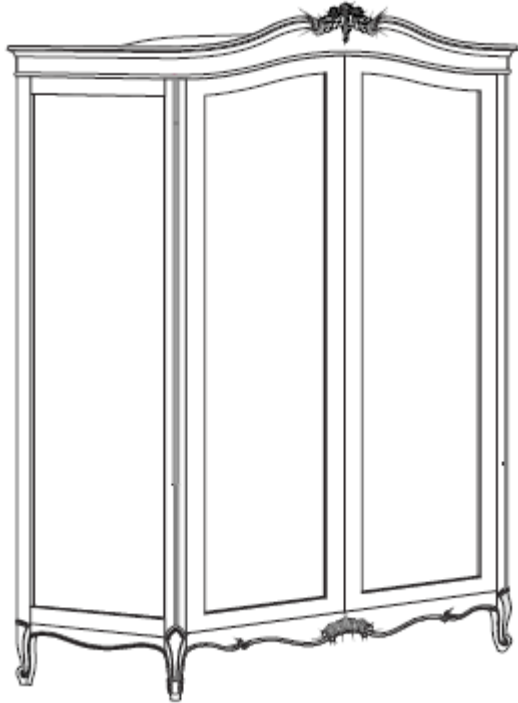


CHIC WARDROBE

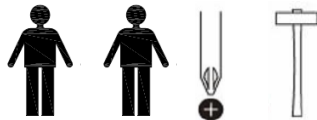
Thank you for purchasing this 2 DOOR WARDROBE. Please read the instructions carefully before use to ensure safe and satisfactory operation of this product



Pre-assembly preparation

Please ensure instructions are read in full before attempting to assemble this product

Necessary Tools



THE USE OF POWER TOOLS MAY DAMAGE THE PRODUCT AND IS NOT RECOMMENDED.

Please check the pack contents before attempting to assemble this product. A full checklist of components is given in this leaflet. If any components are missing, please contact the store from where you bought this product.





This product is **HEAVY**, it should be assembled as near as possible to the point of use. **TAKE CARE WHEN LIFTING THE PRODUCT TO AVOID PERSONAL INJURY AND DAMAGING THE PRODUCT.**

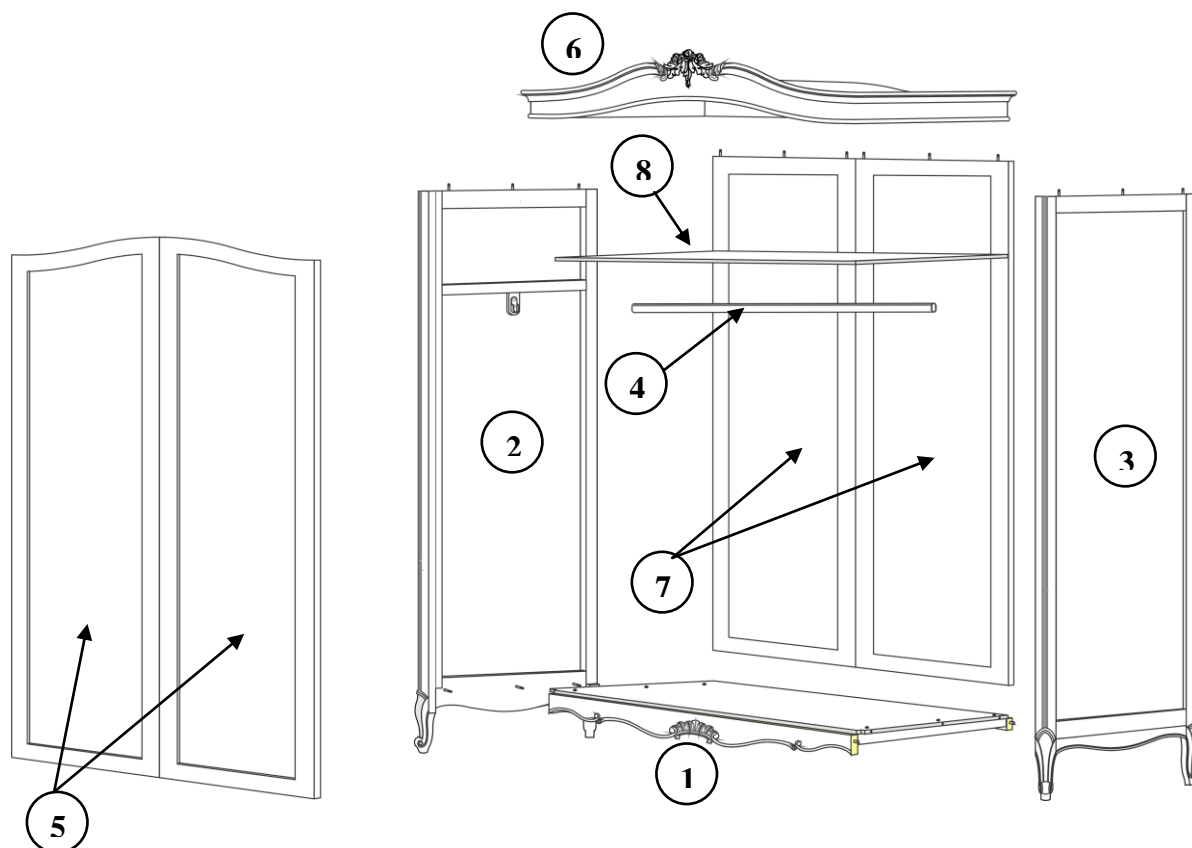
This product takes approximately **45 MINUTES** to assemble with **2 PEOPLE**.

The fittings pack contains **SMALL ITEMS** which should be **KEPT AWAY FROM YOUNG CHILDREN**.

Read this leaflet in full before commencing assembly.

Fittings and parts checklist

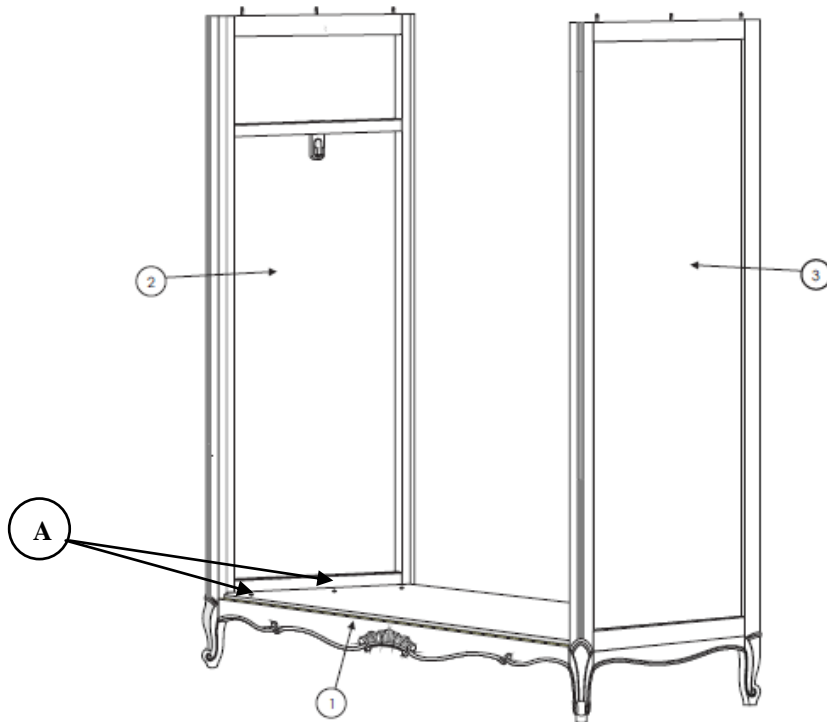
A	Wood Screw (M4x30)	x14		B	Wood Screw (M3x20)	x12	
C	Cam	x16		D	Connection Bolt	x16	



Item	Description	Qty	Item	Description	Qty
1	BOTTOM PANEL/BASE	1	5	RH DOOR & LH DOOR	2
2	RH SIDE PANEL	1	6	TOP	1
3	LH SIDE PANEL	1	7	BACK PANEL	2
4	HANGING RAIL	1	8	SHELF	1

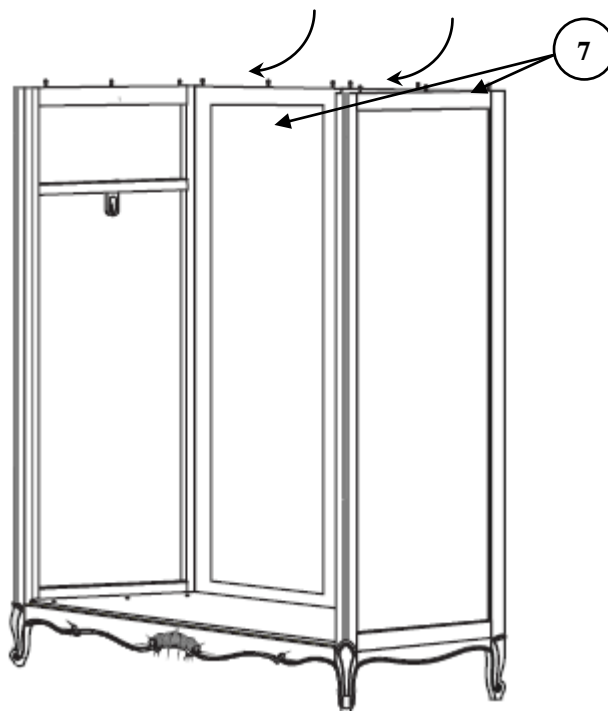
Step by step assembly instructions

Step One



Place the LH side panel (2) onto the bottom panel, ensuring it is properly secured in existing holes in the base, then connect bolt with cam using screw driver (A). Repeat step for RH side panel (3) .

Step Two



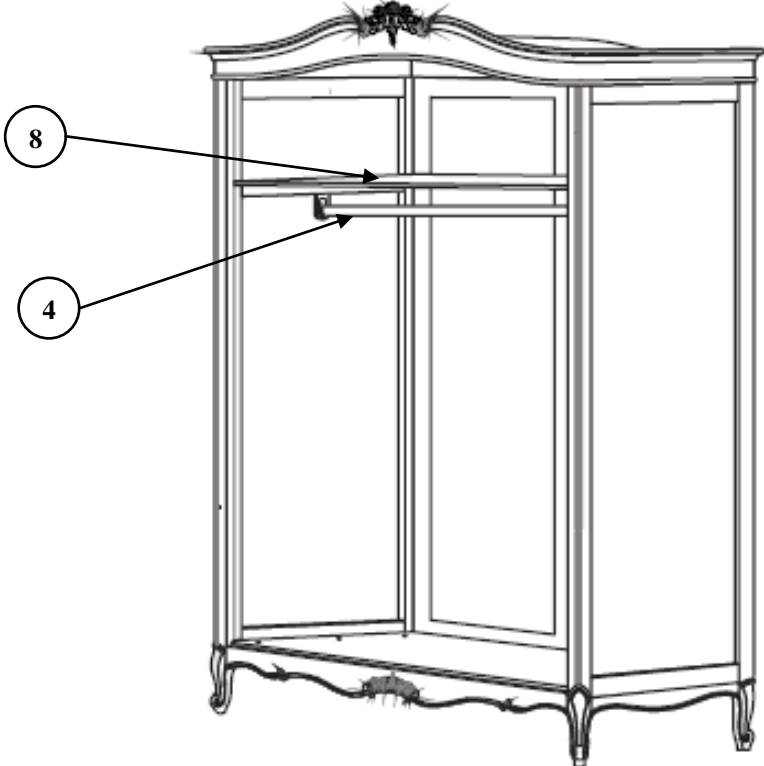
Place the back frame with two back panels (7) and connect to side panels and bottom panel/base with connecting bolt and cam.

Step Three



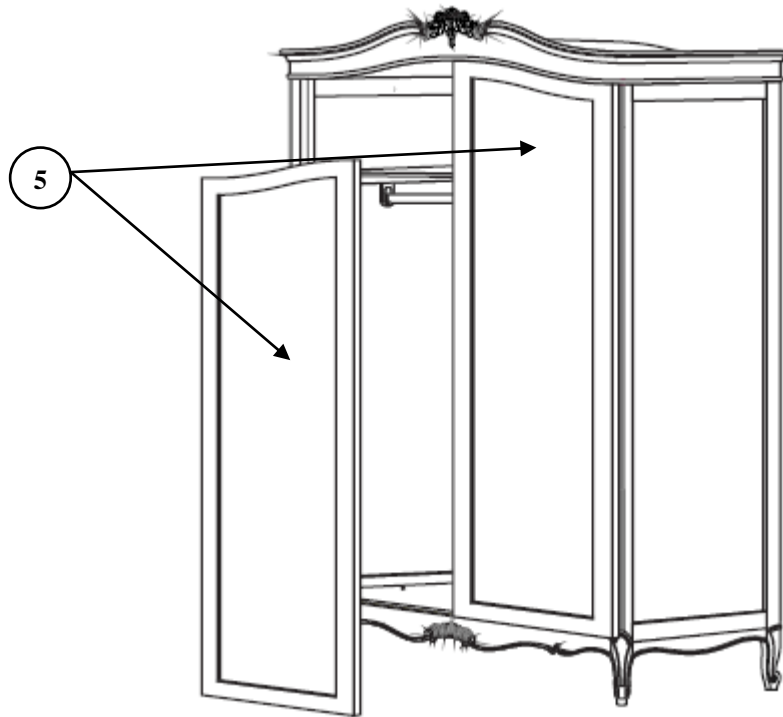
Place the top (6) and connect bolt with cam to side panels (2 & 3).

Step Four



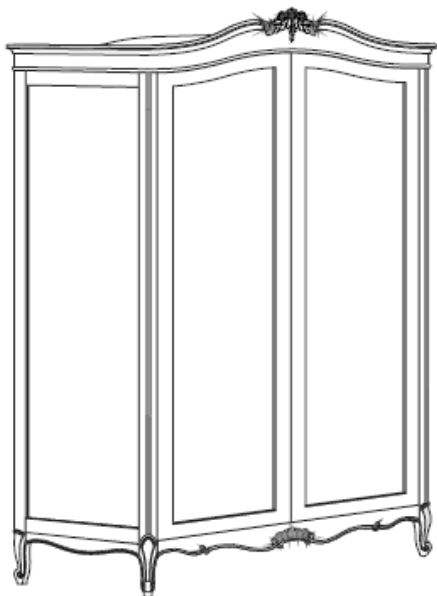
Insert the shelf (8) then insert hanging rails (4) in the support brackets.

Step Five



Place LH dan RH Doors (5) to front frame as shown and attach hinges with screws(C) provided

Finish



Care and Maintenance

How to care for your wood furniture

Furniture with a hard lacquer, wax polish or painted surface should be dusted with a dry cloth.

Waxed furniture will need to be given a coat of beeswax a couple of times a year to help maintain its luster.

Spray polishes are best avoided as they contain silicones which may spoil the furniture's surface by building up over time.

Make sure all surfaces are protected from heat and liquids by mats and coasters. Wipe up spills immediately and ensure that a mat or pad is placed under paper if you are writing.

Extendable dining tables should be left extended for the first few months to avoid an uneven appearance. Likewise, lamps and ornaments should also be moved regularly.

Our furniture will endure most temperatures in the home but it is best to avoid placing furniture next to heat sources such as radiators or fires. Be particularly careful with solid wood as the lack of humidity caused by central heating can cause damage such as warping

Safety Instructions

Never drag furniture when moving it, always lift it.

Periodically check all fixings to ensure none have come loose and re-tighten where necessary.

Please take care when handling or moving the furniture as careless handling may cause damage or injury.

Furniture can be dangerous if incorrectly installed. Assembly should be carried out by a competent person. No liability will be accepted for damage or injury caused by incorrectly installed or assembled furniture.

It is recommended that before moving heavy objects to a new location they are completely dis-assembled to avoid personal injury or damage to the furniture. Please be careful to retain all fittings when doing this.

PLEASE KEEP THESE INSTRUCTIONS FOR FUTURE REFERENCE