

## CARE AND MAINTENANCE

Store outdoor furniture indoors or cover well when not in use.

Remove wooden furniture from standing water. Dust regularly with small brush or vacuum

Spills should be taken care of immediately before they harden or stain with a slightly dampened sponge.

## NOTICE

- \* Please make sure that you have all parts indicated before you begin assembly of this item
- \* This item should be assembled on a soft surface to prevent scratching the finish during assembly
- \* This item may require periodic tightening

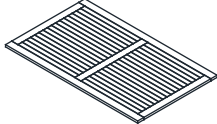
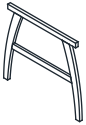

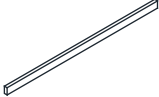



**Weight Capacity : 600 Ibs**

**Warning : Do not stand on chair**

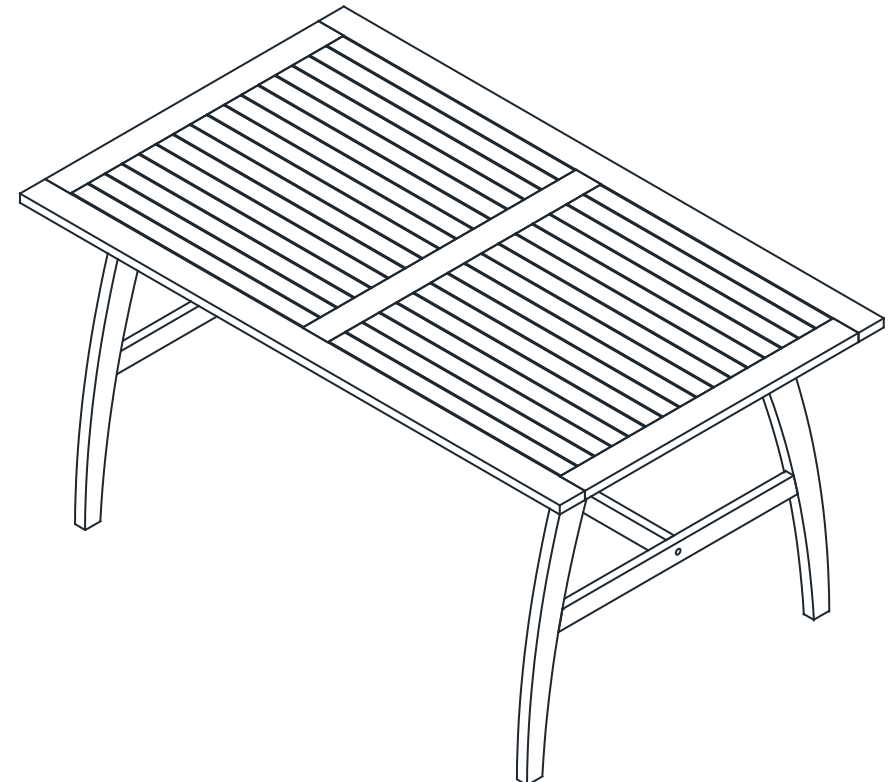
**Warning : Do not over torque bolts / screws**



## Part List and Hardware List

PIECE	DESCRIPTION	PICTURE	QUANTITY
A	Top Table		1X
B	Frame Leg		2X
C	Tie Legs 1		2X
D	Tie Legs 2		1X
E	Screw	 M6x50	4X
F	Screw	 M6x60	14X
G	Allen key	 LG4	1X

Product Dimensions: 35.43" W x 59.05" D x 29.52" H



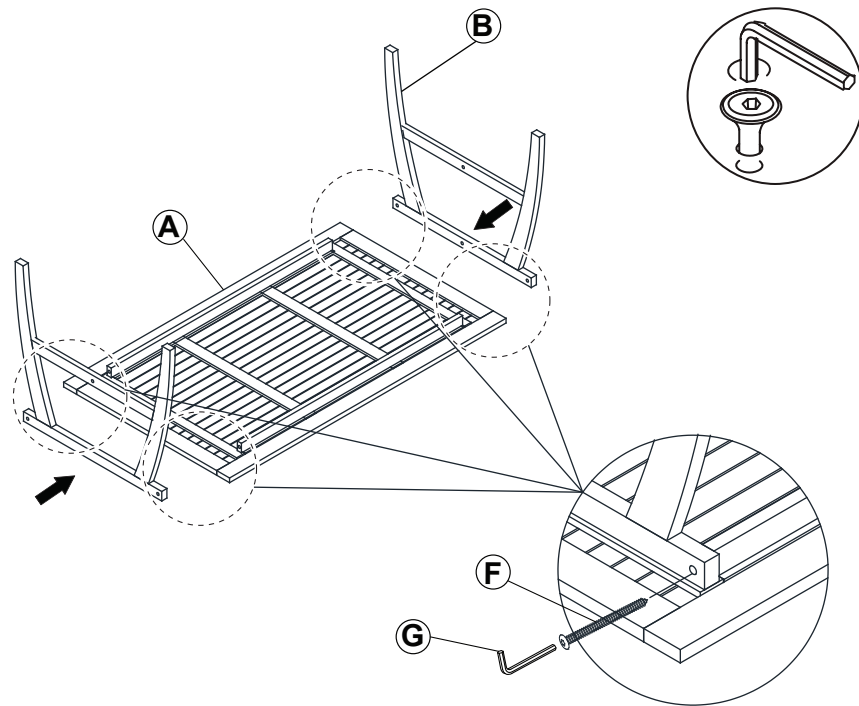
## PREPARATION

Before beginning assembly of product, make sure all parts are present. Compare parts with package contents list and hardware contents list. If any part is missing or damaged, do not attempt to assemble the product.

Estimated Assembly Time: 10 minutes.

Tools Required for Assembly (included): Allen Key

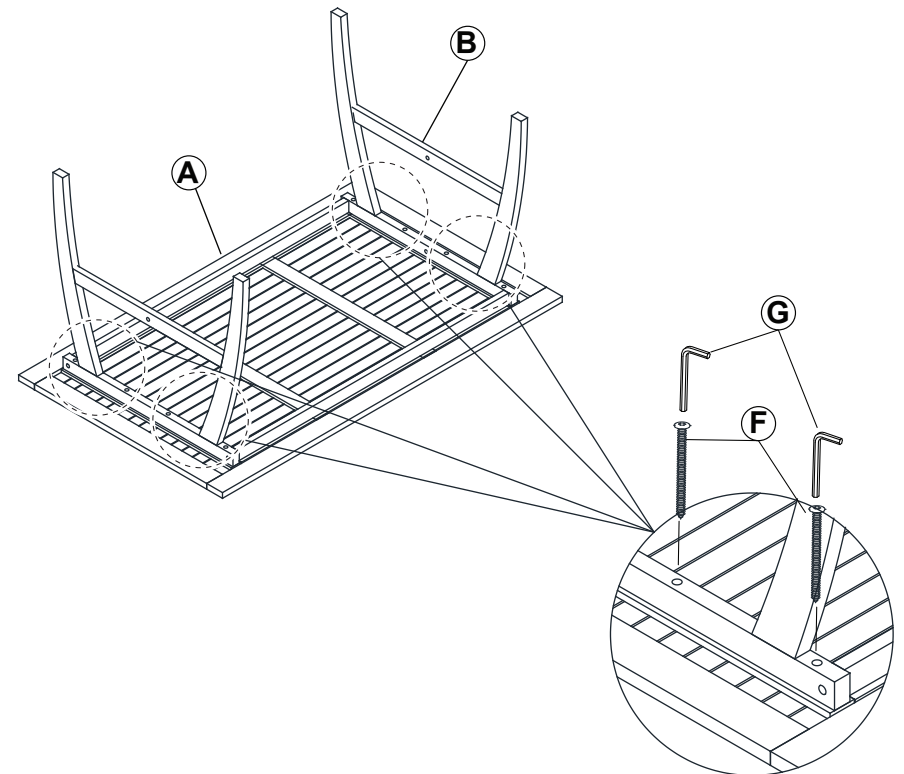
1



### Step 1

Attach Frame Leg (B) to Top table (A) ,use Screw (F) and tighten with allen key (G).

2



### Step 2

Attach Frame Leg (B) to Top table (A) ,use Screw (F) and tighten with allen key (G).

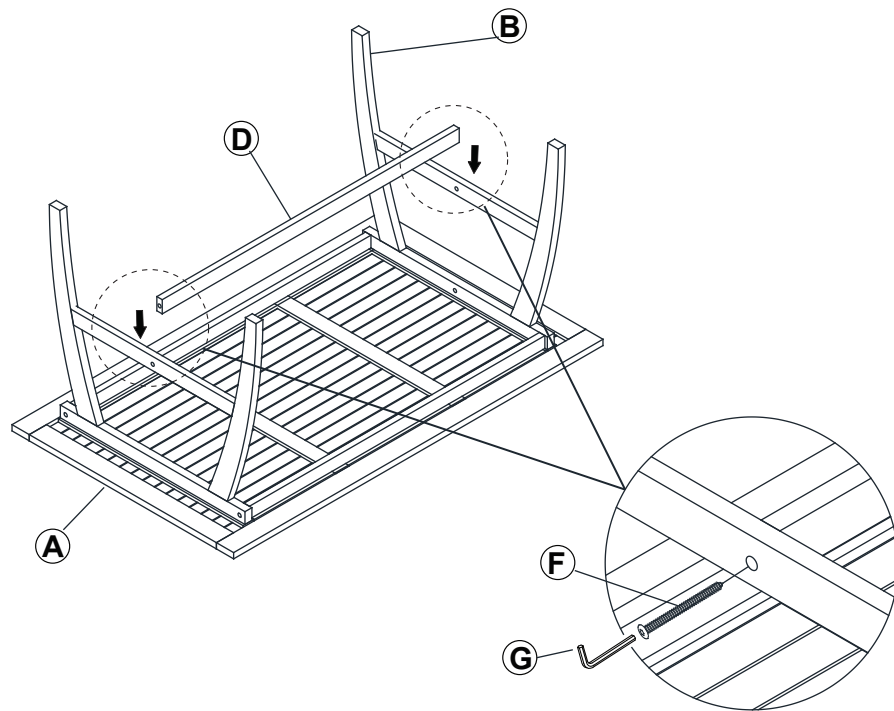
## PREPARATION

Before beginning assembly of product, make sure all parts are present. Compare parts with package contents list and hardware contents list. If any part is missing or damaged, do not attempt to assemble the product.

Estimated Assembly Time: 10 minutes.

Tools Required for Assembly (included): Allen Key

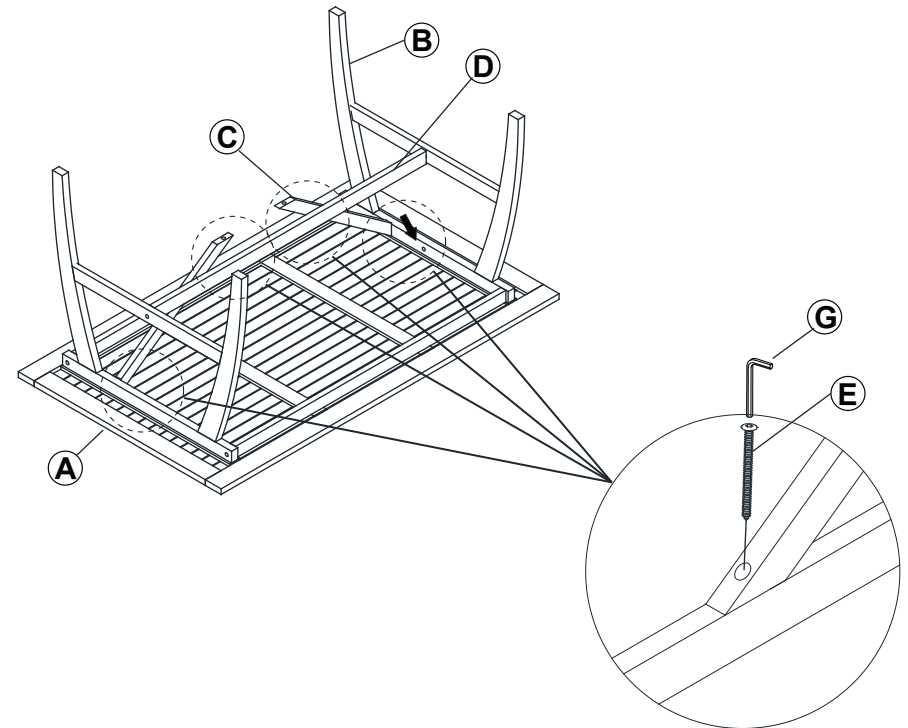
3



### Step 3

Attach Tie Legs 2 (D) to Frame Leg (B), Use Screw (F) and tighten with allen key (G).

4



### Step 4

Attach Tie Legs 1 (C) to Tie Legs 2 (D) and Frame Leg (B), Use Screw (E) and tighten with allen key (G).