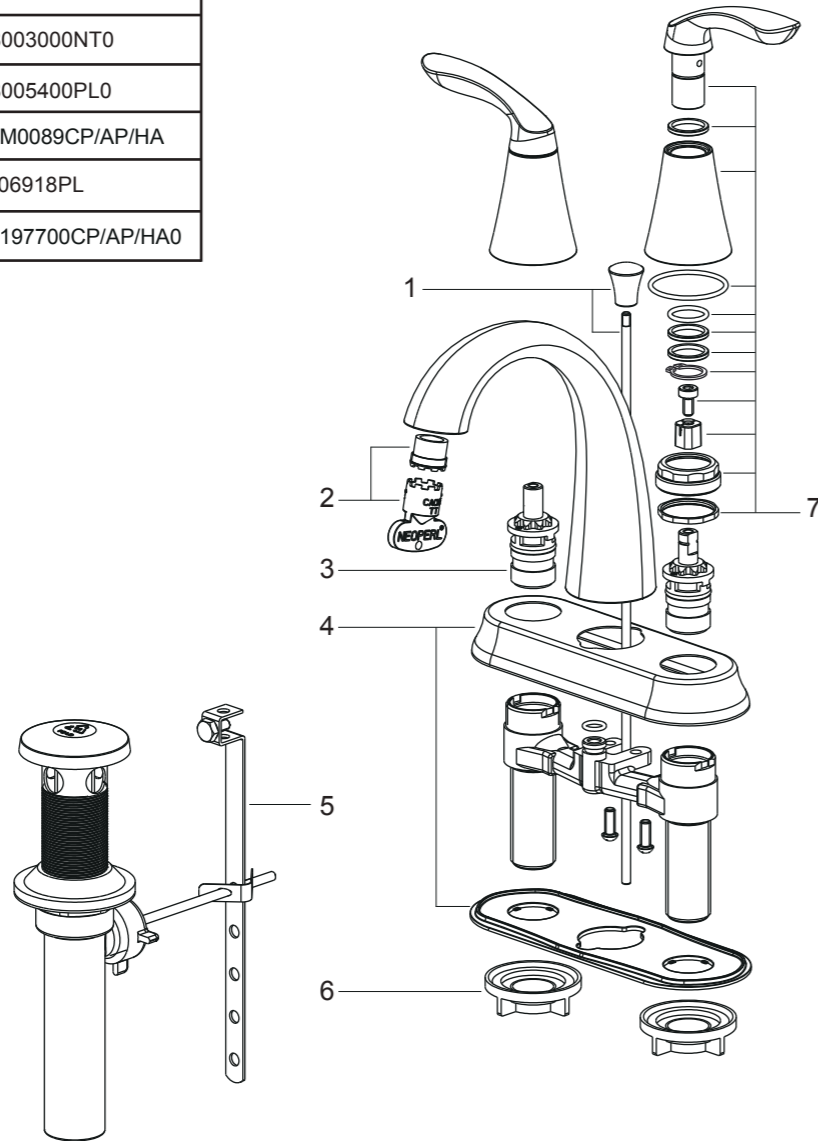


Replacement Parts / Pièces de rechange / Repuestos

No.	Description	Part No.
1	Lift Rod	5Y0197800CP/AP/HA0
2	Aerator Assembly	9Q252500PL
3	Cartridge	5D8003000NT0
4	Deck Plate Assembly	5D8005400PL0
5	Pop-Up Assembly	5Y0M0089CP/AP/HA
6	Mounting Nut	52006918PL
7	Handle Assembly	5Y0197700CP/AP/HA0



UF46310
UF46313
UF46315
UF46317

Stiletto Collection

Two-Handle Centerset Lavatory Faucet



Installation/Installation/Instalación

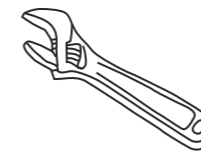
CUSTOMER SERVICE

TOLL-FREE 1-888-OK-ULTRA (658-5872)

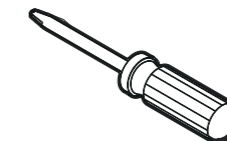


UF46310 - Polished Chrome
UF46313 - PVD Brushed Nickel
UF46315 - Oil Rubbed Bronze
UF46317 - Matte Black

Tools You Will Need / Outils dont vous aurez besoin / Herramientas necesarias



Adjustable Wrench
Clé à molette
Llave ajustable



Phillips Screwdriver
Tournevis Phillips
Destornillador cruciforme



Pipe Tape
Ruban pour tuyau
Cinta selladora para rosca

Limited Lifetime Warranty

Ultra Faucets warrants to the original purchaser that its products will be free from defects in workmanship and materials. All Ultra Faucets are provided with a life time limited warranty. This warranty does not cover any other labor or service charges associated with the removal, repair, or reinstallation of Ultra Faucets products. This express warranty does not apply to products that have been damaged as a result of misuse, abuse, negligence, accident, faulty installation or maintenance practices and/or used in any manner contrary to those recommended by the manufacturer.

Need help? Please call our toll-free customer service line at 1-888-658-5872 for additional assistance or service.

Besoin d'aide? Veuillez communiquer avec notre service à la clientèle au numéro gratuit 1-888-658-5872 pour tous renseignements ou services complémentaires.

¿Requiere asistencia? Llame a nuestro Servicio al Cliente, sin costo, al 1-888-658-5872 para asistencia adicional o servicio.

SAFETY TIPS

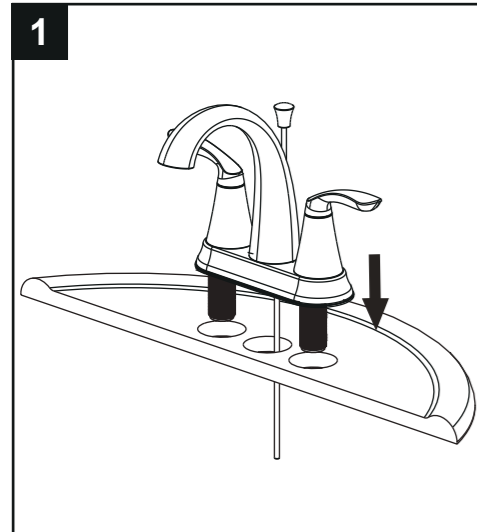
- If you use soldering for the installation of the faucet, the seats, cartridges and washers will have to be removed before using flame. Otherwise, warranty will be void on those parts.
- Cover your drain to avoid losing parts.
- 0°C~55°C.

CONSIGNES DE SÉCURITÉ

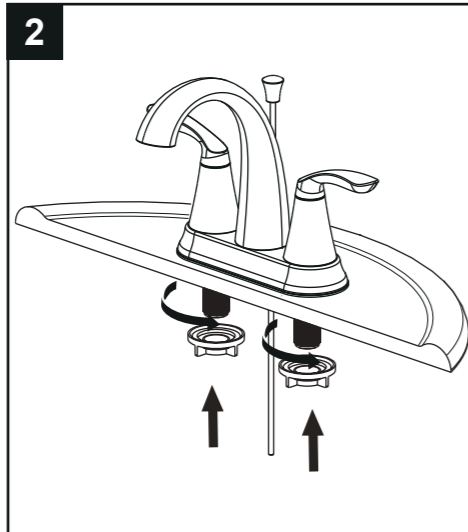
- Si vous posez le robinet par brasage, il est essentiel de retirer les sièges, les cartouches et les rondelles avant d'appliquer la flamme, faute de quoi la garantie sur ces pièces sera annulée.
- Couvrez le drain pour ne pas perdre des pièces.
- 0°C~55°C.

CONSEJOS DE SEGURIDAD

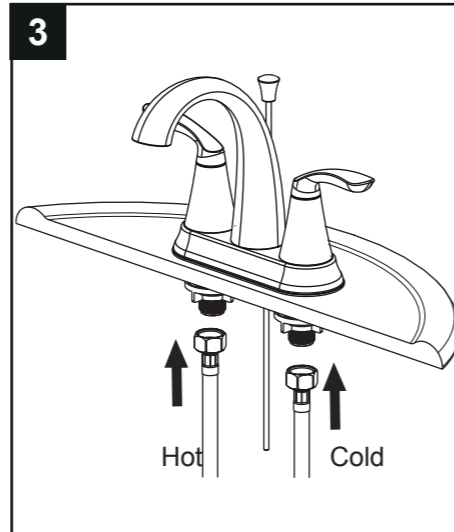
- En el caso de utilizar soldadura para instalar el grifo, remueva los asientos, cartuchos y arandelas antes de usar la llama. De lo contrario, se anulará la garantía para esos componentes.
- Tape la boca del desagüe para prevenir la pérdida de piezas pequeñas.
- 0°C~55°C.



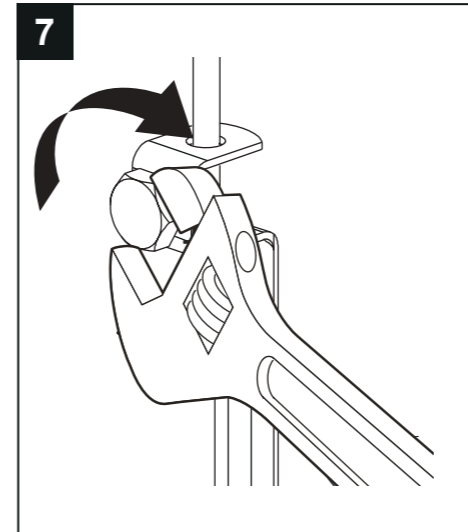
Lower faucet into mounting holes.



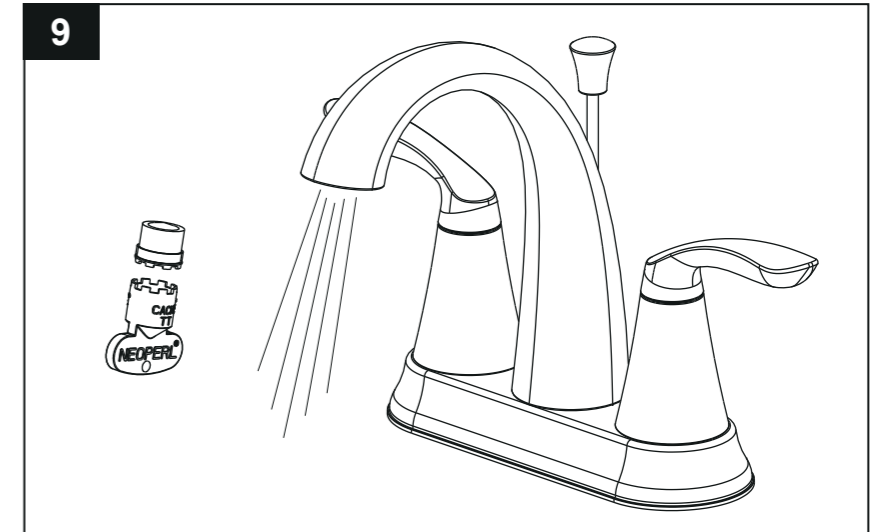
Carefully tighten mounting nuts to secure faucet.



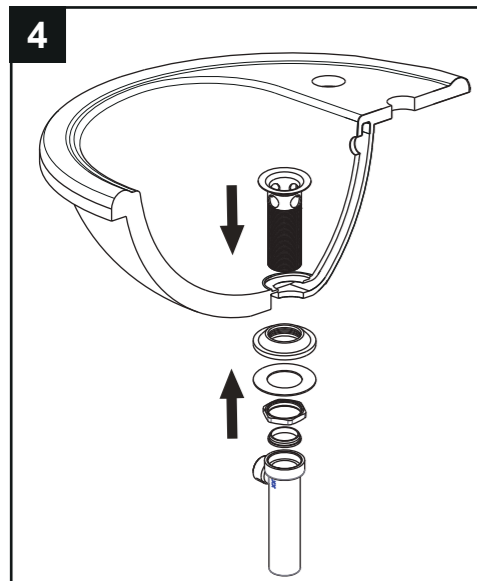
Install water inlet hoses.



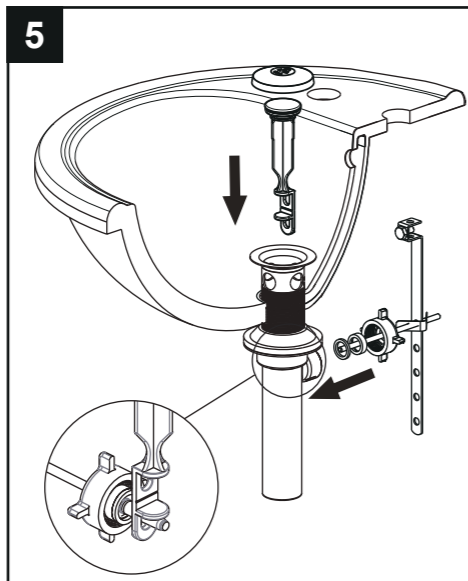
Tighten the screw in the strap onto the lift rod.



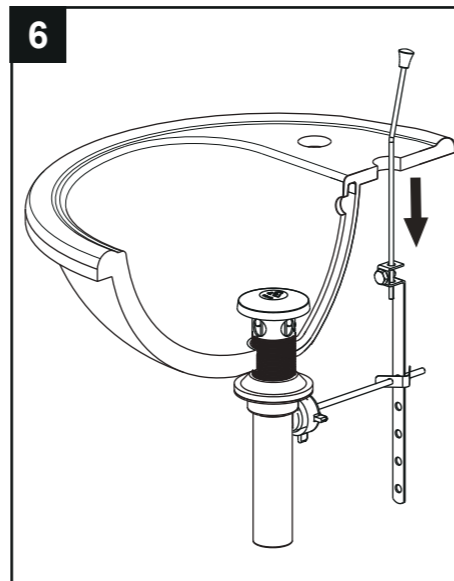
Remove aerator with wrench and flush out debris. Reinstall aerator.



Slide drain trim and plug into drain hole and secure from below with washer and nut. Attach the drain tail piece to drain body.



Install the drain stopper assembly and attach the movable rod assembly into the drain body.



Attach the lift rod to the strap.