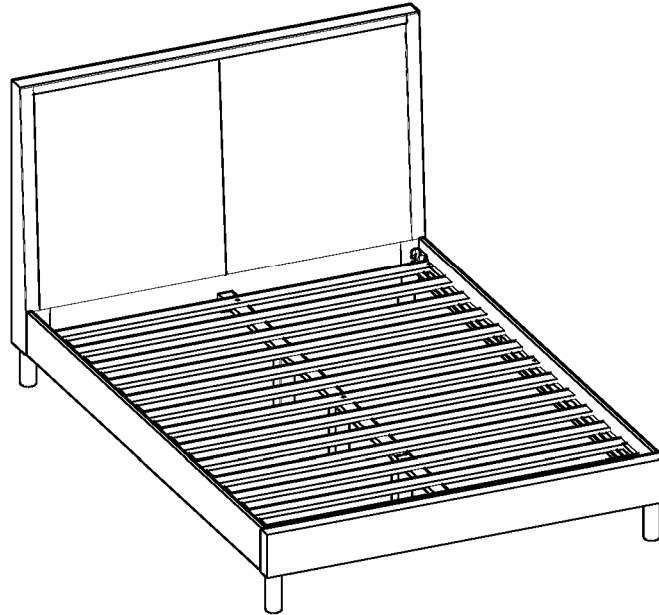
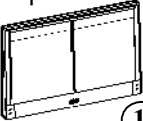





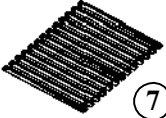


ASSEMBLY INSTRUCTIONS




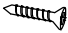
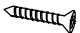
MODEL : BD737-FS



COMPONENT

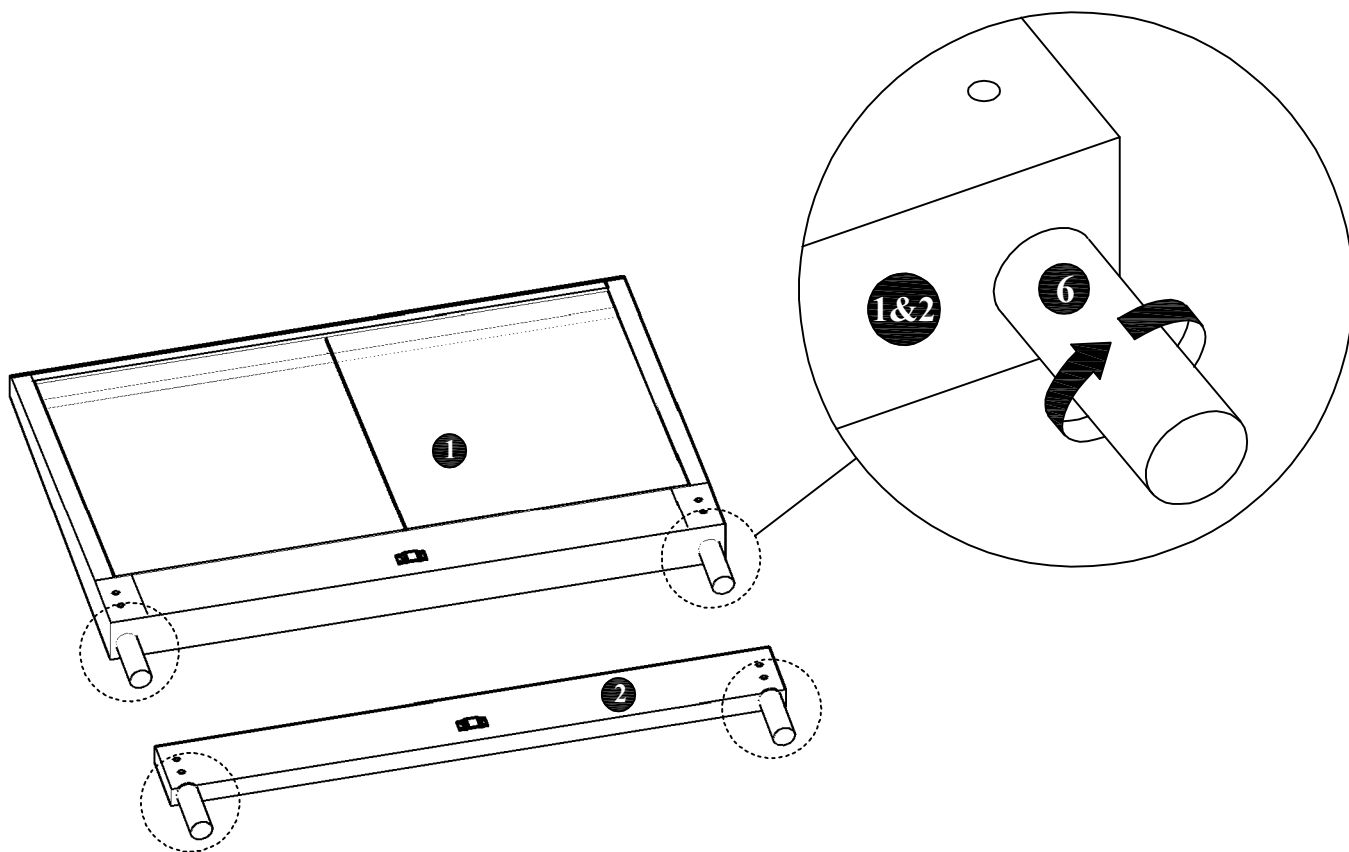
Headboard - 1 pc.  ①	Footboard - 1 pc.  ②	Side Rail - 2 pcs.  ③	Center Rail - 1 pc.  ④	Center Leg - 3 pcs.  ⑤	Bed Leg - 4 pcs.  ⑥	Slats - 13 pcs.(1set)  ⑦
--	---	--	---	---	--	---

HARDWARE

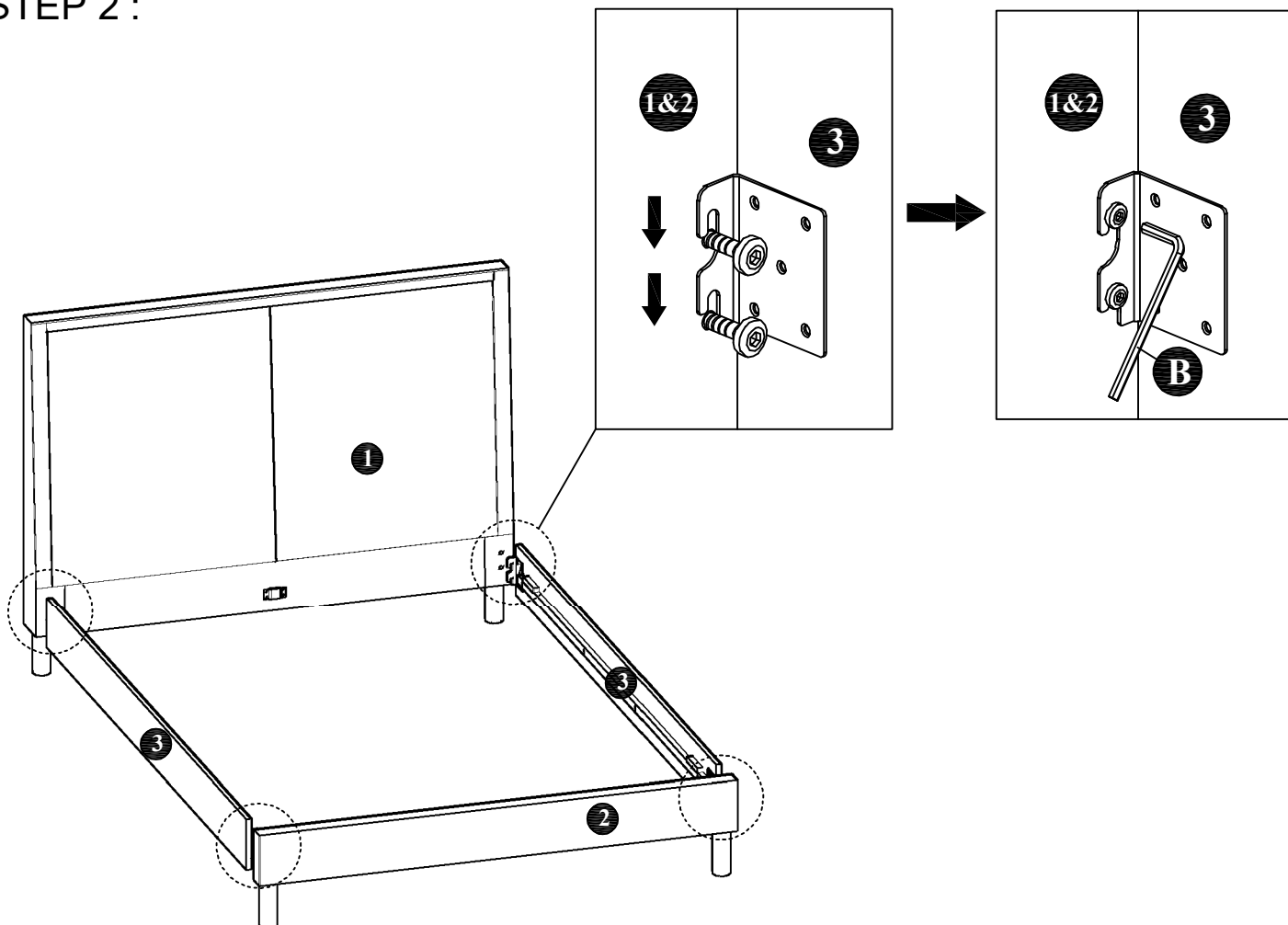
Allen Key M4 - 1 pc.  A	Allen Key M5 - 1 pc.  B	JCBC Bolt M6 x 40mm - 6 pcs.  C	Wood Screw M4 x 20mm - 2 pcs.  D	Wood Screw M4 x 25mm - 9 pcs.  E
--	---	--	---	---

ASSEMBLY INSTRUCTIONS

STEP 1 :

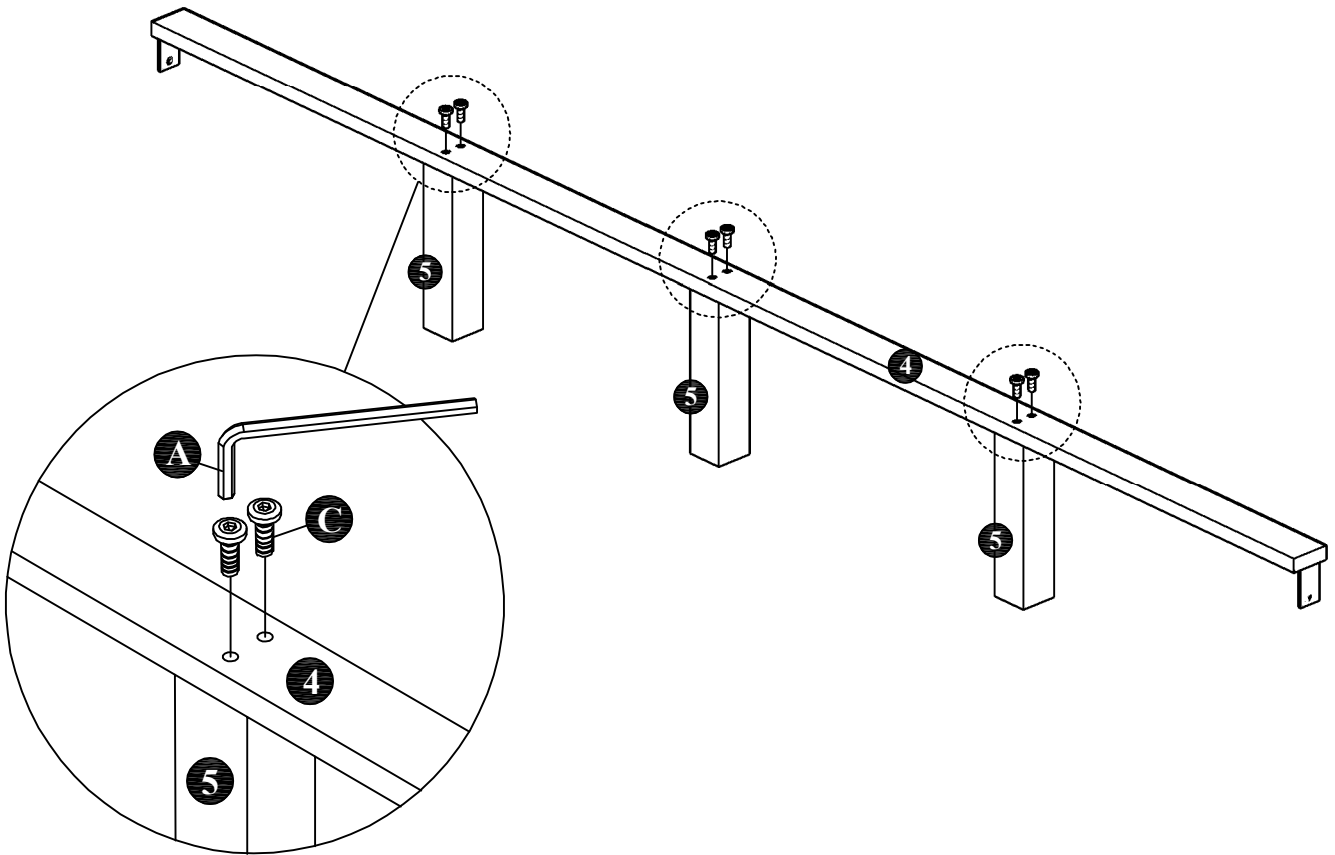


STEP 2 :

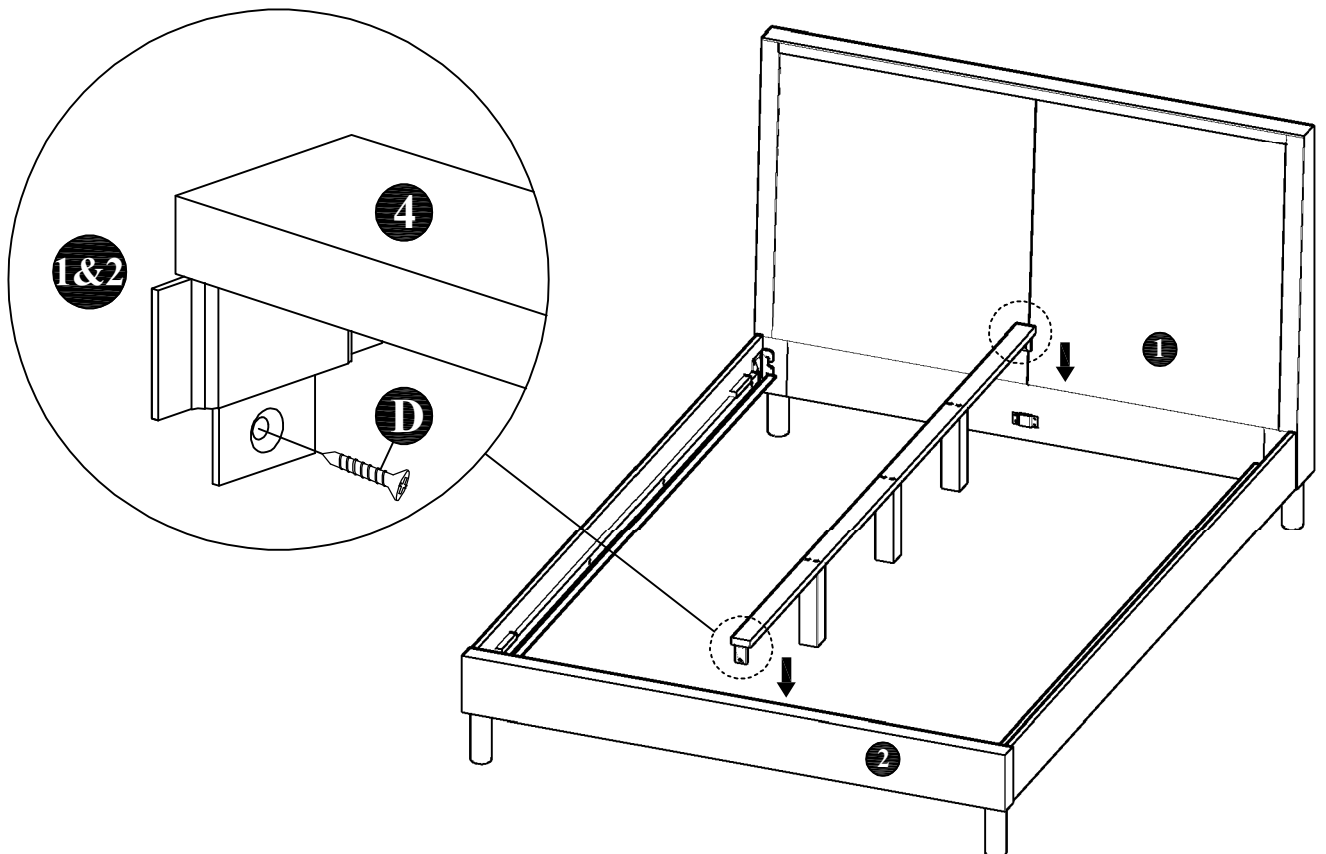


ASSEMBLY INSTRUCTIONS

STEP 3 :

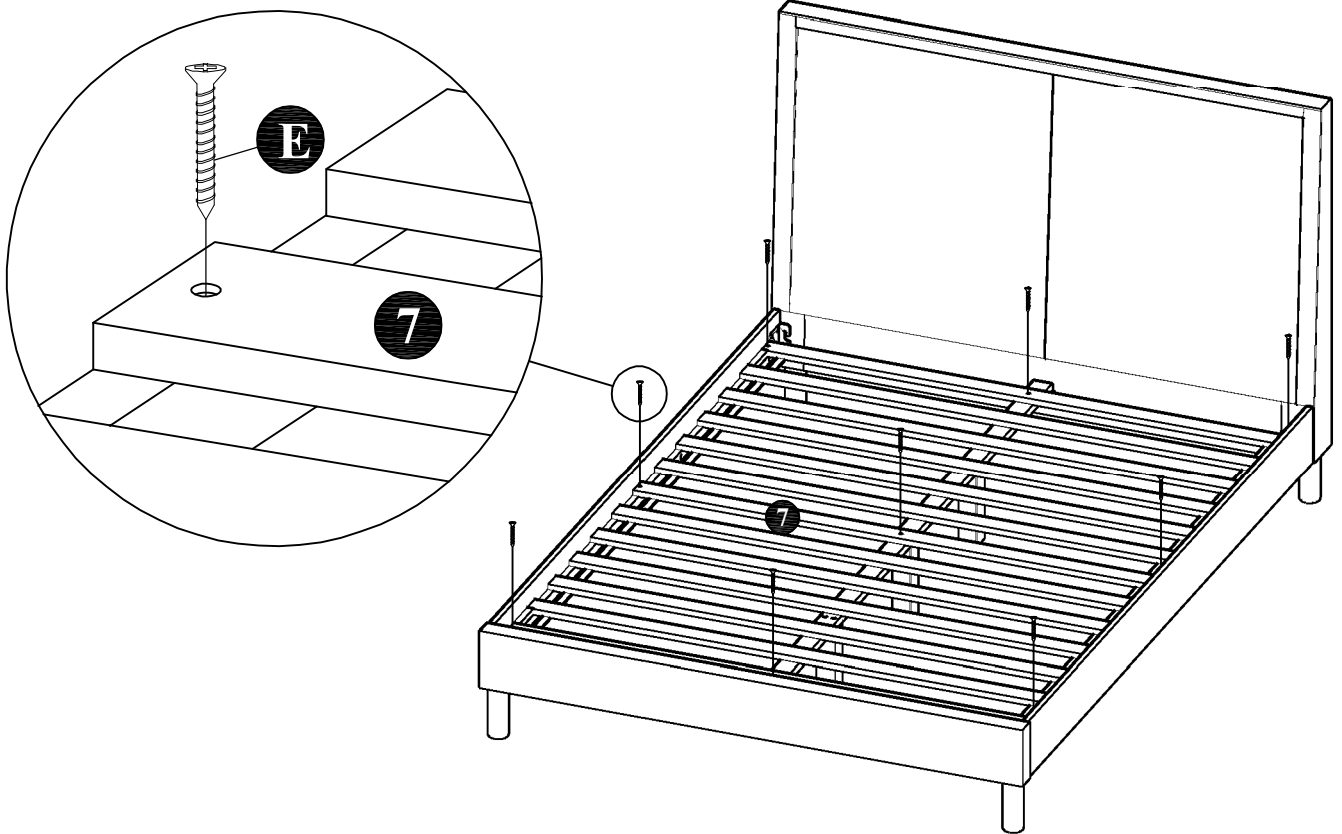


STEP 4 :



ASSEMBLY INSTRUCTIONS

STEP 5 :



COMPLETE VIEW

IMPORTANT

Please lift up the bed to move
with 2 or more people.

DO NOT DRAG THE BED!

