

ASSEMBLY INSTRUCTION

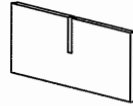
3-DRAWER NIGHTSTAND WITH 2 SETS MODULAR STORAGE PANELS

A 3 Drawer Nightstand



1 pc

B Modular Storage Panel (Big)
(In the bottom drawer of Nightstand)



2 pcs

C Modular Storage Panel (Small)
(In the bottom drawer of Nightstand)



4 pcs

D Bracket



2 pcs

E Tie Wrap



1 pc

F Pan Head CB Screw
M4 x 50mm



1 pc

G Pan Head CB Screw
M4 x 16mm



1 pc

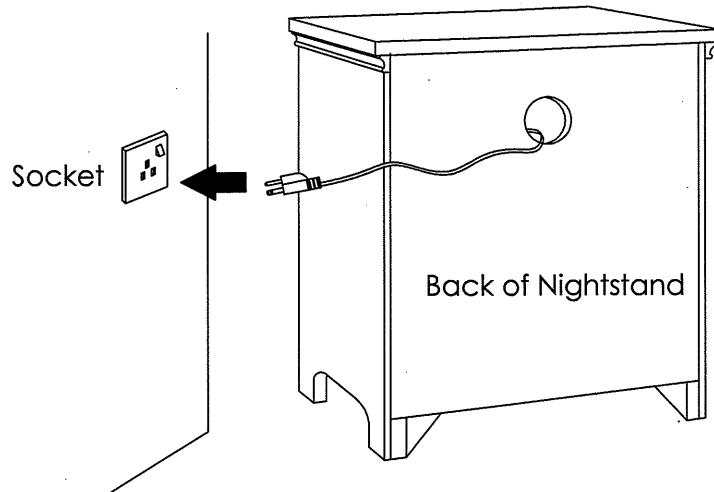


This page lists all the contents included in the box. Please take the time to identify the hardware as well as the individual components to this product. As you unpack and prepare for assembly, place the contents on a carpeted or padded area to protect them from damage.

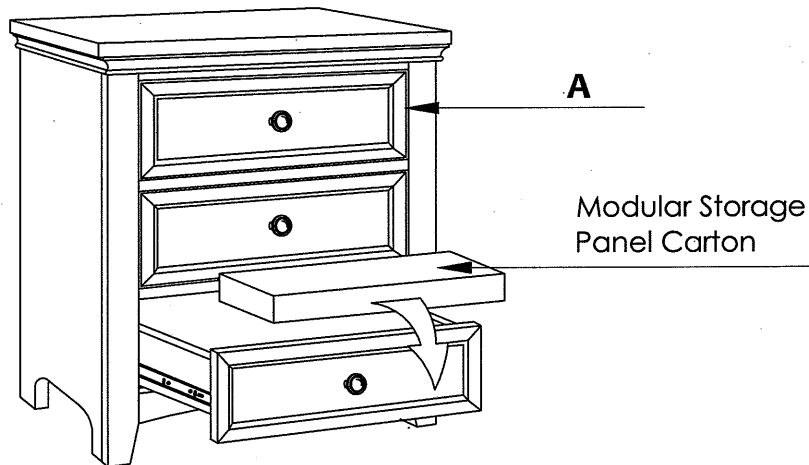
IMPORTANT NOTE :

1. Do not tighten all screws / bolts until all completely assembled.
2. Keep all hardware parts out of reach of children.

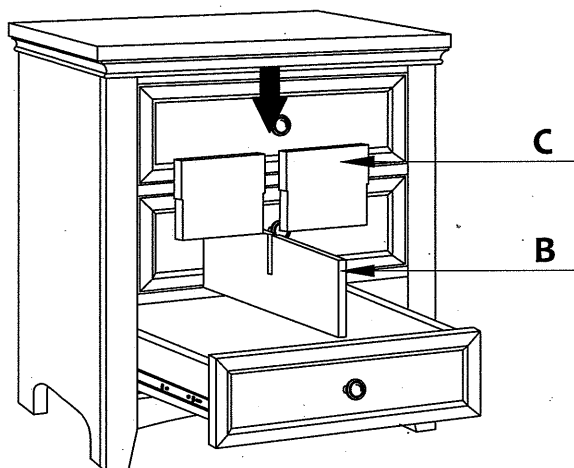
- 1** Take the power cord thru the hole on the back of the Nightstand (A) and plug it into a wall outlet.



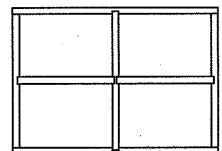
- 2** Open the bottom drawer and find the box that contains the modular drawer dividers.



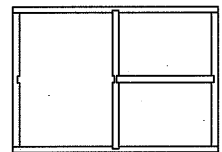
- 3** When putting the drawer dividers in, please pull out the drawer to its fullest extent. Then insert the drawer dividers in as shown in the diagram.



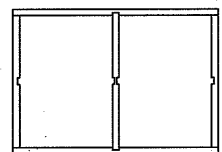
Optional 1



Optional 2

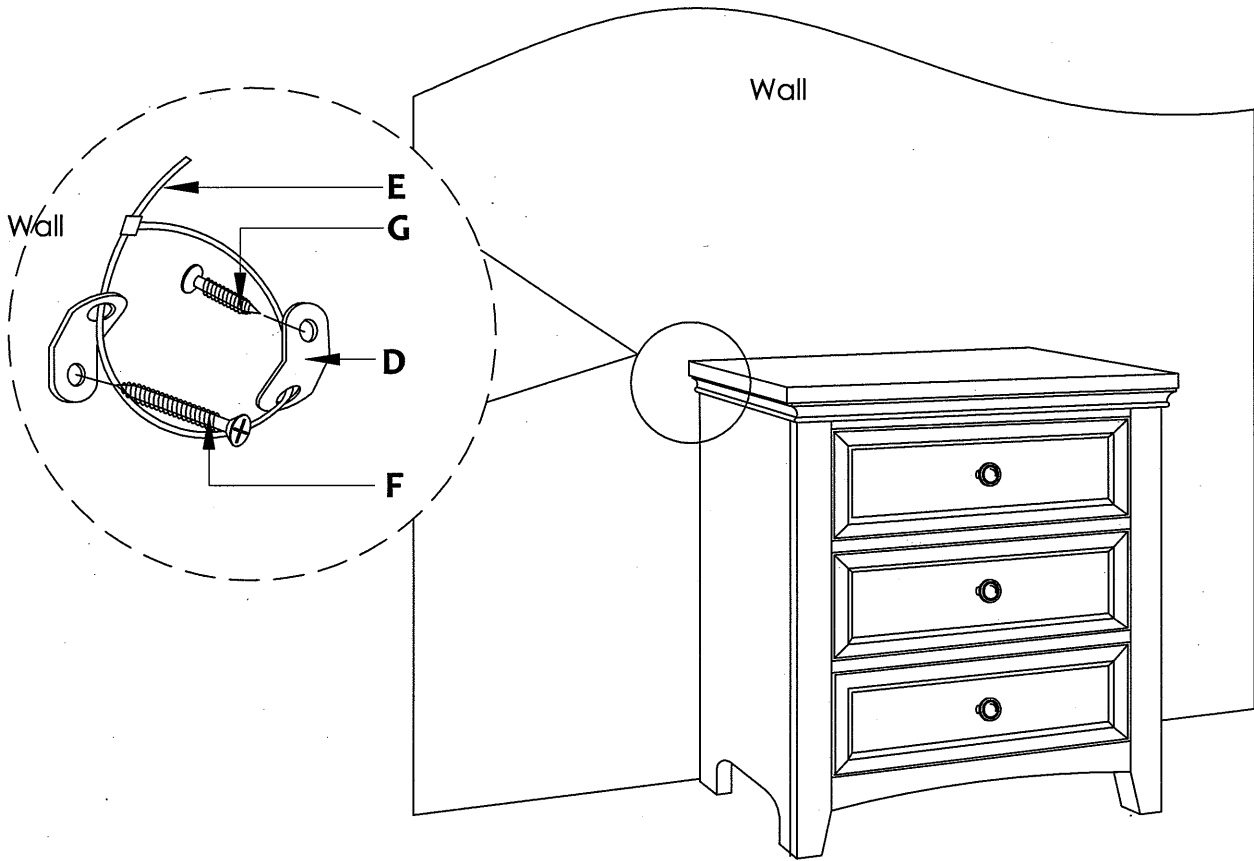


Optional 3



Drawer divider option

- 4** Attach tip restraint hardware (D), (E), (F) and (G) to Nightstand (A) and wall as picture below.



CLEANING & CARE

Treat surface with care. Surface is resistant to scratches but is not scratches resistant. Clean surface with a dry or damp soft cloth. Do not use abrasive cleaners. Hardware may loosen overtime. Periodically check that all connections are tight.