

# HYZK32-E3 | E3-B | E3-E

chefcubii 4-IN-1 COMBI-STEAM OVEN

# FOTILE

A BREATH OF FRESH ENGINEERING®



## Color

- White
- Black
- Beige

## Main Features

### 1.1 cu.ft. 4-in-1 Combi Oven Master Every Meal

Steam, bake, dehydrate, or air dry — plus functions like proofing, soup, warming, and even self-cleaning — all in one sleek, professional-grade oven.

### Precision Heating with Dual-Zone Control

Top & Bottom Independent Heating + True 360° Convection Dual 1800W elements and dynamic airflow deliver evenly cooked, restaurant-quality results every time.

### 4 Dynamic Steam Modes

Fast. Gentle. Common. Intense. Tailored steam performance preserves moisture, flavor, and nutrients — whatever you're cooking.

### 50 Chef-Crafted Presets

From Stir-Fry to Soufflé — Just Turn the Knob  
Discover a world of Chinese and Western recipes, perfectly calibrated for everyday ease and gourmet flair.

### Effortless to Clean

Premium Materials. Smart Design. Food-grade stainless steel and a ceramic-coated back wipe clean in seconds. Fold-down heating elements offer easy access to every corner.

### Intuitive Control

Tap. Turn. Done. Smart knob navigation and one-touch operation make sophisticated cooking simple. Easily toggle between °C and °F to match your recipe.



# HYZK32-E3 | E3-B | E3-E

 **chefcubii** 4-IN-1 COMBI-STEAM OVEN

# FOTILE

A BREATH OF FRESH ENGINEERING®

## Specifications



Model: HYZK32-E3



Model: HYZK32-E3-B



Model: HYZK32-E3-E

### APPEARANCE & MATERIALS

Color	White	Black	Beige
Door Material	2 layers of Tempered Glass 1 layer of Low E Glass		
Interior Material	304 Stainless Steel, Ceramic Coating		
Control Type	Knob		

### POWER/RATINGS

Powers Supply	120V/60Hz,15A
Wattage(W)	1800

### CAPACITY

Capacity(cu.ft.)	1.1
Oven Rack Positions	3
Water Container Capacity(gallon)	0.24

### FEATURES

Certification	ETL, FDA, TSCA
Temperature Range(°F)	86-446
Convection Type	True Convection
Temperature Accuracy	Steam +/- 1°F (1°C) Bake +/- 1°F(1°C)
Steam Generator	Internal
Preset Menus(recipe)	50
Main Cooking Features/Modes	Steam、 Low Steam、 High Steam、 Quick Steam、 Full Conv.、 Conv.Bake、 Steam Bake、 Broil、 Air Fry、 Stew、 Keep Warm、 Dehydrate、 Dry Up、 Descale
Cleaning Type	Steam Clean
Installation Type	Countertop

### WARRANTY

Labor Warranty	1-year Limited
Parts Warranty	1-year Limited

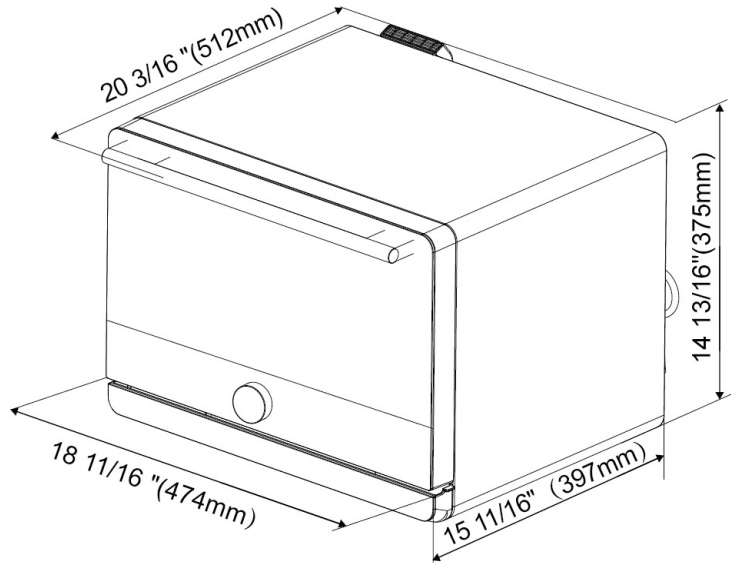
# HYZK32-E3 | E3-B | E3-E

 **4-IN-1 COMBI-STEAM OVEN**

# FOTILE

A BREATH OF FRESH ENGINEERING®

## Product Dimensions (Unit: inch/mm)



Note: The dimensions shown above indicate the maximum overall dimensions, which may deviate from the actual ones by  $\pm 3/16"$  ( $\pm 4\text{mm}$ ). This is normal.

### WEIGHTS & DIMENSIONS

Product Dimensions(WxDxH)(inch)	18 11/16×20 3/16×14 13/16
Product Dimensions(WxDxH)(mm)	474×512×375
Net Weight	39.7lbs(18kg)

### ACCESSORIES

Accessories Included	Oven Mitten*1
	Baking Rack*1
	Humidity-Controlled Chip*1(For Dyhydration)
	Vent Extension Kit*1
	Steaming & Baking Rack*1
Optional Accessories	Steam Tray

Accessories: To purchase FOTILE accessories and parts, please visit us at [us.fotileglobal.com](http://us.fotileglobal.com) or call 1(888)315-0366.

Notes: Information is subject to change. Please refer to the FOTILE website for the most up-to-date information.

Warranties: Please see the user manual or FOTILE website for the statement of limited warranty.

For more information on our entire line of products: visit [us.fotileglobal.com](http://us.fotileglobal.com) or call 1(888)315-0366.

©2024 FOTILE America LLC. All rights reserved. FOTILE is a registered trademark of FOTILE Group.