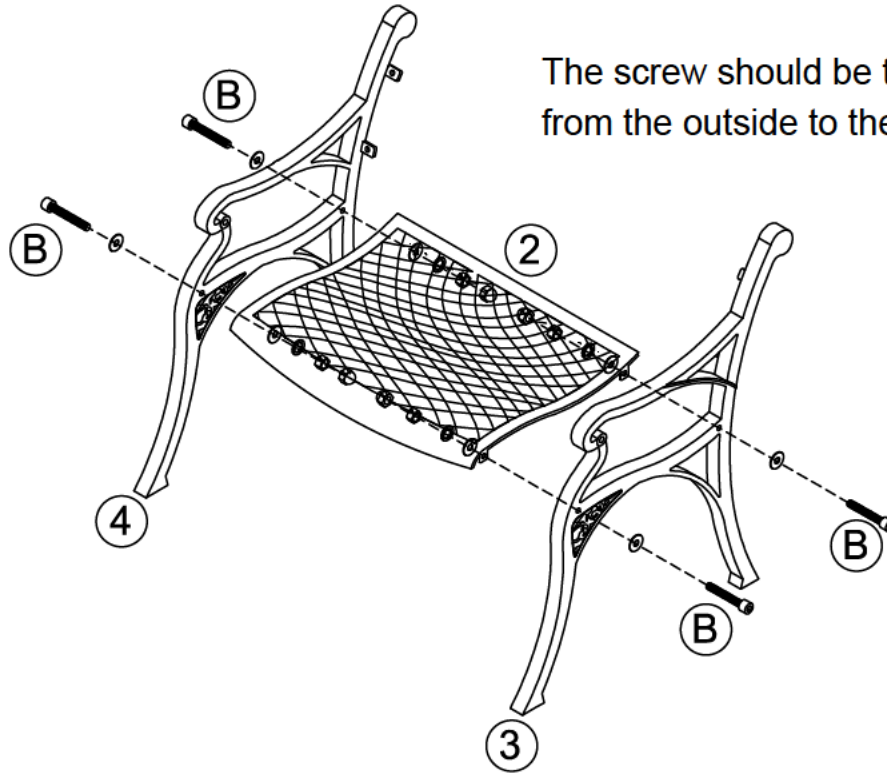


1		1PC	4		1PC
2		1PC	A	<p>M6*25 Bolt</p>	4PCS
3		1PC	B	<p>M8*25 Bolt</p>	4PCS

1

2 *1pcs
3 *1pcs
4 *1pcs
B *4pcs

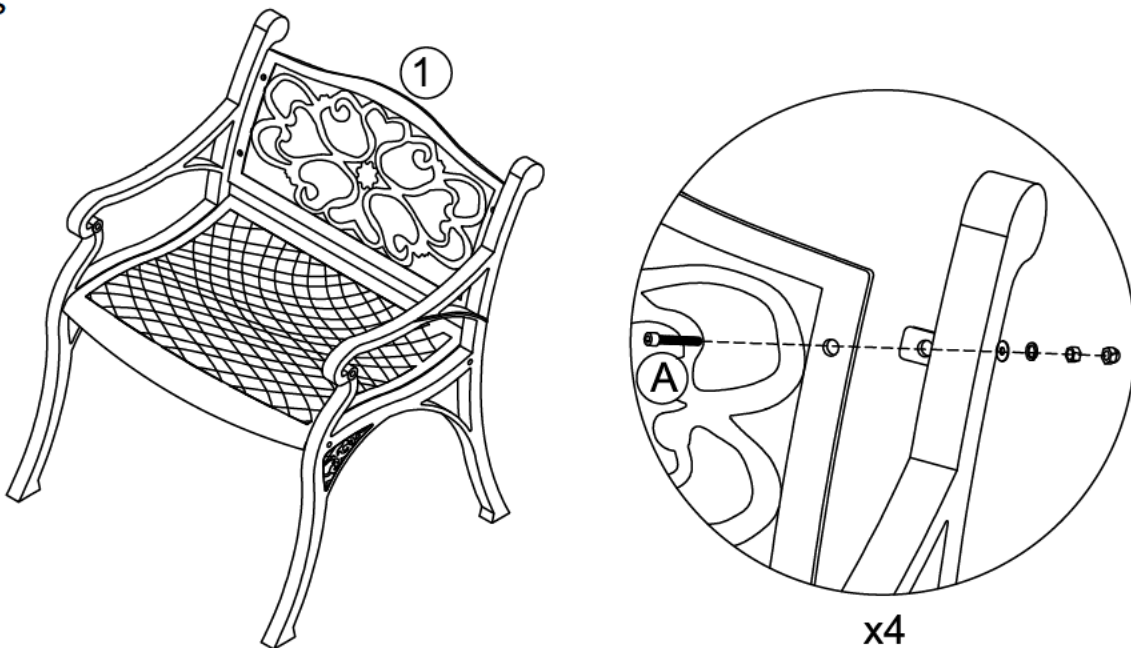
The screw should be threaded
from the outside to the inside



2

1 *1pcs
A *4pcs

The screws should be from the
front to back



Installation finished