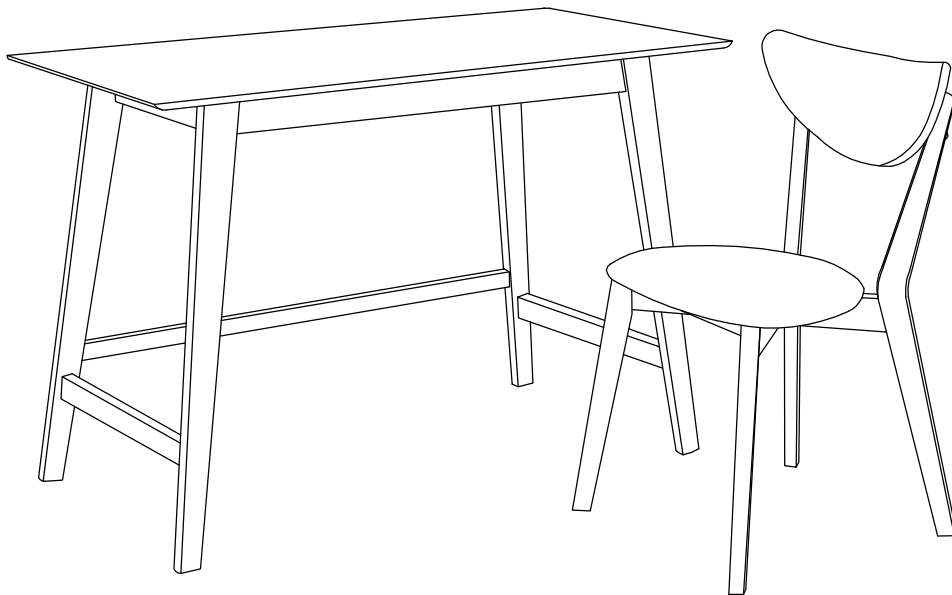


# *ASSEMBLY INSTRUCTIONS*



***2Pc Desk Set***

# ASSEMBLY INSTRUCTIONS

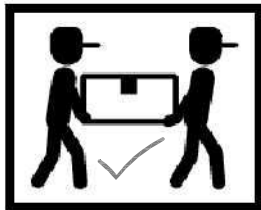
## ASSEMBLY TIPS :

1. Remove hardware from box and sort by size.
2. Please check to see that all hardware and parts are present prior to start of assembly.
3. Please follow attached instructions in the same sequence as numbered to assure fast & easy assembly.



### WARNING !

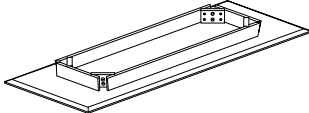
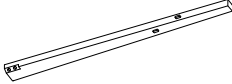
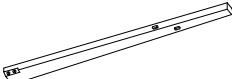



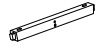


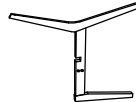
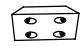

1. Don't attempt to repair or modify parts that are broken or defective. Please contact the store immediately.
2. This product is for home use only and not intended for commercial establishments.



ASSEMBLY TIME

45 MINUTES

## PARTS IDENTIFICATION

|   |                              |                                                                                      |      |
|---|------------------------------|--------------------------------------------------------------------------------------|------|
| A | DESK TOP                     |    | 1PC  |
| B | DESK LEG<br>(WITH "B" LABEL) |   | 1PC  |
| C | DESK LEG<br>(WITH "C" LABEL) |  | 1PC  |
| D | DESK LEG<br>(WITH "D" LABEL) |  | 1PC  |
| E | DESK LEG<br>(WITH "E" LABEL) |  | 1PC  |
| F | LONG TRESTLE BAR             |  | 1PC  |
| G | SHORT TRESTLE BAR            |   | 2PCS |
| H | BACKREST                     |  | 1PC  |
| I | UPPER LEG FRAME              |   | 1PC  |
| J | LOWER LEG FRAME              |   | 1PC  |
| K | WOOD CLEAT                   |   | 1PC  |
| L | SEAT CUSHION                 |  | 1PC  |

# ASSEMBLY INSTRUCTIONS

## ASSEMBLY TIPS :

1. Remove hardware from box and sort by size.
2. Please check to see that all hardware and parts are present prior to start of assembly.
3. Please follow attached instructions in the same sequence as numbered to assure fast & easy assembly.











### WARNING !








1. Don't attempt to repair or modify parts that are broken or defective. Please contact the store immediately.
2. This product is for home use only and not intended for commercial establishments.

## HARDWARE IDENTIFICATION

### DESK

|   |                                               |                                                                                      |      |
|---|-----------------------------------------------|--------------------------------------------------------------------------------------|------|
| 1 | <b>ALLEN WRENCH</b><br>(M4 x 110MM - BLK)     |    | 1PC  |
| 2 | <b>LONG BOLT</b><br>(M6 x 70MM - RBW)         |    | 8PCS |
| 3 | <b>SHORT BOLT</b><br>(M6 x 50MM - RBW)        |   | 2PCS |
| 4 | <b>SMALL LOCK WASHER</b><br>(1/4" - BLK)      |  | 2PCS |
| 5 | <b>BIG LOCK WASHER</b><br>(5/16" - RBW)       |  | 8PCS |
| 6 | <b>SMALL FLAT WASHER</b><br>(M6 x 13MM - RBW) |  | 2PCS |
| 7 | <b>BIG FLAT WASHER</b><br>(5/16" - RBW)       |  | 8PCS |
| 8 | <b>PAN HEAD SCREW</b><br>(#8 x 1 1/2" - BLK)  |  | 4PCS |

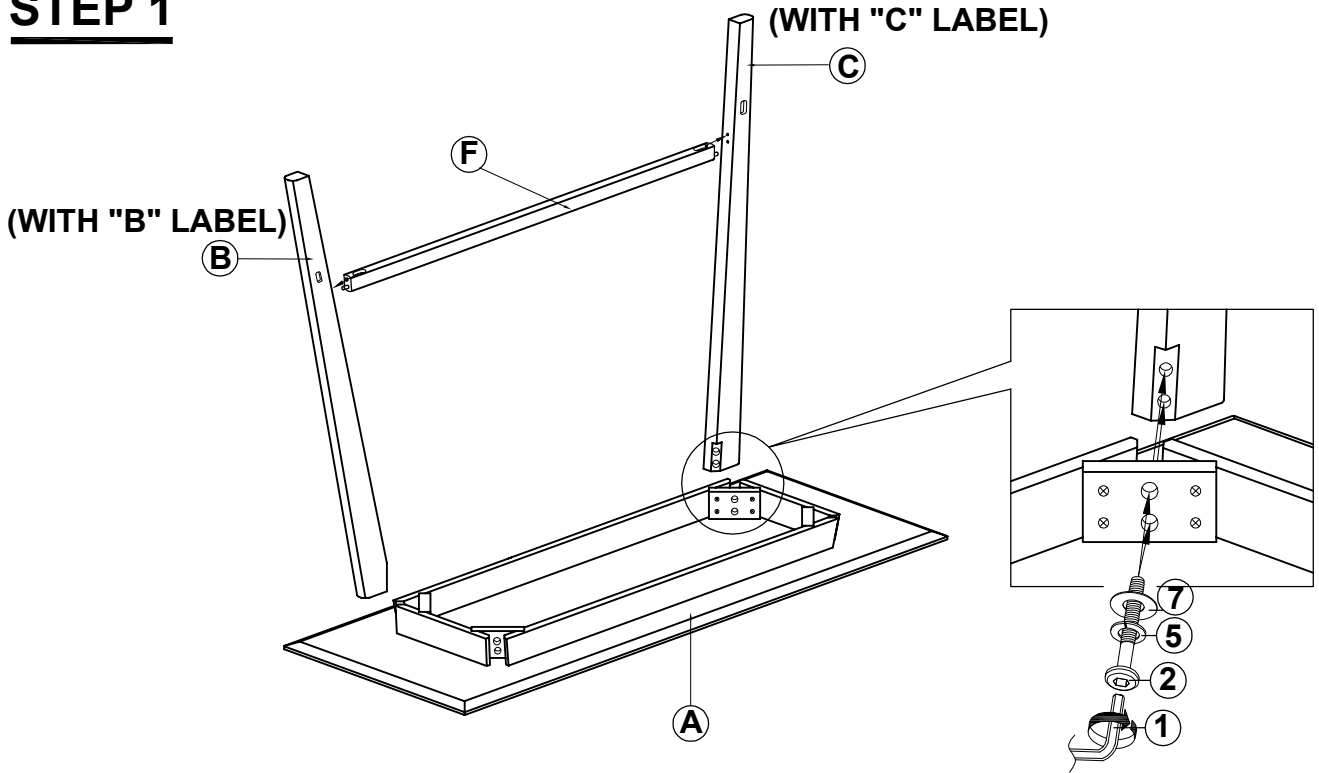
### CHAIR

|    |                                         |                                                                                      |      |
|----|-----------------------------------------|--------------------------------------------------------------------------------------|------|
| 9  | <b>LONG BOLT</b><br>(M6 x 60mm - RBW)   |  | 4PCS |
| 10 | <b>MEDIUM BOLT</b><br>(M6 x 35mm - RBW) |  | 4PCS |
| 11 | <b>SHORT BOLT</b><br>(M6 x 25mm - RBW)  |  | 4PCS |
| 12 | <b>LOCK WASHER</b><br>(1/4" - BLK)      |  | 8PCS |
| 13 | <b>FLAT WASHER</b><br>(M6 x 13MM - RBW) |  | 4PCS |
| 14 | <b>BOLT</b><br>(M7 x 50MM - ZB)         |  | 1PC  |
| 15 | <b>WOOD PLUG</b><br>(Ø14.5 x9MM)        |  | 4PCS |

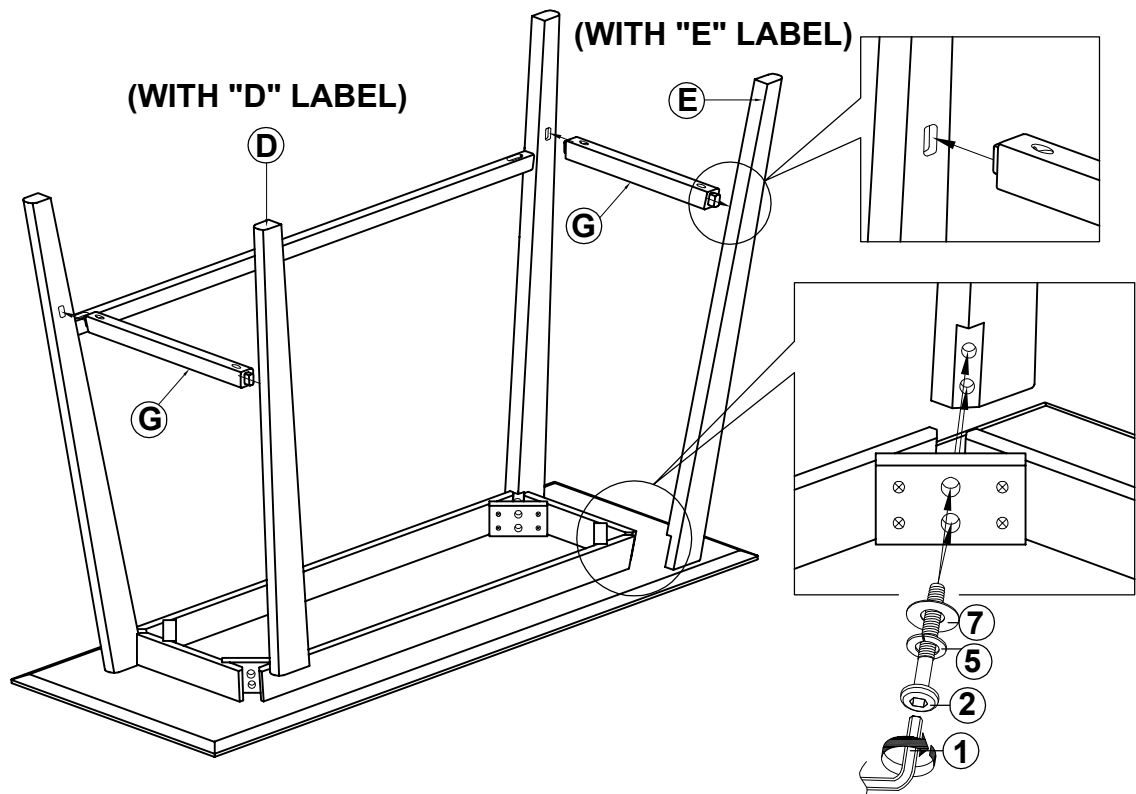
# ASSEMBLY INSTRUCTIONS

## DESK

### STEP 1

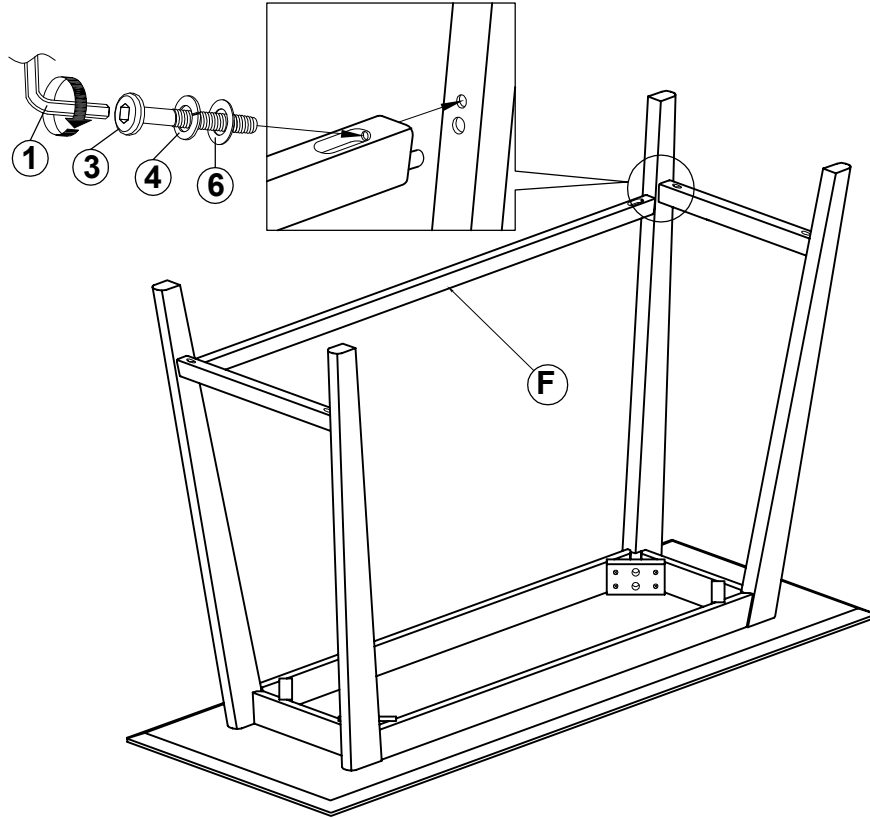


### STEP 2

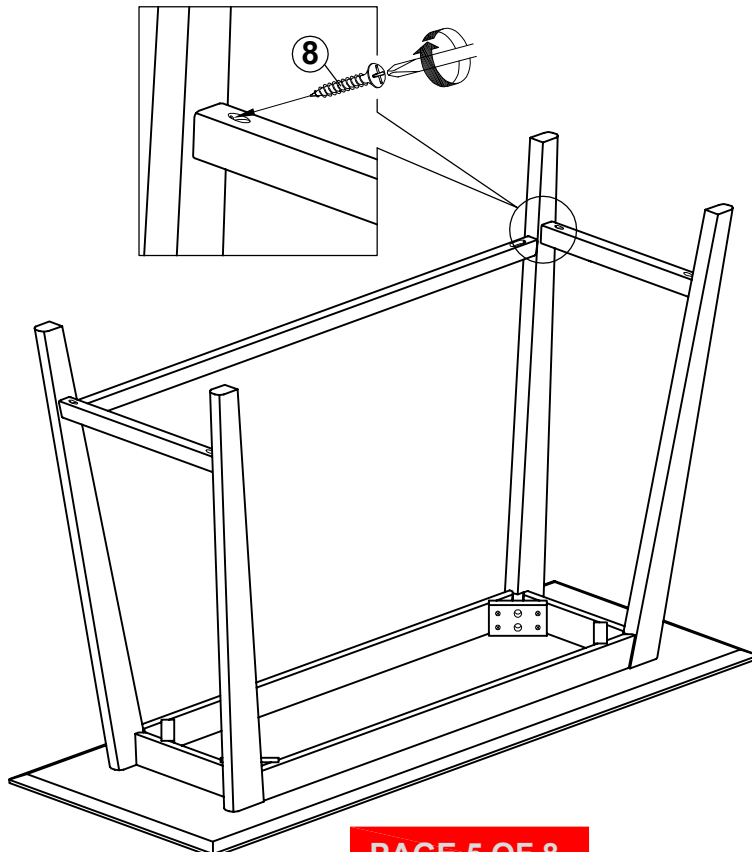


# ASSEMBLY INSTRUCTIONS

## STEP 3



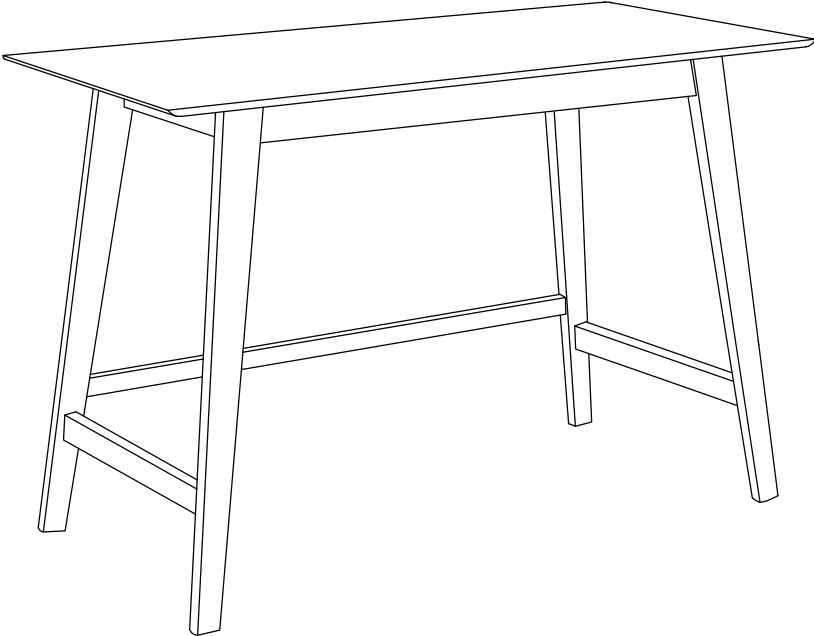
## STEP 4



**ASSEMBLY INSTRUCTIONS**

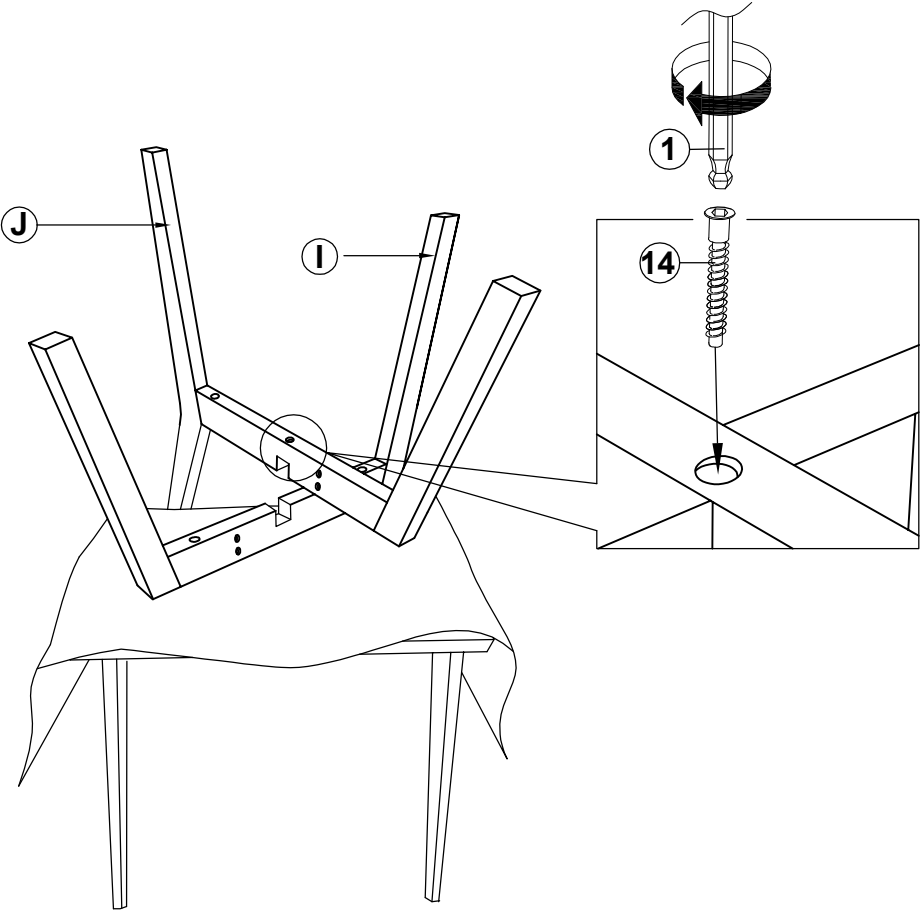
**STEP 5**

**COMPLETE**



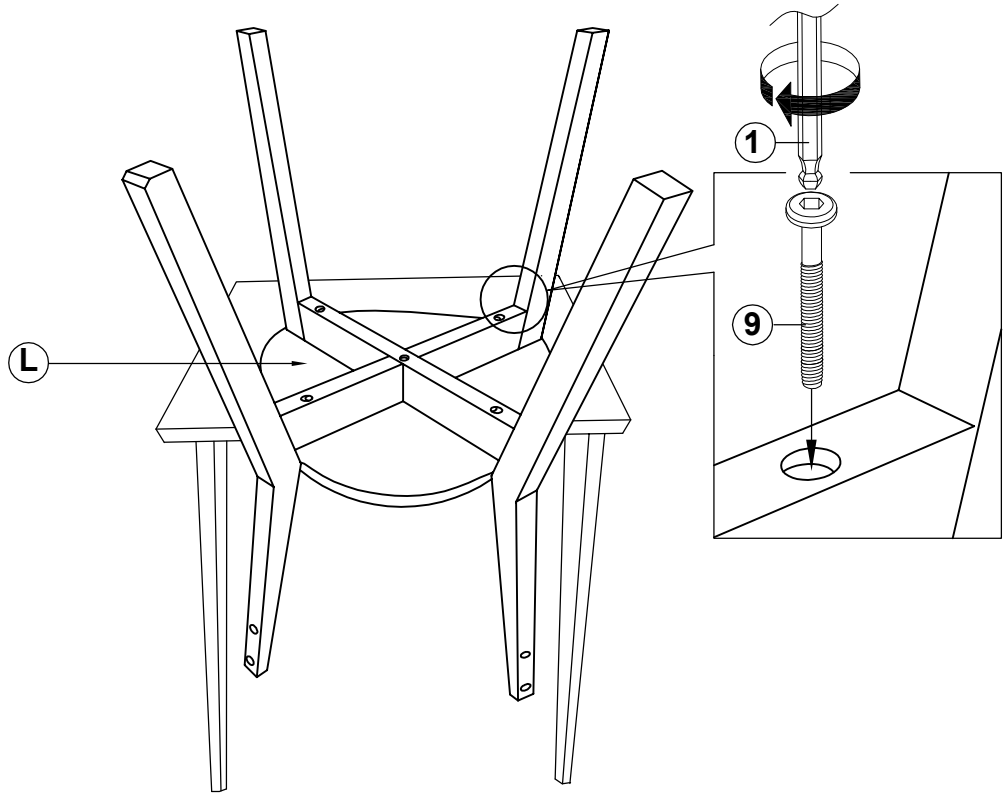
**CHAIR**

**STEP 6**

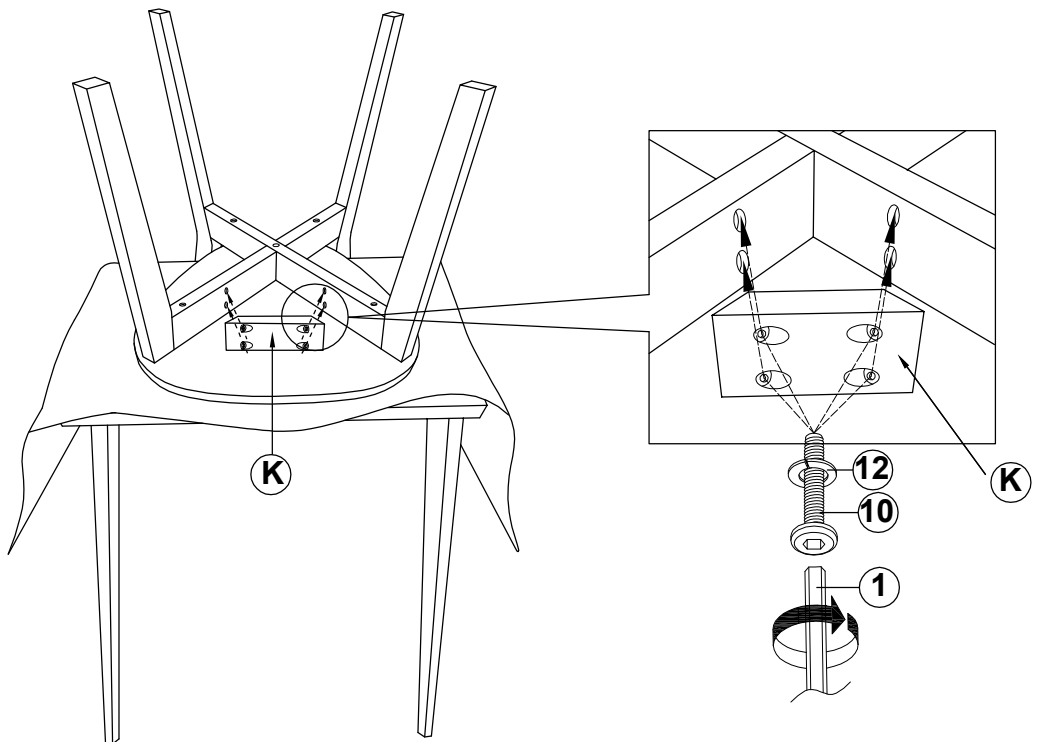


# ASSEMBLY INSTRUCTIONS

## STEP 7

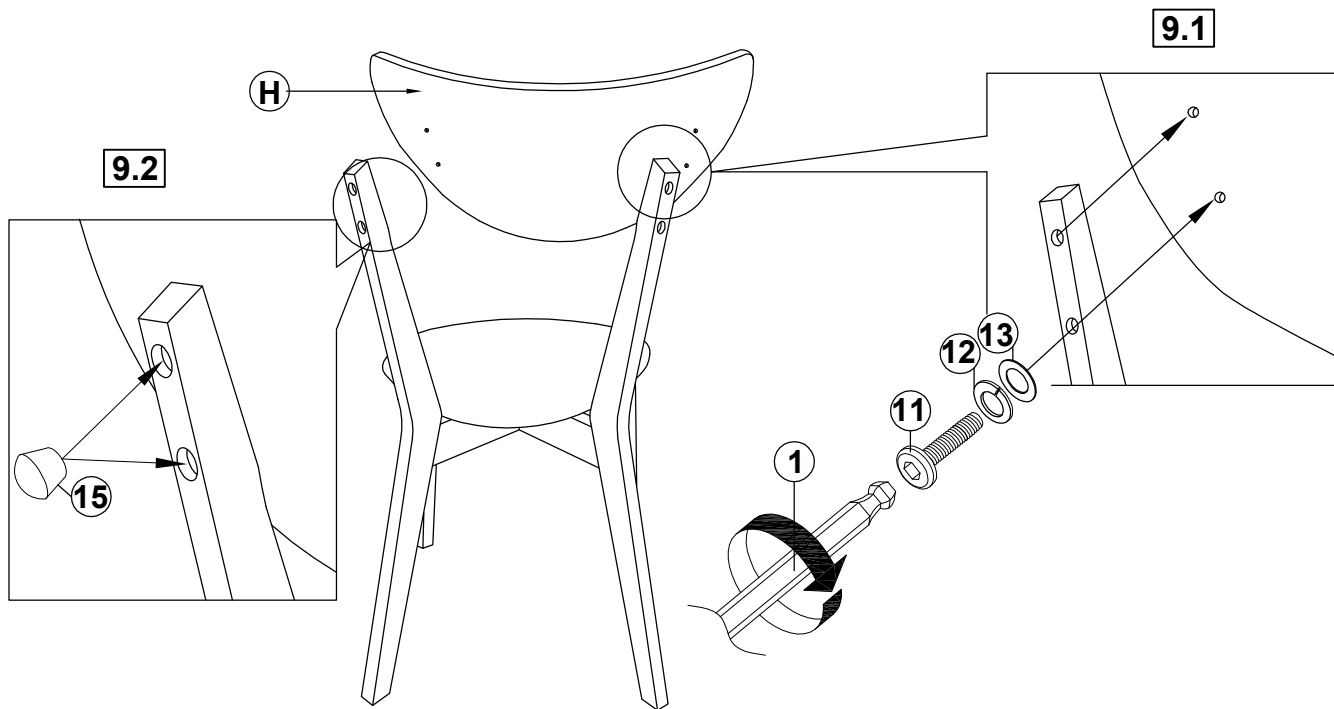


## STEP 8



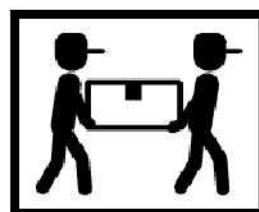
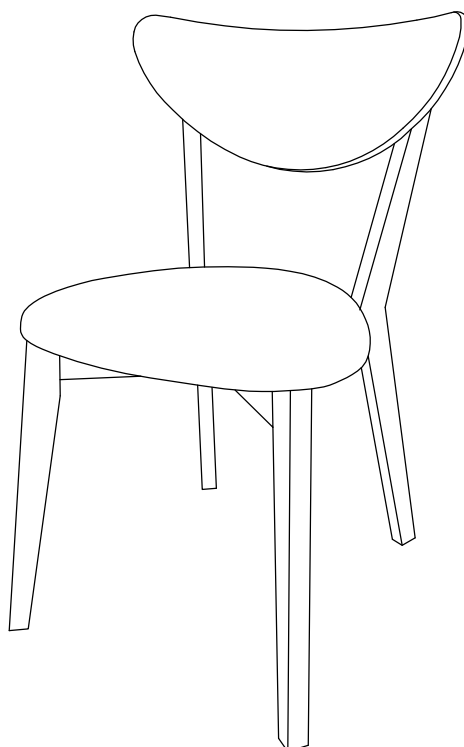
# ASSEMBLY INSTRUCTIONS

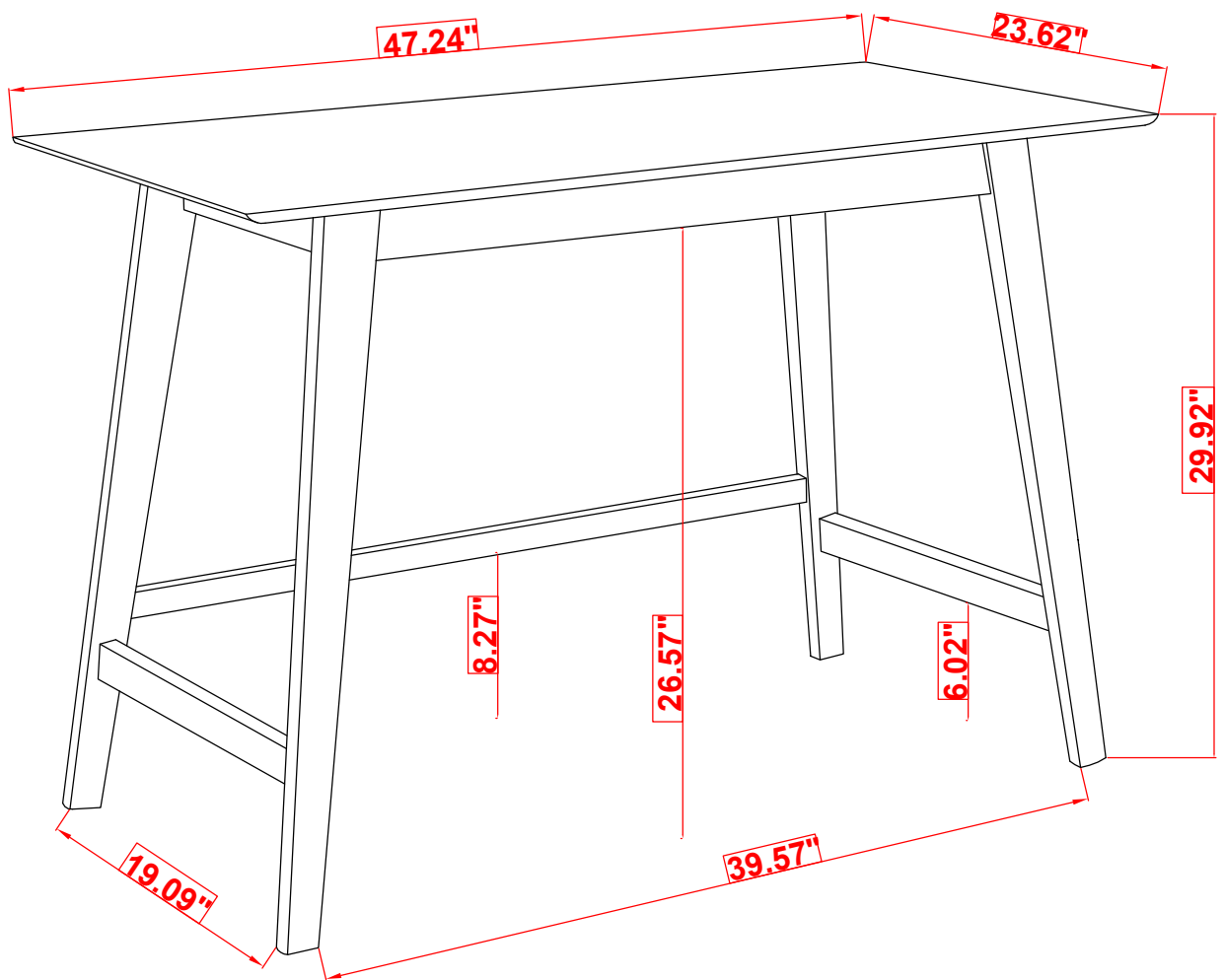
## STEP 9



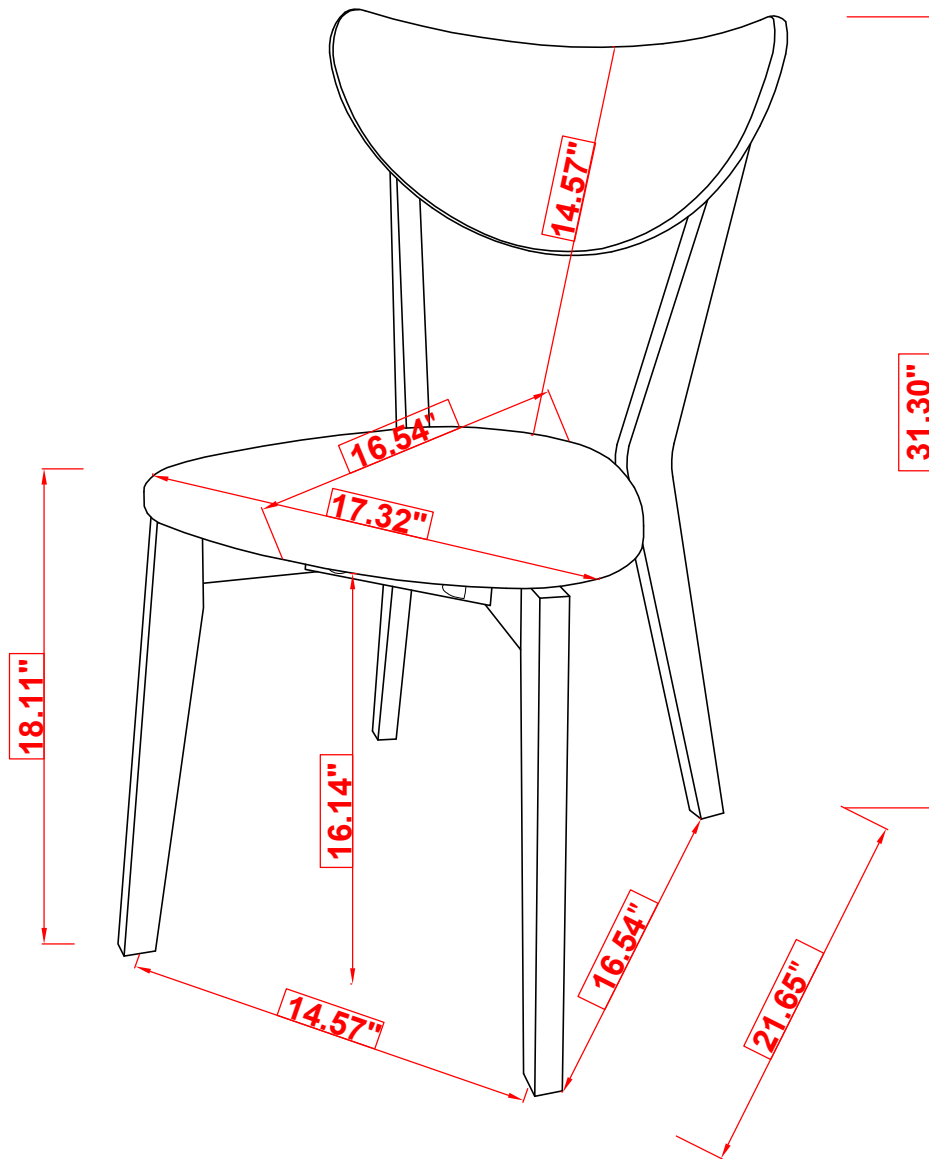
## STEP 10

### COMPLETE





Note : Dimension tolerance  $\pm 5\%$



**Note :** Dimension tolerance  $\pm 5\%$