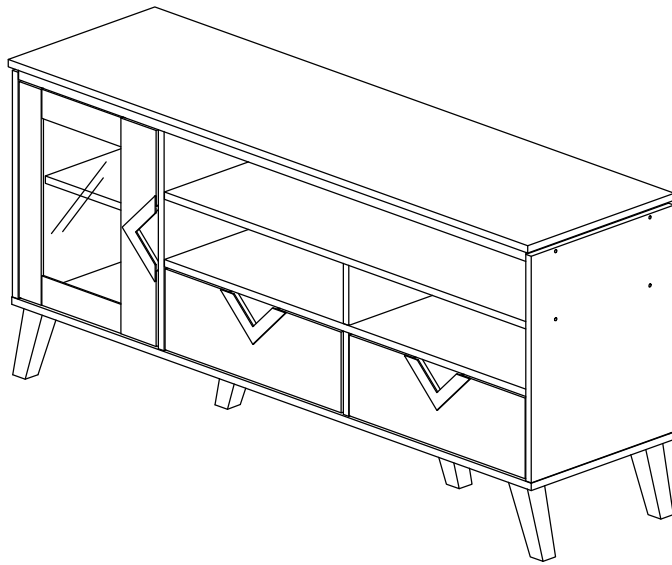
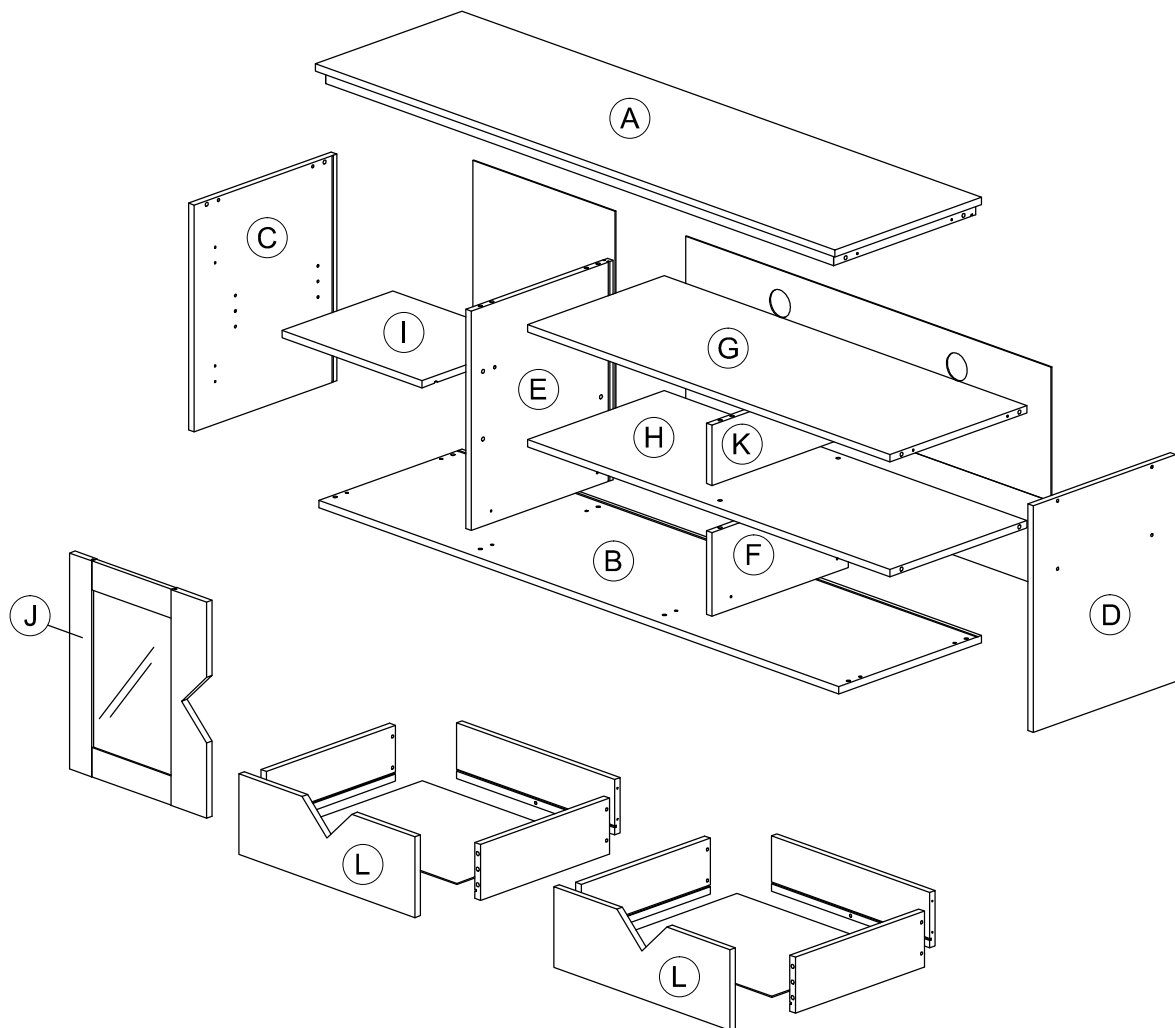


# Assembly Instruction




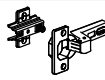

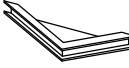



## PART LIST

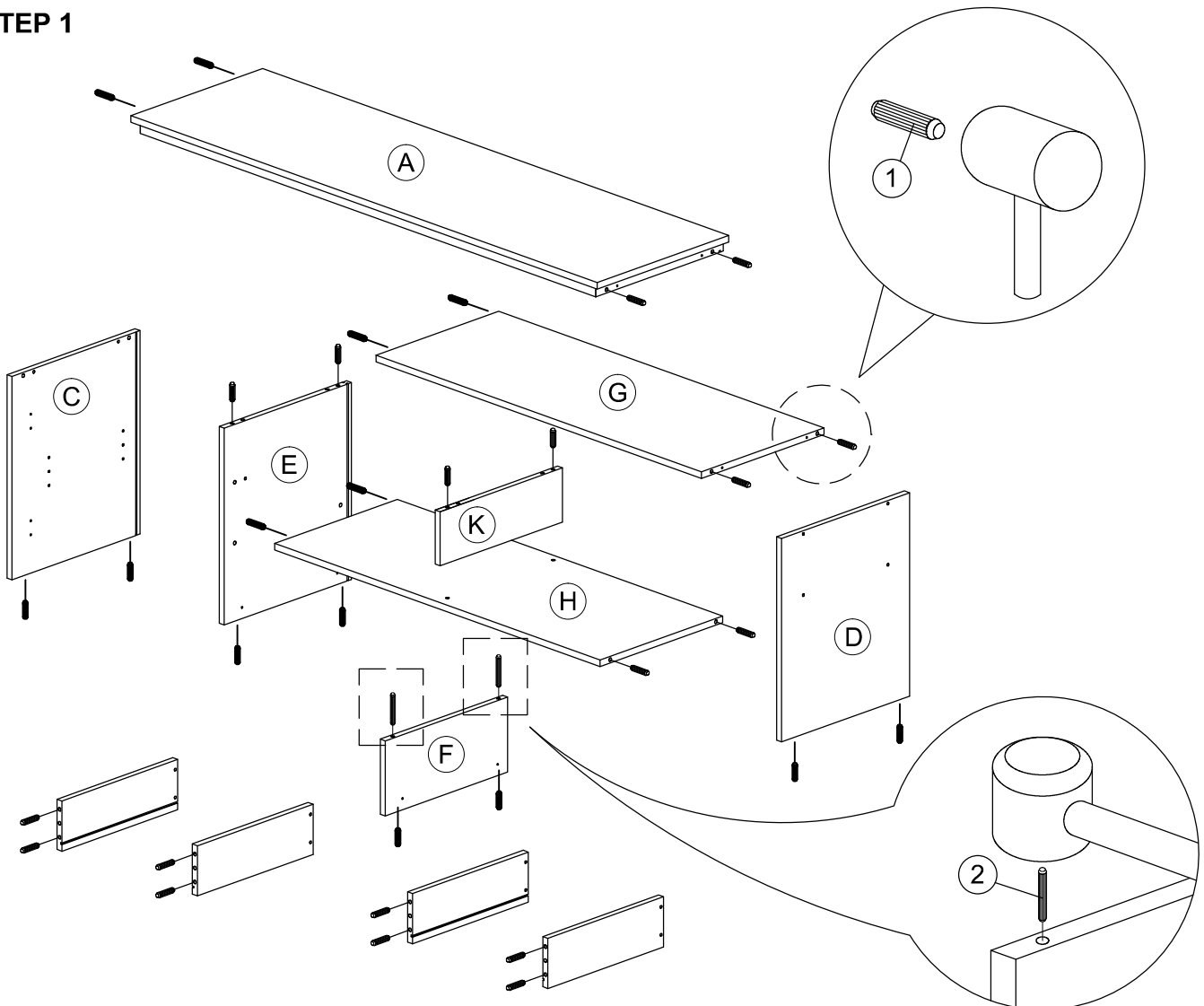


# Assembly Instruction

<i>Hardware List</i>			
No.	SHAPE	DESCRIPTION	Qty.
1		<b>8x25mm Wood Dowel</b>	32Pcs
2		<b>8x50mm Wood Dowel</b>	2Pcs
3		<b>15MM Myfix Minifix</b>	10Sets
4		<b>M3.5x15mm Screw</b>	41Pcs
5		<b>M5x8mm Screw (Euro Screw)</b>	8Pcs
6		<b>TP 10#x1/2" Screw</b>	8Pcs
7		<b>M4x38mm Screw</b>	10Pcs
8		<b>M5x38mm Screw</b>	16Pcs
9		<b>15mm Minifix Cap</b>	6Pcs
10		<b>Screw Cap</b>	6Pcs

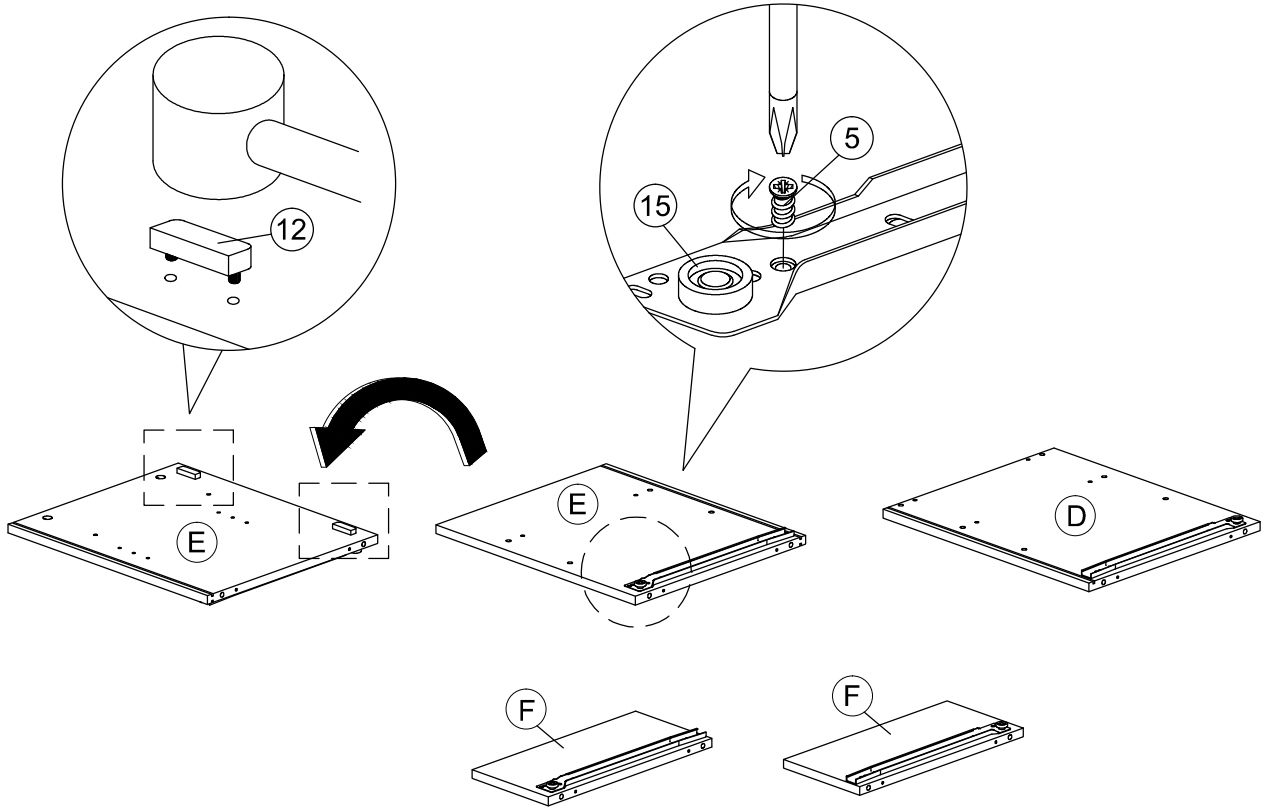
11		<b>Shelf Support</b>	4Pcs
12		<b>2 Pin Stopper</b>	2Pcs
13		<b>Nail</b>	14Pcs
14		<b>Hinges (F010)</b>	2Sets
15		<b>Metal Drawer Slide 14" (350mm)</b>	2 Sets
16		<b>OS-V Handle</b>	3 Pcs
17		<b>OS-140mm H - Plastic Leg</b>	6 Pcs

## STEP 1

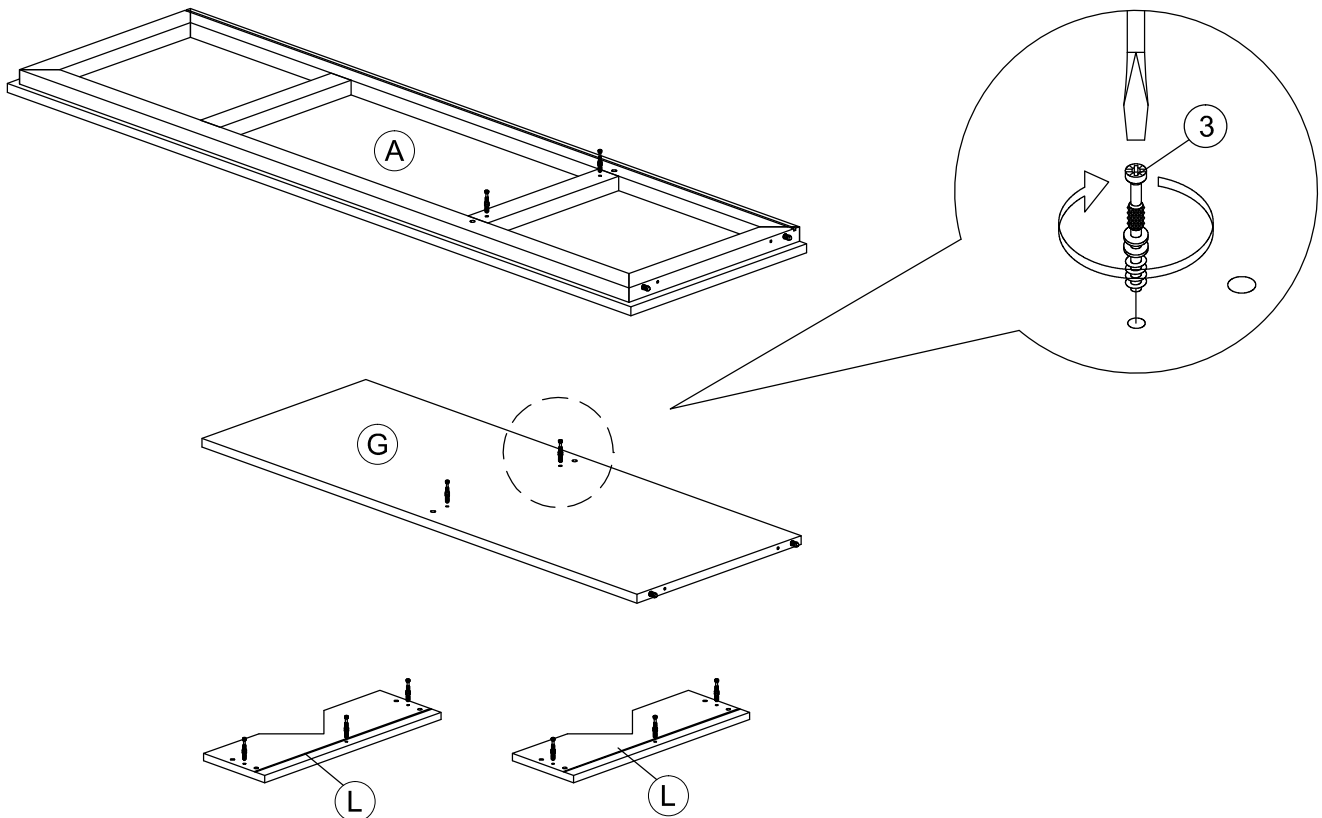


# Assembly Instruction

## STEP 2

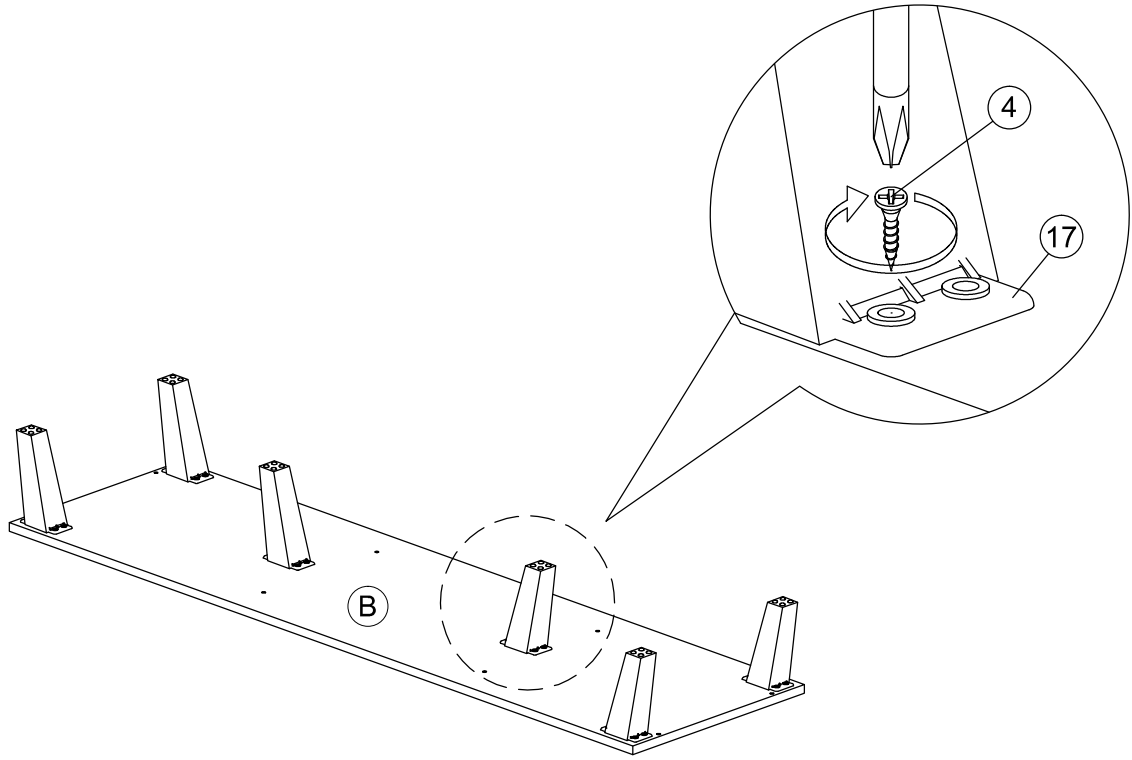


## STEP 3

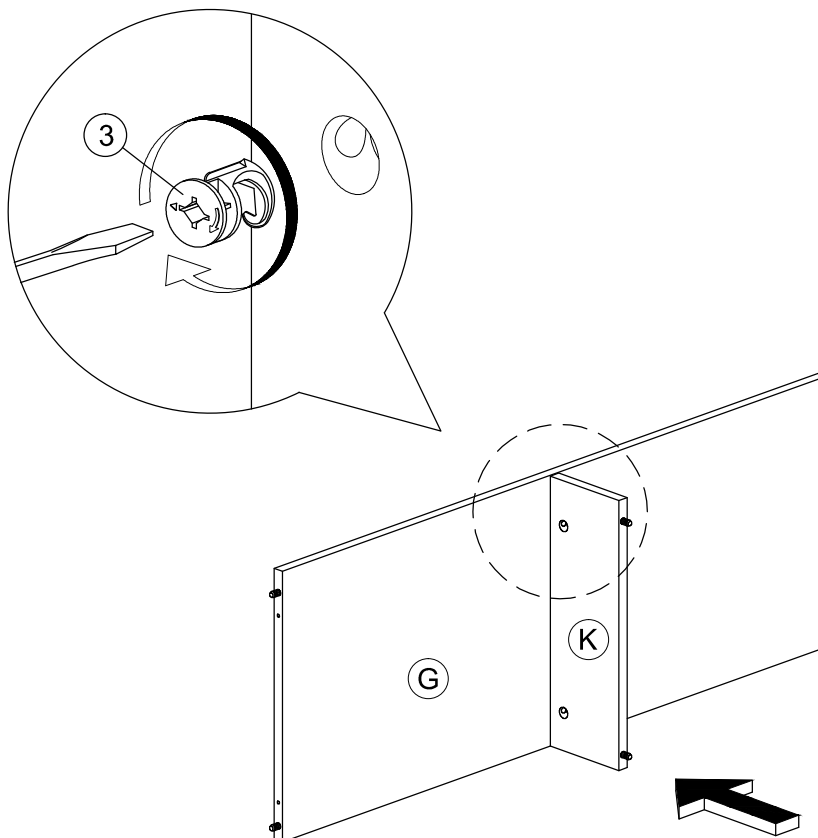


# Assembly Instruction

## STEP 4

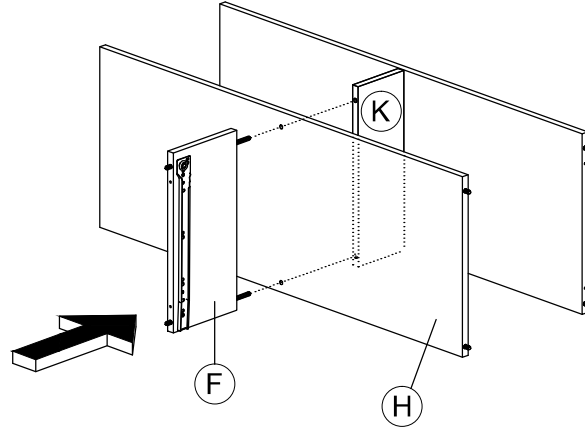


## STEP 5

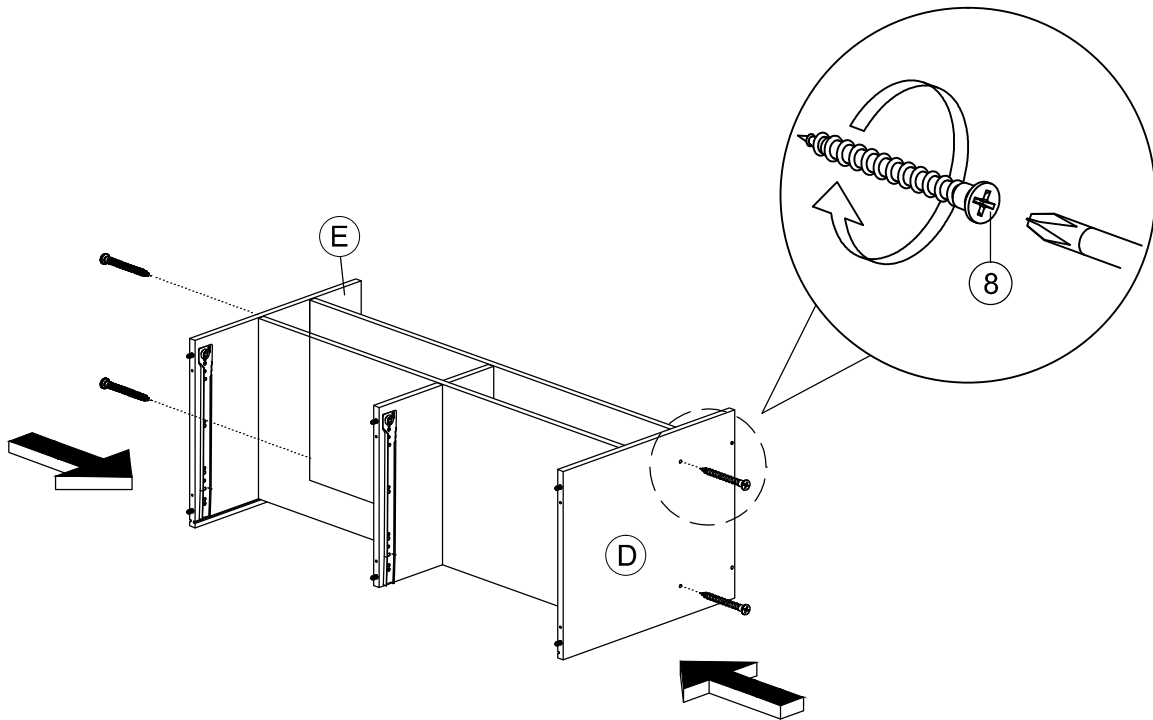


# Assembly Instruction

## STEP 6

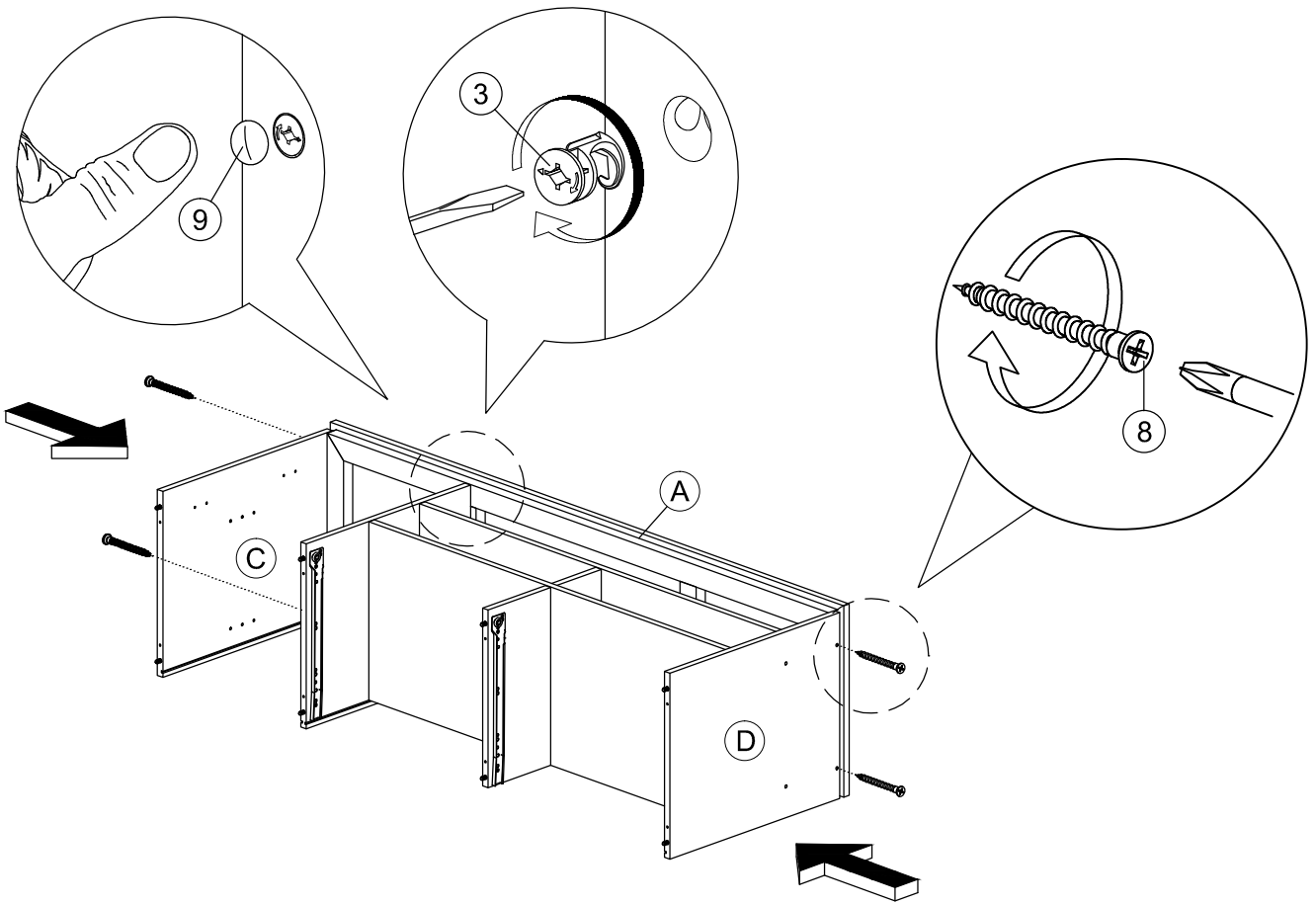


## STEP 7

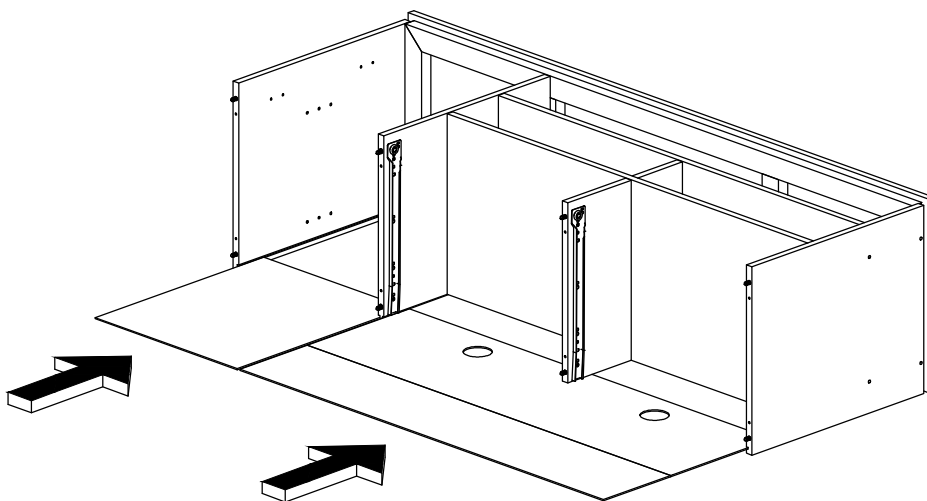


# Assembly Instruction

## STEP 8

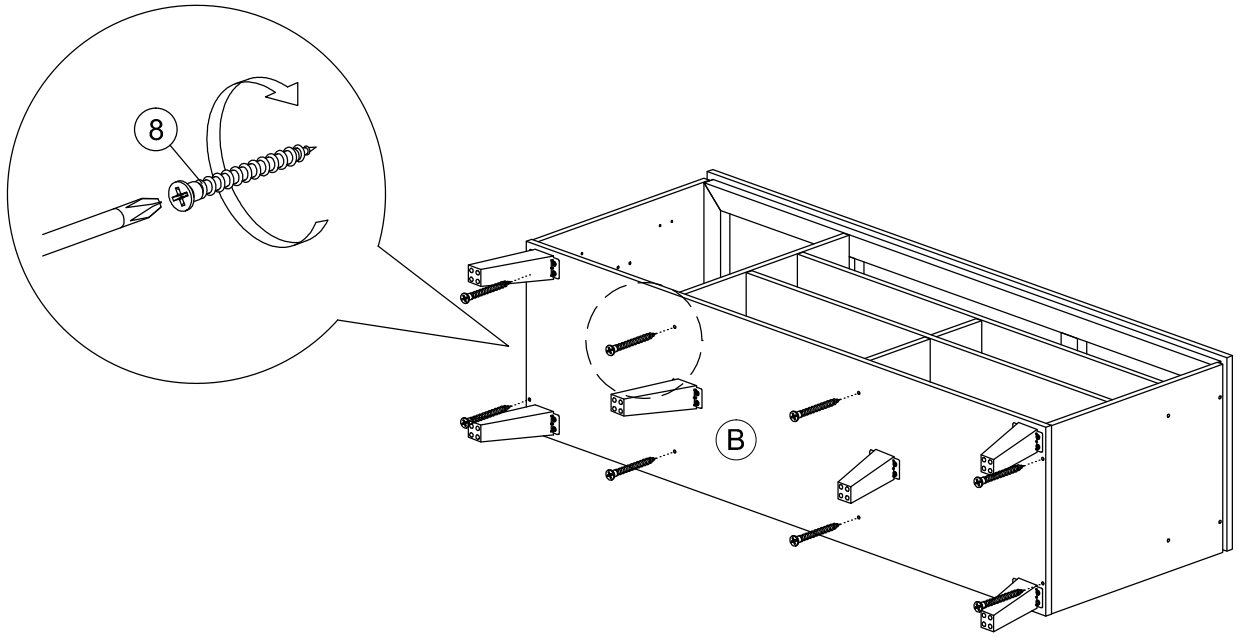


## STEP 9

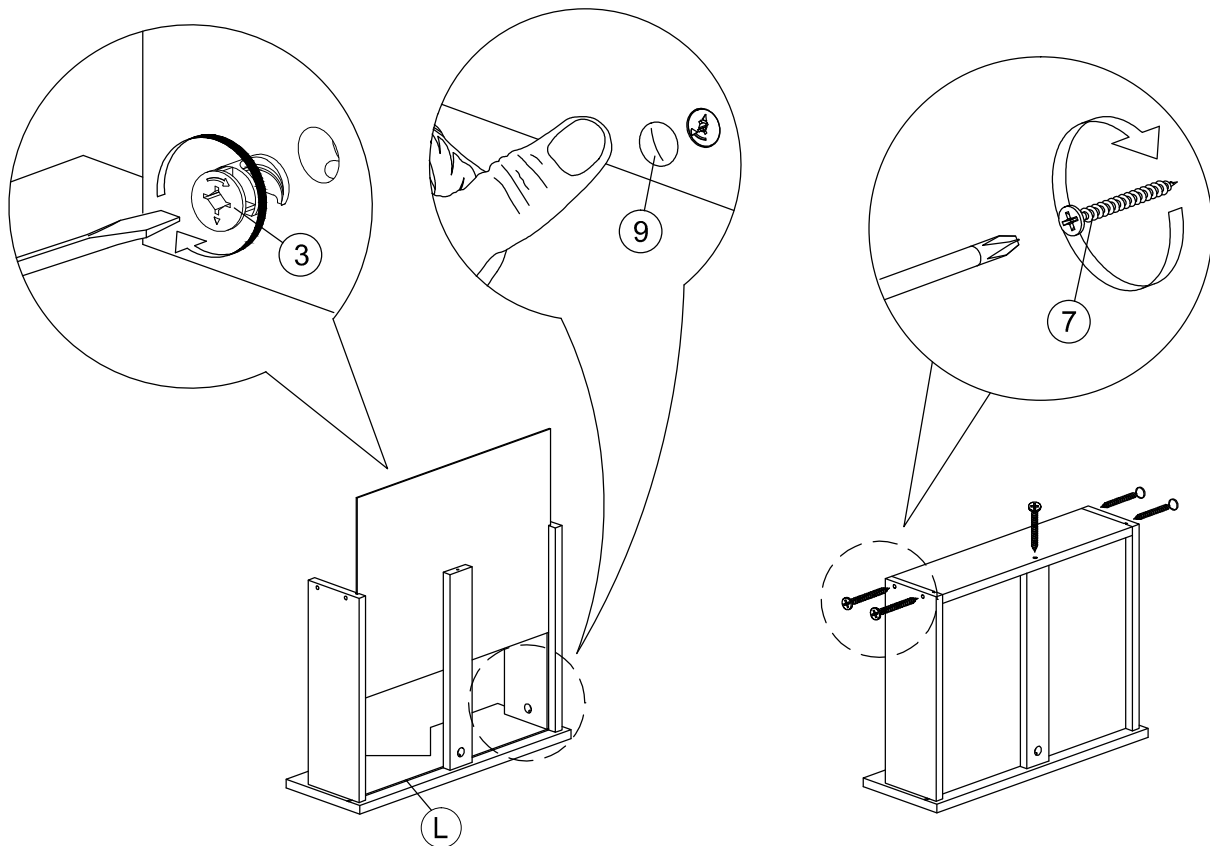


# Assembly Instruction

## STEP 10

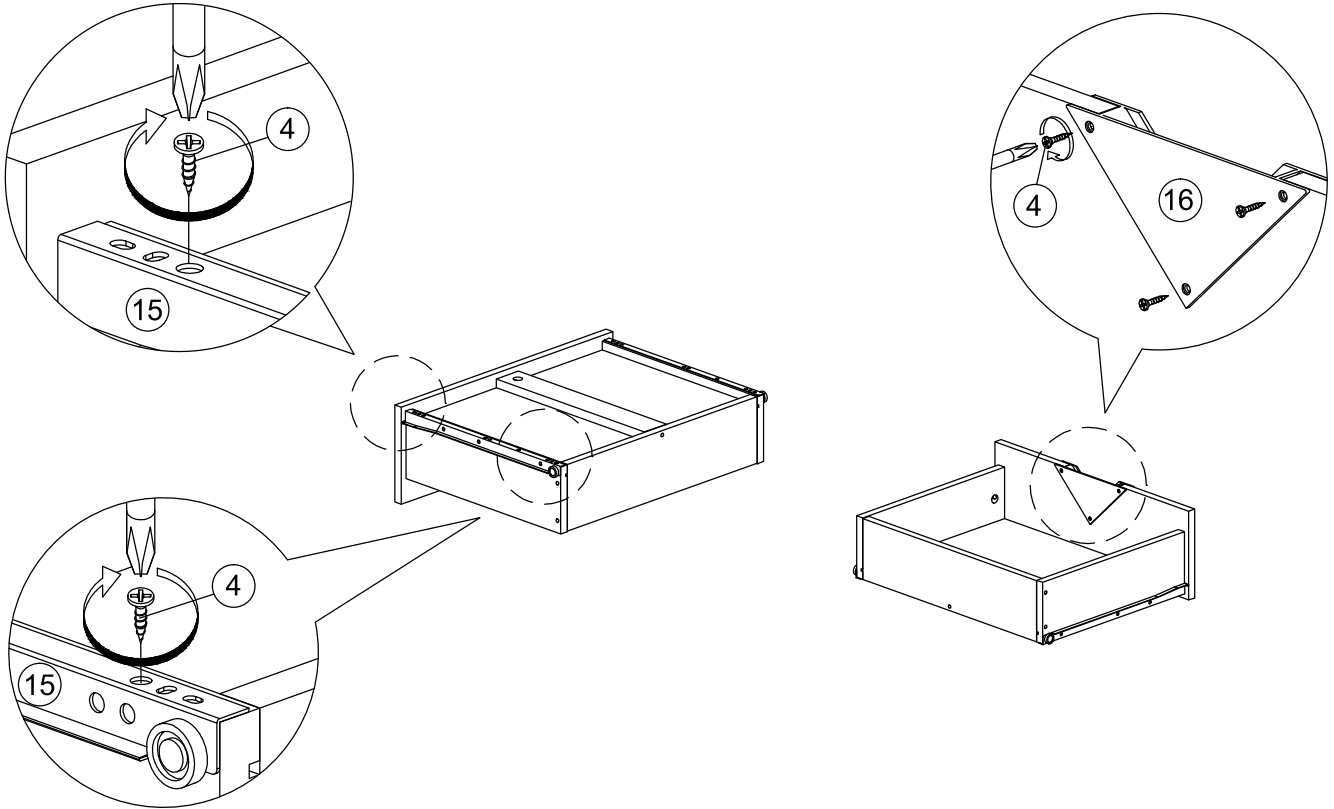


## STEP 11

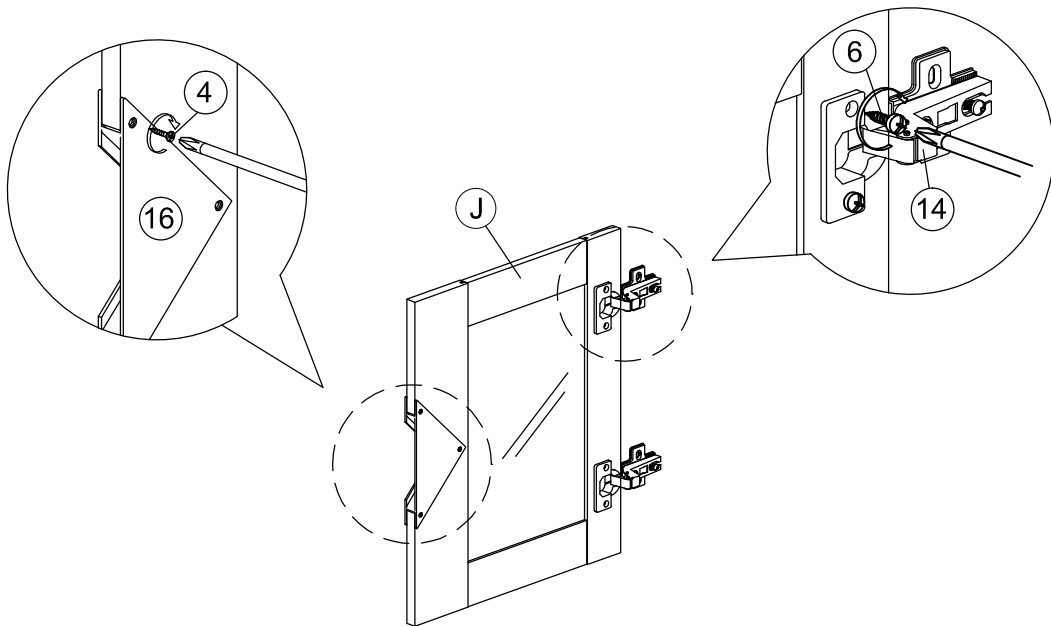


# Assembly Instruction

## STEP 12

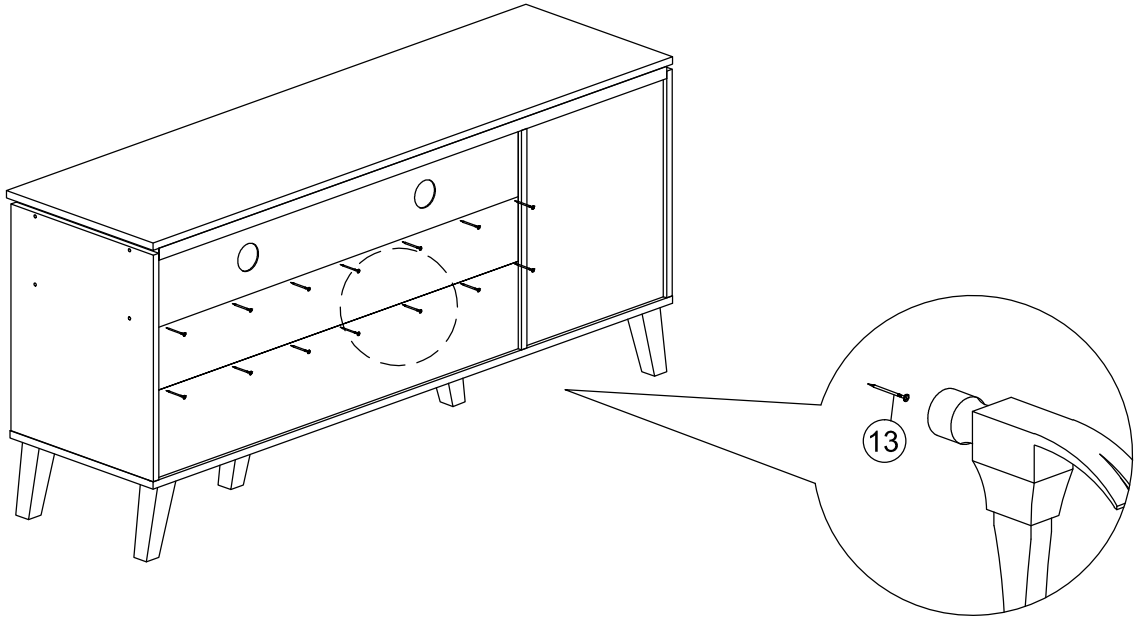


## STEP 13



# Assembly Instruction

## STEP 14



## STEP 15

