

ASSEMBLY INSTRUCTIONS

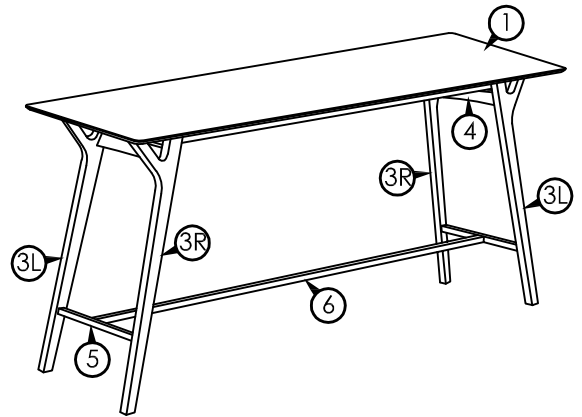
MODEL : WM5004A-CST

IMPORTANT NOTE :

- * PLACE ALL WOODEN PARTS ON A CLEAN AND SMOOTH SURFACE SUCH AS A RUG OR CARPET TO AVOID THE PARTS FROM BEING SCRATCHED.
- * BEFORE YOU BEGIN, KINDLY FOLLOW THE ASSEMBLY INSTRUCTIONS STEP BY STEP.

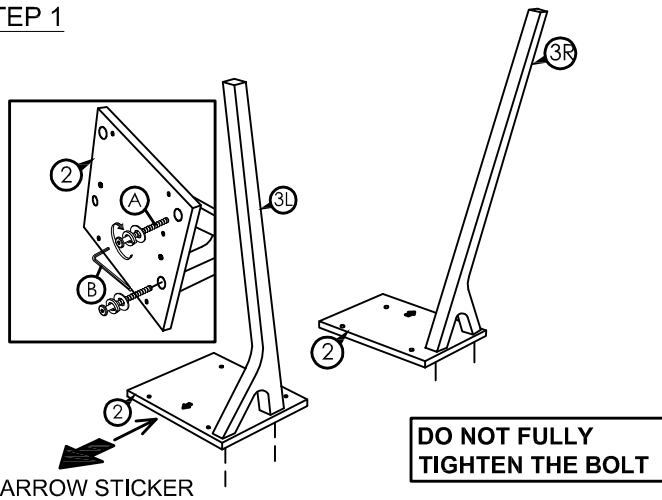
HARDWARE LIST		
A	JCBB M8 x 30mm + S/W 5/16" + F/W 5/16" x 22mm	8PCS
B	ALLEN KEY M5	1PC
C	JCBC M6 x 35mm + S/W M6 + F/W M6 x 19mm	8PCS
D	JCBC M6 x 40mm + S/W M6 + F/W M6 x 13mm	2PCS
E	ALLEN KEY M4 (BALL SHAPE)	1PC
F	PH CB SCREW M4 x 38mm	8PCS
G	WOOD DOWEL M8 x 25mm	4PCS
H	PROTECTIVE DISC 22MM	4PCS

PART LIST		
1	TABLE TOP	1PC
2	TOP SUPPORT	2PCS
3	TABLE LEG R/L	4PCS
4	STRETCHER	2PCS
5	H RAIL	2PCS
6	LEG SUPPORT	1PC

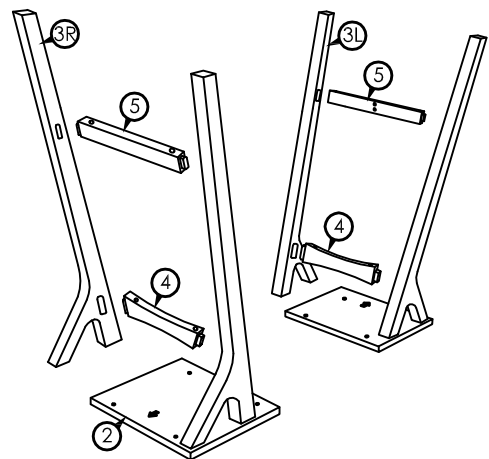


COMPLETED CONSOLE TABLE ASSEMBLY.

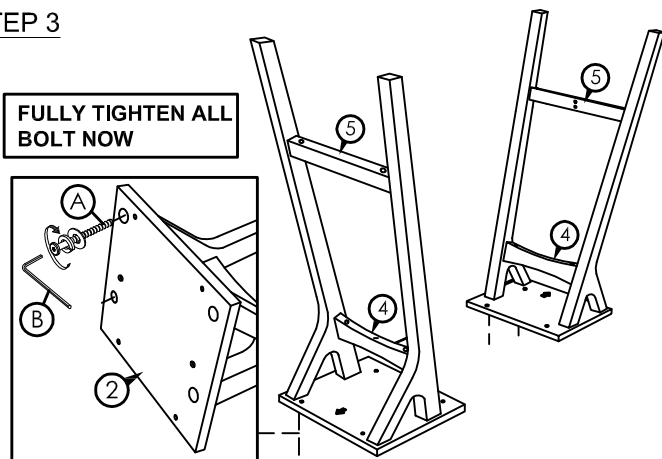
STEP 1



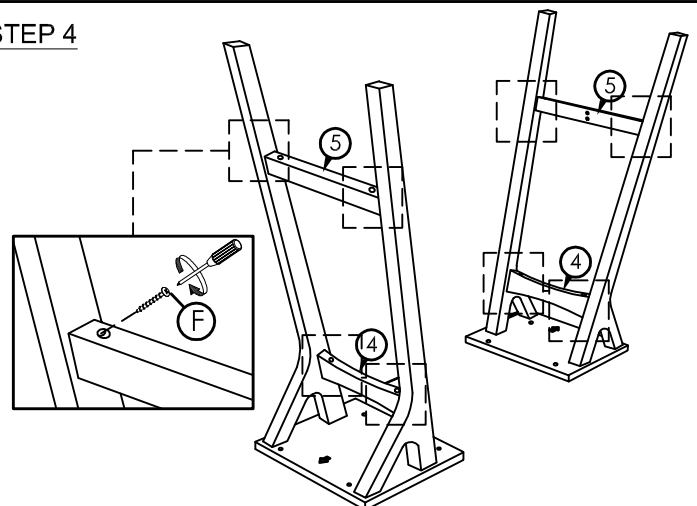
STEP 2



STEP 3



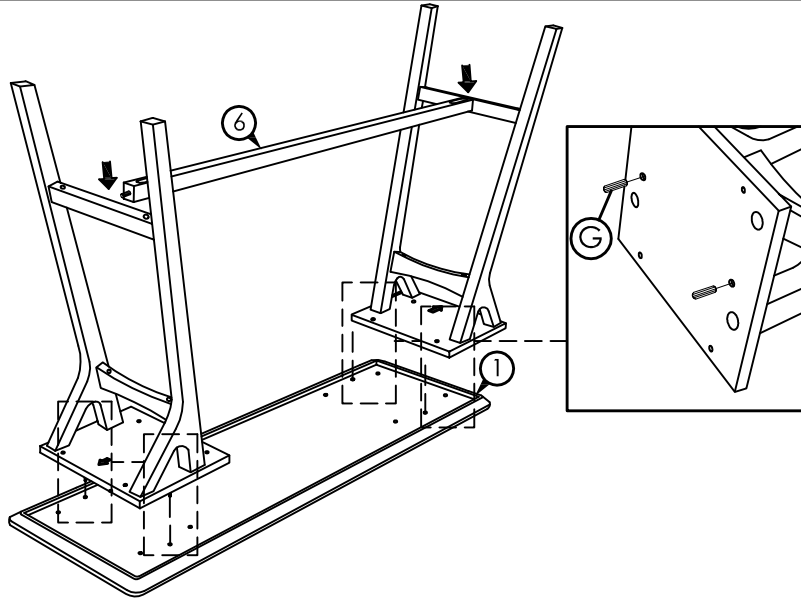
STEP 4



ASSEMBLY INSTRUCTIONS

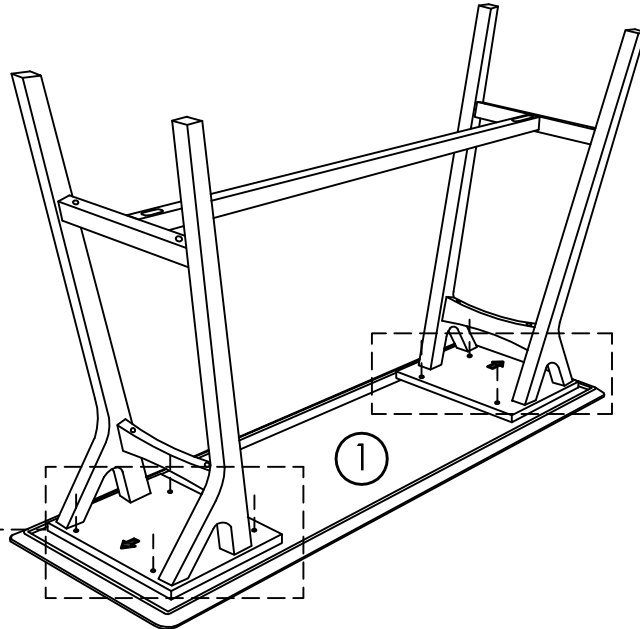
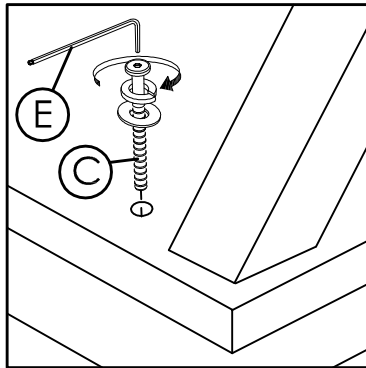
MODEL : WM5004A-CST

STEP 5

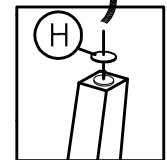
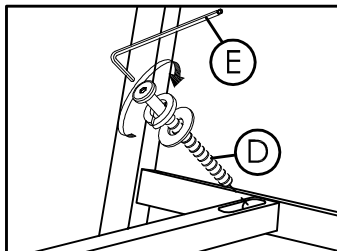


STEP 6

**DO NOT FULLY
TIGHTEN THE BOLT**



STEP 7



**FULLY TIGHTEN ALL
BOLTS & SCREWS**