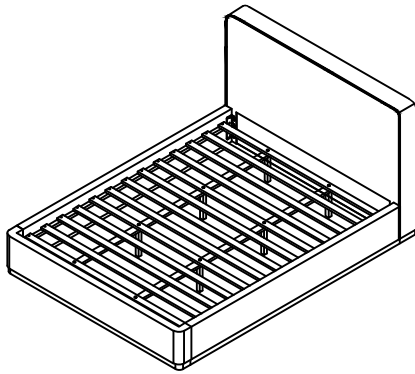


ASSEMBLY INSTRUCTION

Rava-King



+ Do Not Use Power Tools



+ Suggested Adults



NOTE: For questions about parts or assembly please email support@meridianfurnitureusa.com or call us at 718-758-4455.

- 1 Read instructions cover to cover.
- 2 Save all packaging until assembly is completed

1 IMPORTANT SAFETY INFORMATION

Do not assemble the product if any of the following parts arrived damaged:

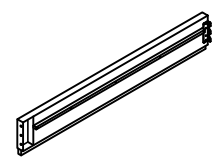
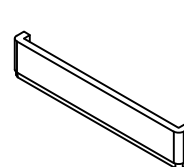
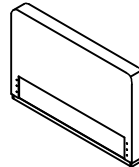
- Part # - Side Rails
- Part # - Center Rail
- Part # - Support Legs
- Part # - Slats

2 IMPORTANT ASSEMBLY INFORMATION

Assembly Step Ensure the side rail bracket is fully hooked onto bolt loosely threaded with both washers on the OUTSIDE of the bracket first, then proceed to fully tightening all 4 comers.

+ Parts Included

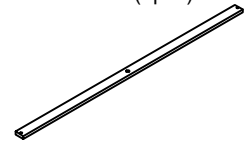
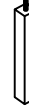
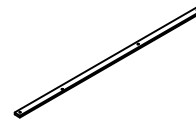
- ① Headboard (1pc) ② Footboard (1pc) ③ Side rail Left / Right (2pcs)



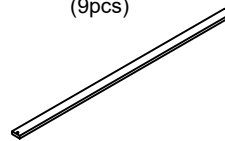
- ④ Center Rail (2pcs)

- ⑤ Support Leg (8pcs)

- ⑥ Slats (4pcs)



- ⑦ Slats (9pcs)



+ Hardware Included

- | | | | |
|--------------------|--------------------|-----------------|-----------------|
| A Bolt | B Bolt | C Spring Washer | D Spring Washer |
| 5/16 x 60mm (4pcs) | 5/16 x 40mm (6pcs) | (10pcs) | (10pcs) |



- E Allen key
M5 x 70mm (1pc)



- F Screw
M4x30mm (26pcs)



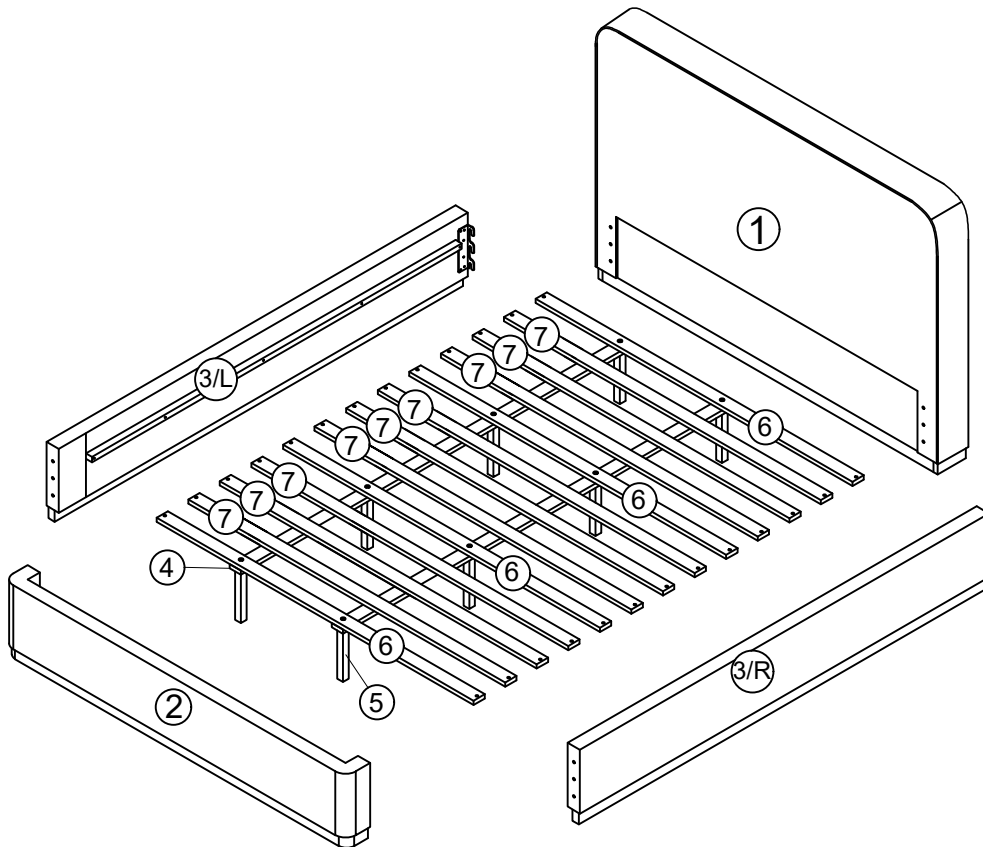
- G Wood dowel
Ø10x30mm (2pcs)



ASSEMBLY INSTRUCTION

meridian.
furniture

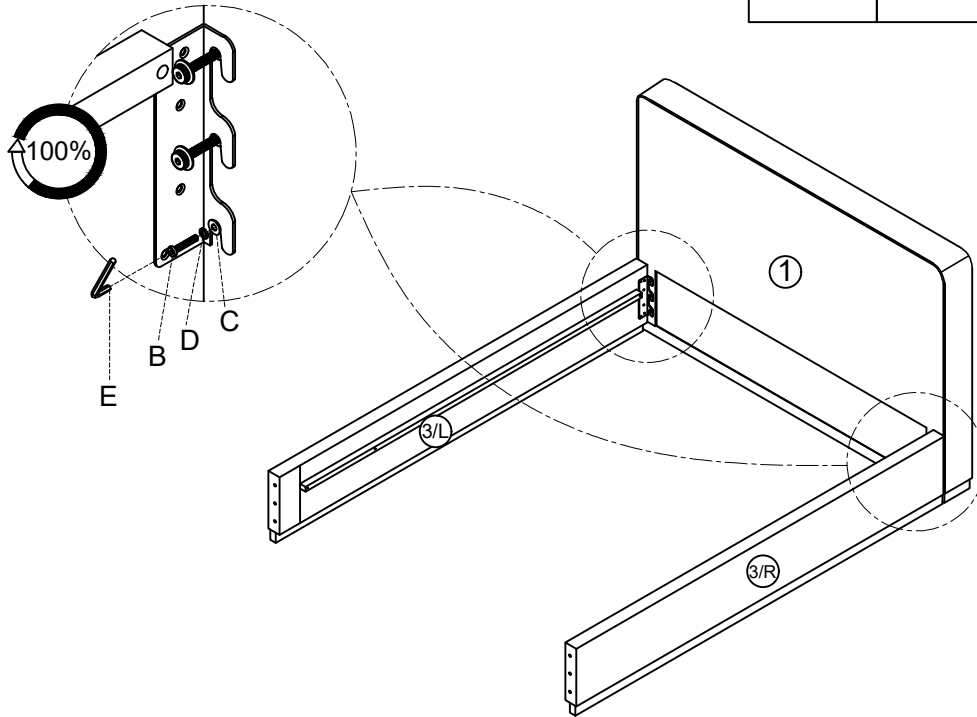
Rava-King



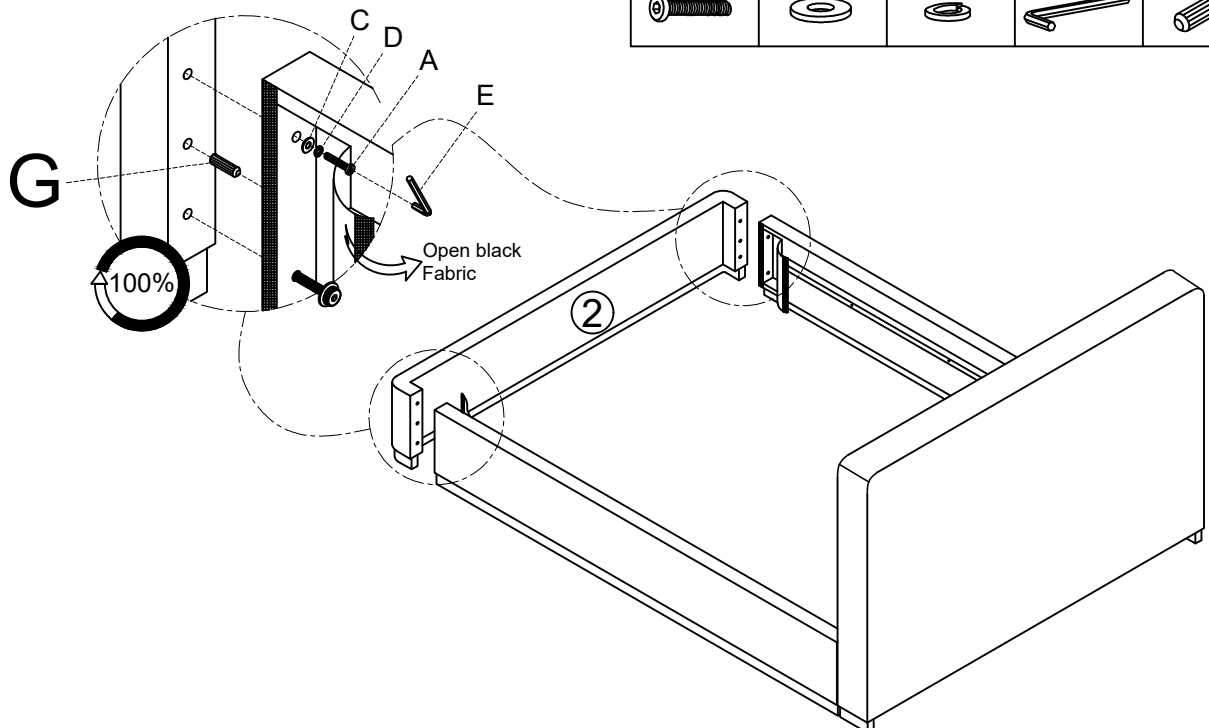
ASSEMBLY INSTRUCTION

Rava-King

Step 1



Step 2

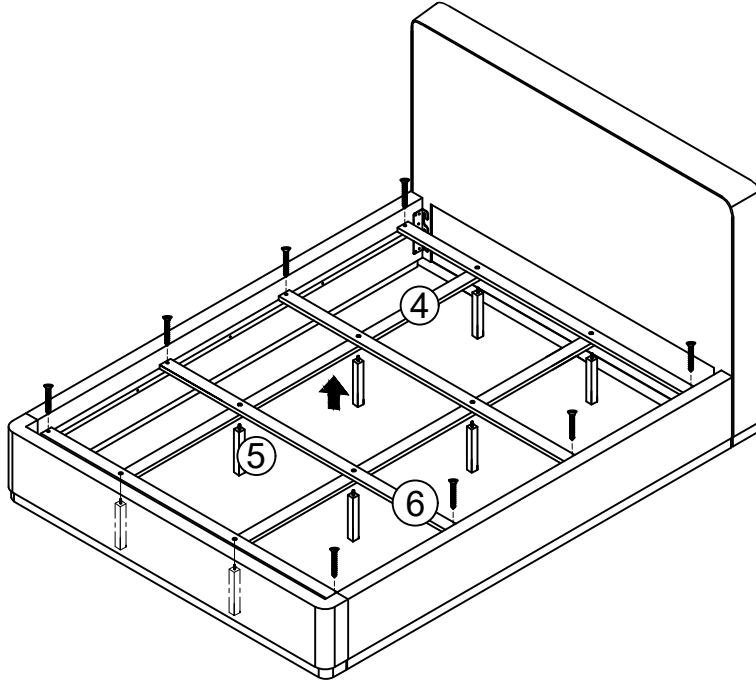


ASSEMBLY INSTRUCTION

Rava-King

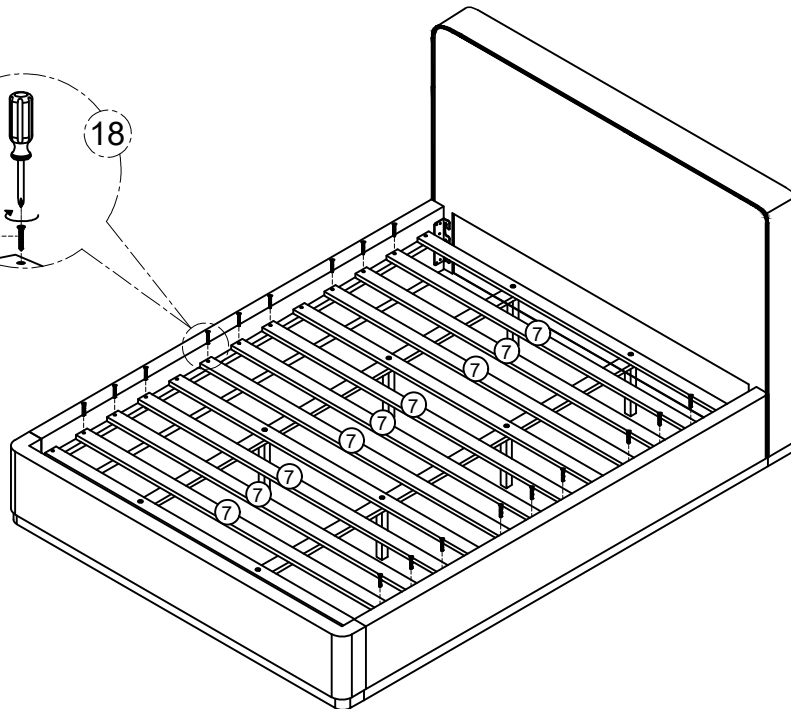
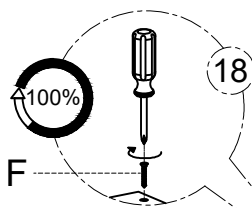
Step 3

F x 8



Step 4

F x 18



ASSEMBLY INSTRUCTION

meridian.
furniture

Rava-King

Finish

