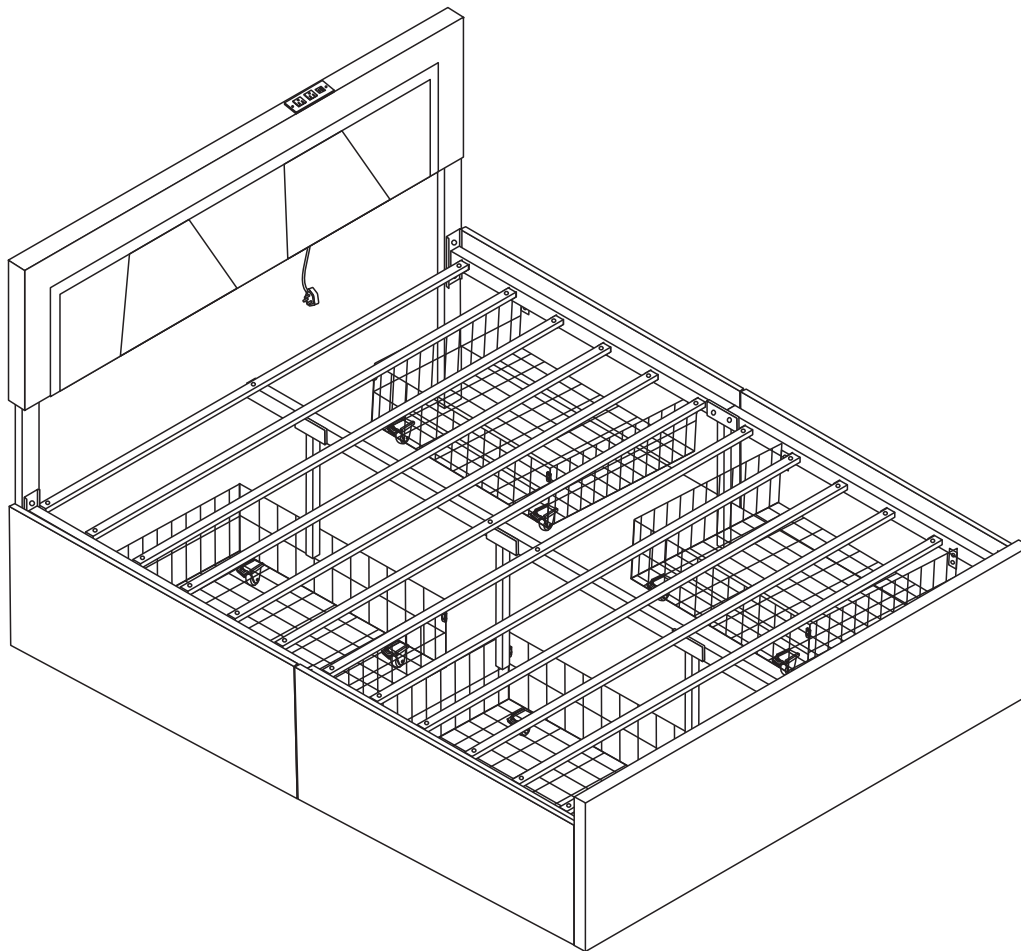


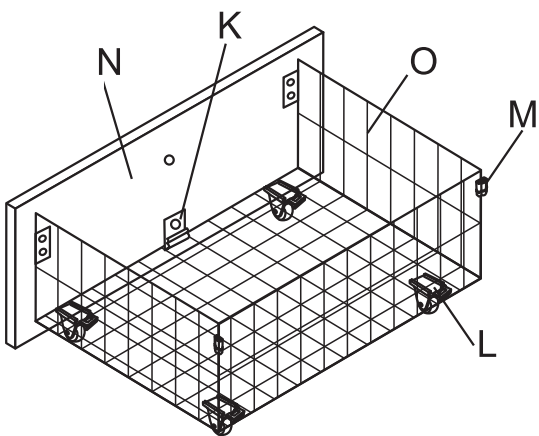
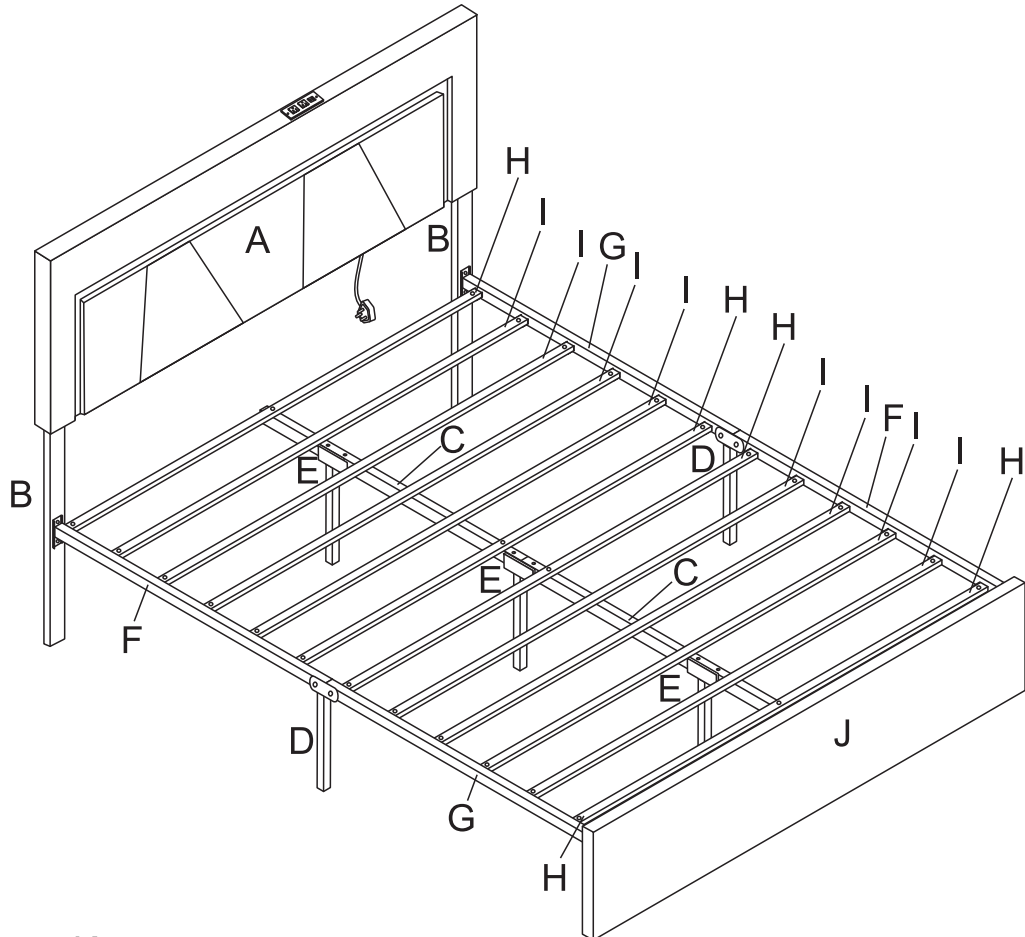
# Bed Frame with Storage Headboard & Charging Station Assembly Instructions



## **Dear Customers,**

Thank you for purchasing our product. Please read this instruction manual carefully after receiving this product. It will help you assemble this product quickly, safely and correctly. You can keep this manual for future reference.

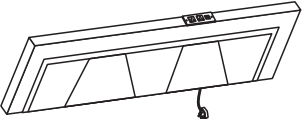
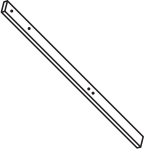
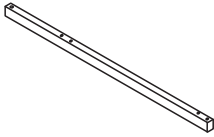

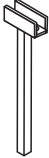
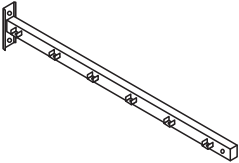
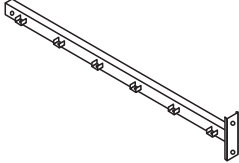
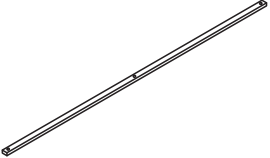

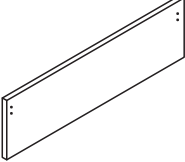

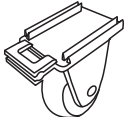

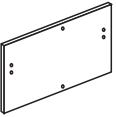
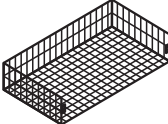







# ASSEMBLY INSTRUCTIONS



Notice: Do not tighten the screws too tightly at the beginning of the assembly. After each hole position is matched well, with gently force to screw, if there is no problem, then tighten all the screws.

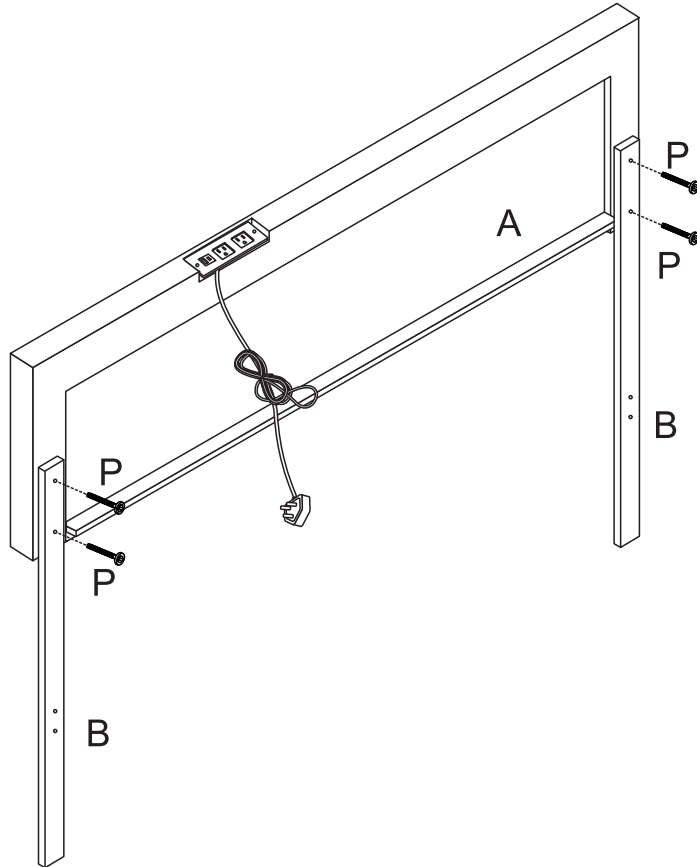
# ASSEMBLY INSTRUCTIONS

## PARTSLIST

<p>A x1PC</p> 	<p>B x2PCS</p> 	<p>C x2PCS</p> 	<p>D x2PCS</p> 	
<p>E x3PCS</p> 	<p>F x2PCS</p> 	<p>G x2PCS</p> 	<p>H x4PCS</p> 	
<p>I x8PCS</p> 	<p>J x1PC</p> 	<p>K x4PCS</p> 	<p>L x16PCS</p> 	
<p>M x8PCS</p> 	<p>N x4PCS</p> 	<p>O x4PCS</p> 		
<p>P x4PCS</p>  <p>M8x45</p>	<p>Q x4PCS</p>  <p>M8x30</p>	<p>R x8PCS</p>  <p>M8x20</p>	<p>S x6PCS</p>  <p>M6x35</p>	<p>T x28PCS</p>  <p>M6x25</p>
<p>U x24PCS</p>  <p>M6x13</p>	<p>V x1PCS</p> 			

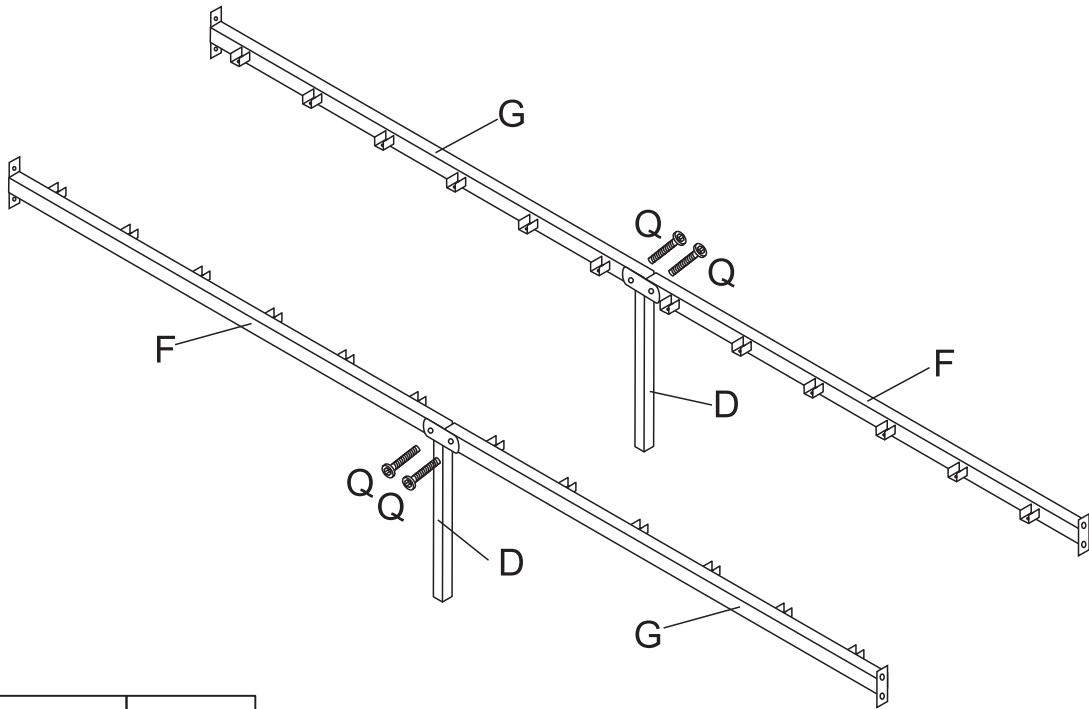
# ASSEMBLY INSTRUCTIONS


1



P		4PCS
M8x45mm		

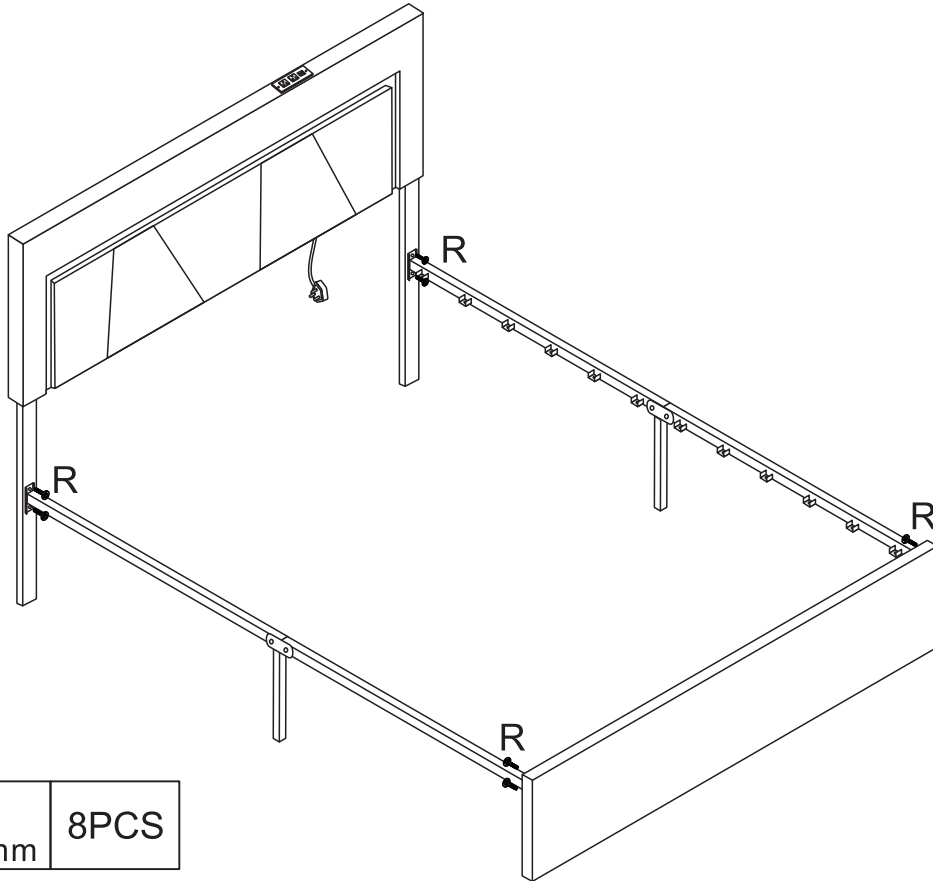
2



Q		4PCS
M8x30mm		

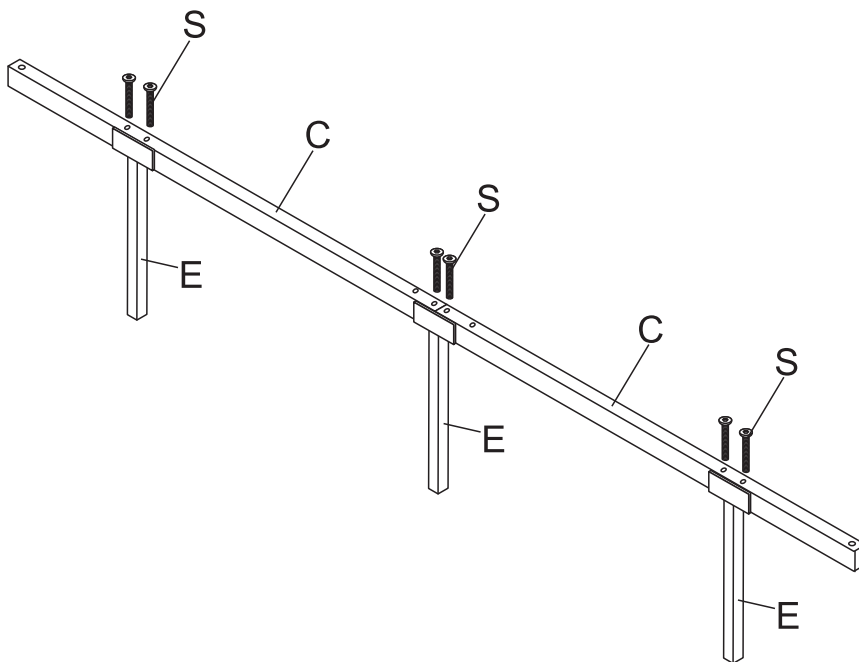
# ASSEMBLY INSTRUCTIONS

3



R		8PCS
M8x20mm		

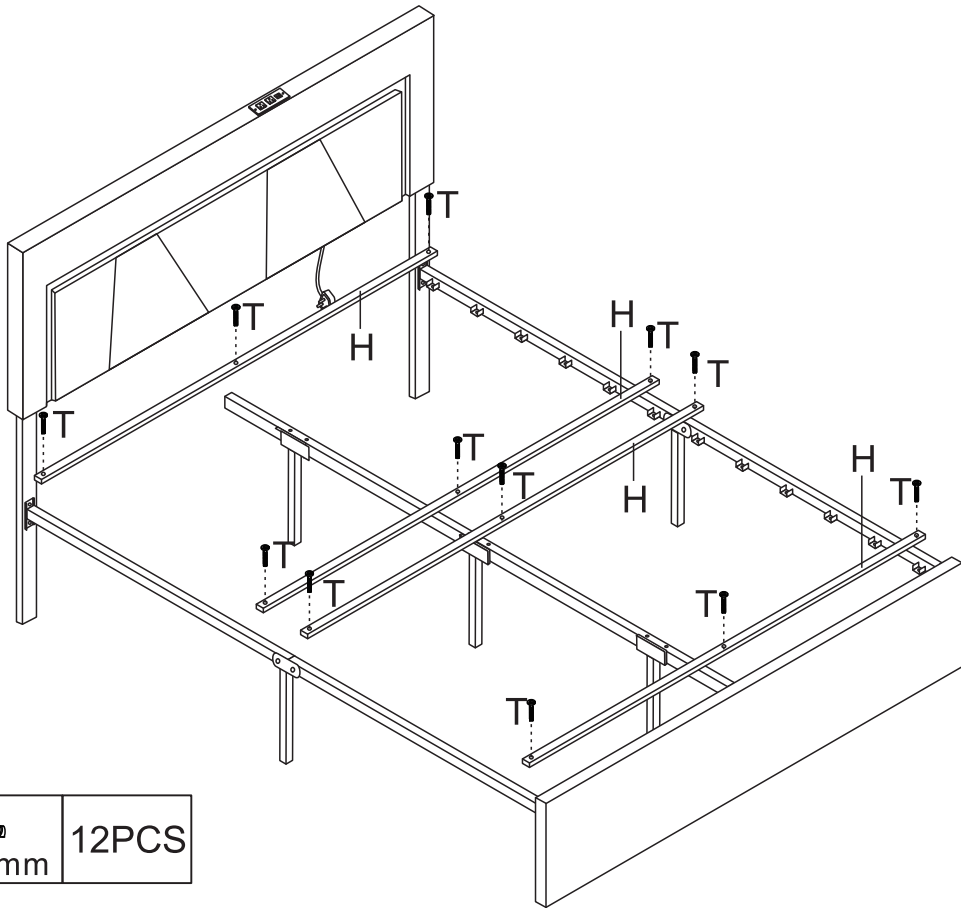
4




S		6PCS
M6x35mm		

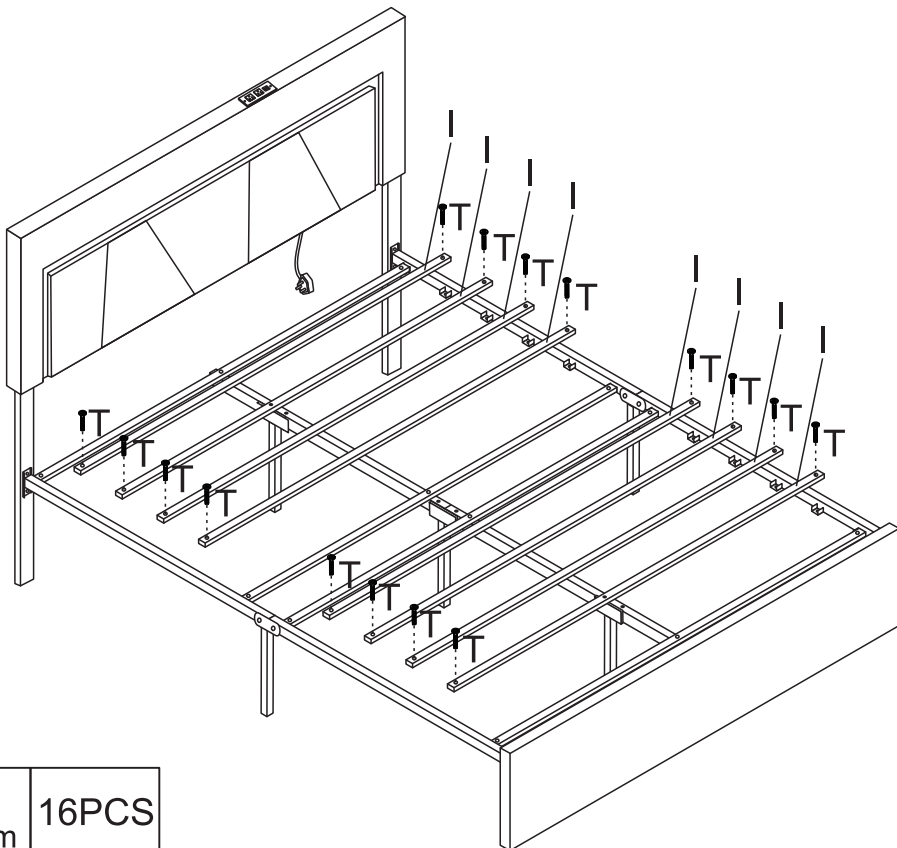
# ASSEMBLY INSTRUCTIONS


5



T		12PCS
M6x25mm		

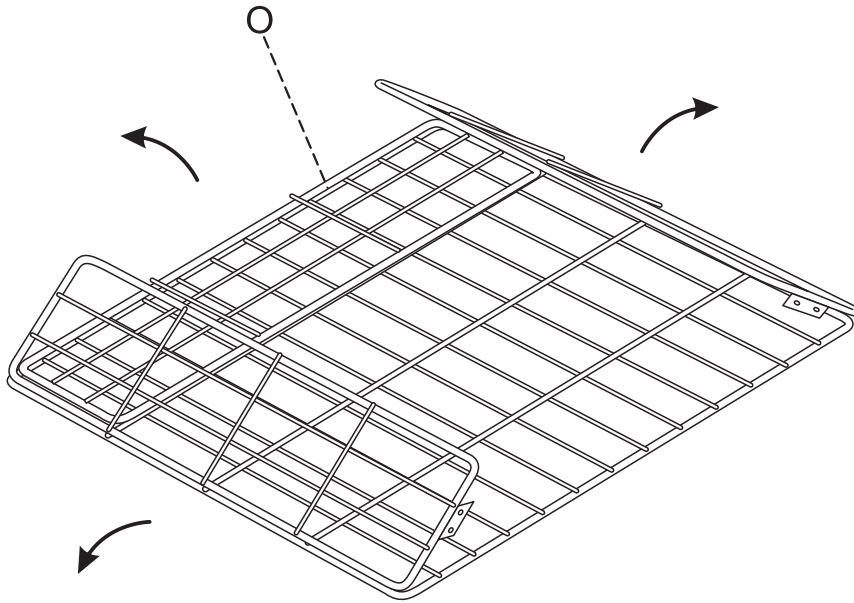
6



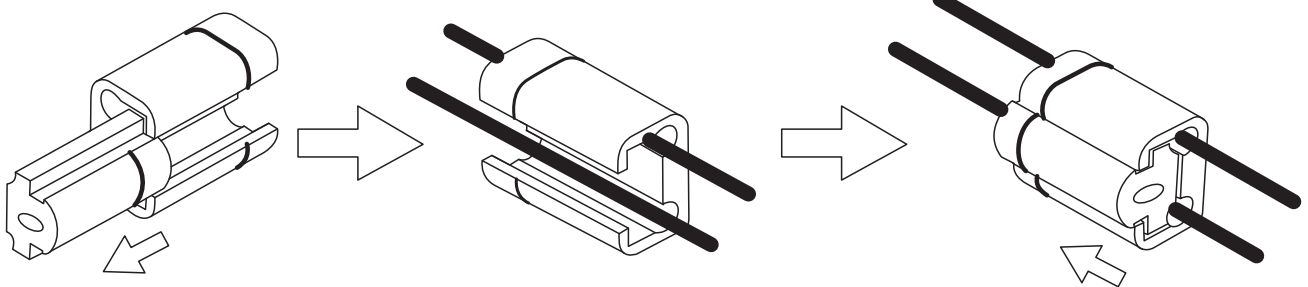
T		16PCS
M6x25mm		

# ASSEMBLY INSTRUCTIONS

7



8



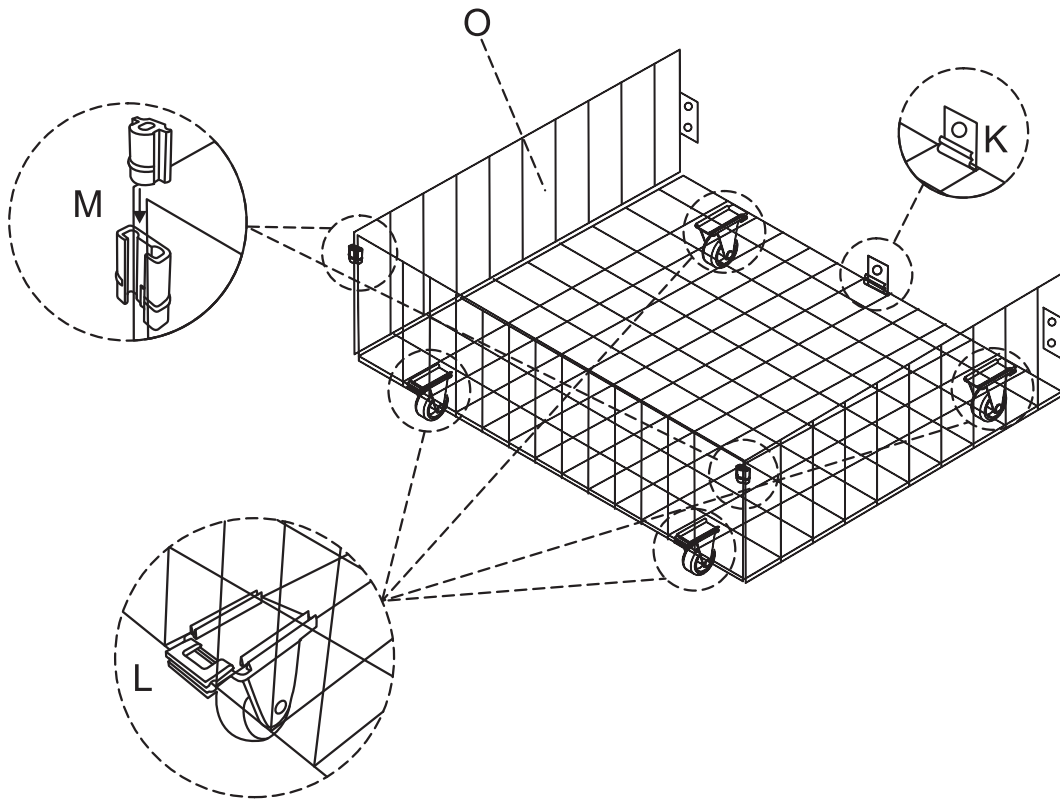
You can pull the buckle out by following the direction indicated by the arrow

Place round iron tube as shown for better drawer assembly

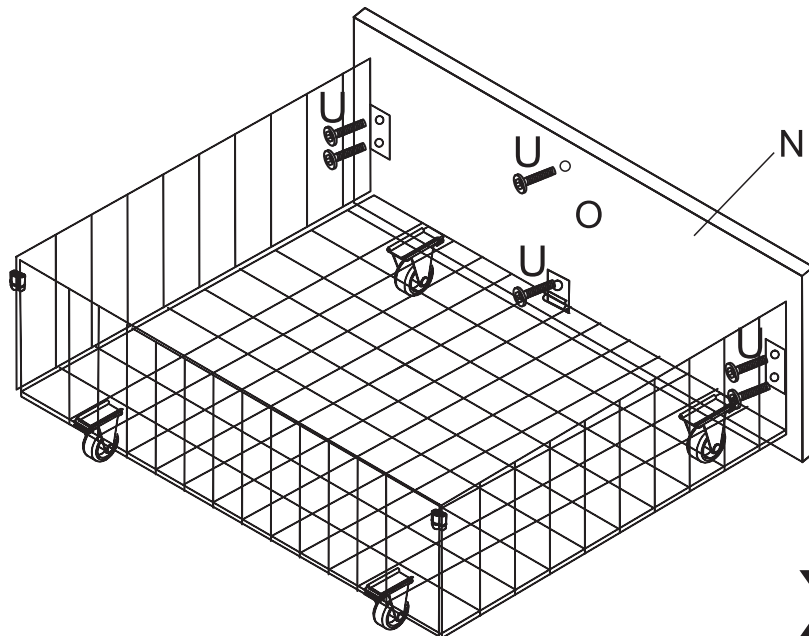
This is the only direction that can be locked.

# ASSEMBLY INSTRUCTIONS

9



10

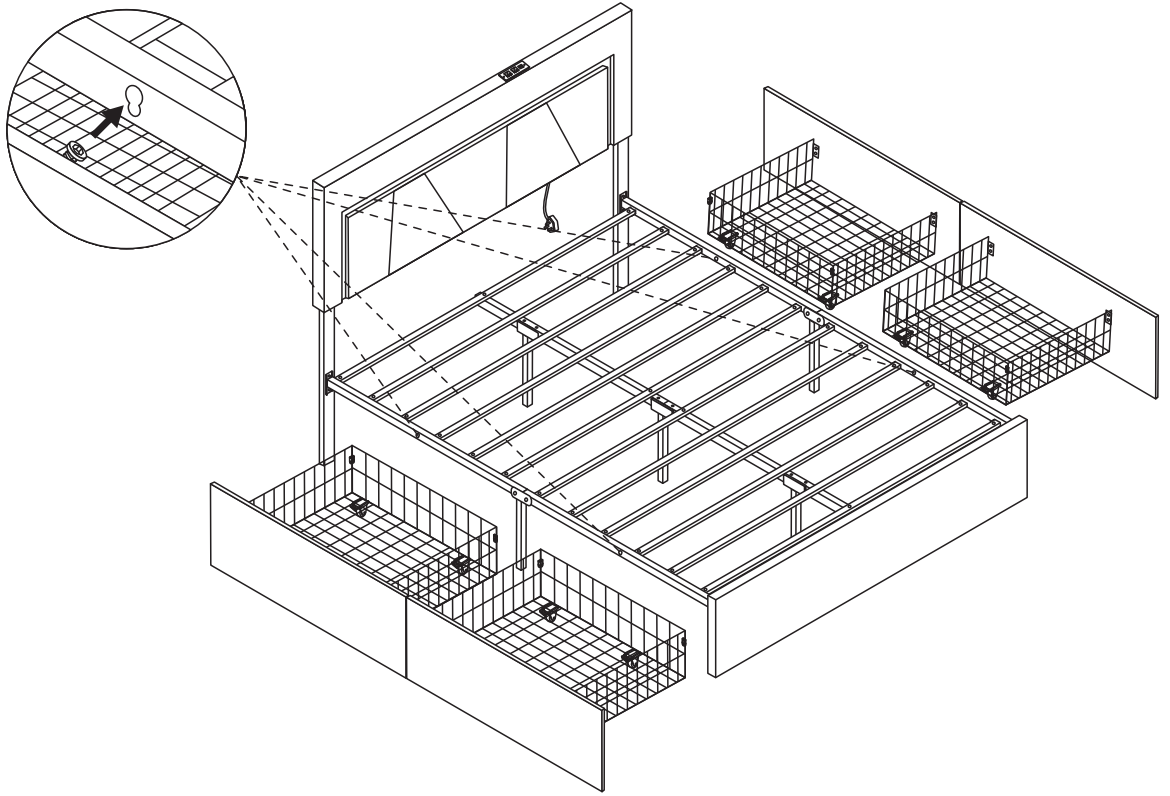


x4

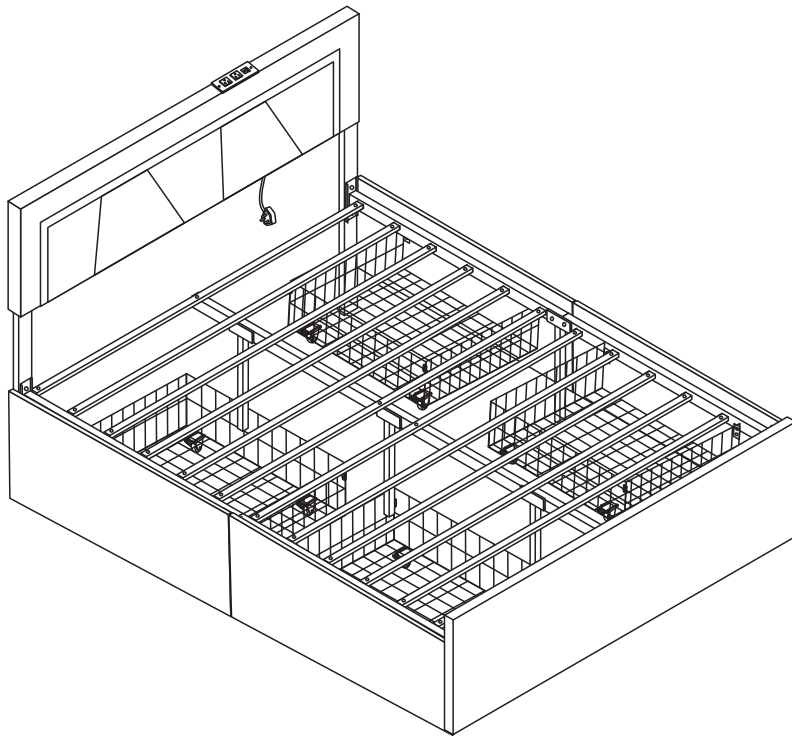
U	 M6x13mm	24PCS
---	---	-------

# ASSEMBLY INSTRUCTIONS

11



12



Installation