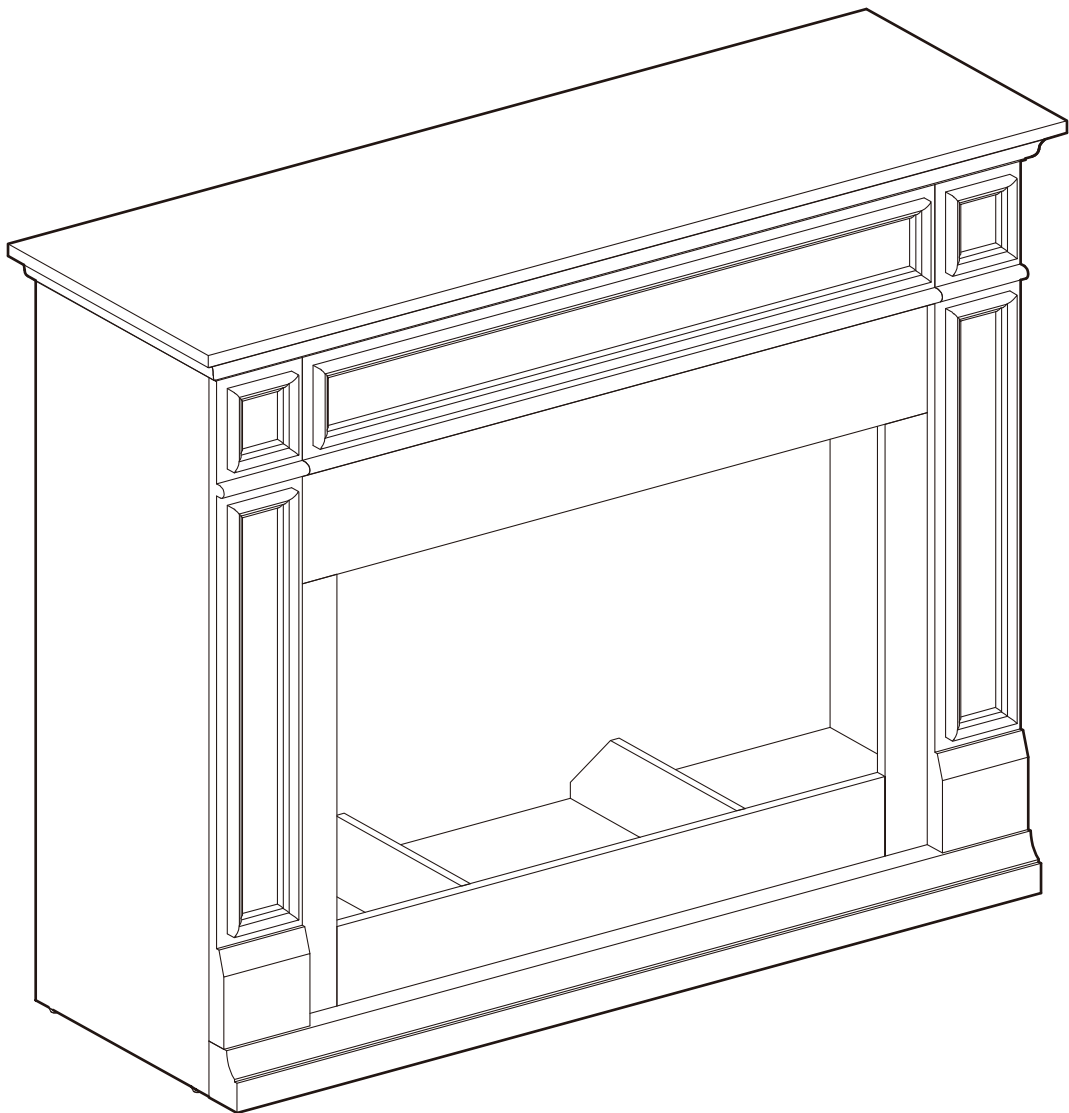
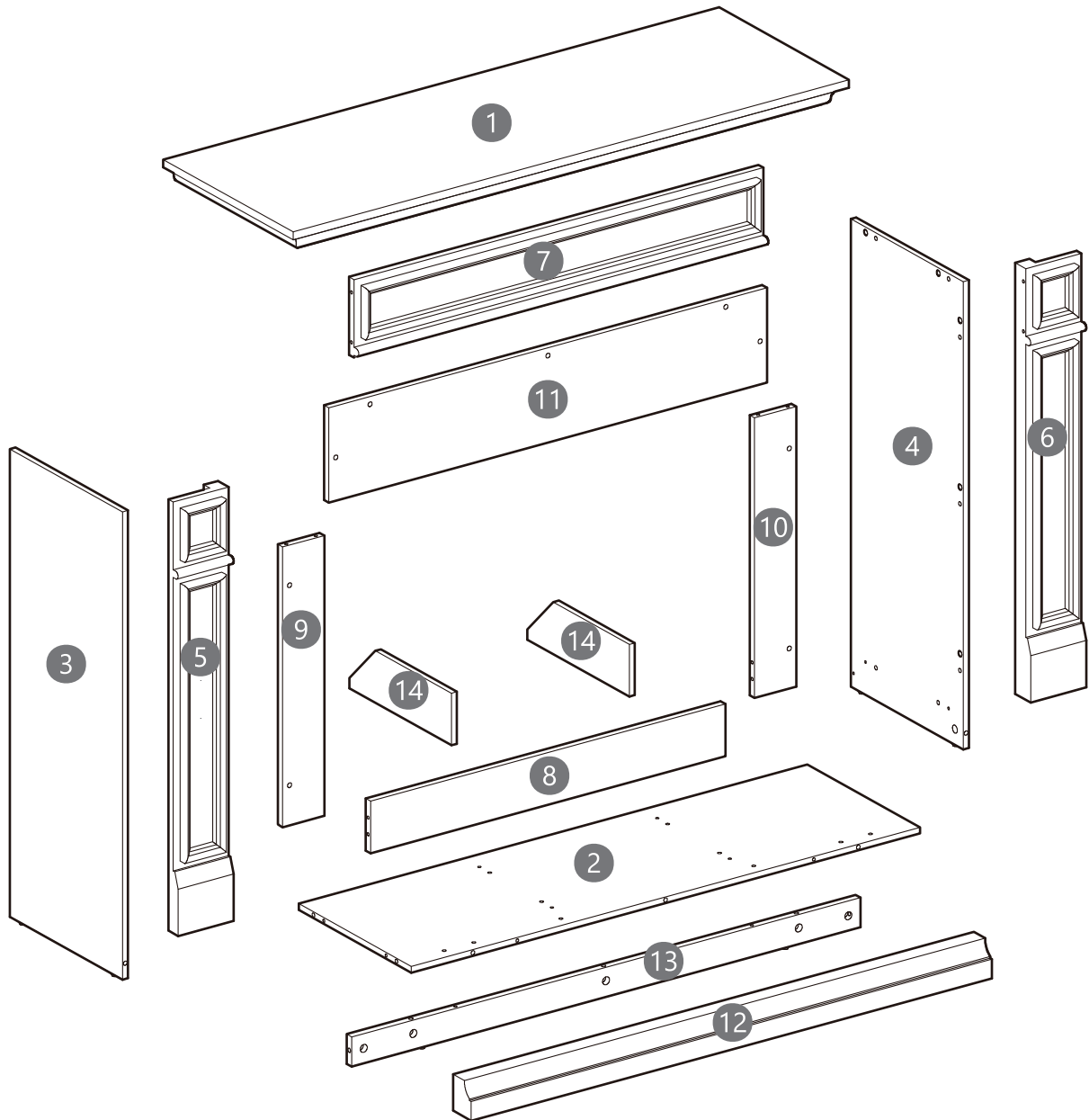


CUSTOMER MANUAL



ASSEMBLY STRUCTURE REFERENCE DIAGRAM



PARTS

A



X 18+2

B



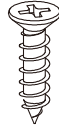
X 18+2

C



$\text{\O}6 \times 30\text{mm}$
X 30+2

D



$\text{\O}3 \times 12 \times 6\text{mm}$
X 16+1

E



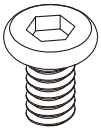
X 6

F



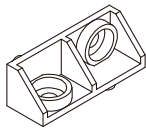
$\text{\O}3 \times 14\text{mm}$
X 2

G



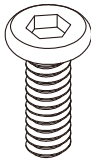
$\text{M6} \times 12\text{mm}$
X 24+2

H



X 12

I



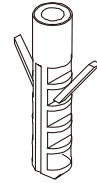
$\text{M6} \times 25\text{mm}$
X 9+1

M



X 2

N



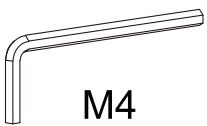
X 2

O



$\text{\O}4 \times 35\text{mm}$
X 2

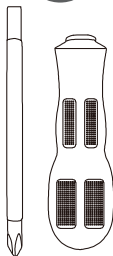
P



M4

X 1

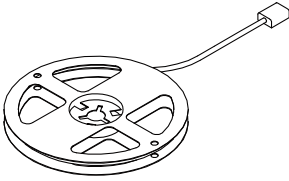
Q



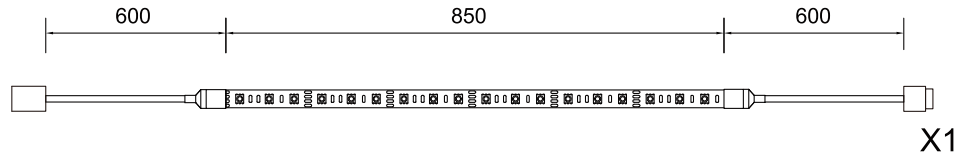
X 1

PARTS

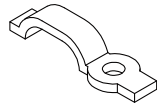
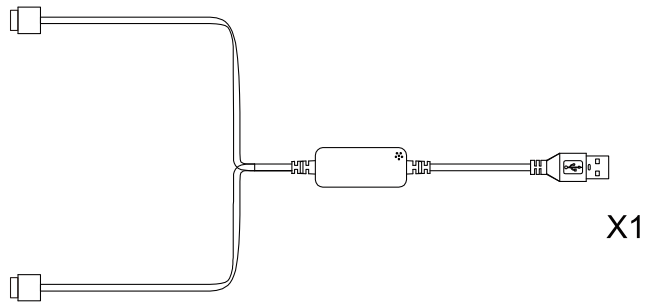
V



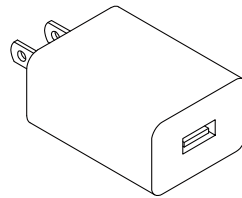
V1



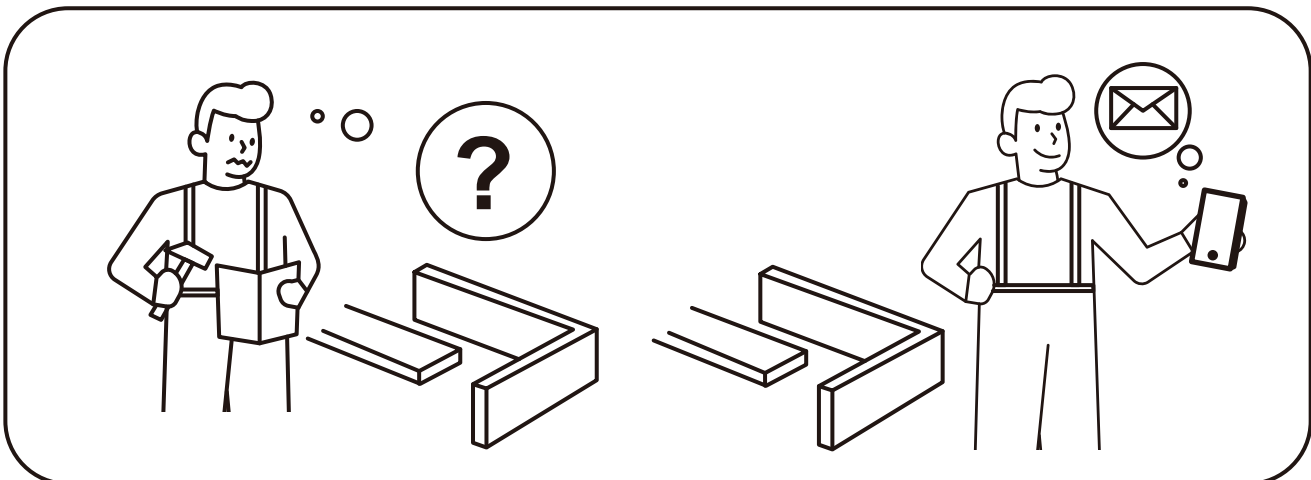
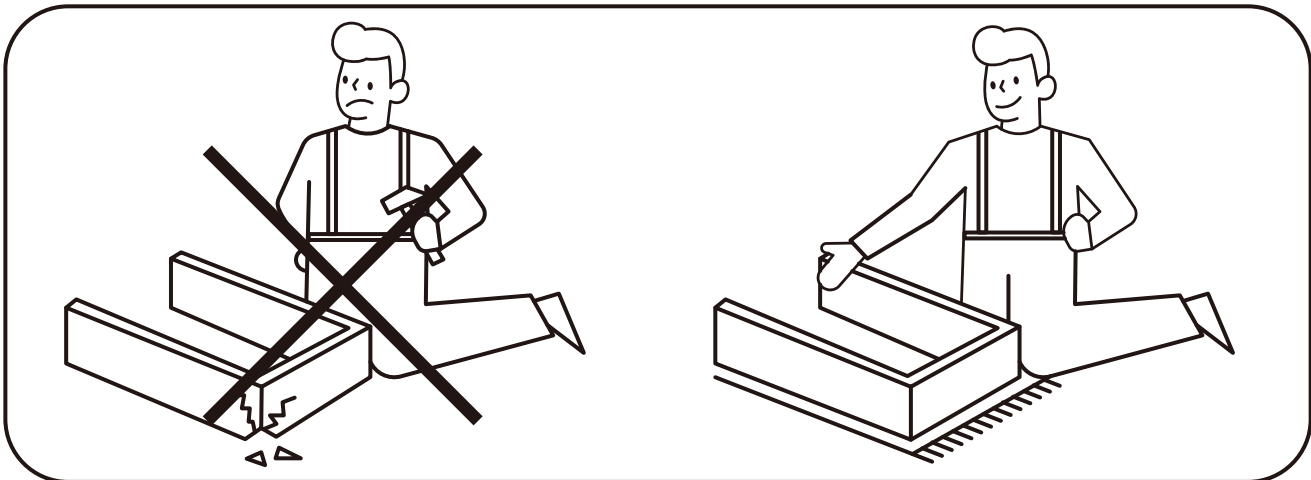
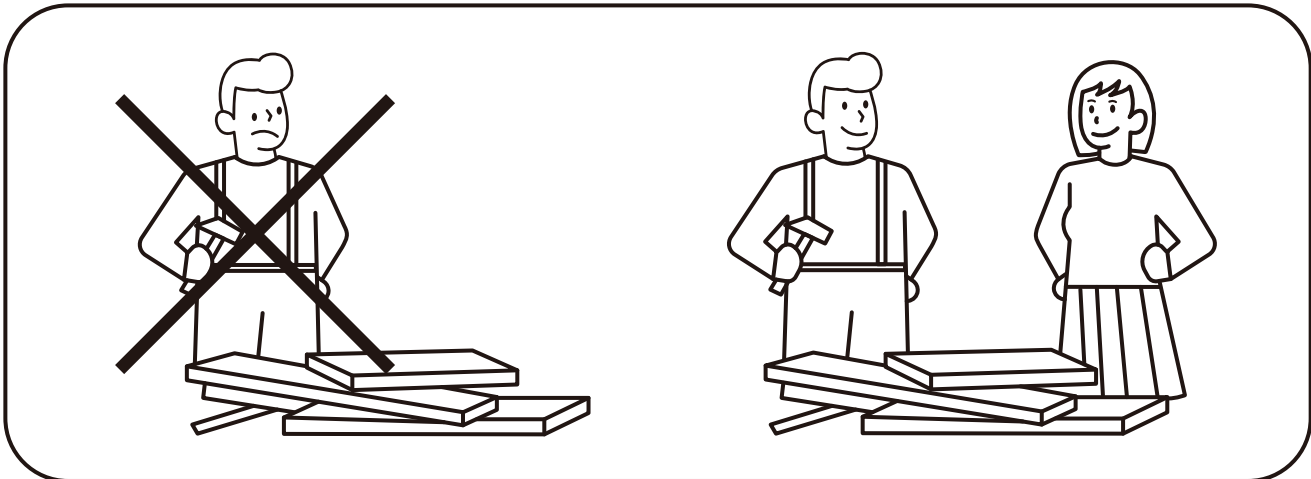
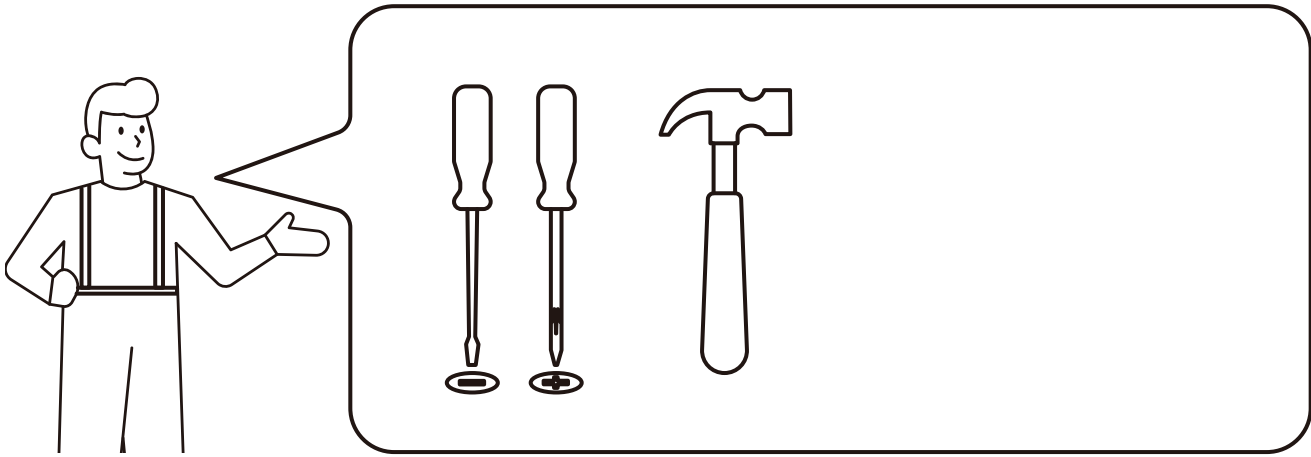
V3



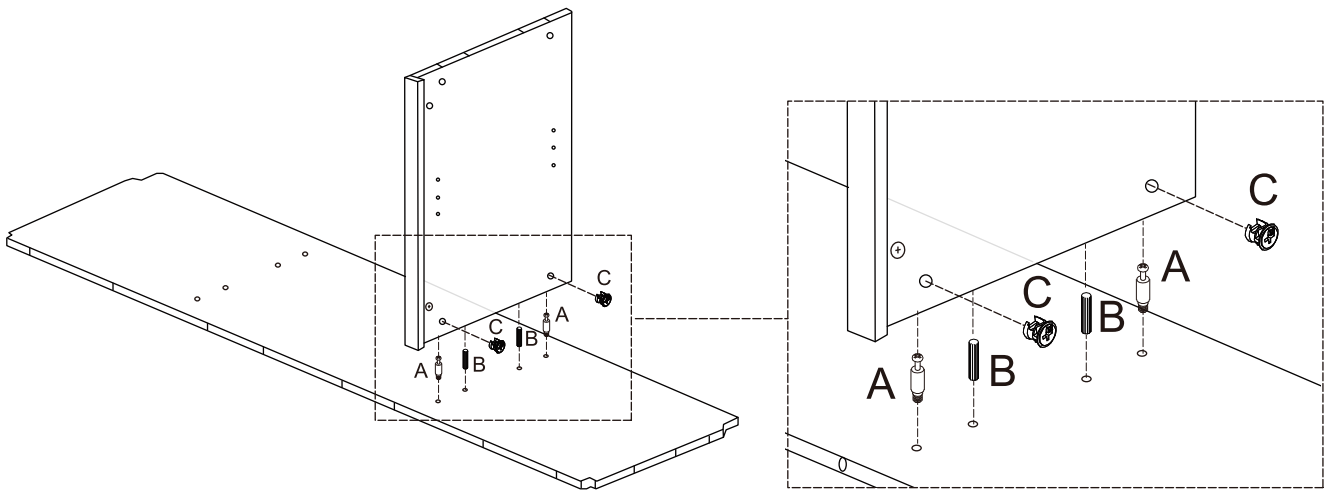
V4
X 4



V5
X 1

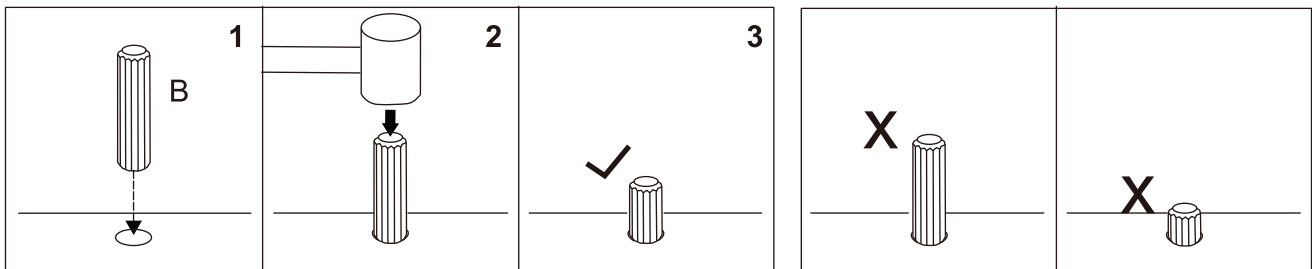


How to work the Knock Down (kd) assembly system

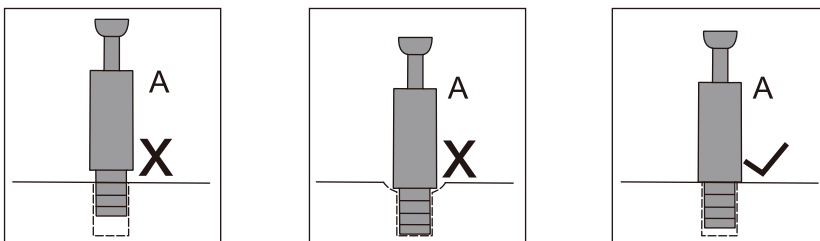


How to install Wood Dowel

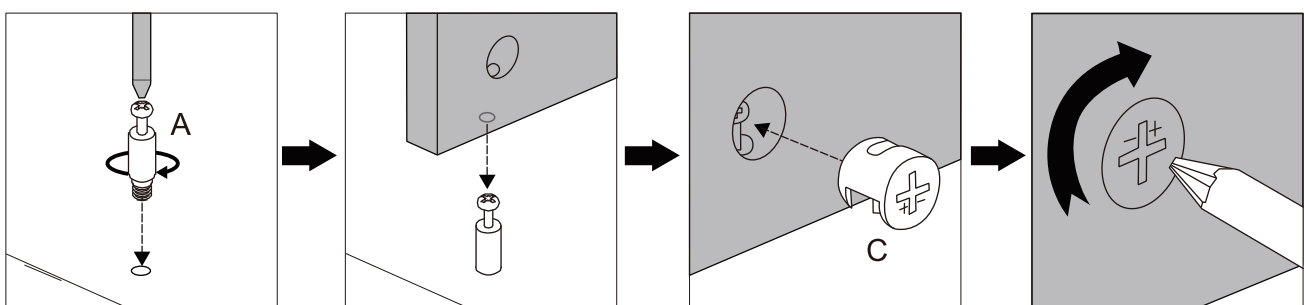
Insert the wood dowel [B] at least half way by tapping lightly with a rubber mallet, IF NECESSARY.



How to use the Cam Lock system

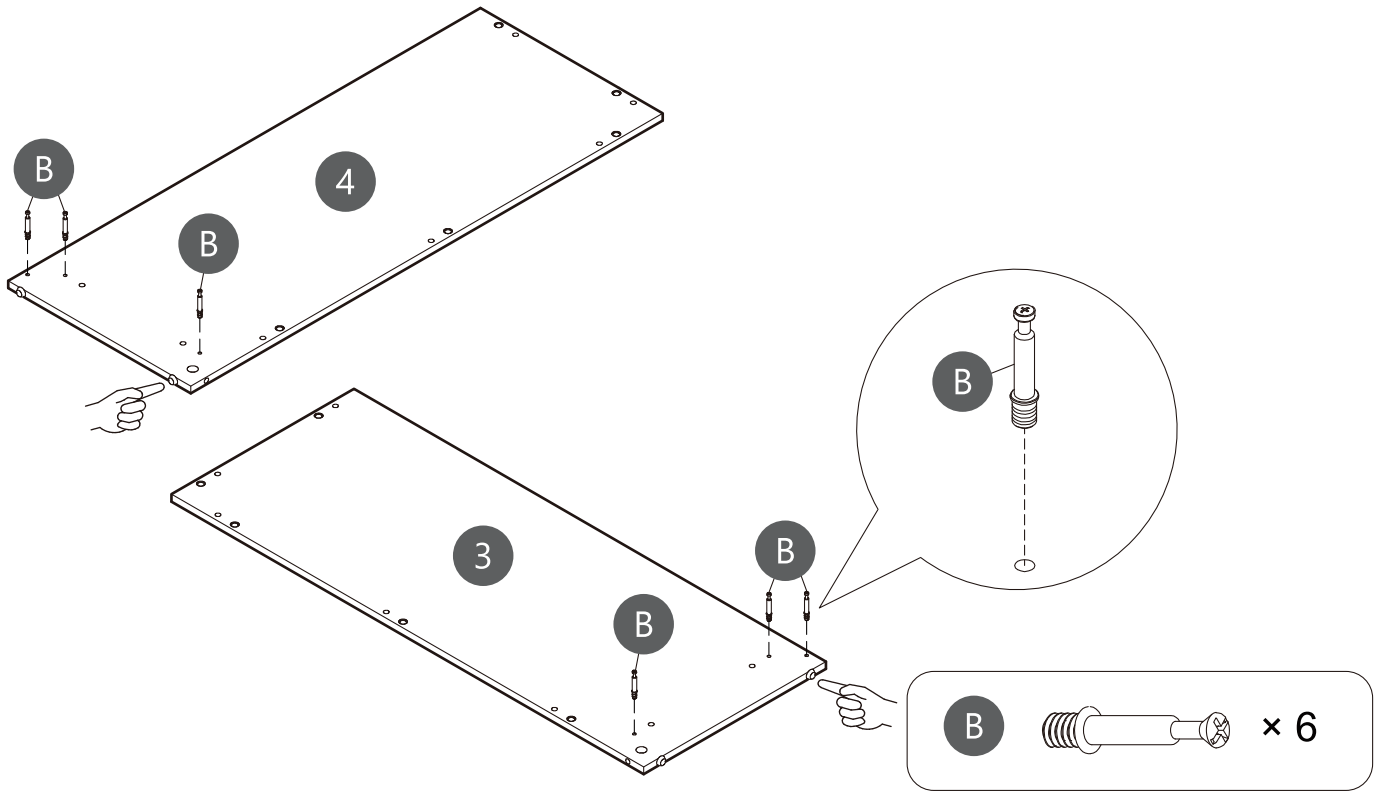


1. Screw the cam bolt [A] into the threaded insert on the panel.
2. Connect both panels together making sure cam bolt [A] goes into the pre-drilled large hole on the end of panel for cam lock [C].
3. Insert the cam lock [C] into the pre-drilled large hole on the panel. **Make sure the cross slot of cam lock [C] faces out.**
4. Rotate the cam lock [C] **clockwise** with a self-supplied philips screwdriver to lock the cam bolt [A] in place.



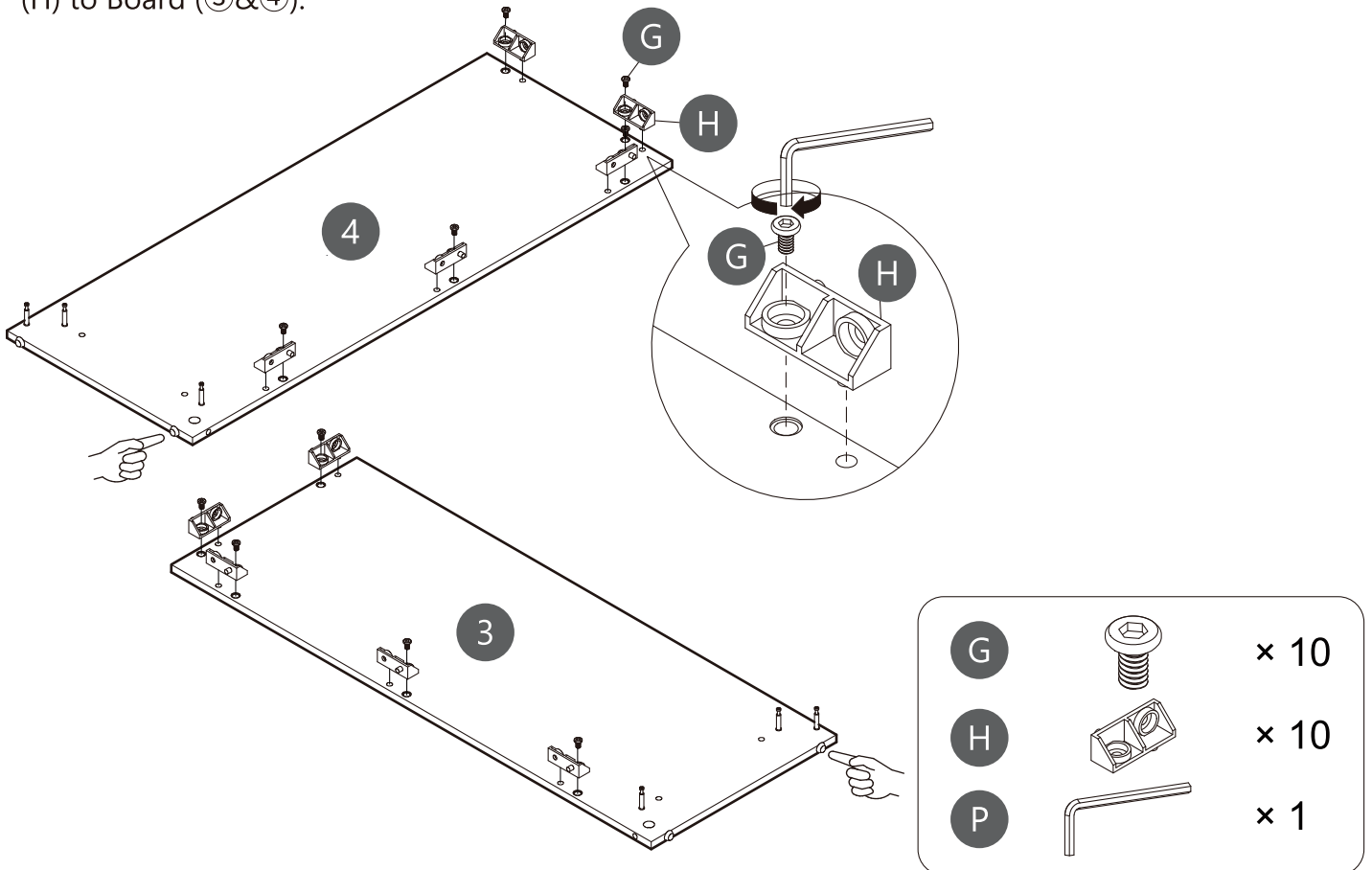
Step 1

Securing Cam Bolt (B) into Board (③&④).



Step 2

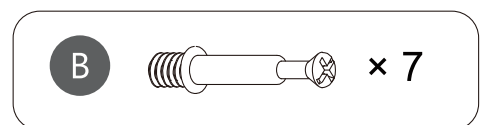
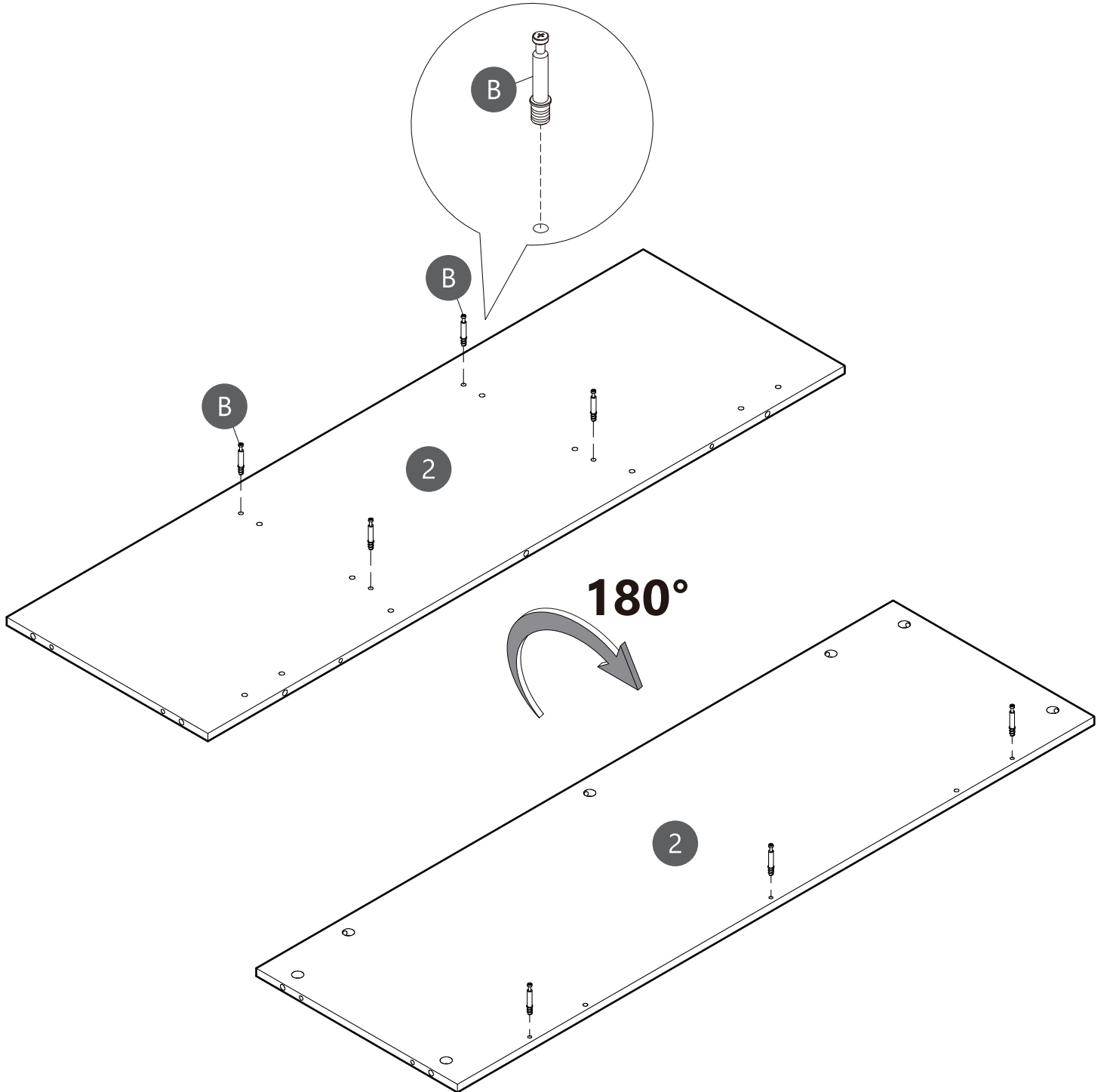
Using Screws (G) and a 7-Shaped Wrench (P) secure Connector (H) to Board (③&④).



Step 3

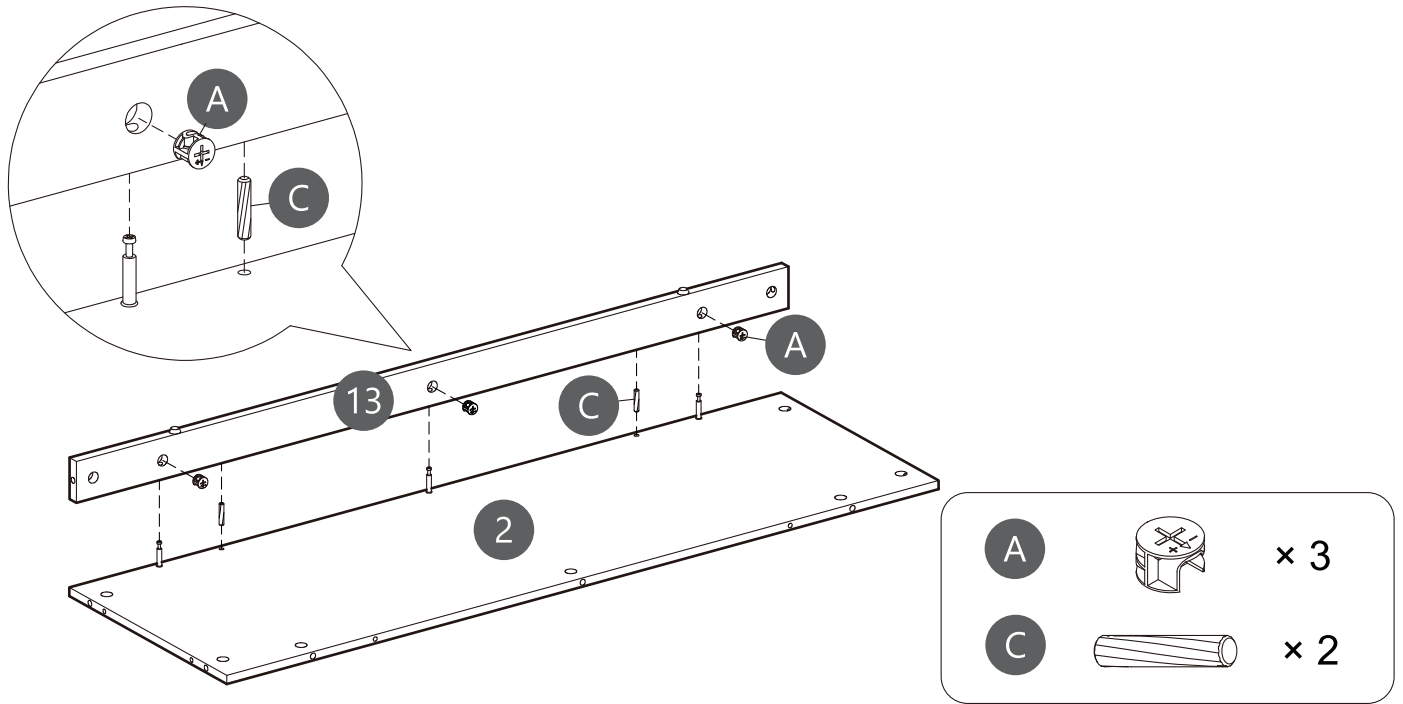
Securing Cam Bolt (B) into Board (②).

Then flip 180 degrees, Securing Cam Bolt (B) into Board (②).



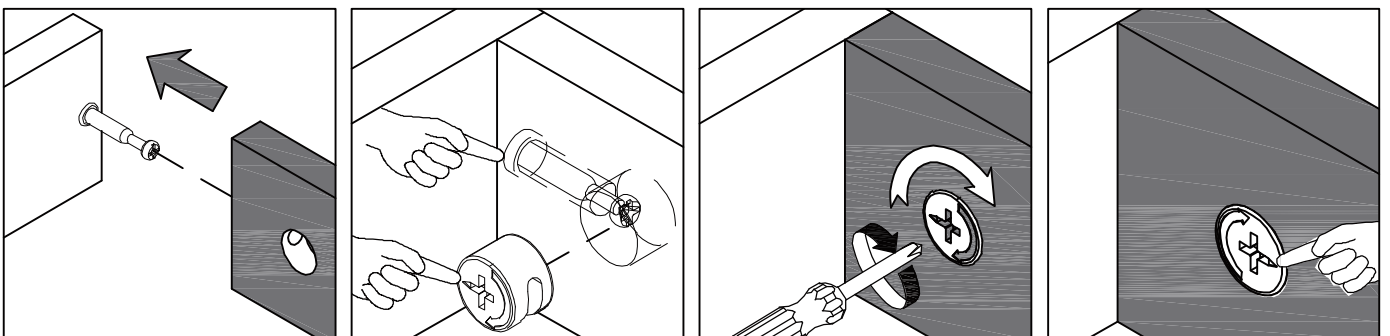
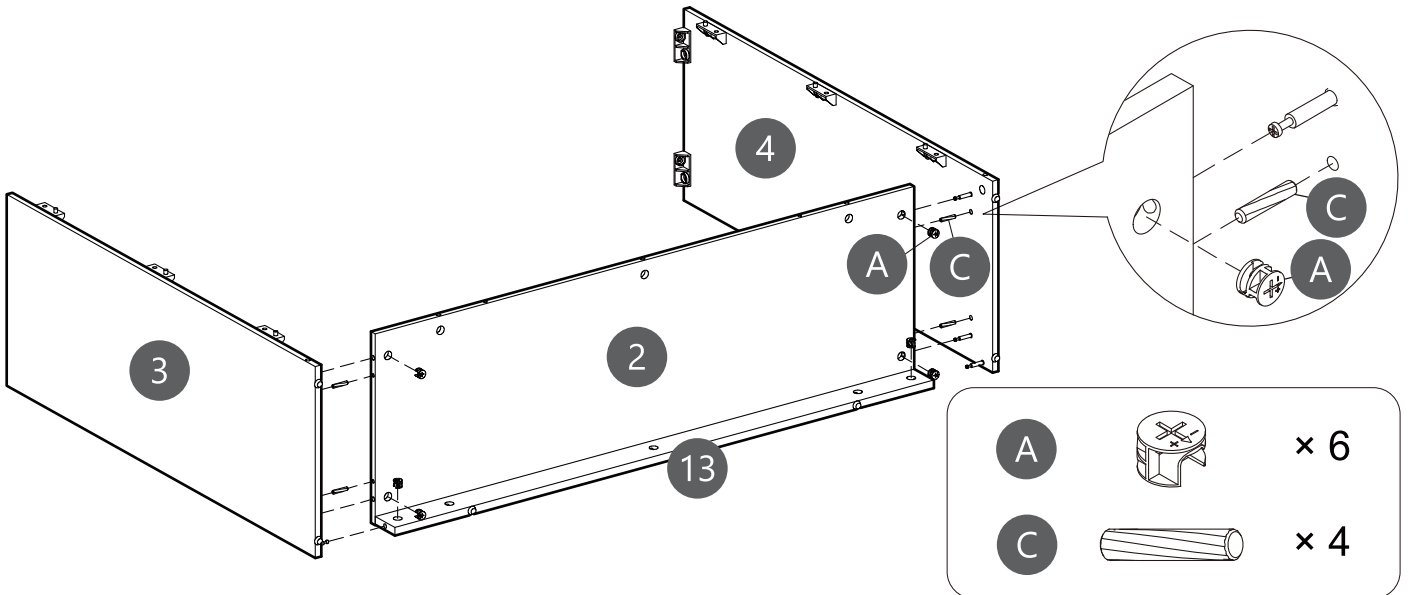
Step 4

Inserting Wooden Dowel (C) into Board (2), then attach Board (13) to Board (2).
Using Cam Lock (A) secure Board (13) to Board (2).



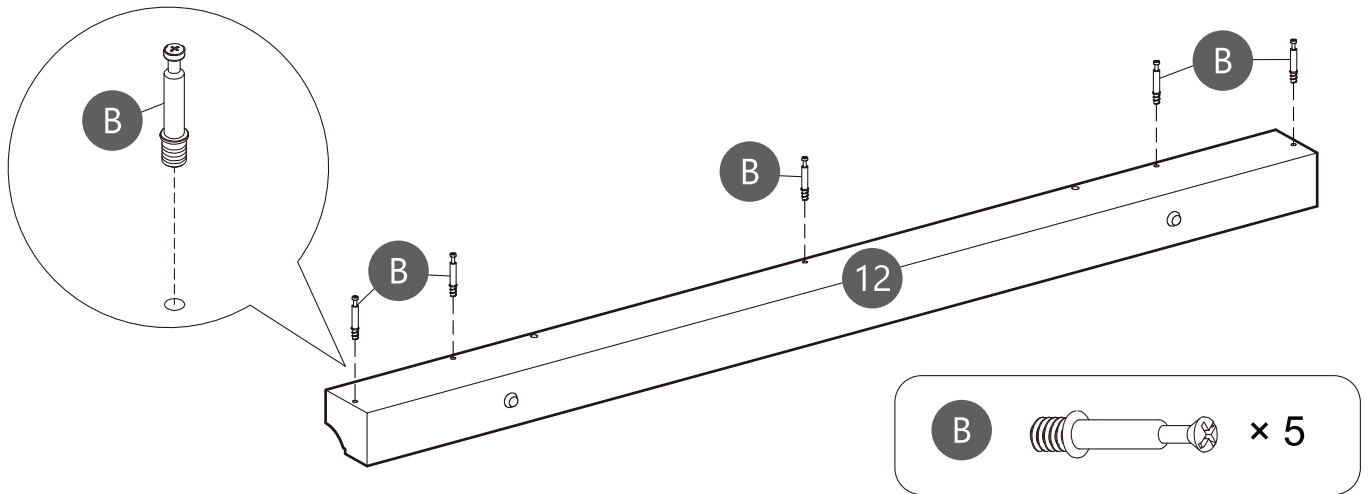
Step 5

Inserting Wooden Dowel (C) into Board (2), then attach Board (3&4) to Board (2&13).
Using Cam Lock (A) secure Board (3&4) to Board (2&13).



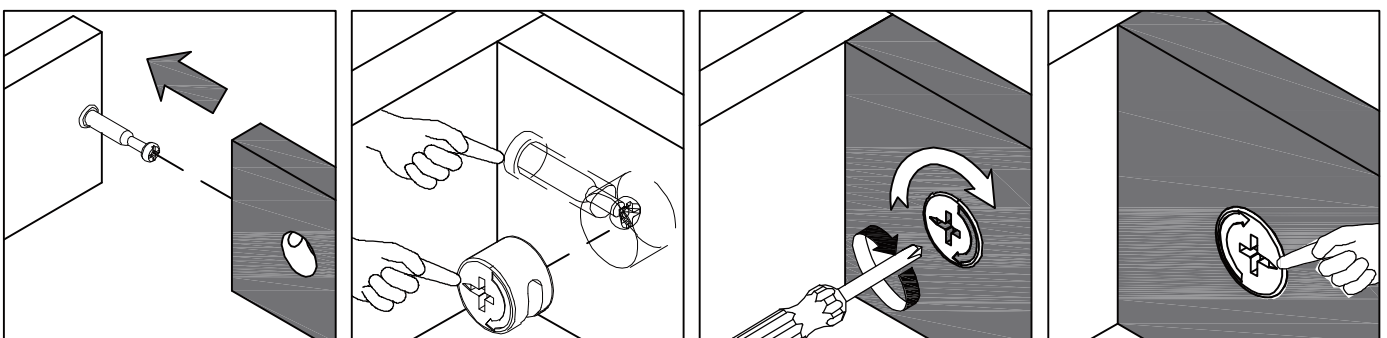
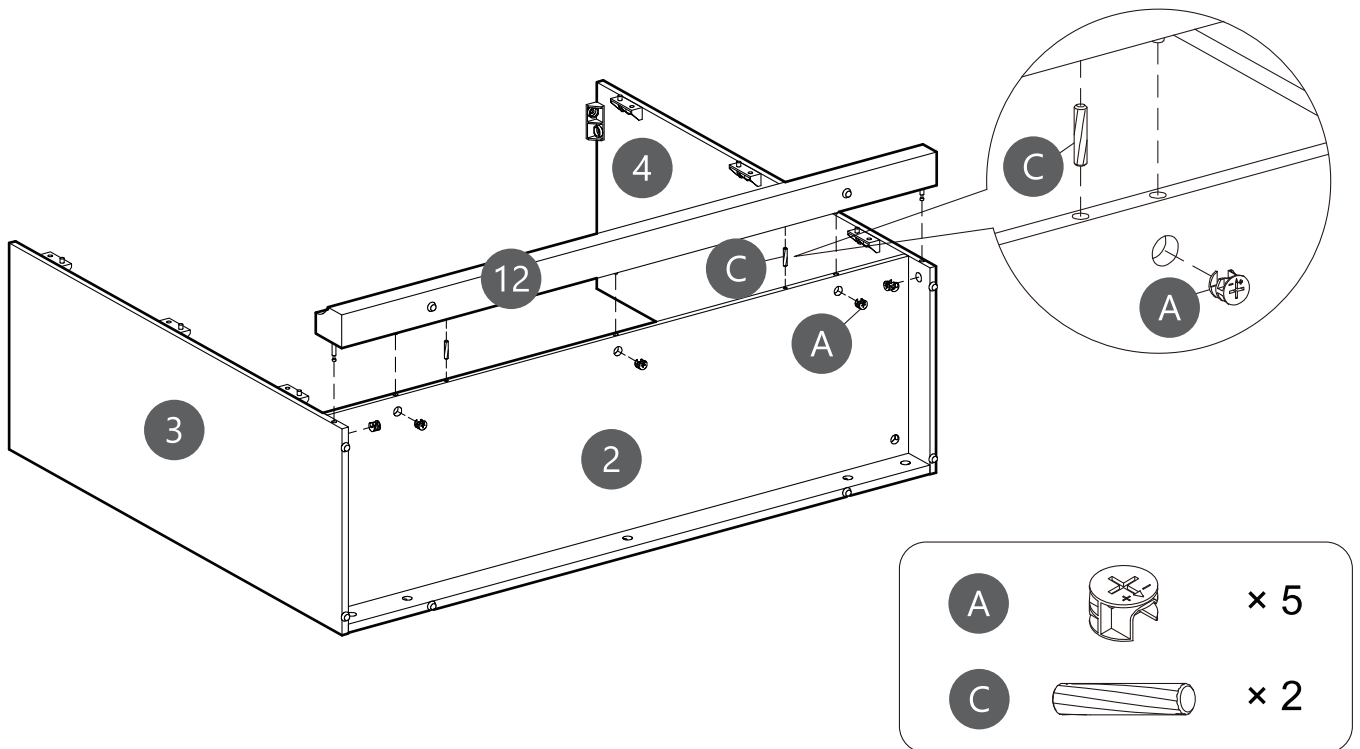
Step 6

Securing Cam Bolt (B) into Board (12).



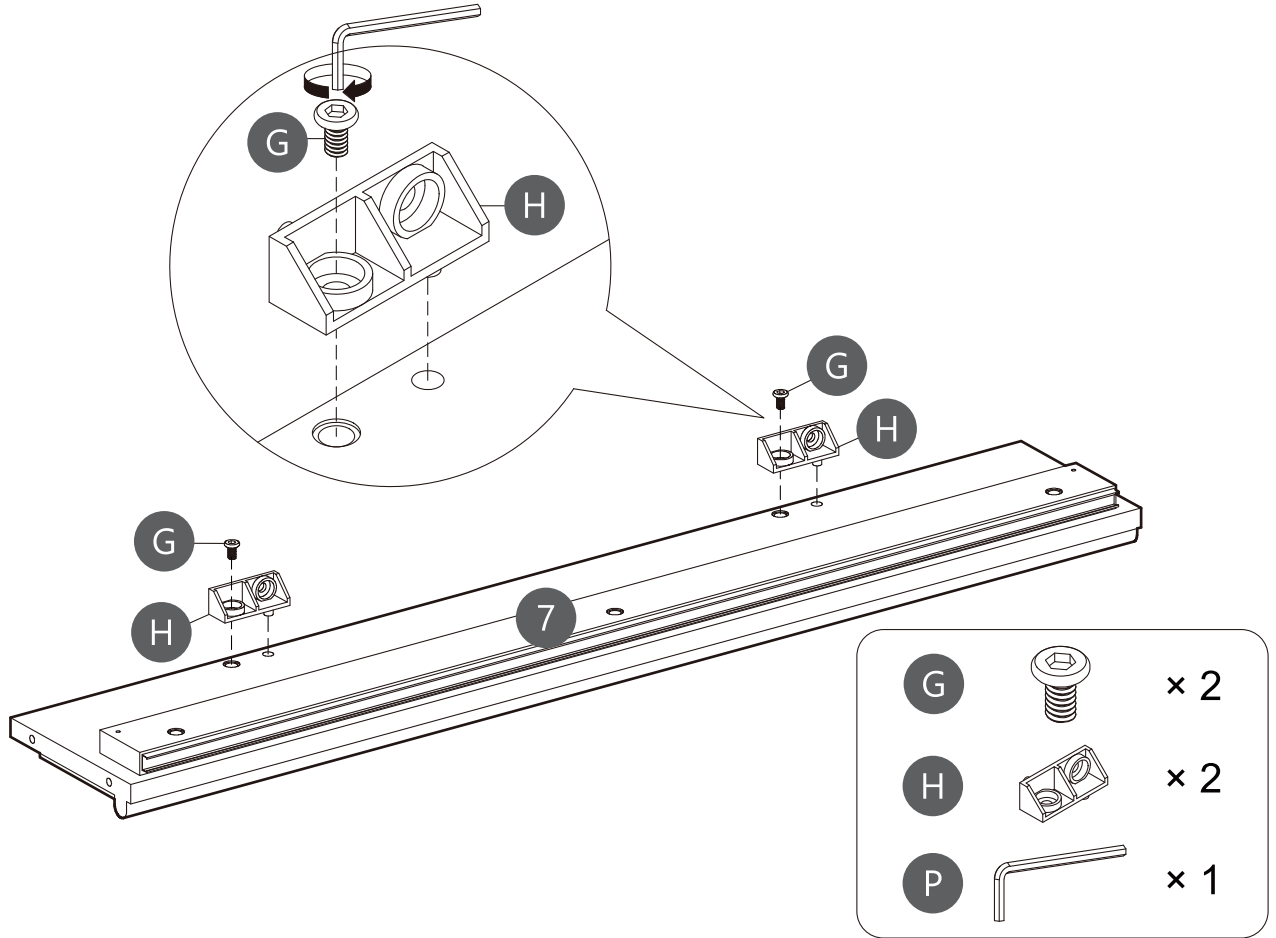
Step 7

Inserting Wooden Dowel (C) into Board (2), then Attach Board (12) to Board (2&3&4).
Using Cam Lock (A) Secure Board (12) to Board (2&3&4).



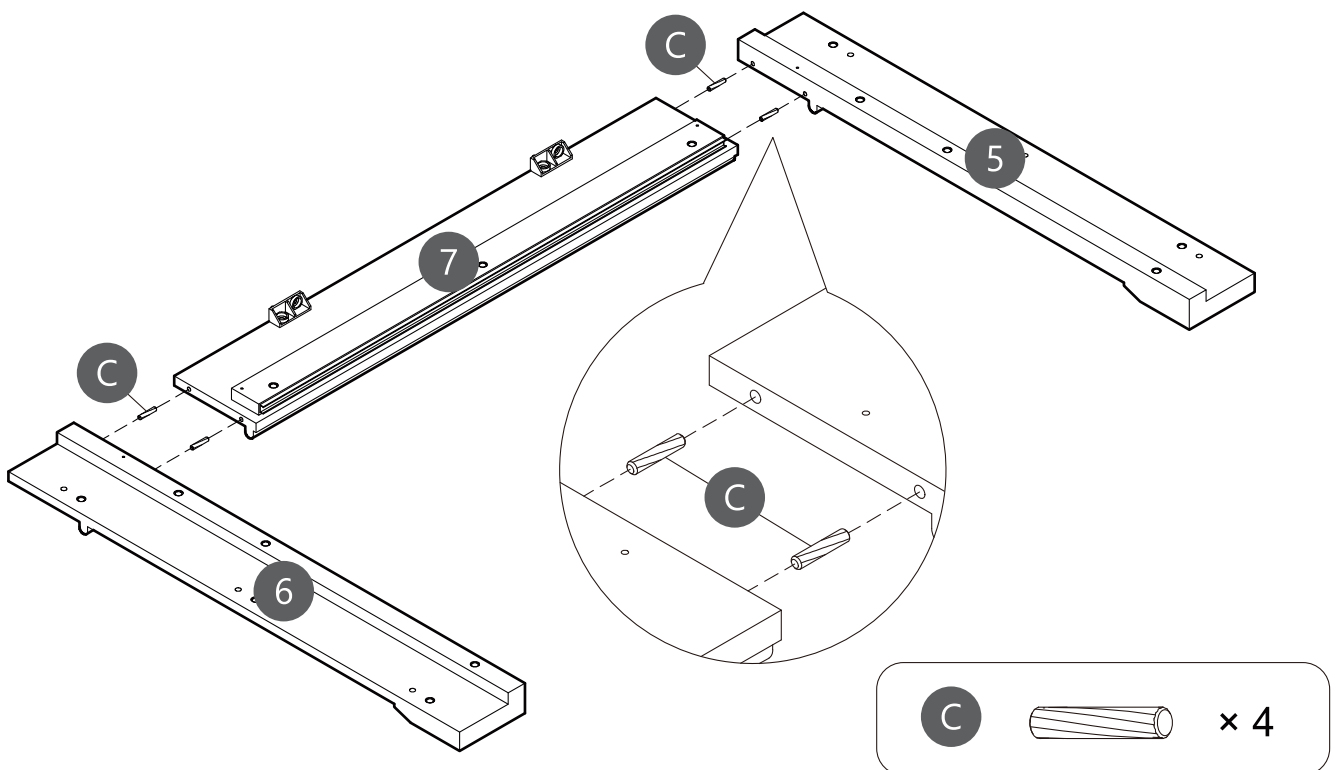
Step 8

Using Screws (G) and a 7-Shaped Wrench (P) Secure Connector (H) to Board (7).



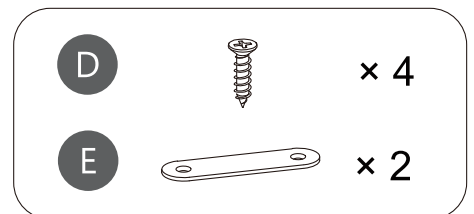
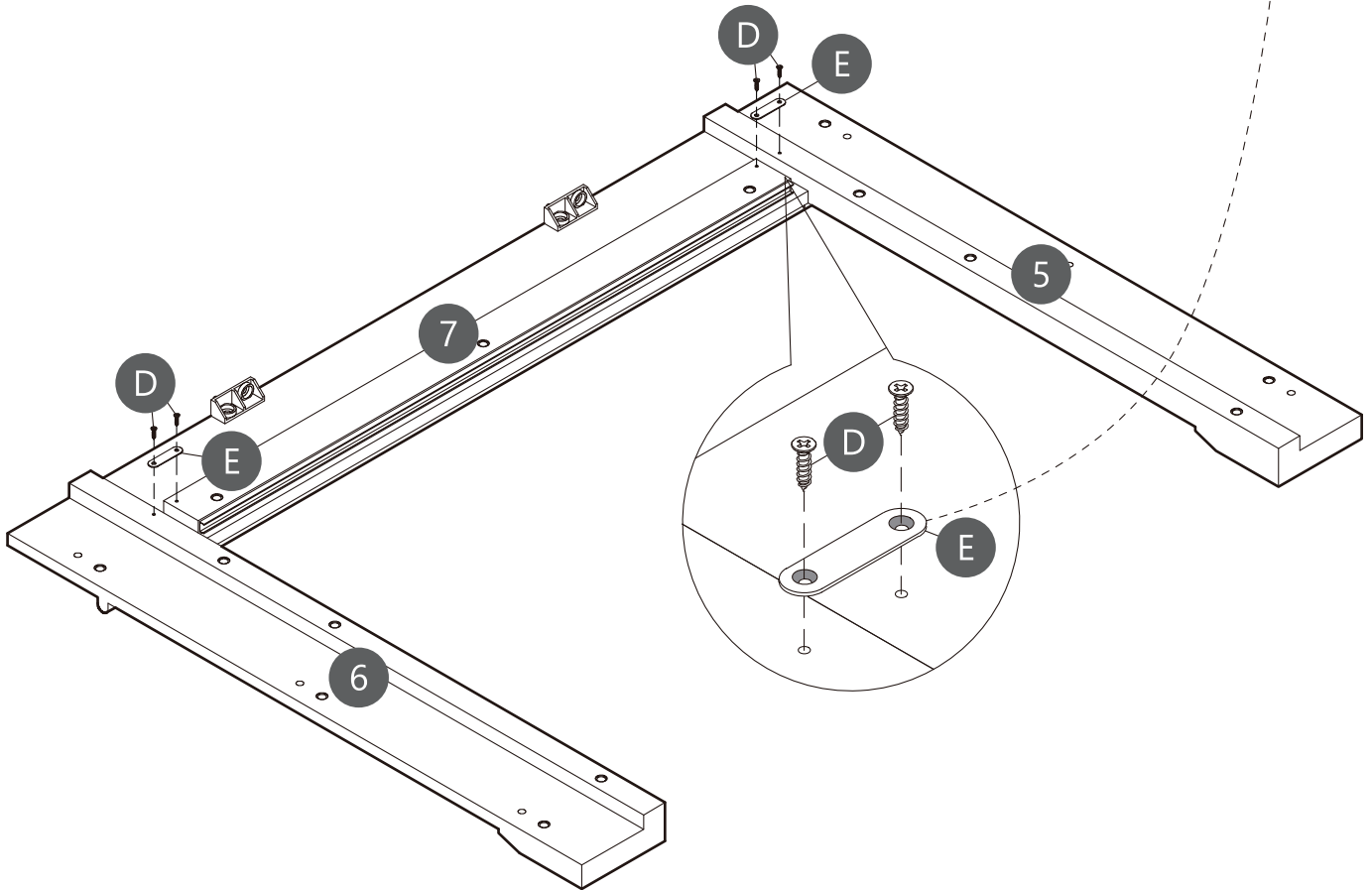
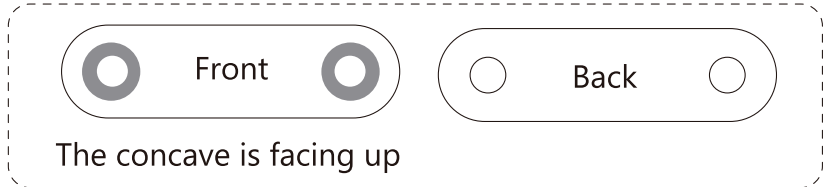
Step 9

Inserting Wooden Dowel (C) into Board (7), then attach Board (5&6) to Board (7).



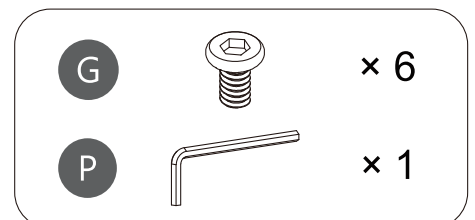
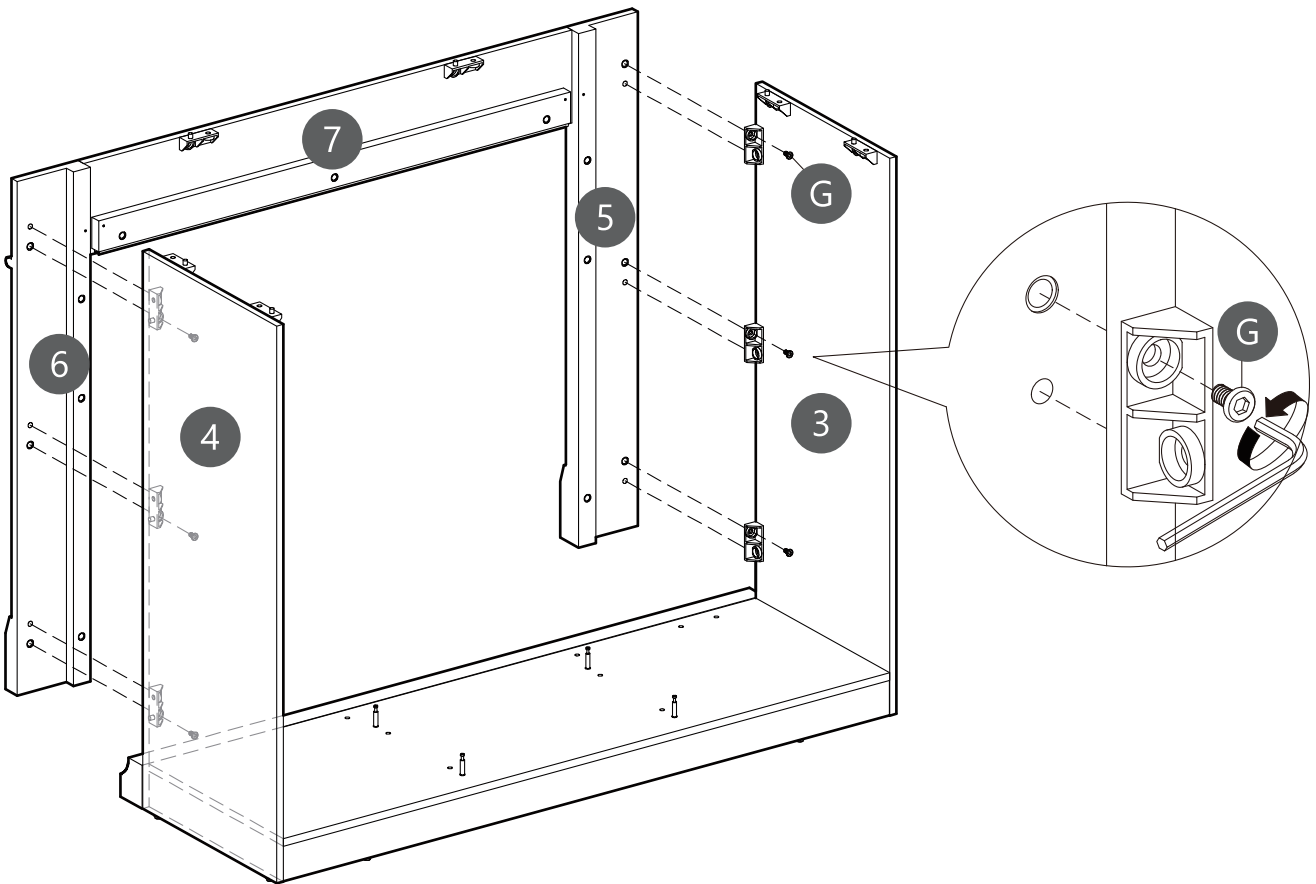
Step 10

Using Screws (D) secure Connector (E) to Board (⑤&⑦,⑥&⑦).



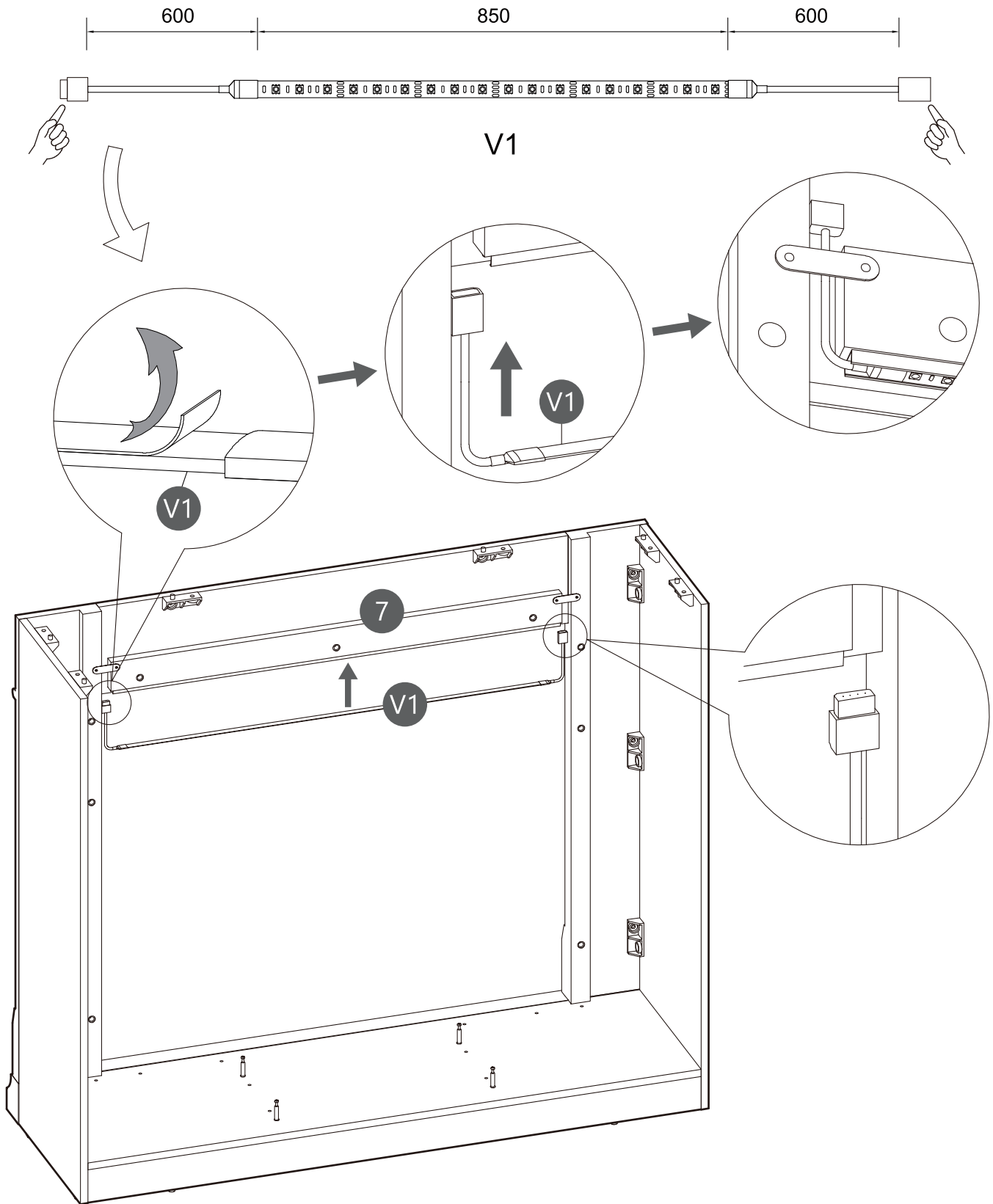
Step 11

Using Screws (G) and a 7-Shaped Wrench (P) secure Board (⑤&⑥) to Board (③&④).



Step 12

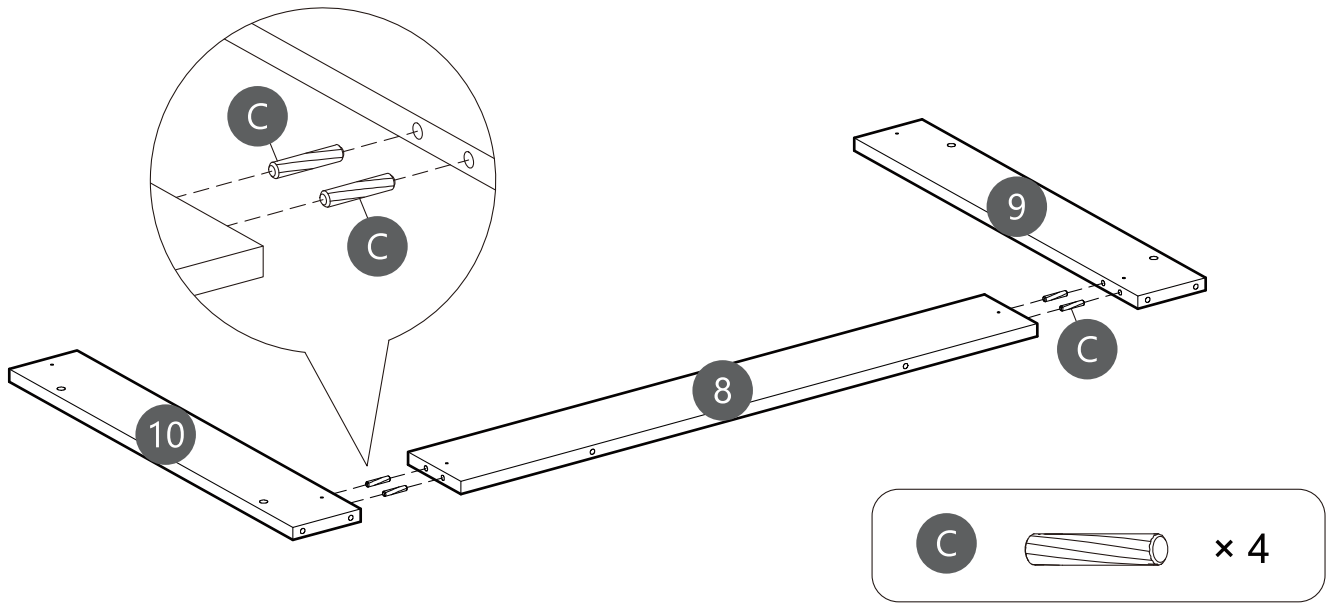
Attach the LED Strip Light (V1) to Board (7).



V1  x 1

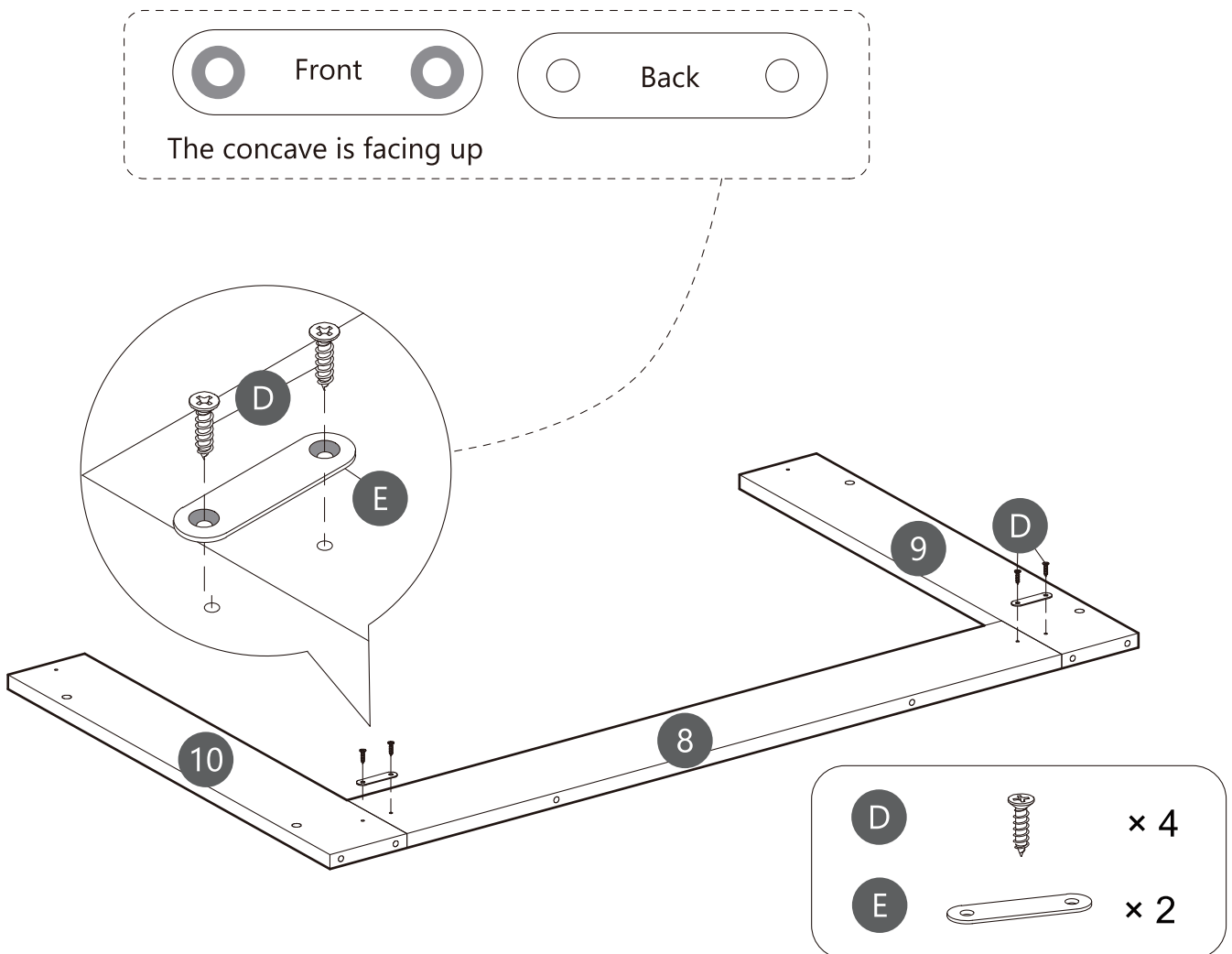
Step 13

Inserting Wooden Dowel (C) into Board (8), then attach Board (9&10) to Board (8).



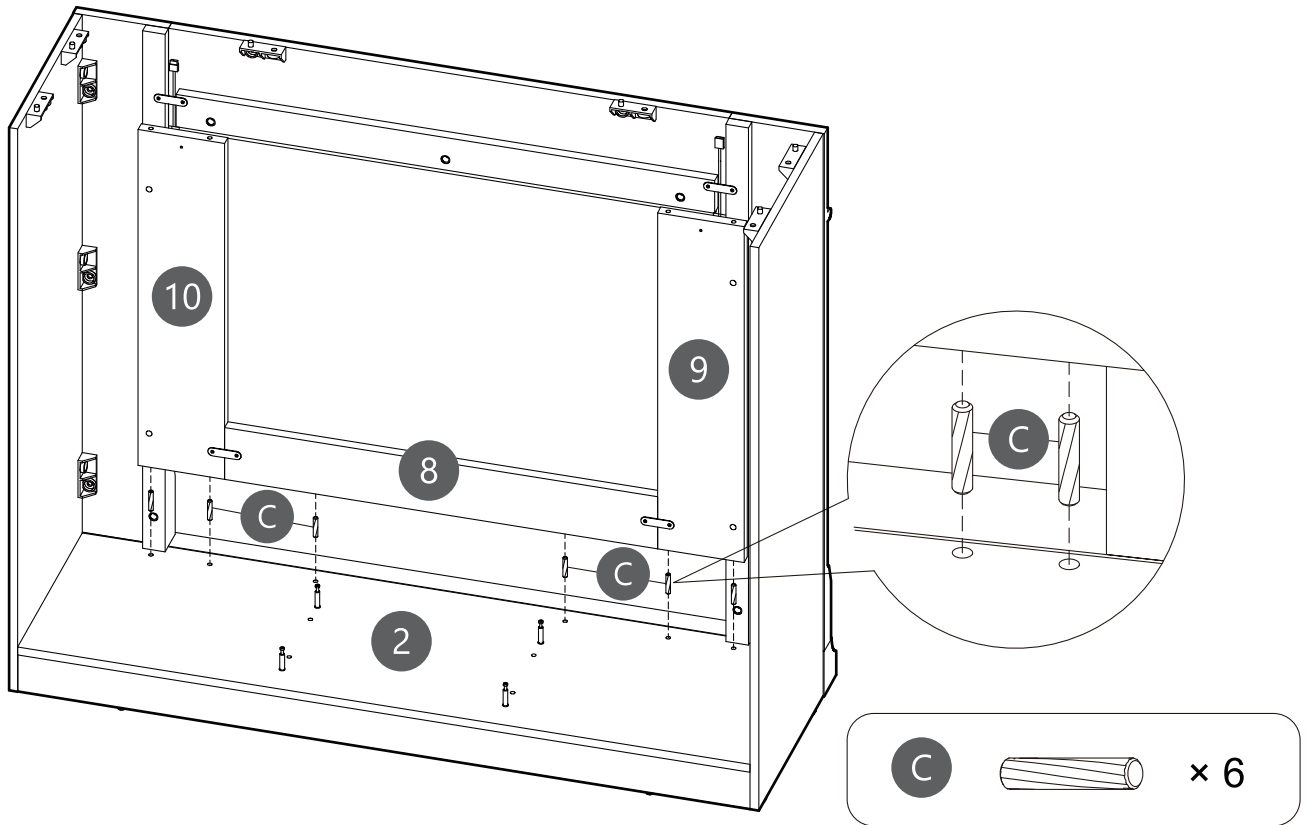
Step 14

Using Screws (D) secure Connector (E) to Board (8&9, 8&10).



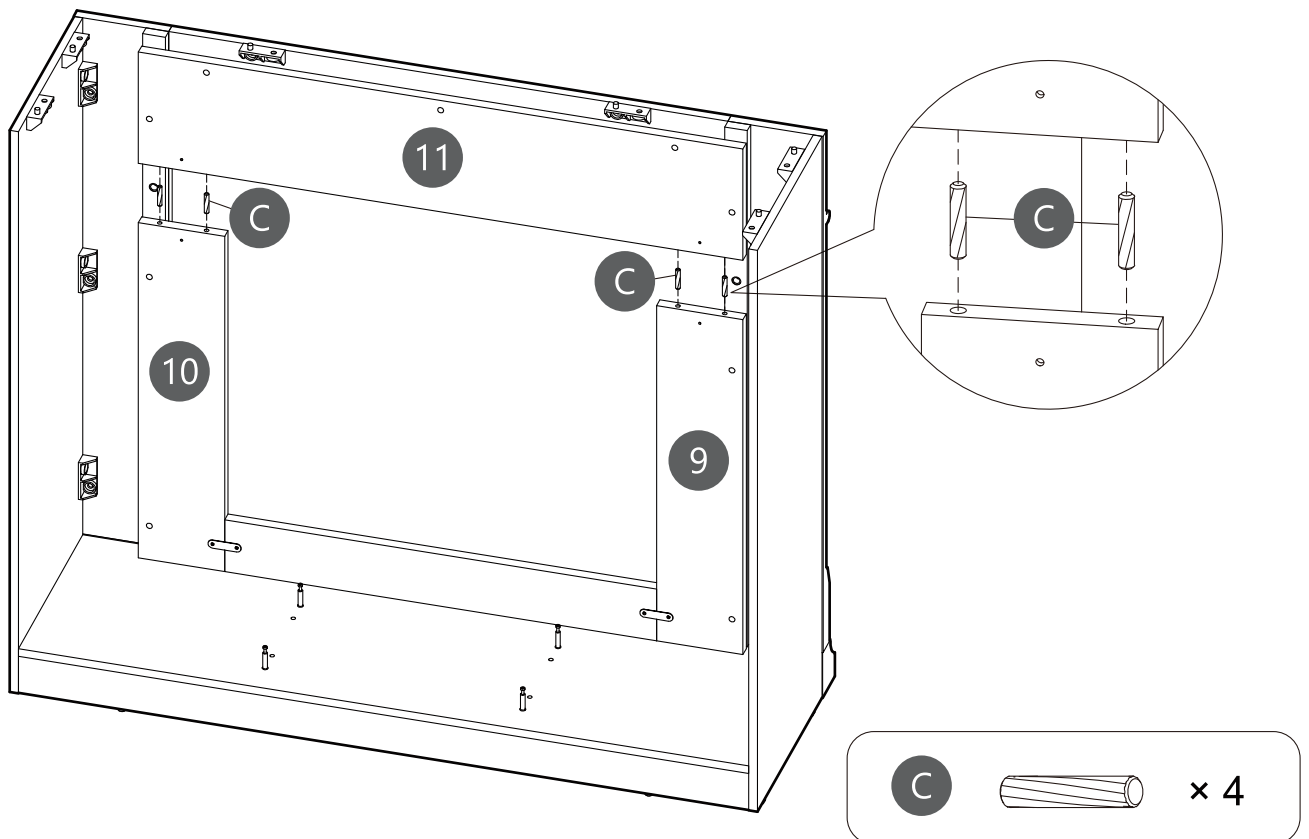
Step 15

Inserting Wooden Dowel (C) into Board (2), then attach Board (8&9&10) to Board (2).



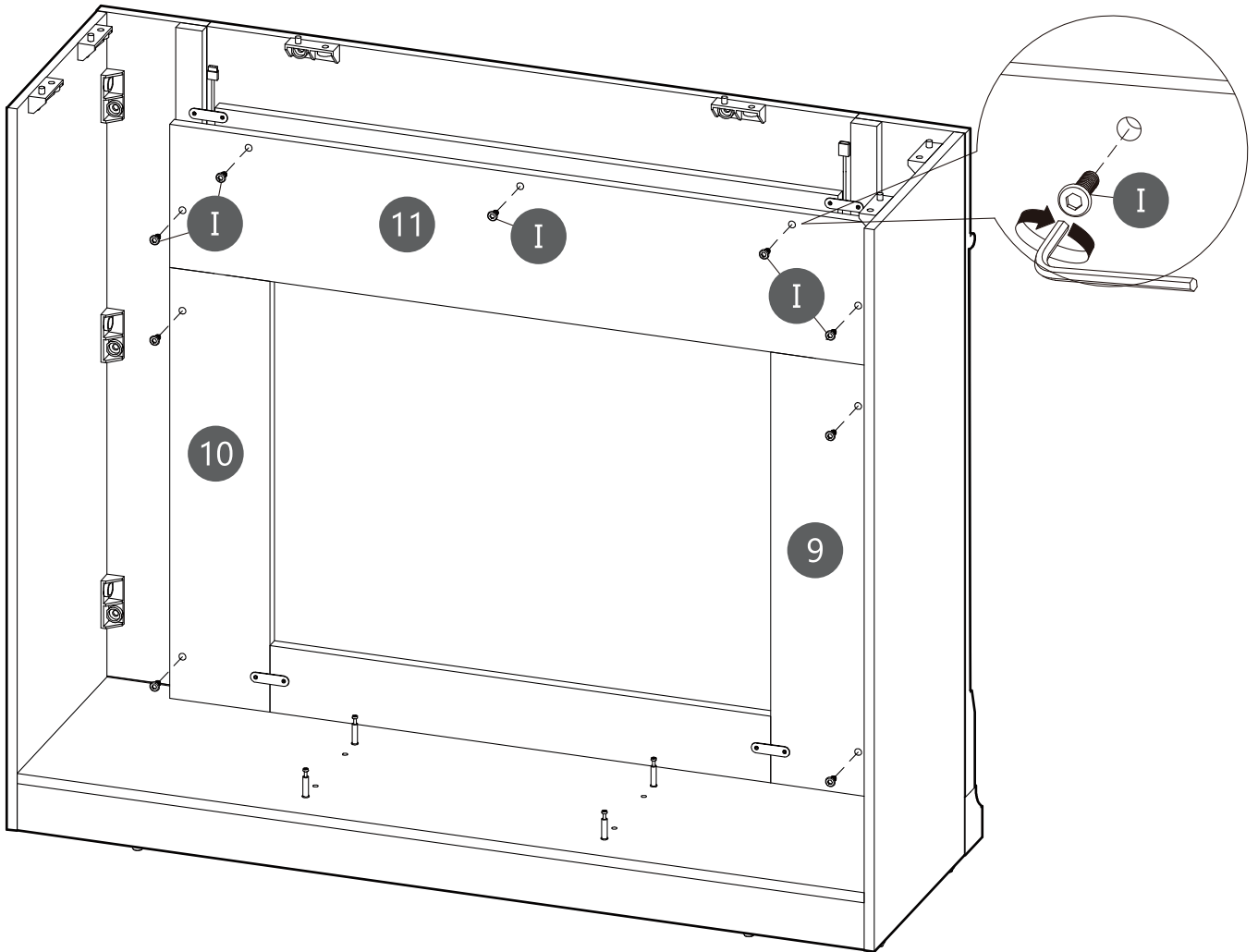
Step 16



Inserting Wooden Dowel (C) into Board (9&10), then attach Board (11) to Board (9&10).



Step 17

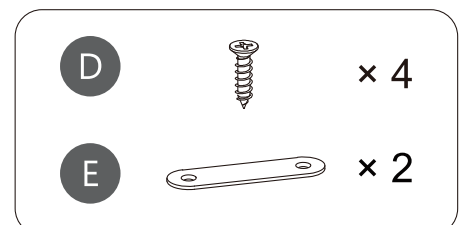
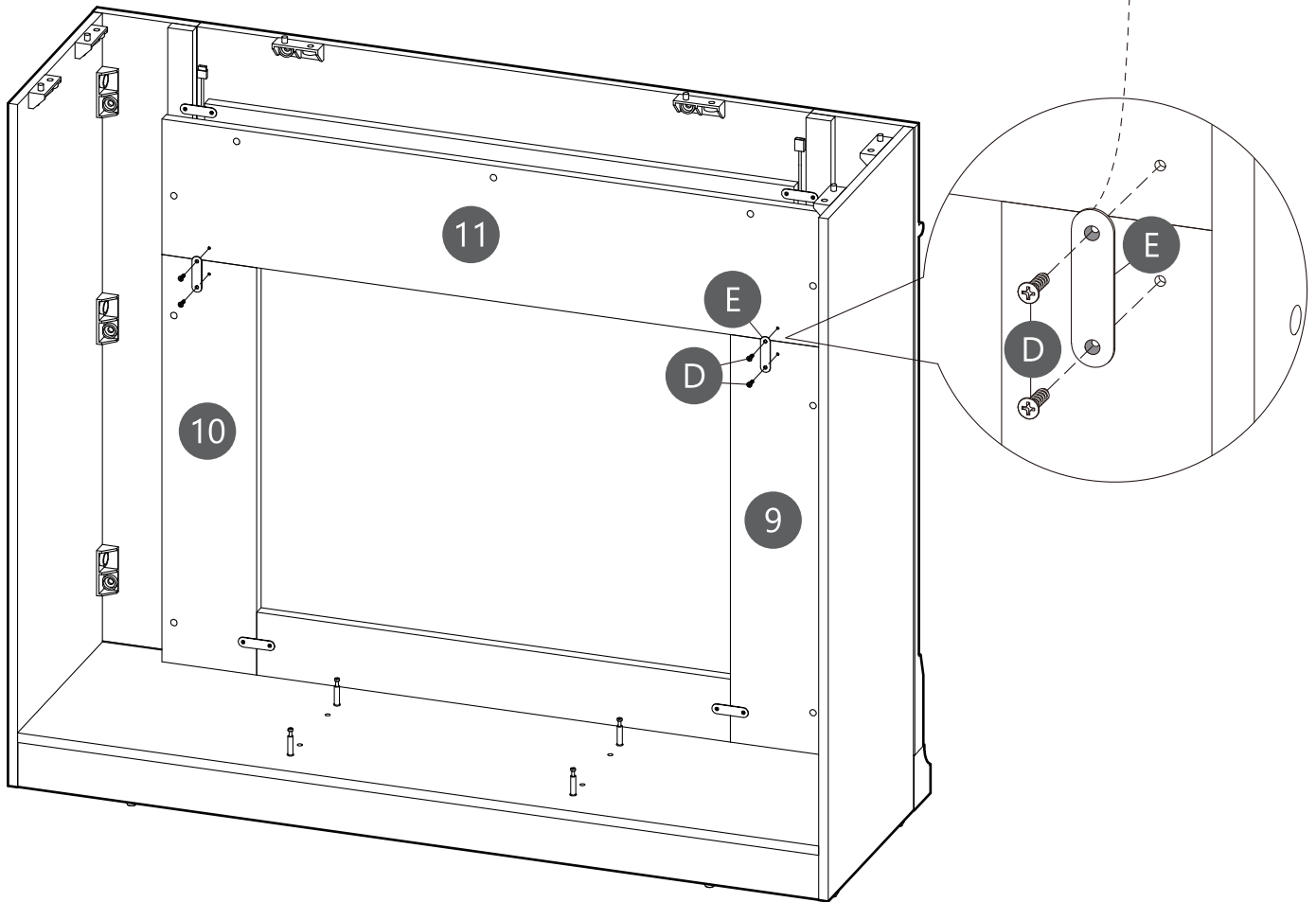
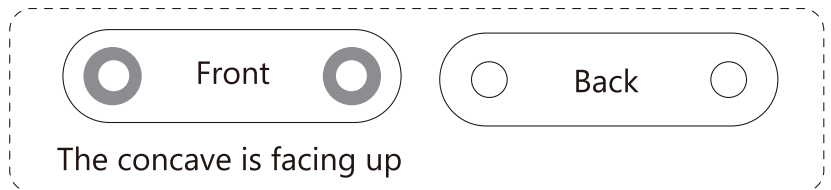
Using a 7-Shaped Wrench (P) secure Screws (I) into Board (9&10&11).



I		× 9
P		× 1

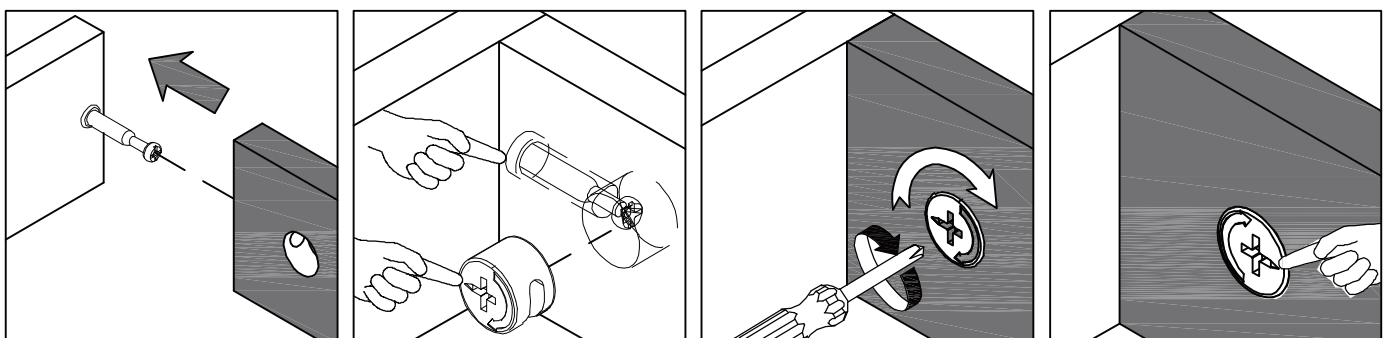
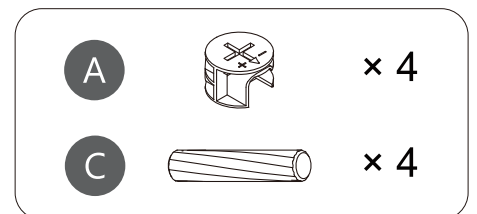
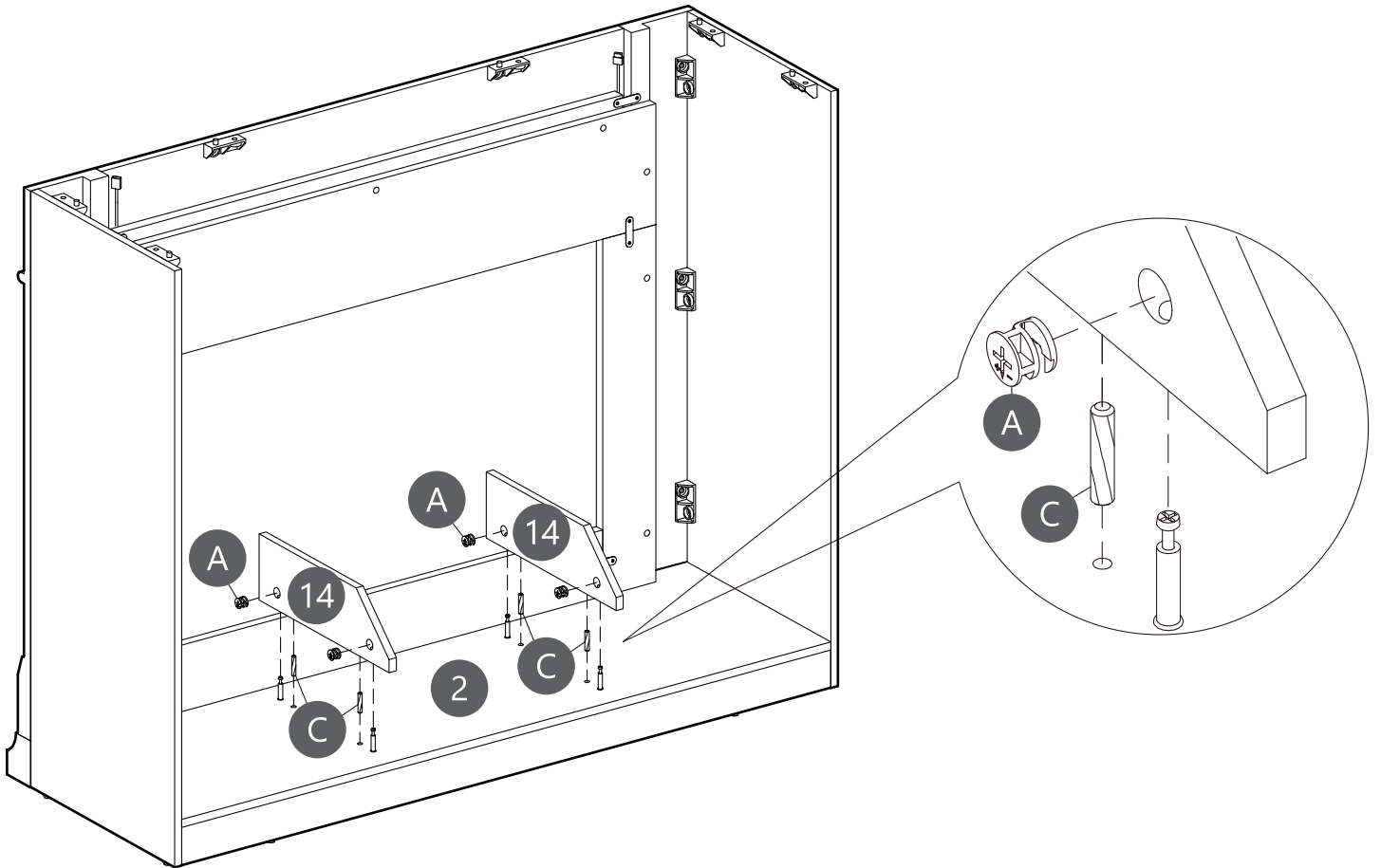
Step 18

Using Screws (D) secure Connector (E) to Board (9&11,10&11).



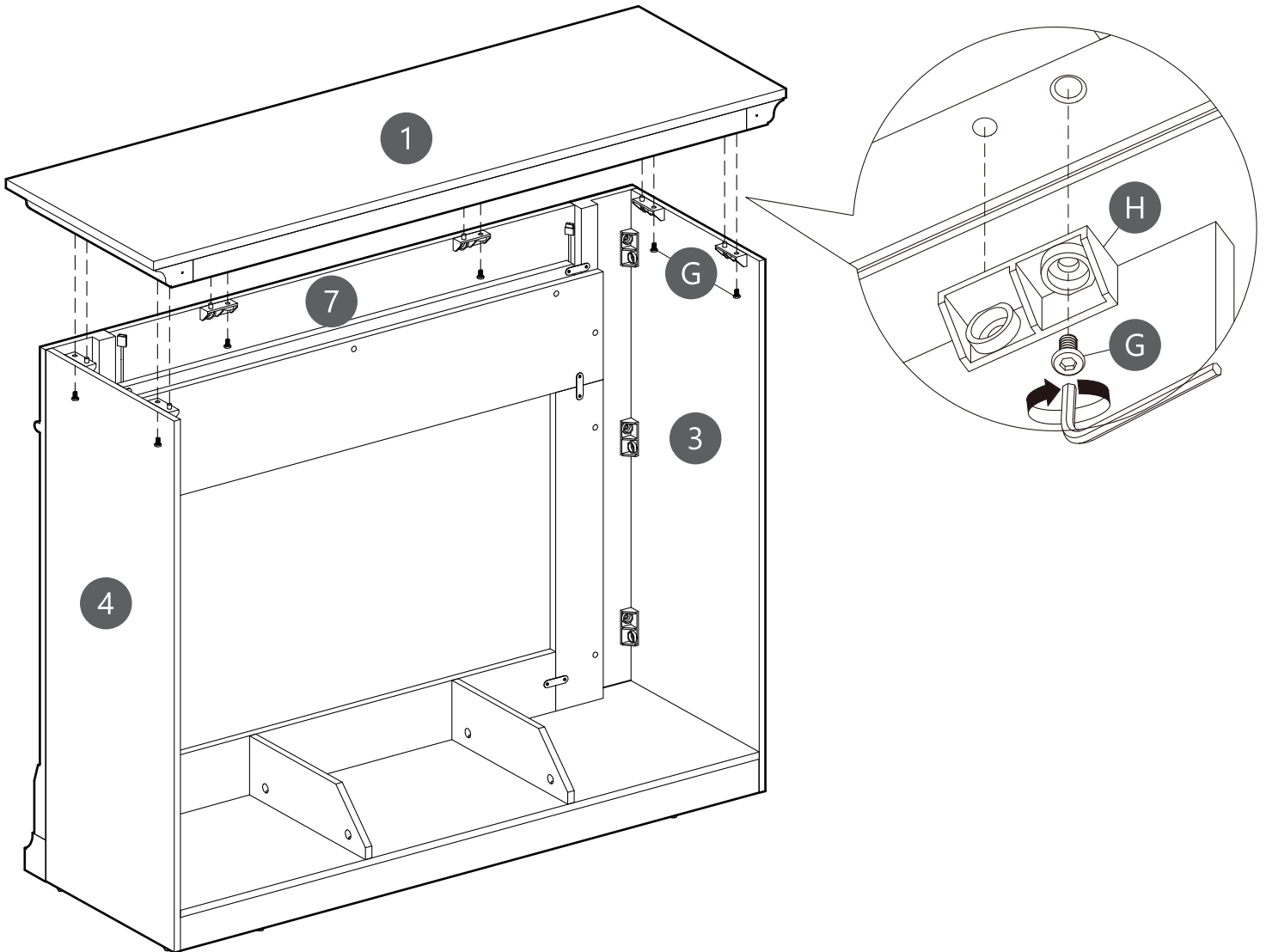
Step 19



Inserting Wooden Dowel (C) into Board (2), then attach Board (14) to Board (2).
Using Cam Lock (A) secure Board (14) to Board (2).



Step 20

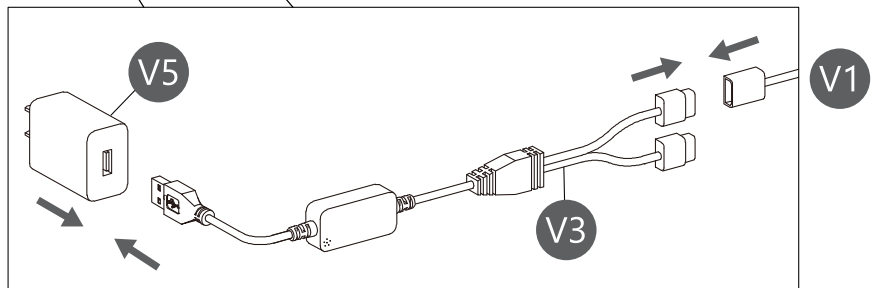
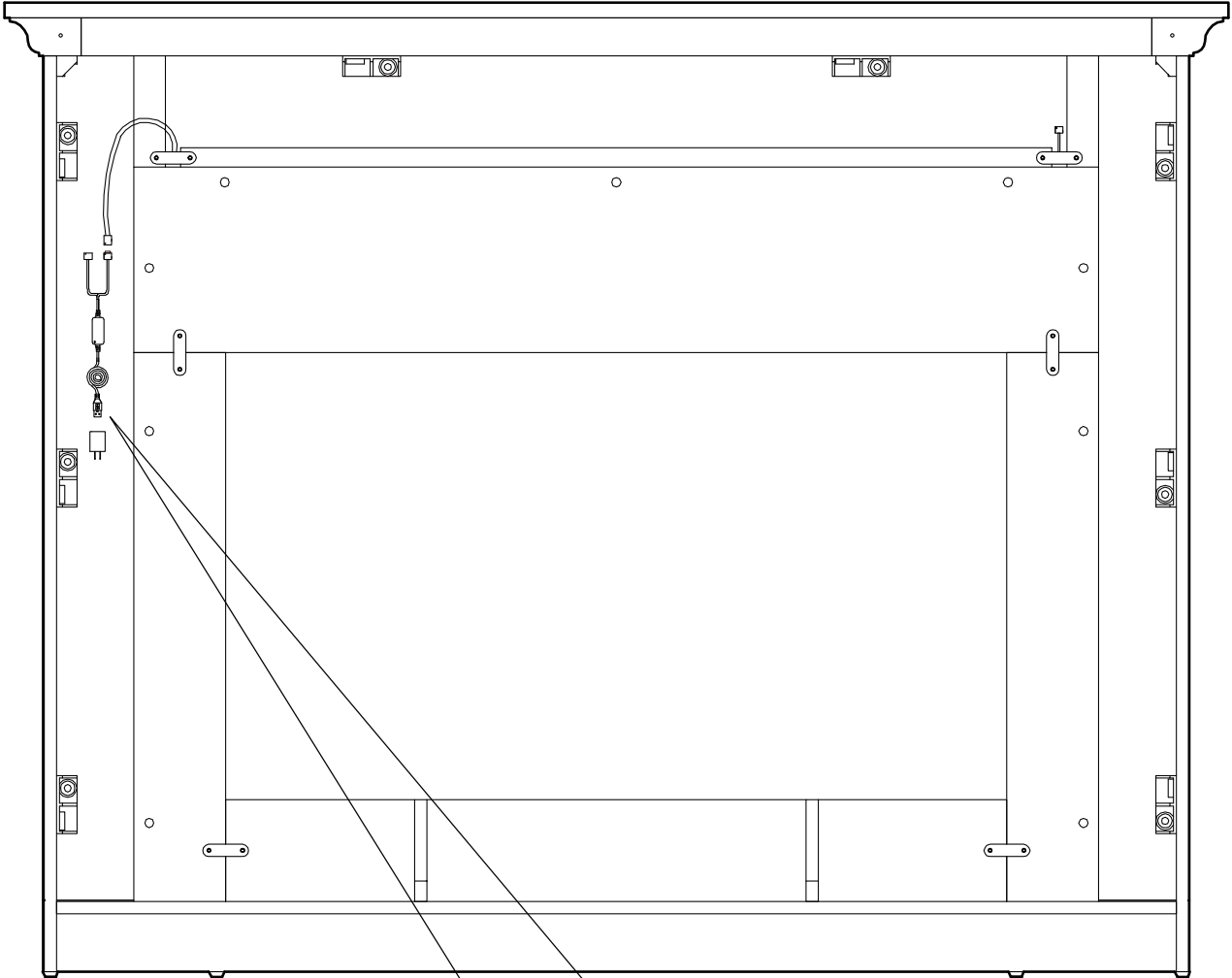
Using a 7-Shaped Wrench (P) secure Screws (G) Through Connector (H) secure Board (①) to Board (③&④&⑦).





G		× 6
P		× 1

Step 21

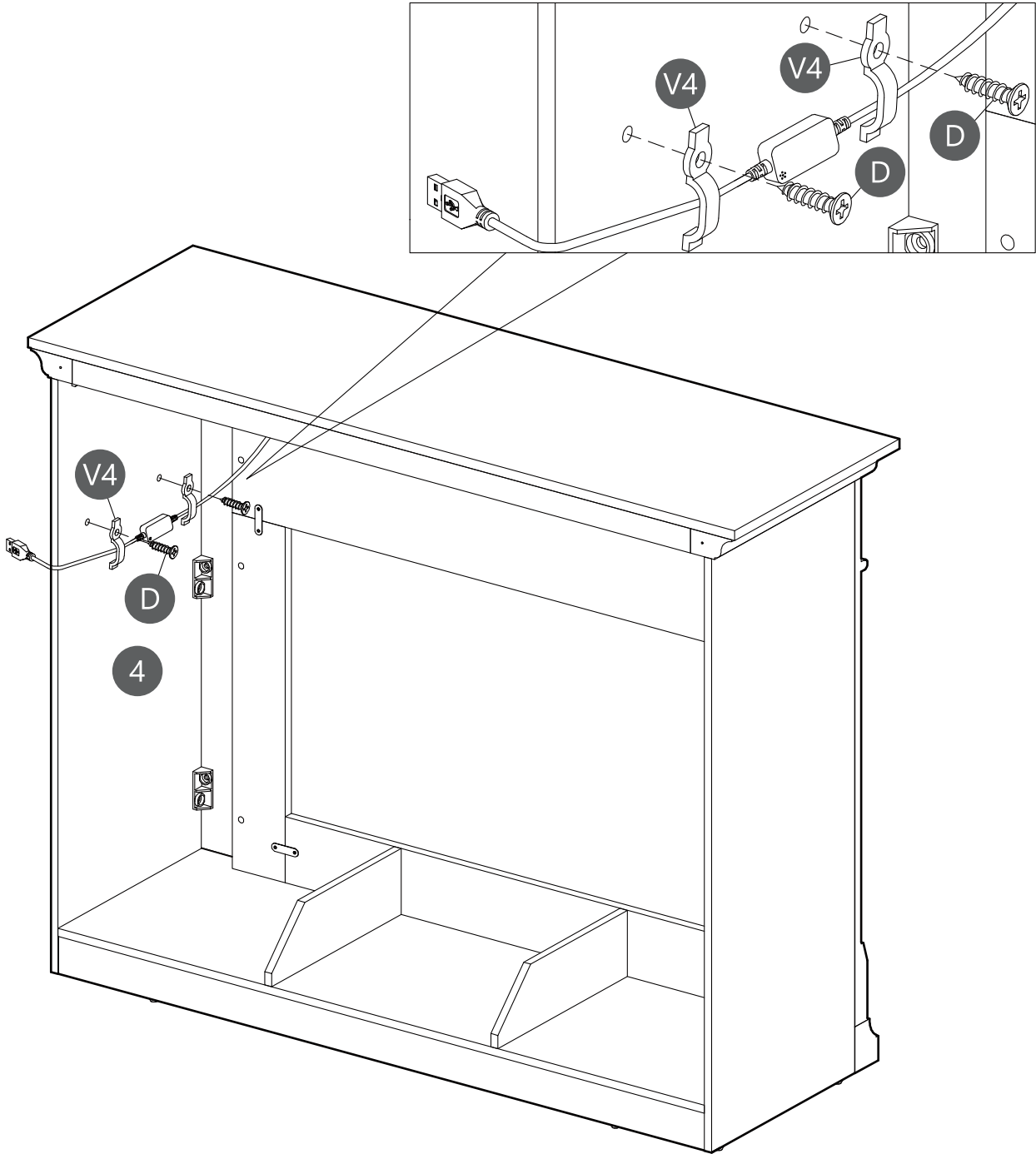
Connect Accessories(V3)&(V5) to the Light Strip (V1).





V3		× 1
V5		× 1

Step 22

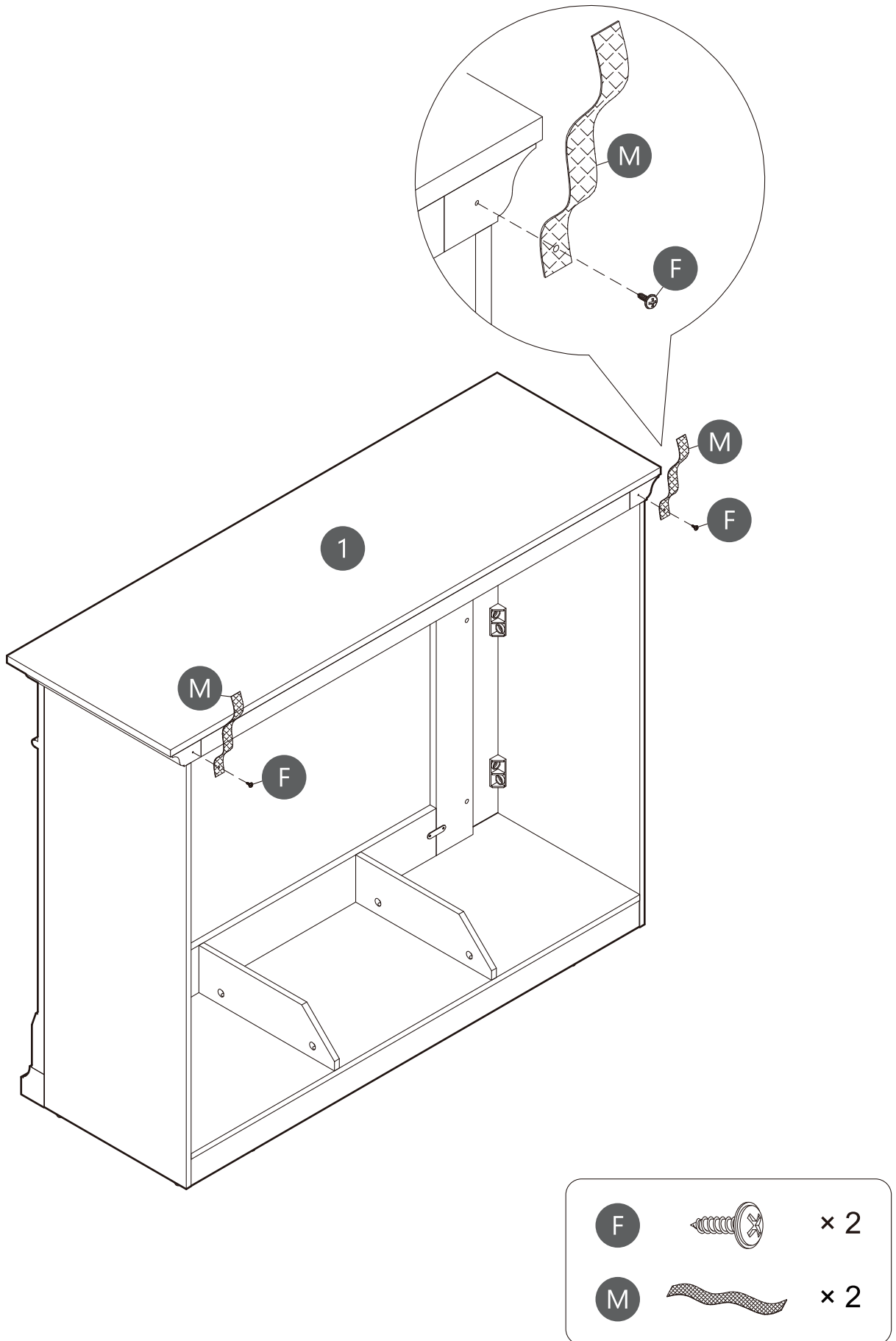
Using Screws (D&V4) attach Light Strip to Board (4).



D		× 2
V4		× 2

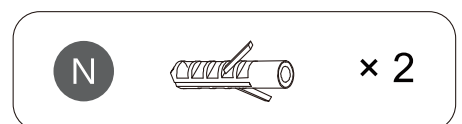
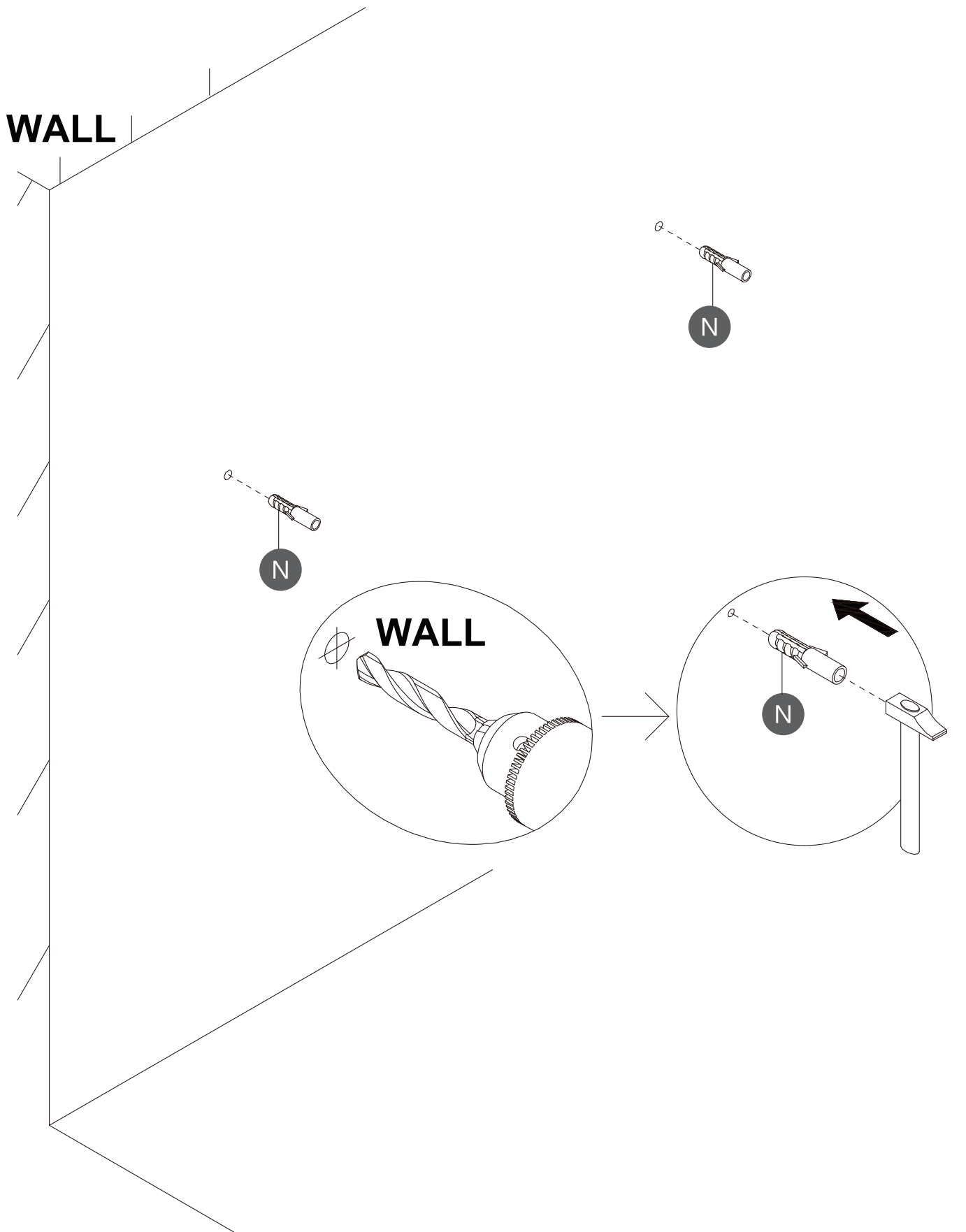
Step 23

Using Screws (F) secure Anti-tipping Belt (M) to Board (1).



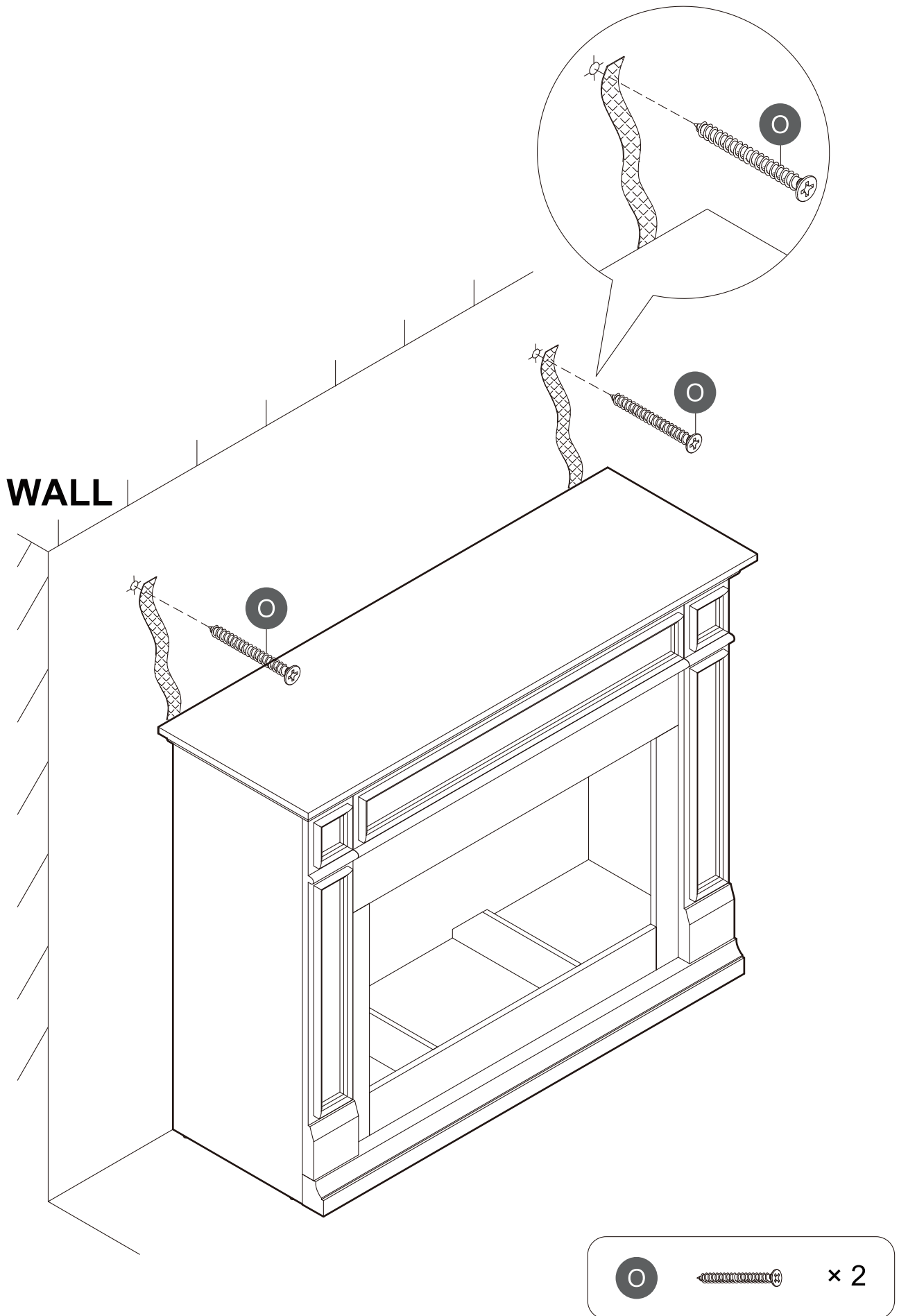
Step 24

Drill 2 holes in the wall and Hammer the (N) in.



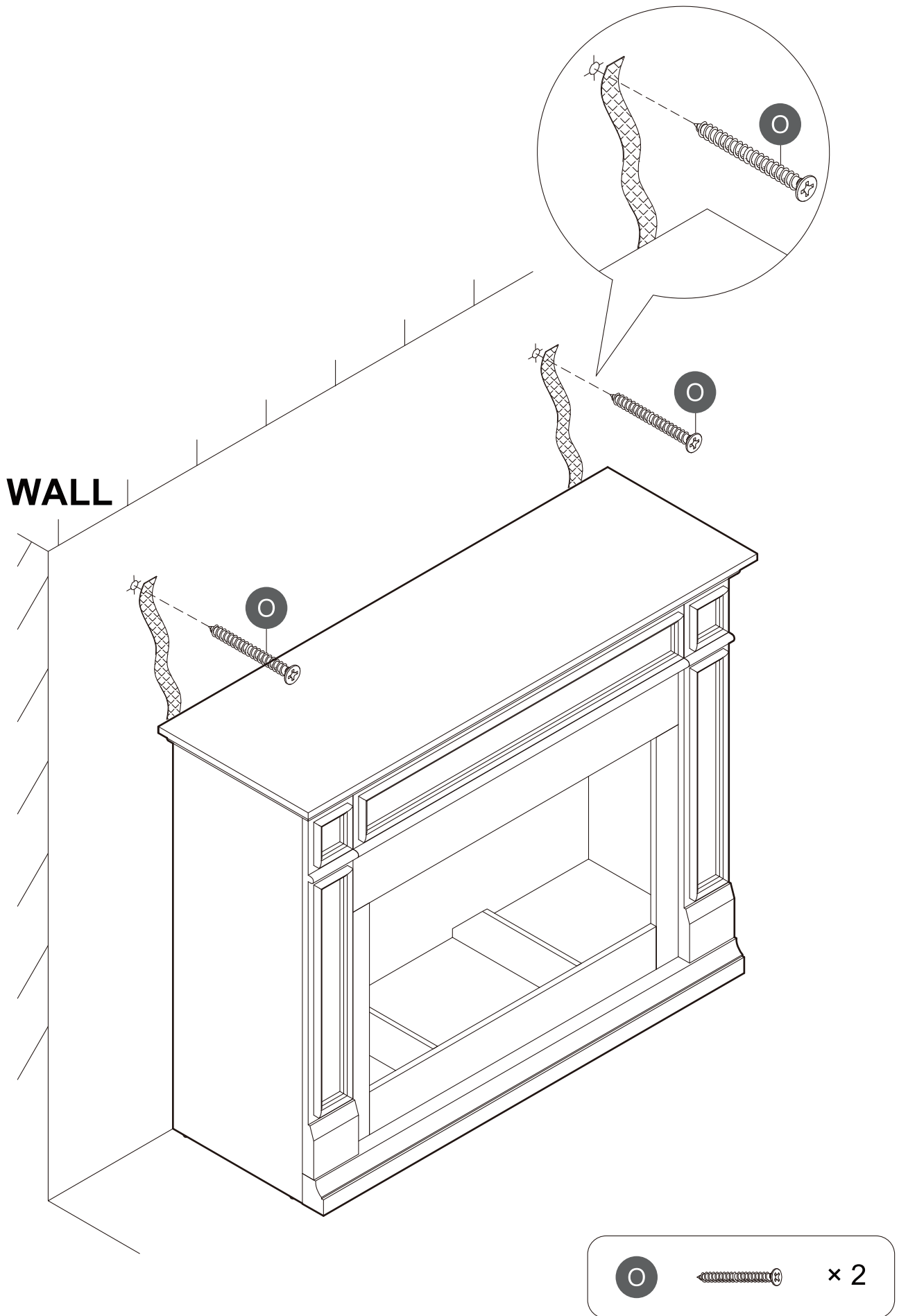
Step 25

Using Screw (O) attach Anti-tipping Belt (M) into Nut (N) to wall.

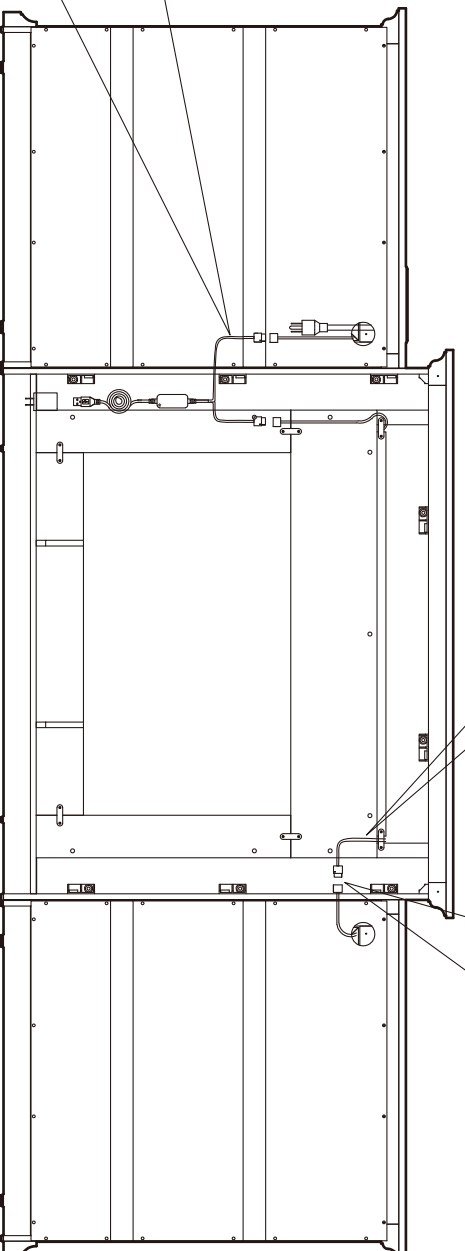
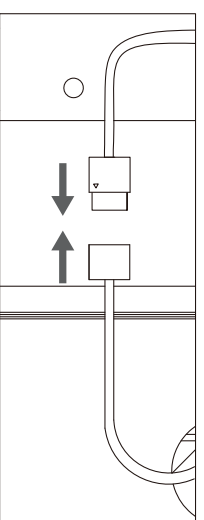
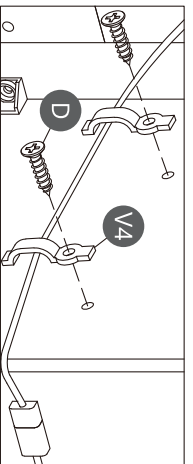
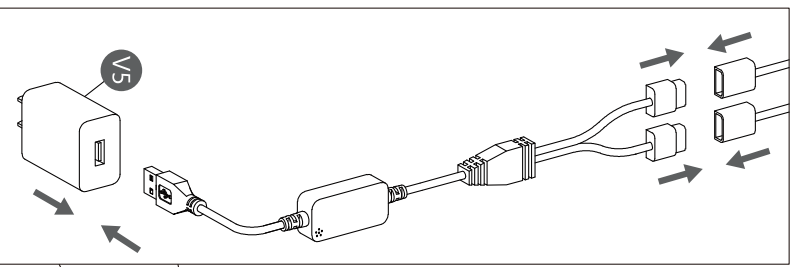
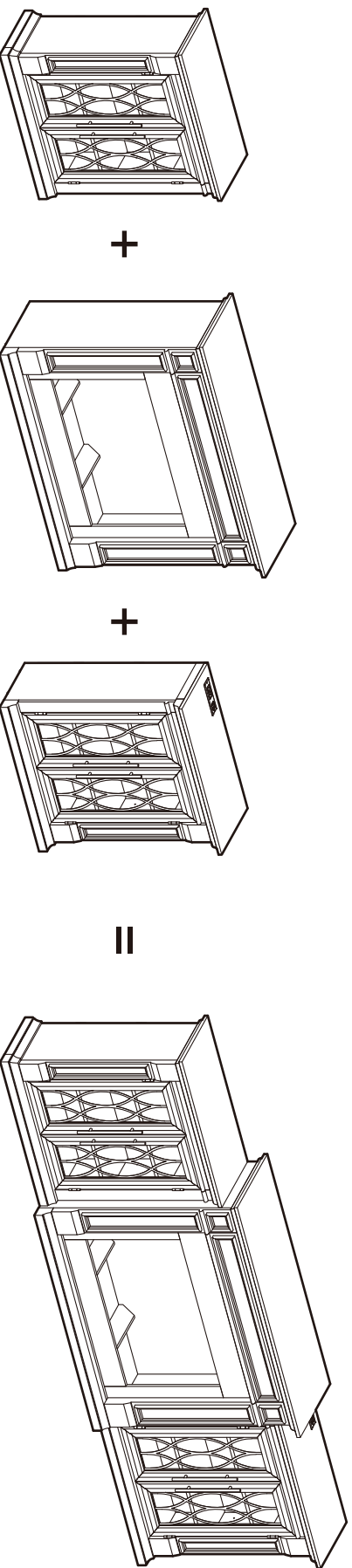


Step 25

Using Screw (O) attach Anti-tipping Belt (M) into Nut (N) to wall.



This 47-inch fireplace can be combined with the storage cabinet sold separately in our store to create a 100-inch fireplace unit. Should you wish to create this configuration, we recommend purchasing both items together. When assembling the combination: Using Screws (D&V4) attach Light Strip to Board (③), as shown.



- D
×
2
- ⌀
×
2
- V4
×
2