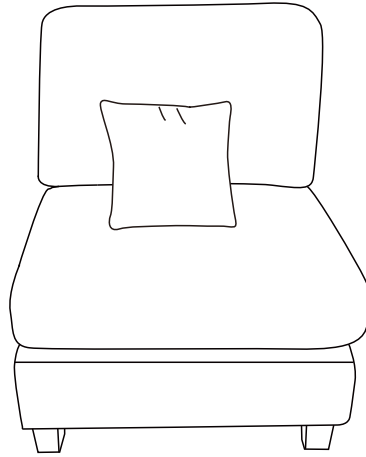
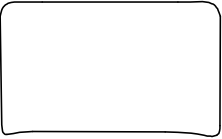
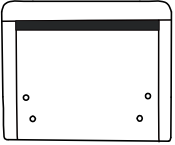

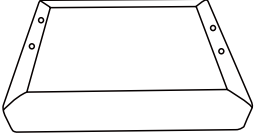
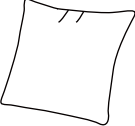
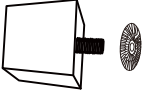


Assembly Instructions


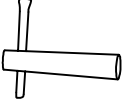
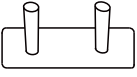
Armless module



PARTS LIST

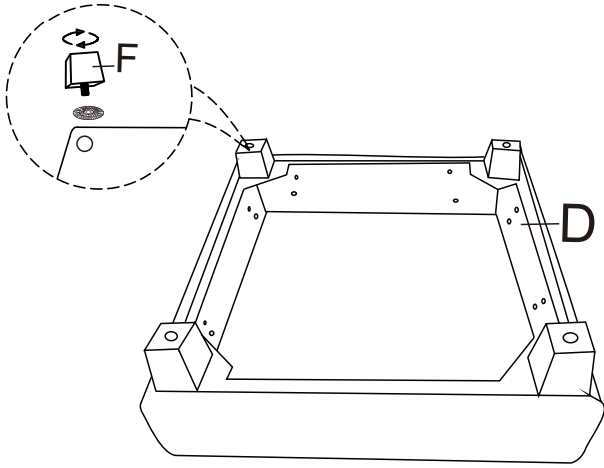
A*1	B*1	C*1
		
D*1	E*1	F*4
		

HARDWARE LIST

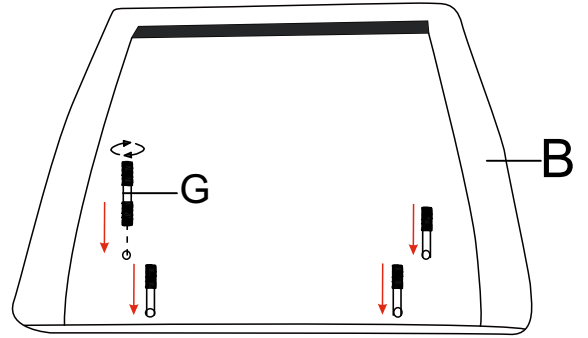
G*4	H*1	J*4
		

Assembly Steps

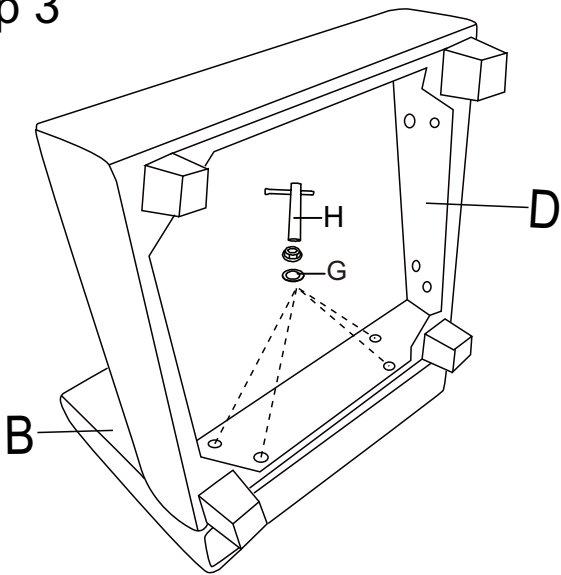
Step 1



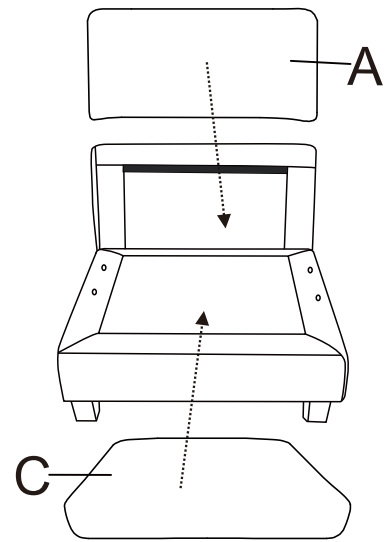
Step 2



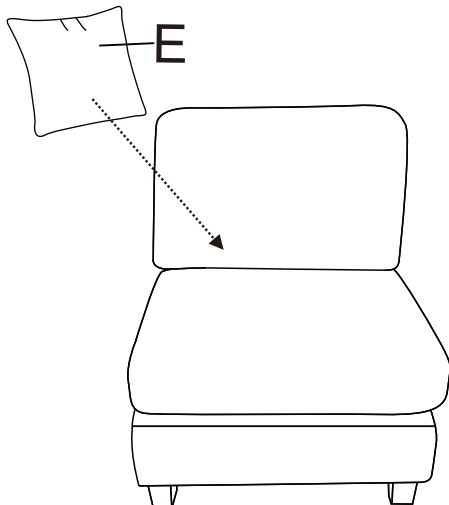
Step 3



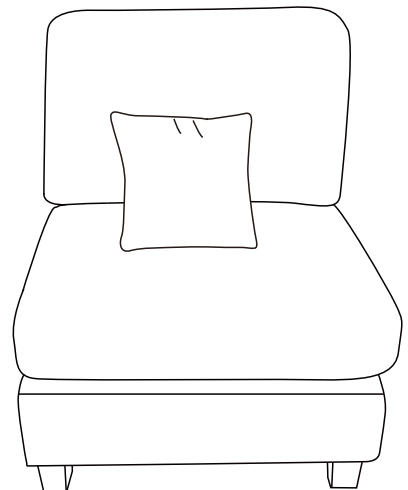
Step 4



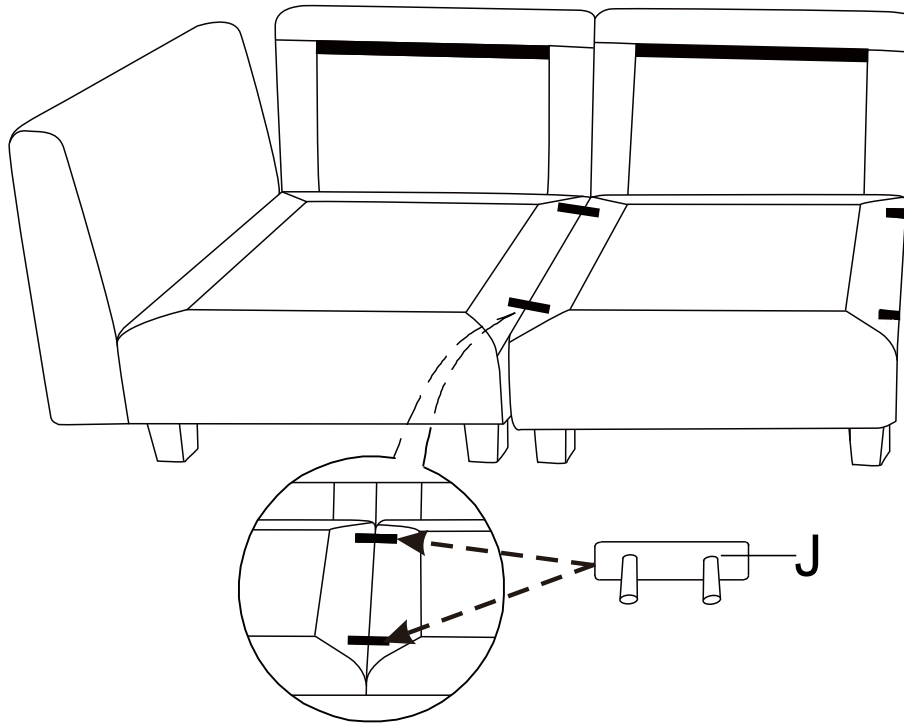
Step 5



Step 6



Assembly Steps



The connector is only used for fixing between angle and armless and between armless and armless, and the footstool has no fixing system

Toll-Free number: 1-833-273-2277