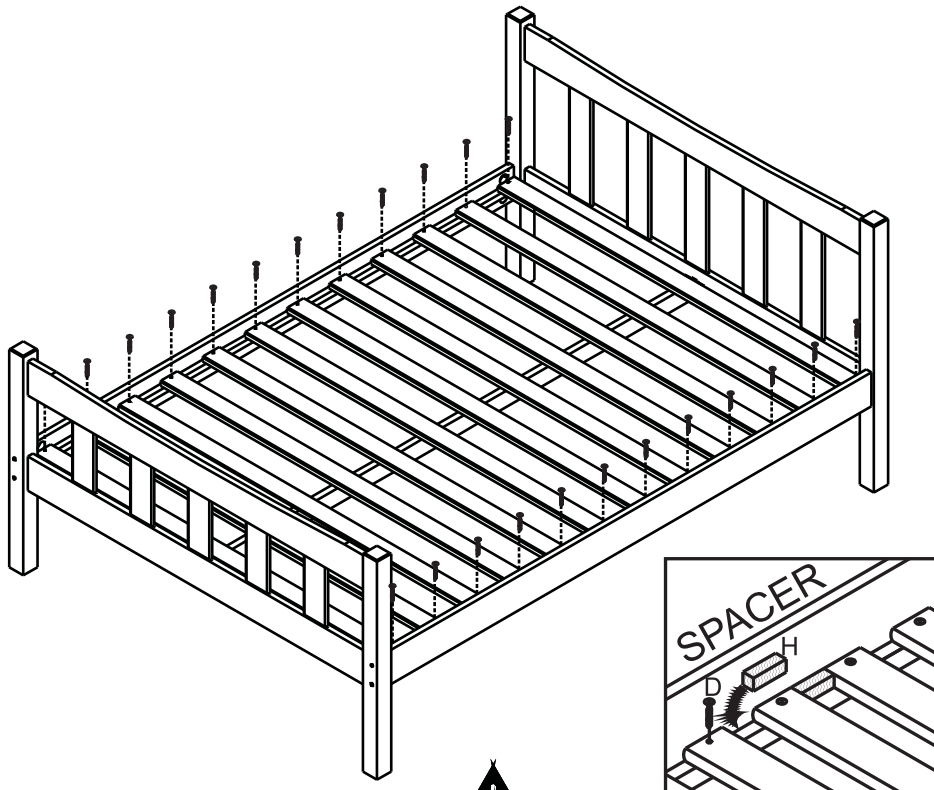


Please fix the first slats adjacent to the headboard and footboard and work towards the middle of the bed using the spacer (H) as shown to ensure correct spacing. Fix all the slats to one siderail first then push the siderail tight against the slats and fix. Please, retain the allen key (F) and use periodically to check that all bolts are tight.

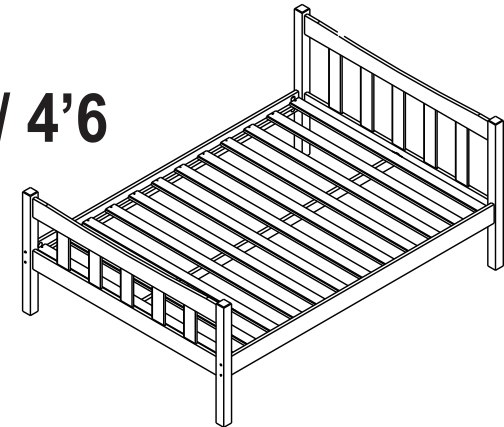
03

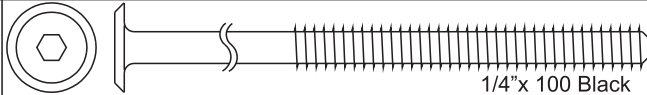
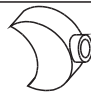
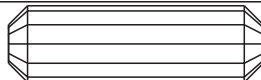


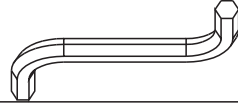
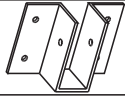
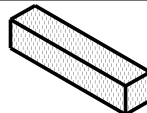


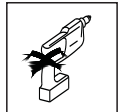
We want this product to reach you in good condition & will happily replace any broken or missing parts for you. Please contact your retailer, quoting the codes on the outer packaging, together with the part number you require.

04

4'0 / 4'6



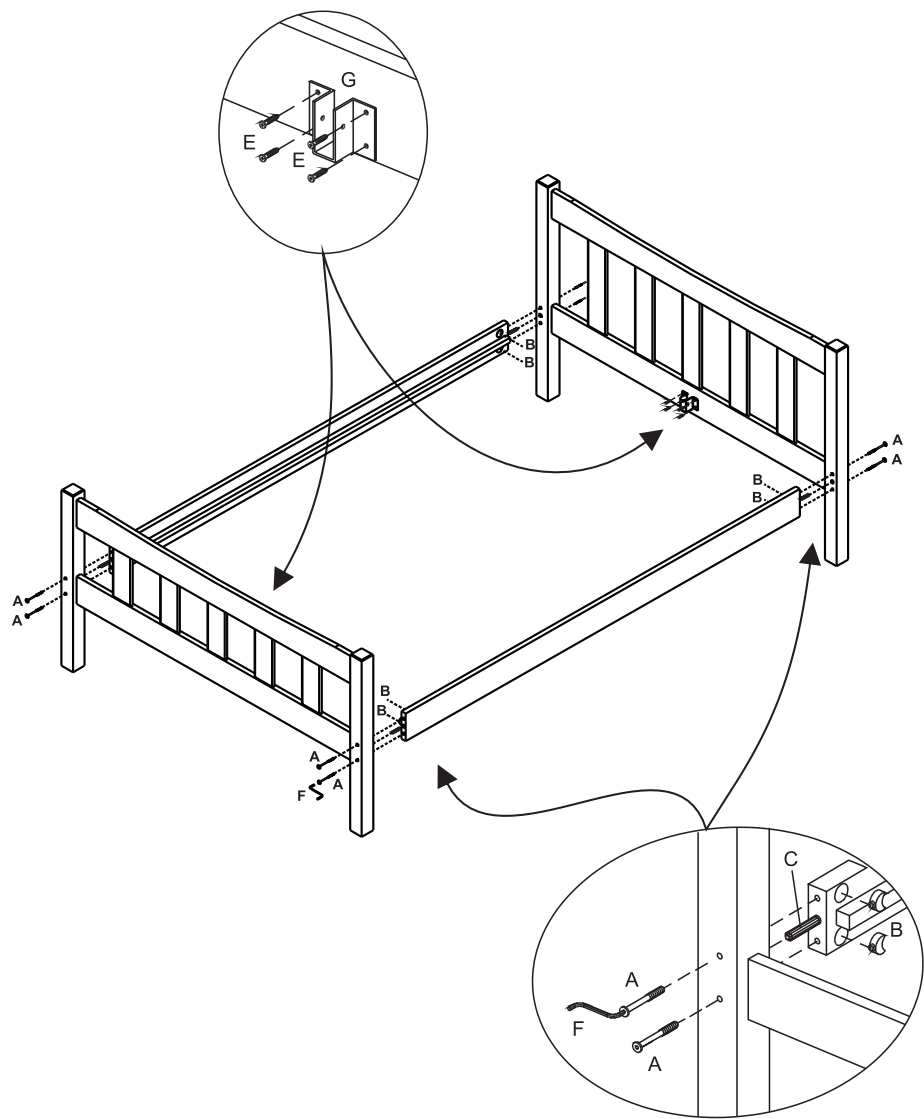
A		1/4"x 100 Black	08
B		1/4"	08
C		10x40	04
D		4.0 x 35	24
E		4,0 x 16	10
F			01
G			02
H		SPACER (WOODEN)	02



30 min

01

01



02

