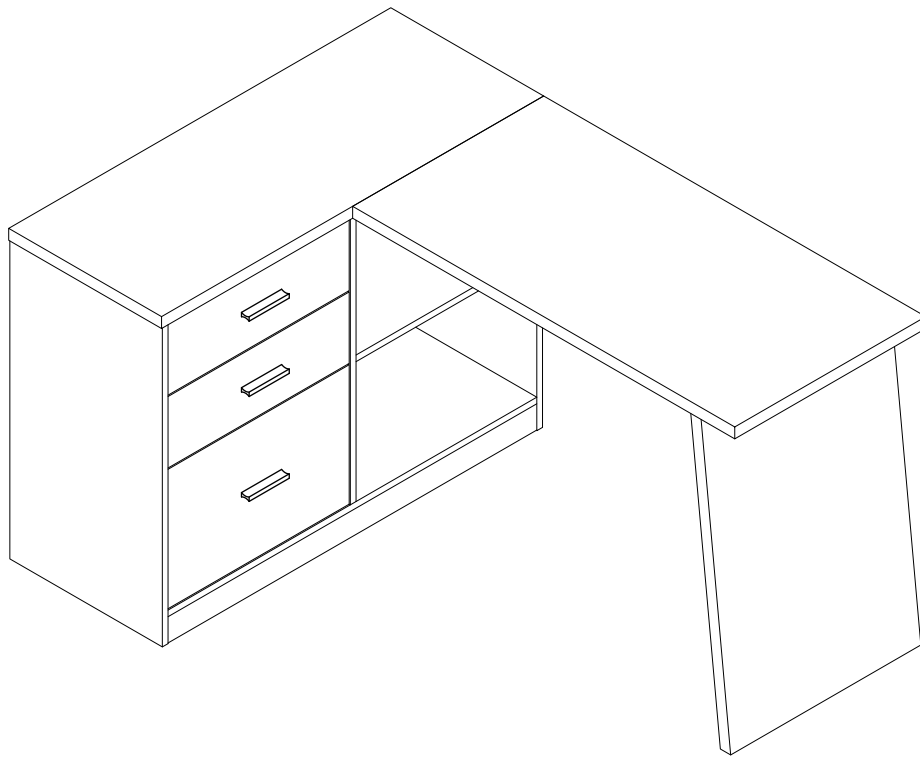


Assembly Instructions

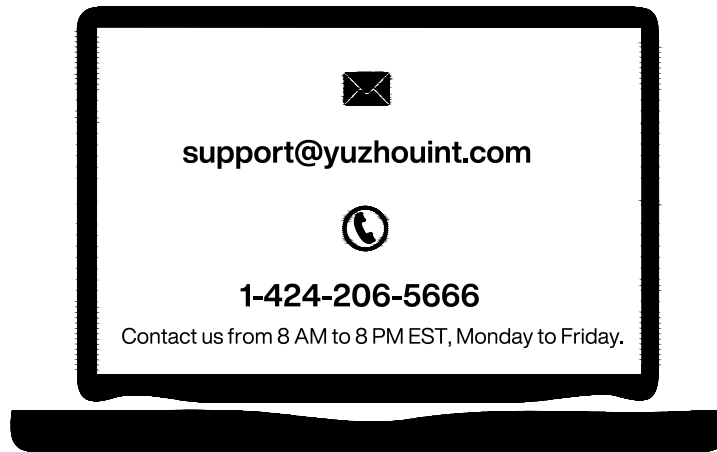


L-Shaped Desk

Model No.
HOGA-F2277

Contact Us

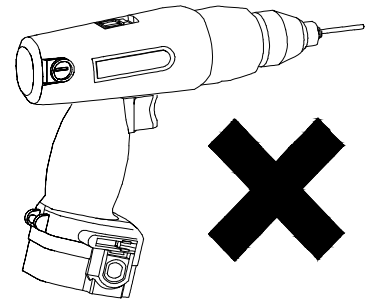
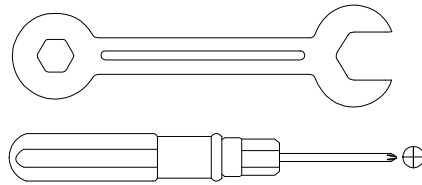
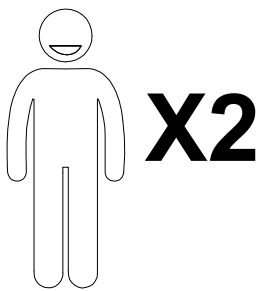
We're here to help you.



Your satisfaction is our top priority. If you encounter any issues with this product, such as missing or damaged parts, we're here to help. Please retain the original packaging and take photos of the packaging and the product, then contact us as soon as possible.

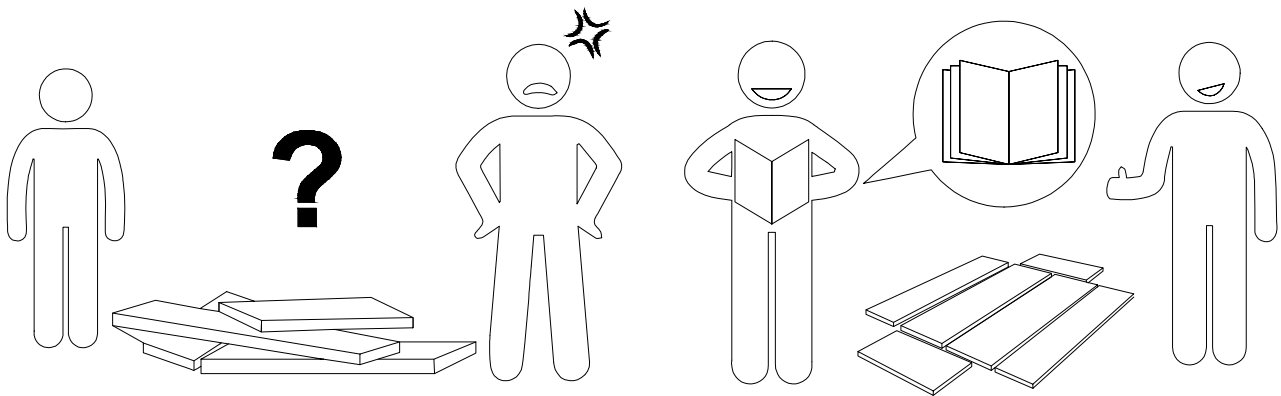
Warm Tips

1. Carefully read these instructions and keep them for future reference.
2. Check the parts list and confirm everything's there before starting assembly.
3. When assembling, put all parts on a soft, smooth surface like a carpet to avoid scratches.
4. Don't fully tighten screws until all parts are confirmed in place to avoid misalignment.



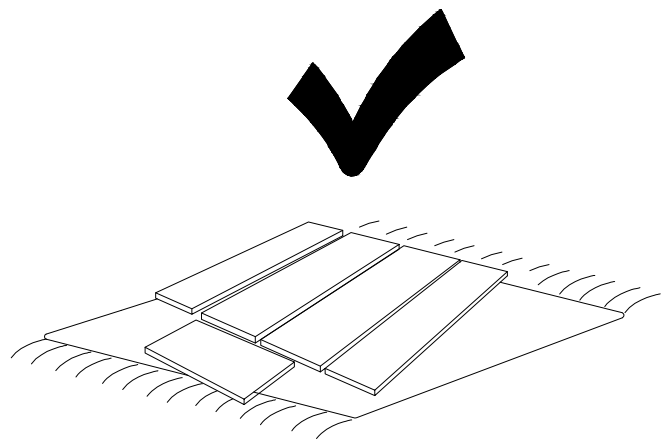
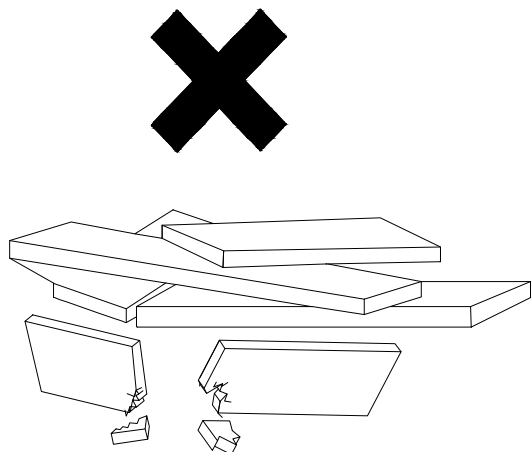
We recommend using hand tools for assembly.

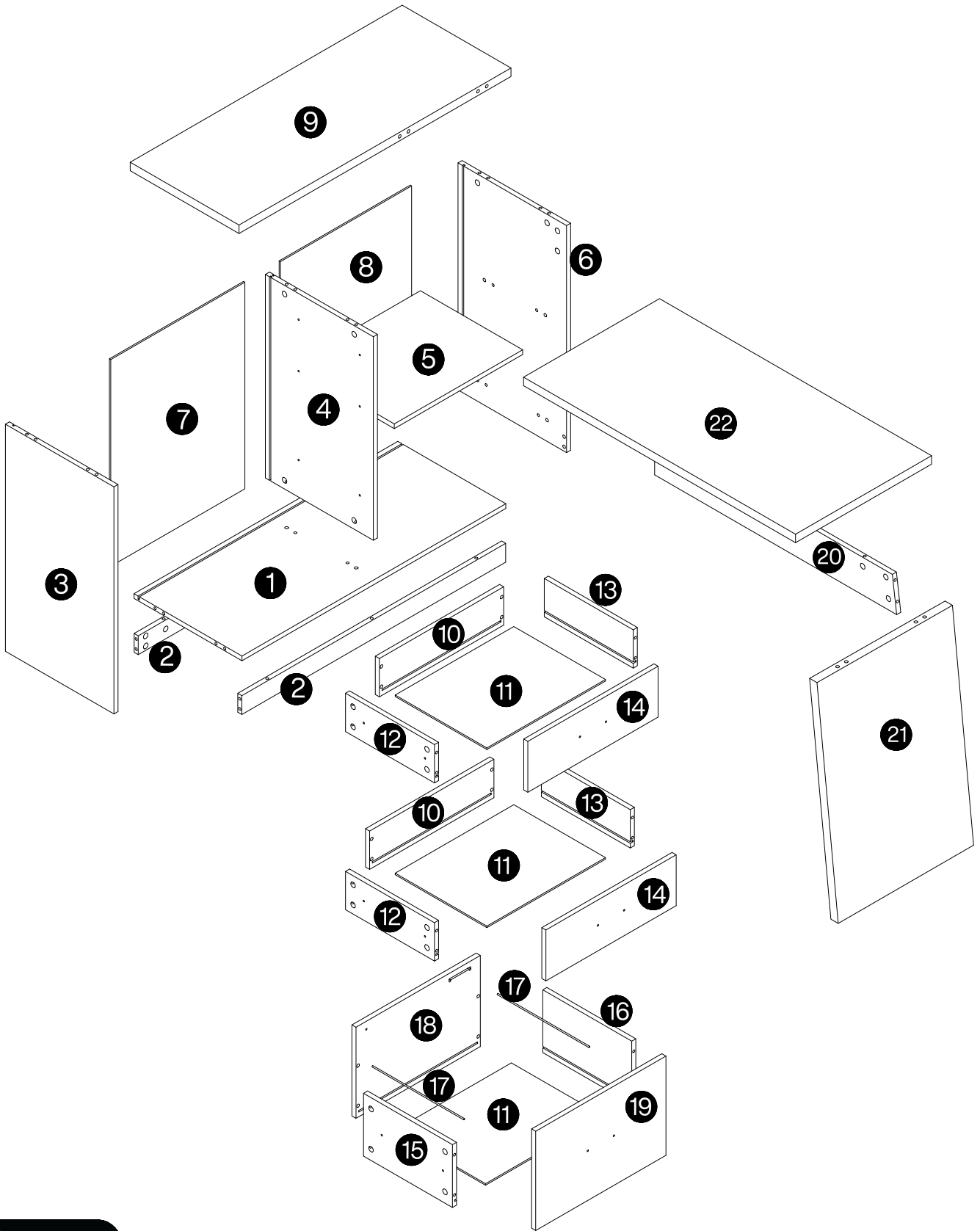
If an electric screwdriver is used, reduce power and torque to avoid damage to the product.



AVOID SCRATCHES

In order to avoid scratching, this furniture should be assembled on a soft surface, such as a rug.

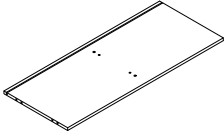
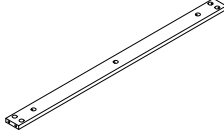
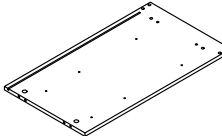
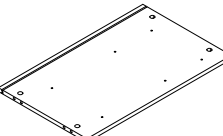
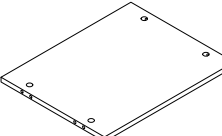
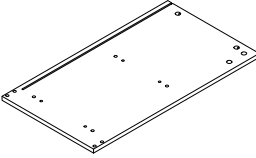
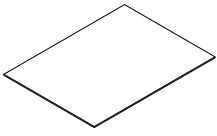
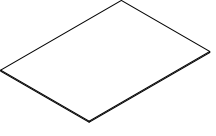
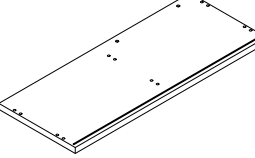
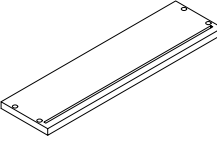
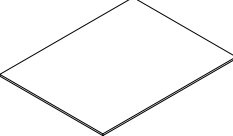
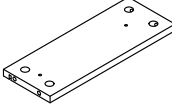
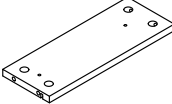
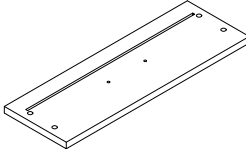
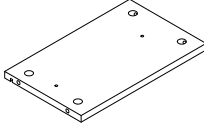
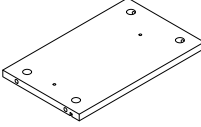
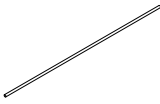
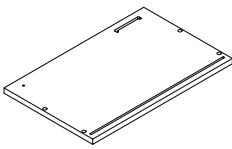
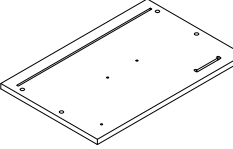
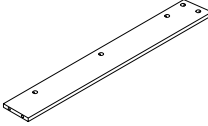
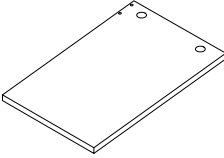
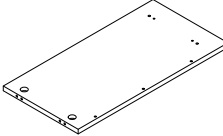




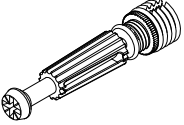
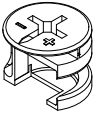
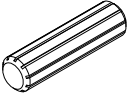
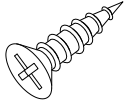

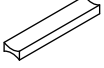
⚠ Caution



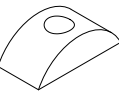
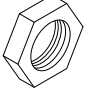


Make sure all parts are included. Most board parts are labeled or stamped on the raw edge. Contact us for a free replacement if you encounter any damaged or missing parts.

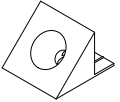
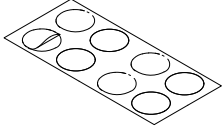
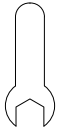

Parts List

<p>1</p>  <p>1 pc</p>	<p>2</p>  <p>2 pcs</p>	<p>3</p>  <p>1 pc</p>	<p>4</p>  <p>1 pc</p>	<p>5</p>  <p>1 pc</p>
<p>6</p>  <p>1 pc</p>	<p>7</p>  <p>1 pc</p>	<p>8</p>  <p>1 pc</p>	<p>9</p>  <p>1 pc</p>	<p>10</p>  <p>2 pcs</p>
<p>11</p>  <p>3 pcs</p>	<p>12</p>  <p>2 pcs</p>	<p>13</p>  <p>2 pcs</p>	<p>14</p>  <p>2 pcs</p>	<p>15</p>  <p>1 pc</p>
<p>16</p>  <p>1 pc</p>	<p>17</p>  <p>2 pcs</p>	<p>18</p>  <p>1 pc</p>	<p>19</p>  <p>1 pc</p>	<p>20</p>  <p>1 pc</p>
<p>21</p>  <p>1 pc</p>	<p>22</p>  <p>1 pc</p>			

Hardware List

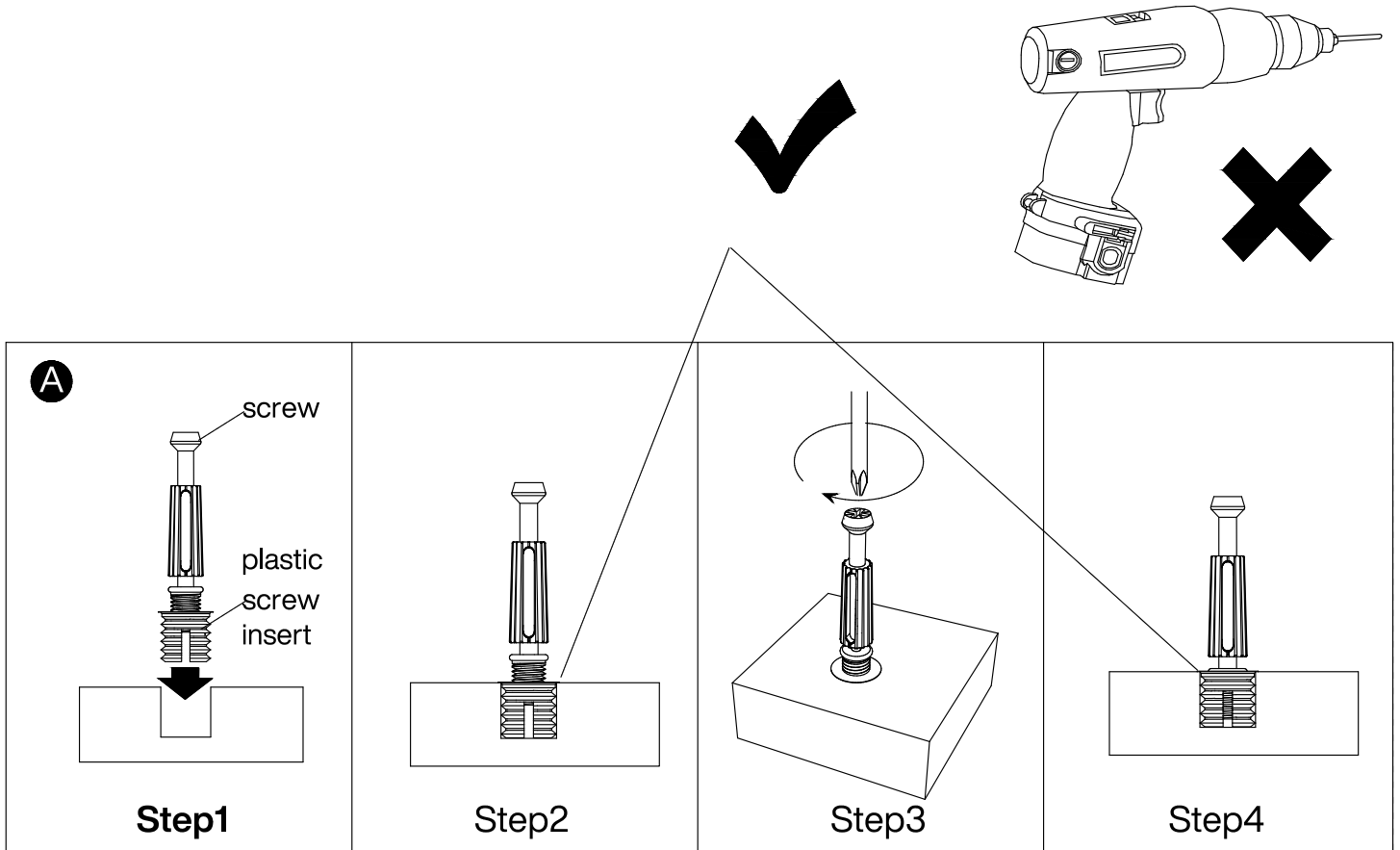
A	B	C	D	E	F
					
M6x40mm	Ø15x12mm	Ø8x30mm	Ø3.5x14mm	M4x18mm	96mm
61 pcs	61 pcs	20 pcs	32 pcs	6 pcs	3 pcs

G	H	I	J	K	L
					
Ø10x11mm	Ø8x80mm	M8	M8	14"	
2 pcs	4 pcs	4 pcs	4 pcs	3 sets	10 pcs

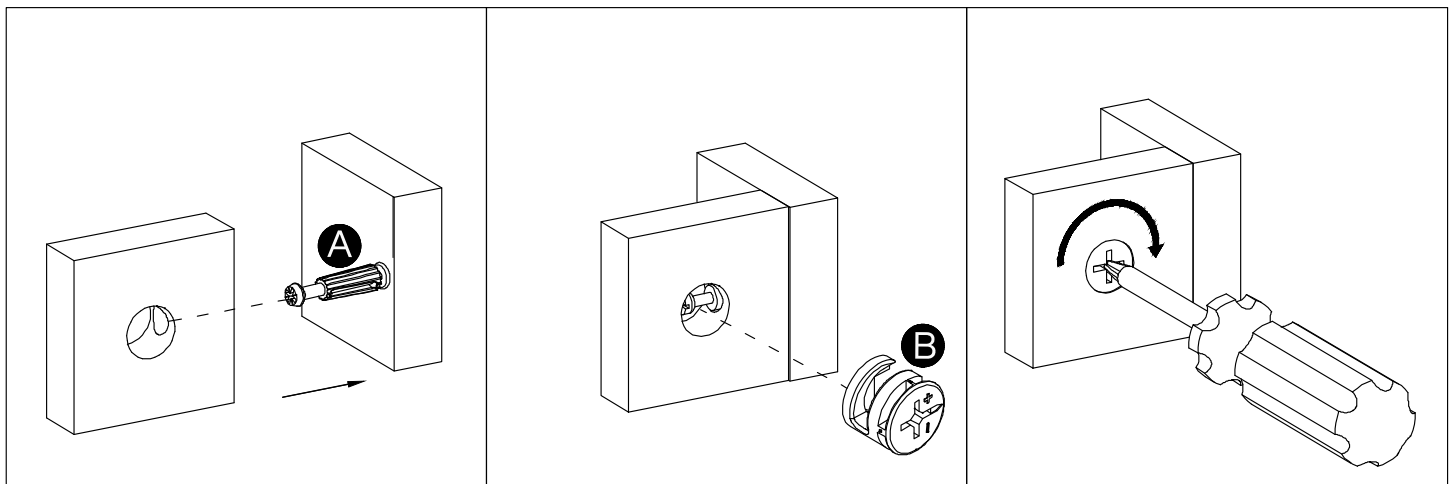
M	N	O			
					
	Ø21	M8 Wrench			
8 pcs	11pcs	1pc	1pc		

Installation of Cams and Pins

Step 1-2: Align the plastic part with the mounting hole and press it in. If you can't press it in, loosen the screw counter clockwise or completely remove the screw from the plastic part and try again.
Step 3-4: After pressing the plastic part into place, use a screwdriver to tighten the screw clockwise.



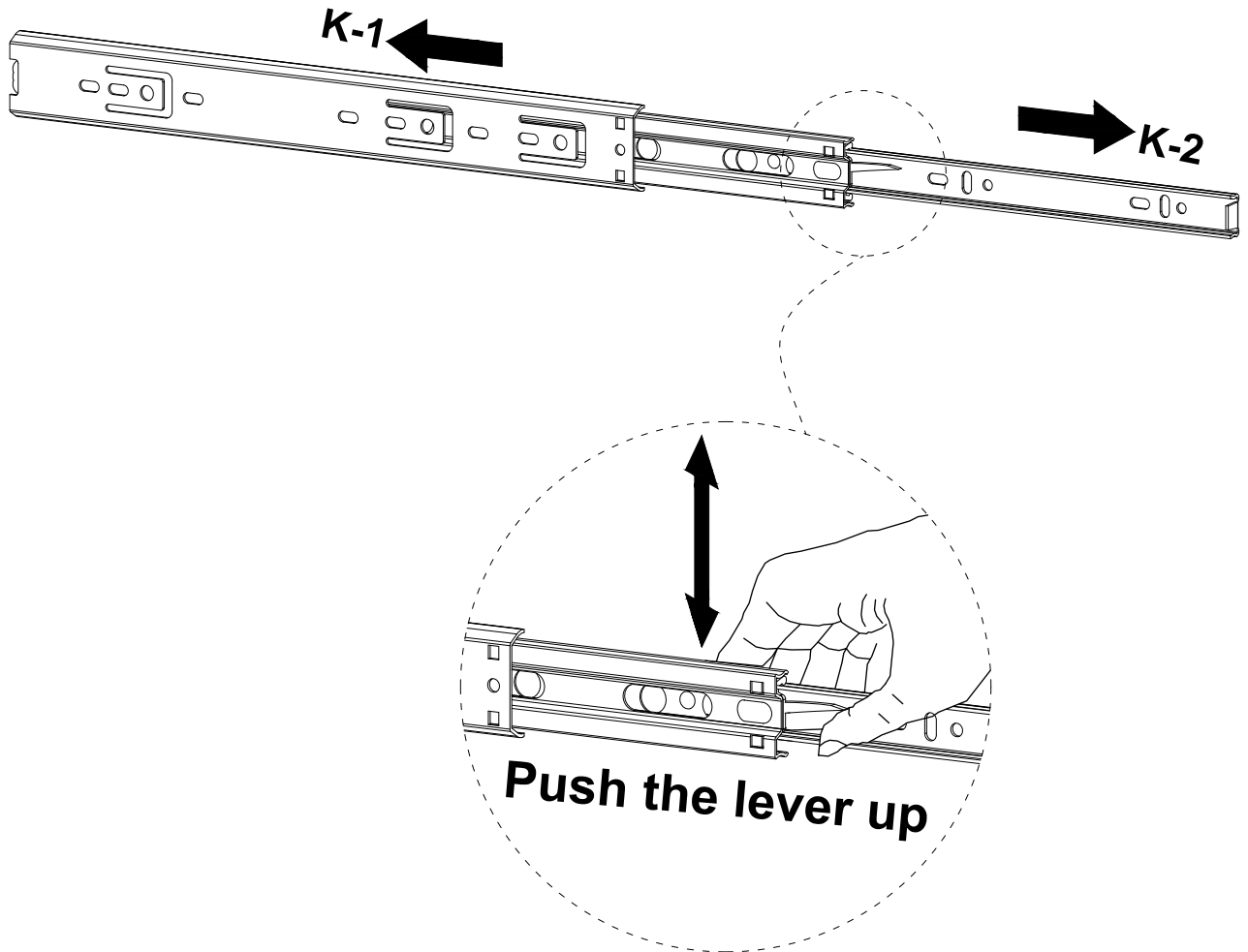
Screw the pin into the hole. Set the cams correctly by aligning the head of the cams with the lock pins. Lock the cam by turning the cam head with a screwdriver until it is tightened. Please do not use an electric screwdriver to assemble the unit.



Please split component "K" into "K-1" and "K-2" before assembling the slide rail component, and then proceed to the next step of assembly

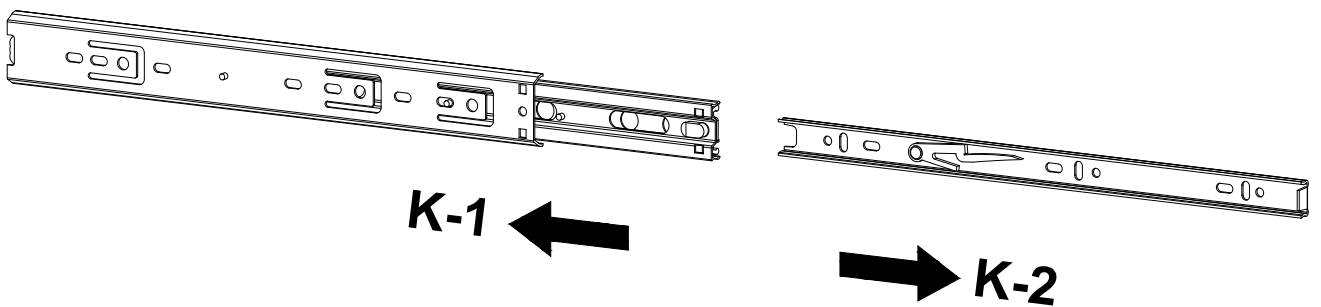
Step 1

Pull apart component "K" to each side, and then gently push up the lever of component "K-2"

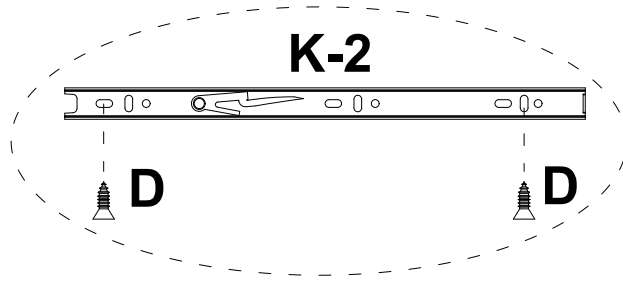




Step 2

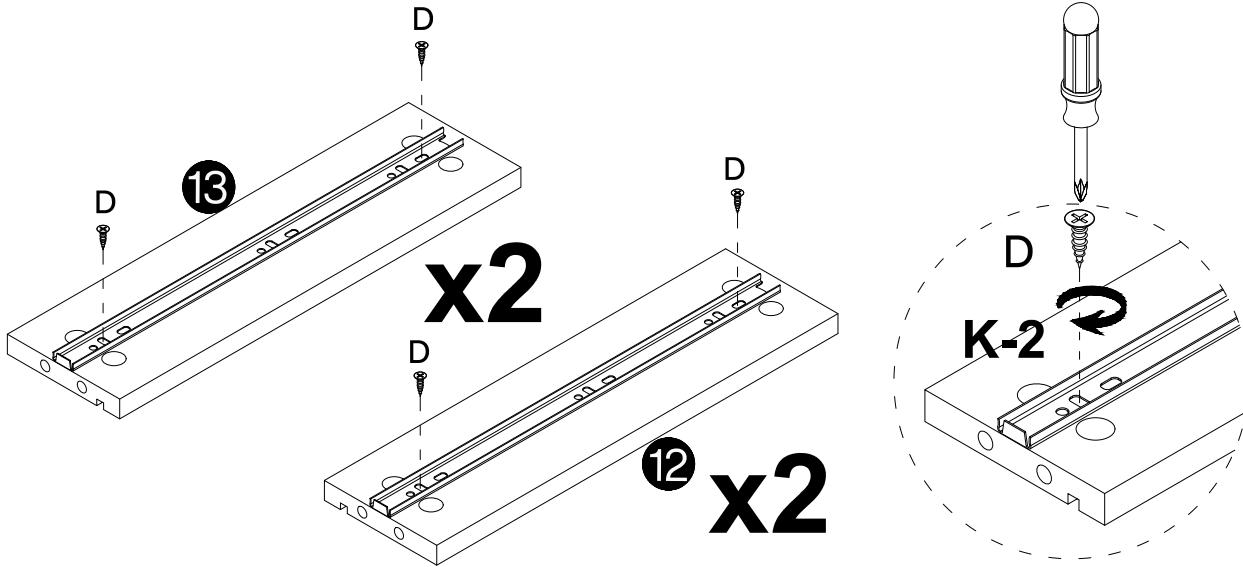
Split component "K-1" and "K-2"



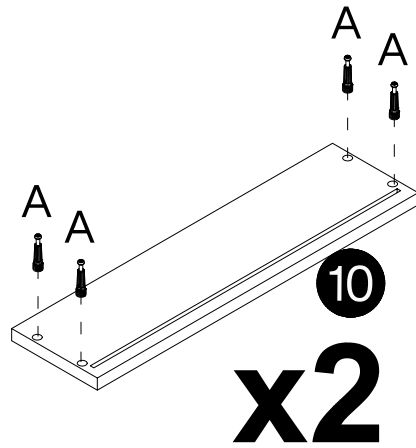
1




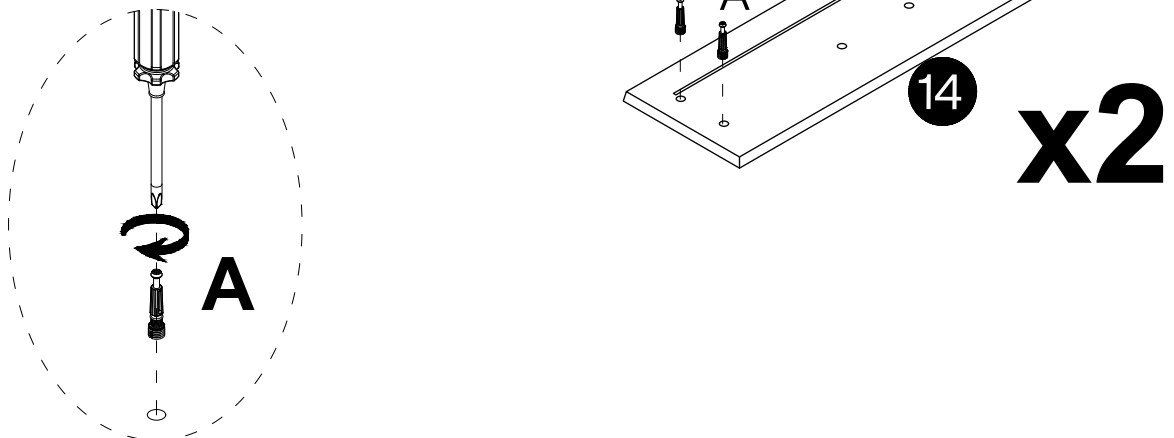
K-2	D
	
4 pcs	8pcs




2



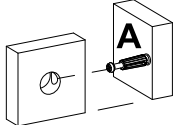
A

M6x40mm
16pcs



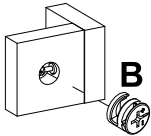
3

B

Ø15x12mm
8pcs

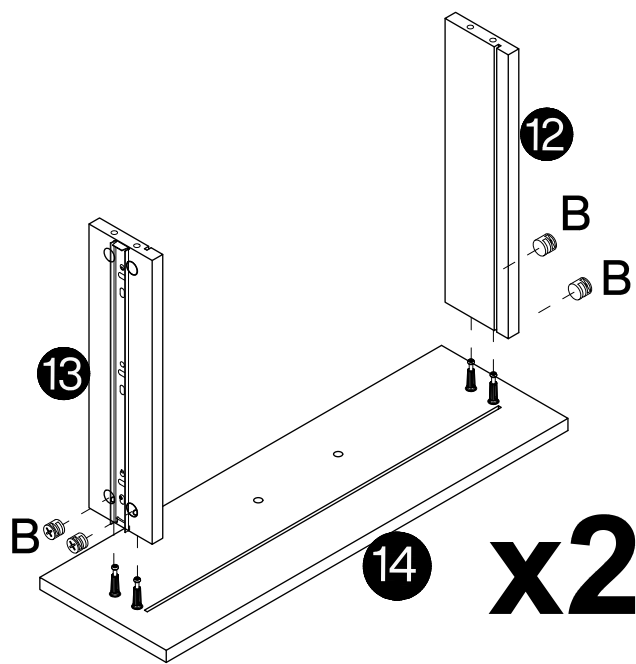
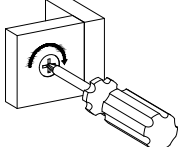
Step 1



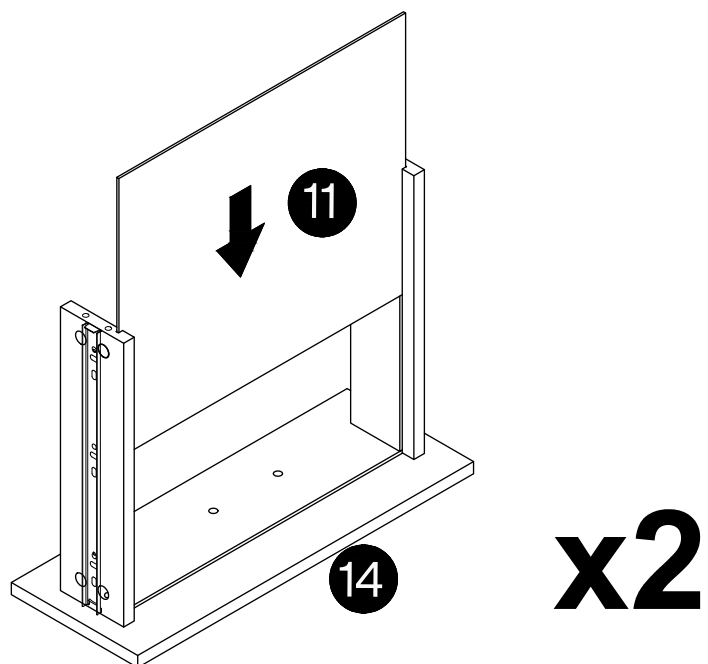
Step 2




Step 3



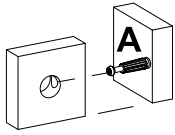
4



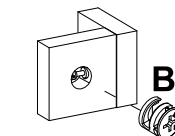
5

B

Ø15x12mm
8pcs

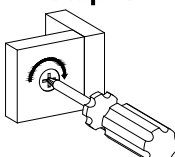
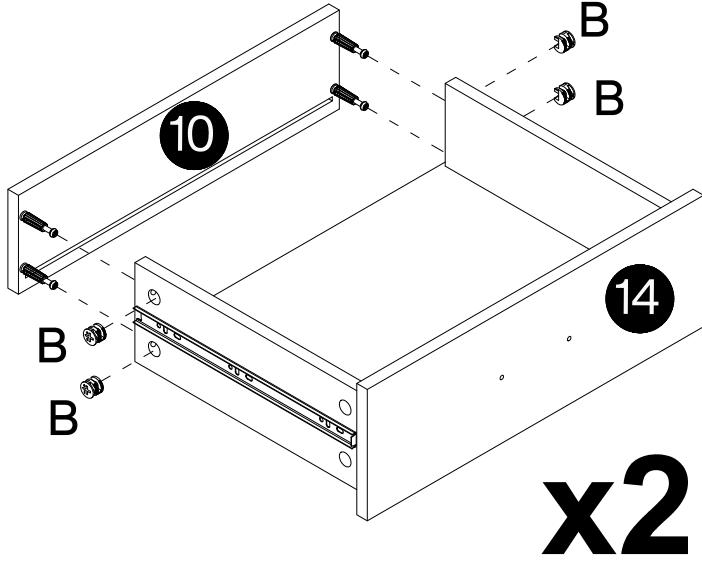
Step 1



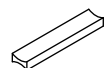

Step 2

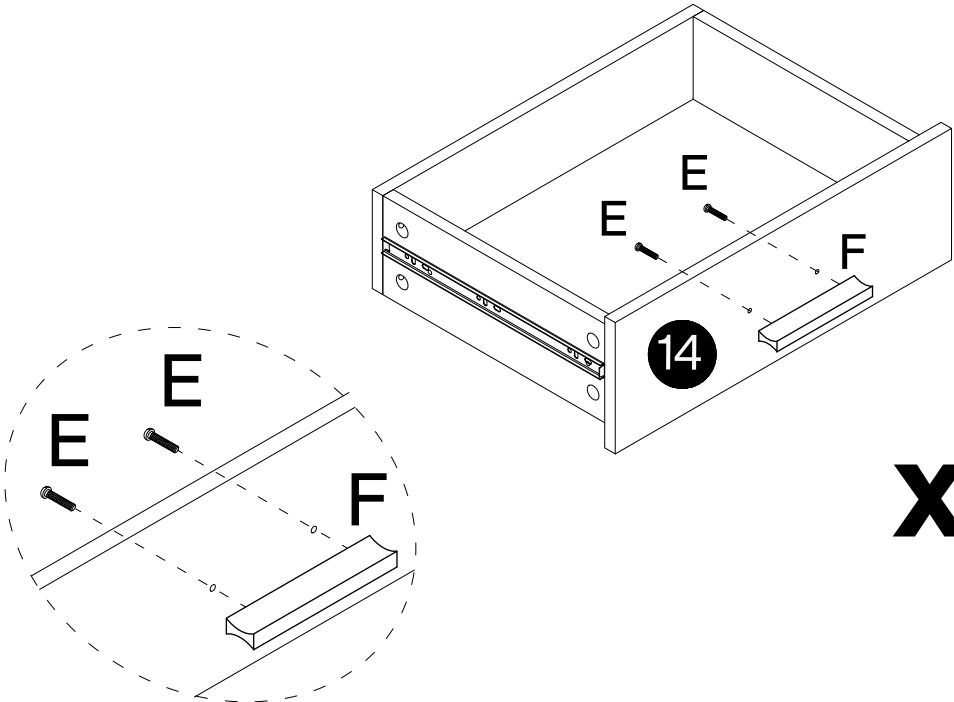


Step 3

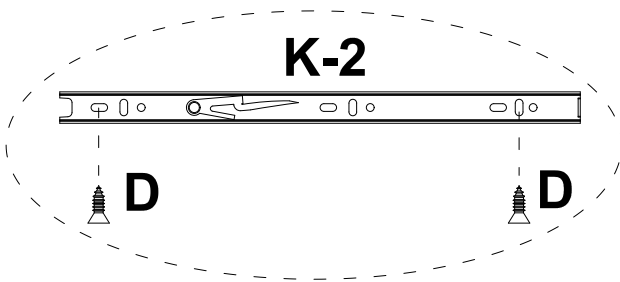




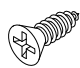
6

F	E
	
2pcs	M4x18mm
	4pcs

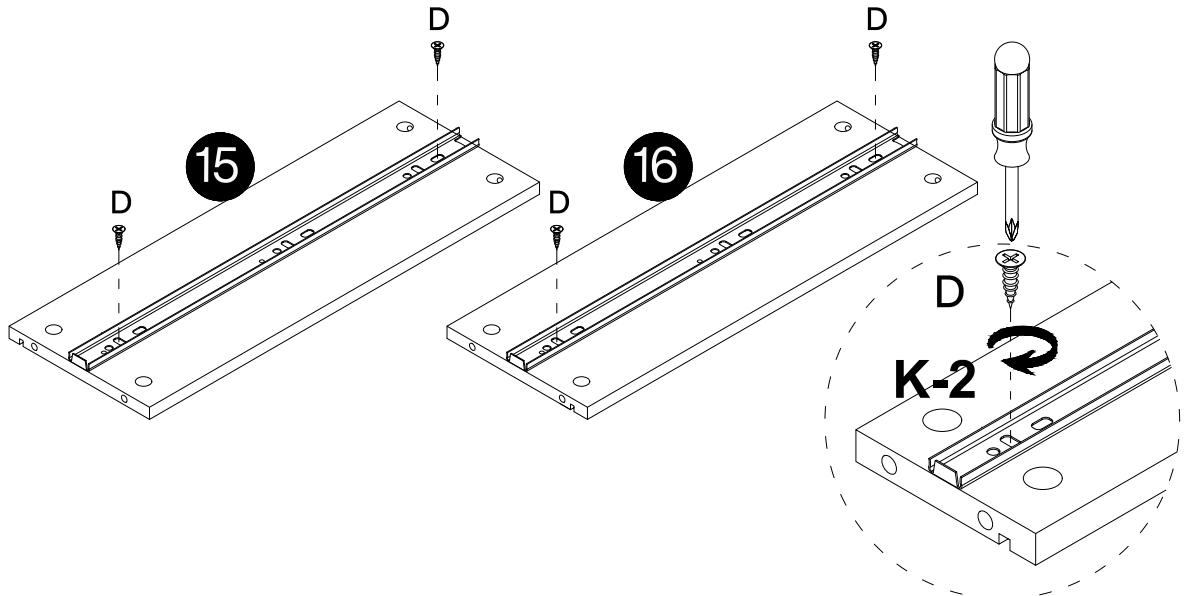


7

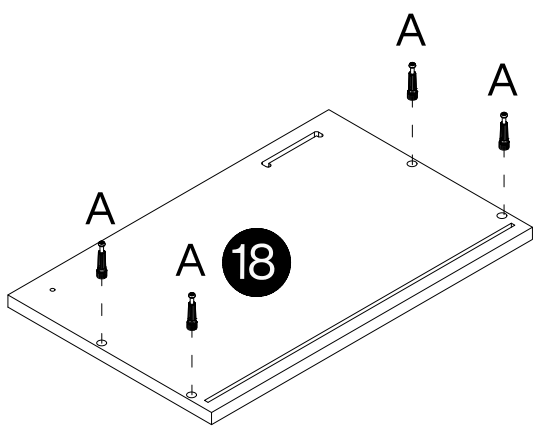



K-2	D
	
2 pcs	4 pcs

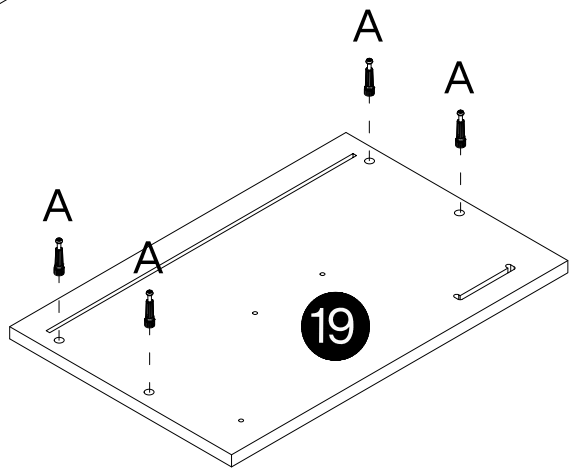
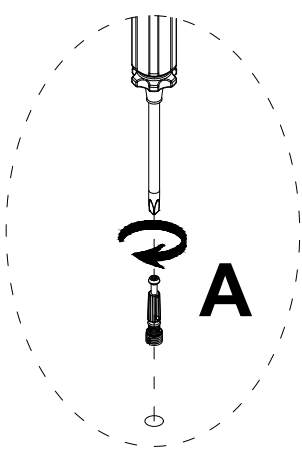
Ø3.5x14mm



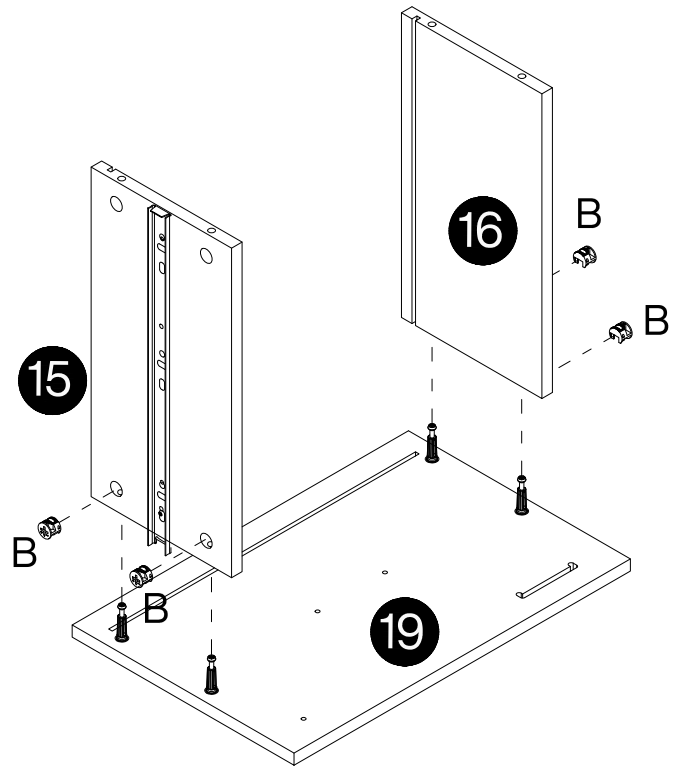
8

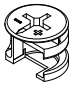


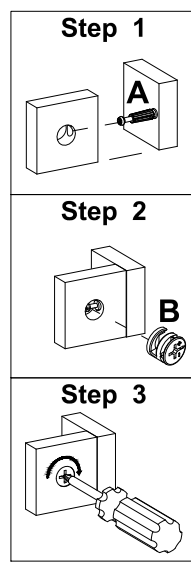
A

M6x40mm
8 pcs



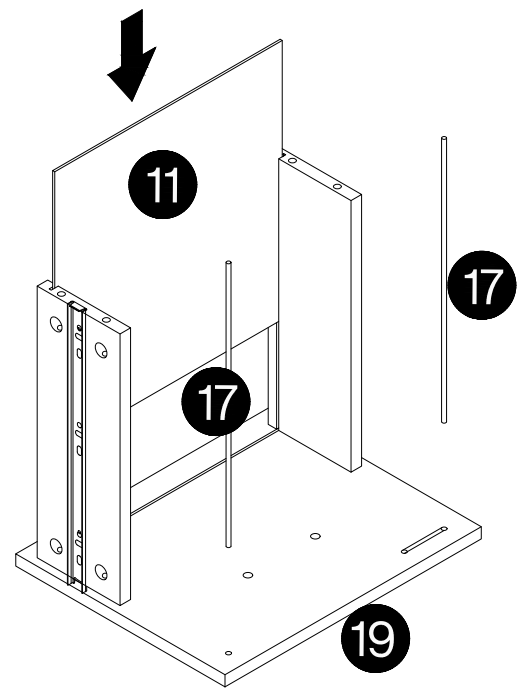
9



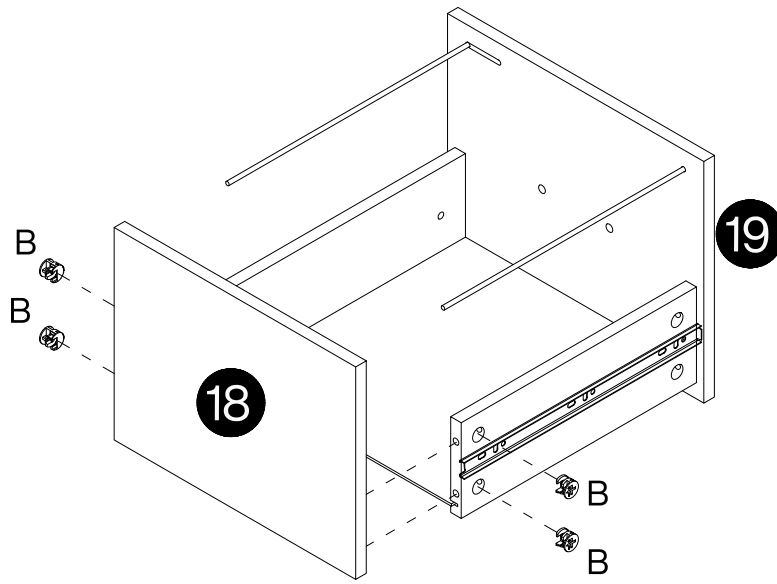
B

Ø15x12mm
4 pcs

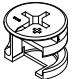


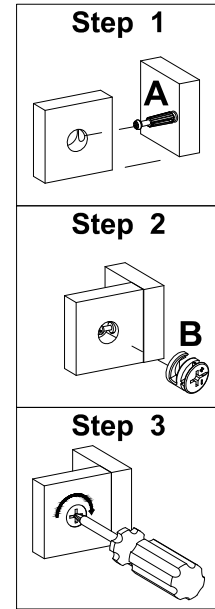
10



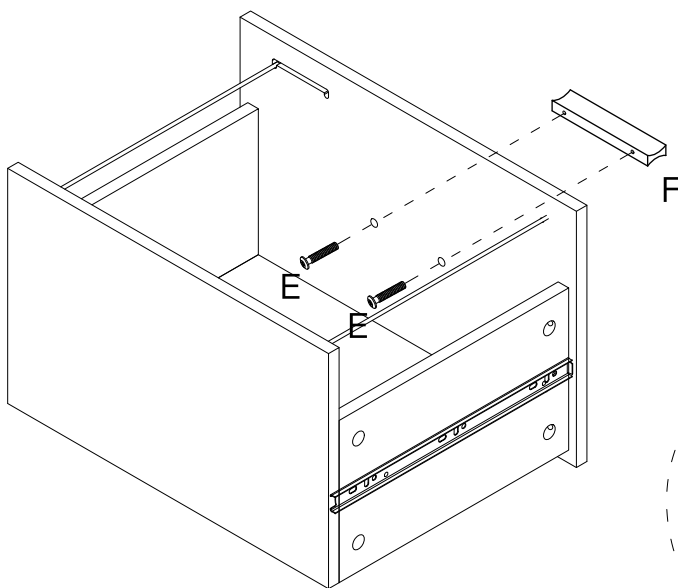
11

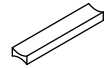



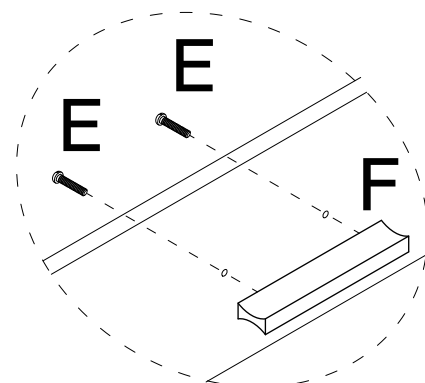
B

Ø15x12mm
4 pcs



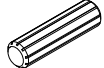
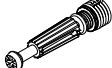
12

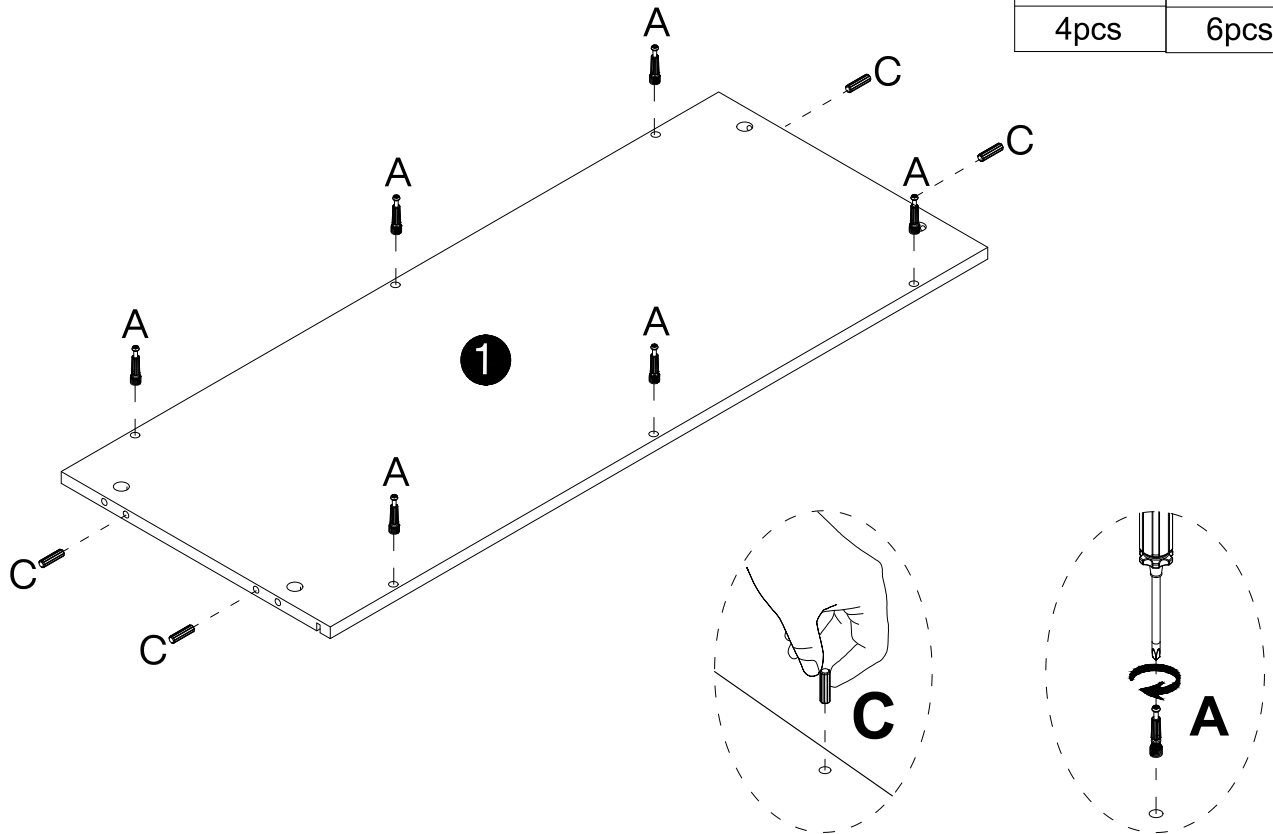


F	E
	
1pc	M4x18mm
1pc	2pcs




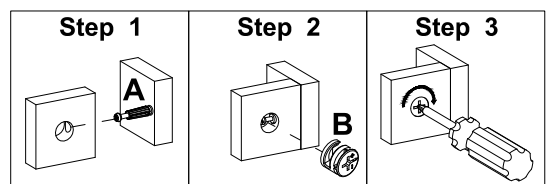
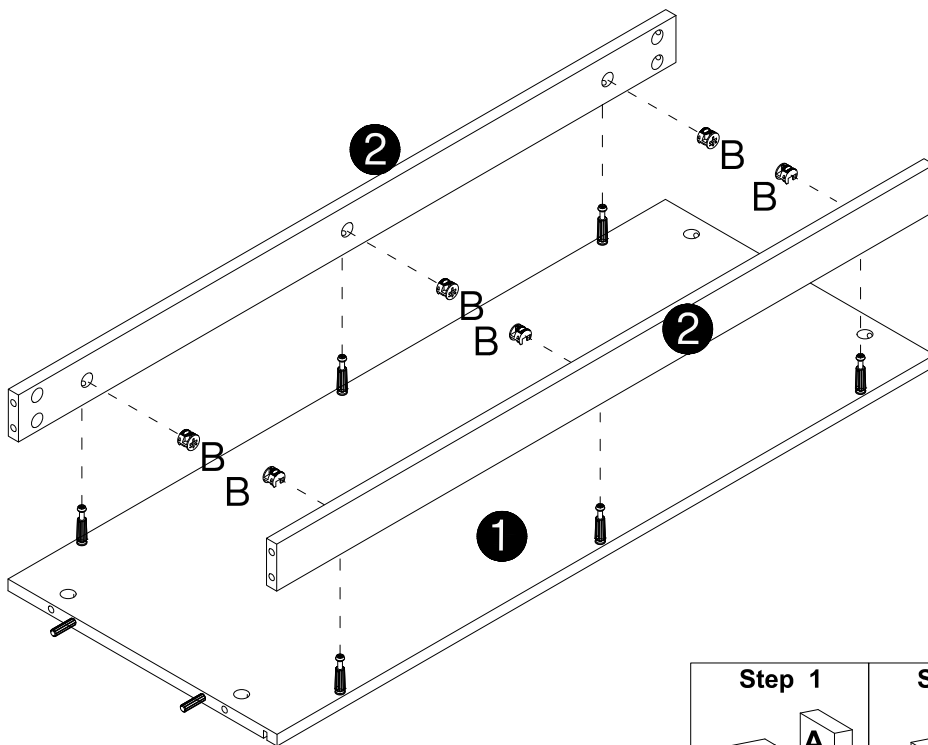
13

C	A
	
Ø8x30mm	M6x40mm
4pcs	6pcs

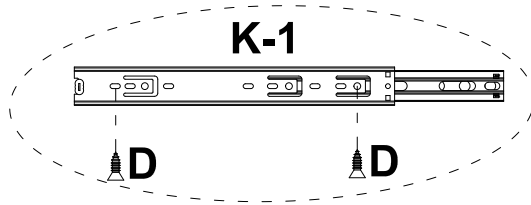



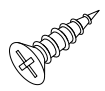
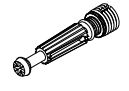
14

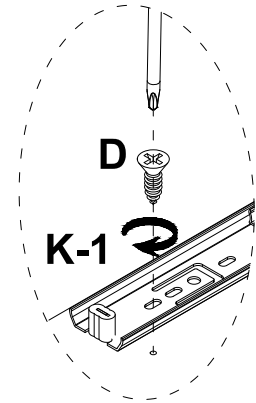
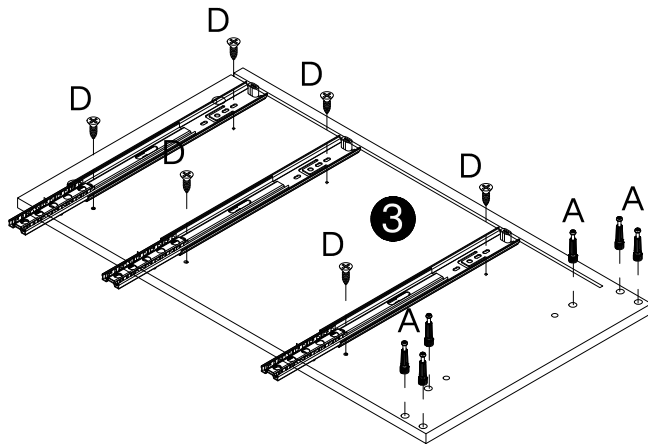
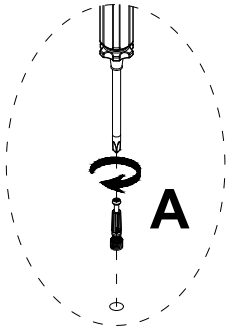
B

Ø15x12mm
6pcs



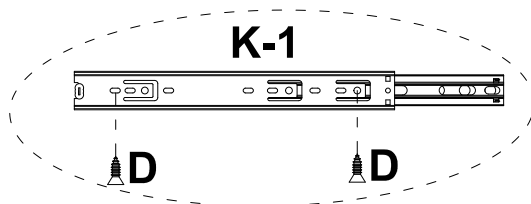
15






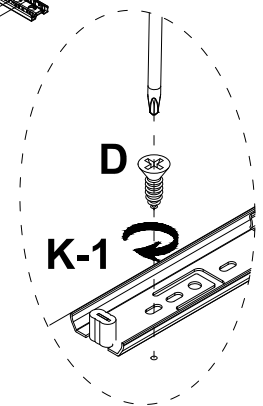
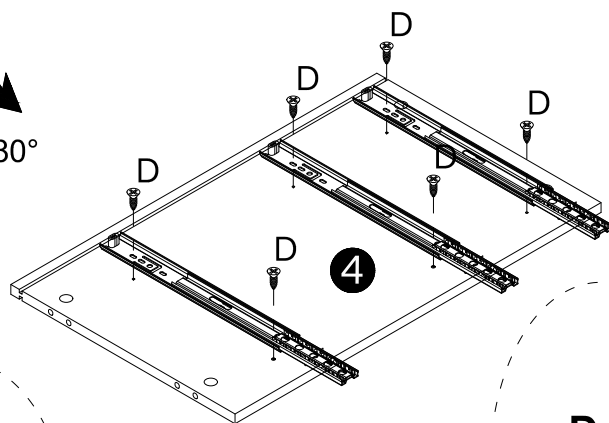
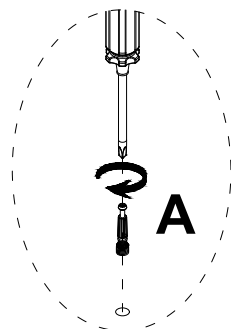
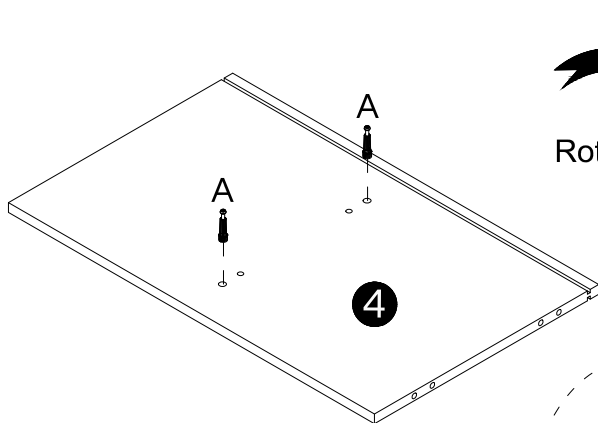
K-1	D	A
	 Ø3.5x14mm	 M6x40mm
3pcs	6pcs	6pcs




16

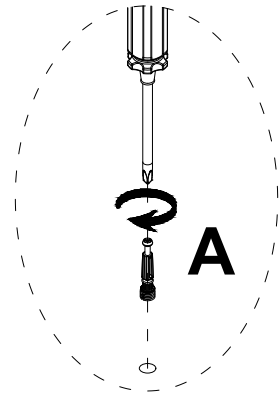
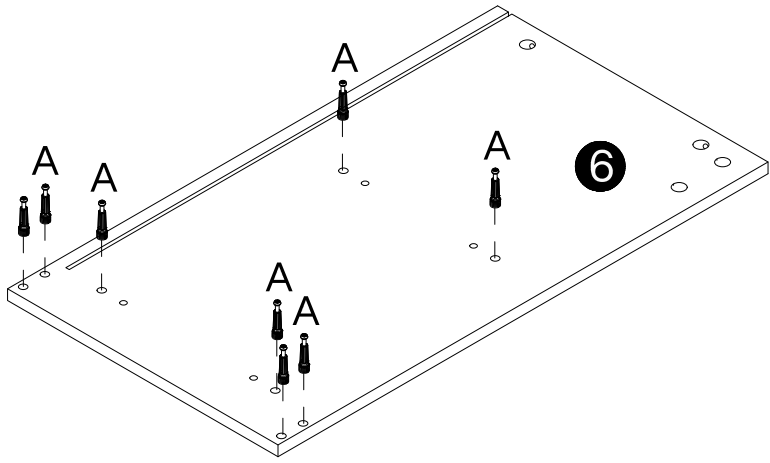


K-1	D	A
	 Ø3.5x14mm	 M6x40mm
3pcs	6pcs	2pcs

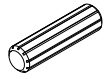


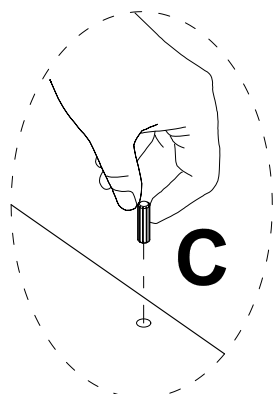
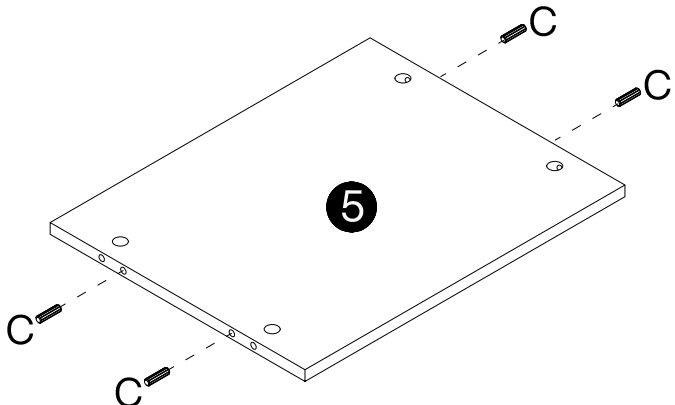
17

A

M6x40mm
8pcs

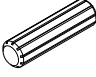



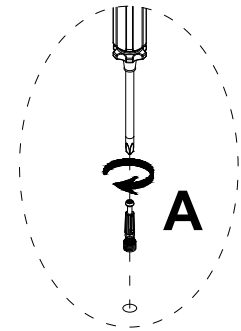
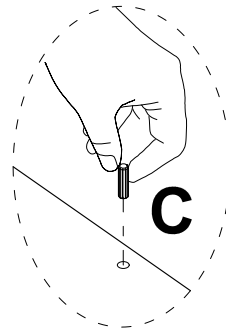
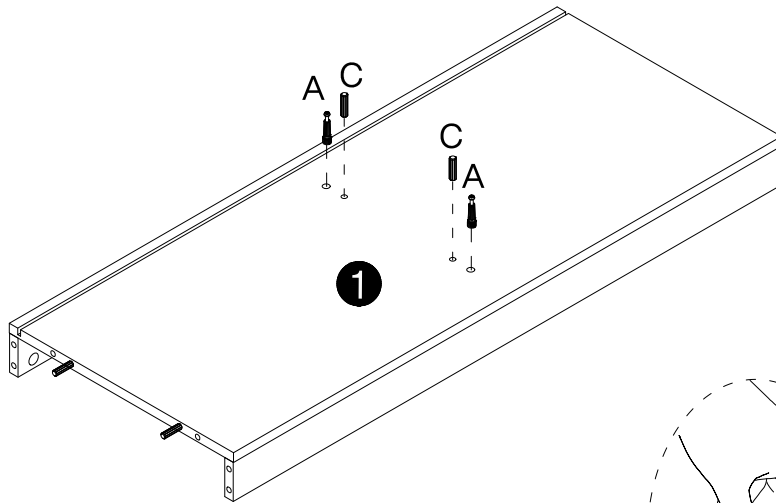
18

C

Ø8x30mm
4pcs




19

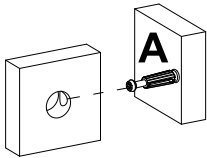
C	A
	
Ø8x30mm	M6x40mm
2pcs	2pcs



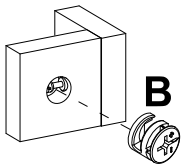
20

B

Ø15x12mm
2pcs

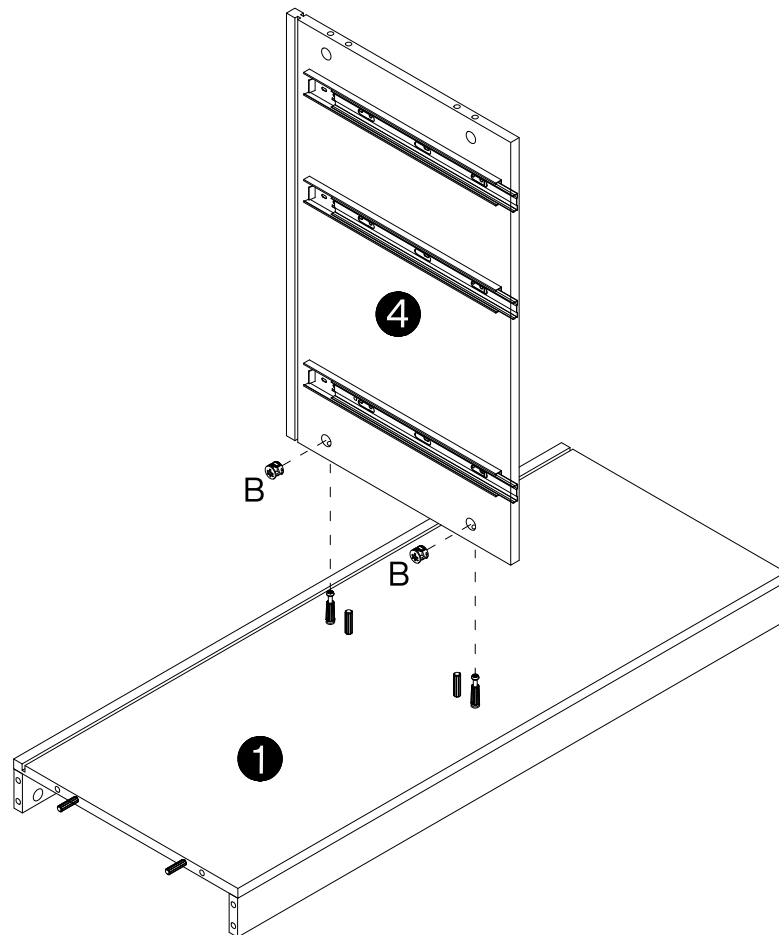
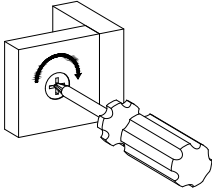
Step 1



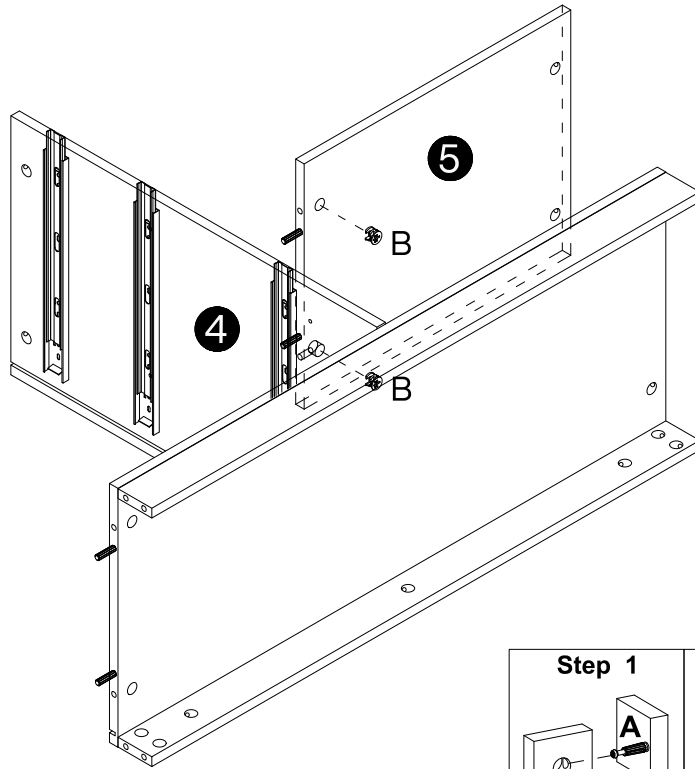
Step 2




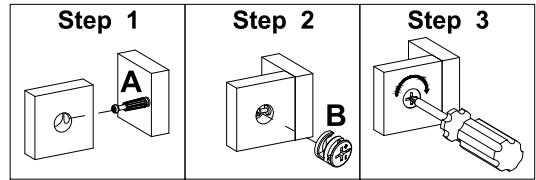
Step 3



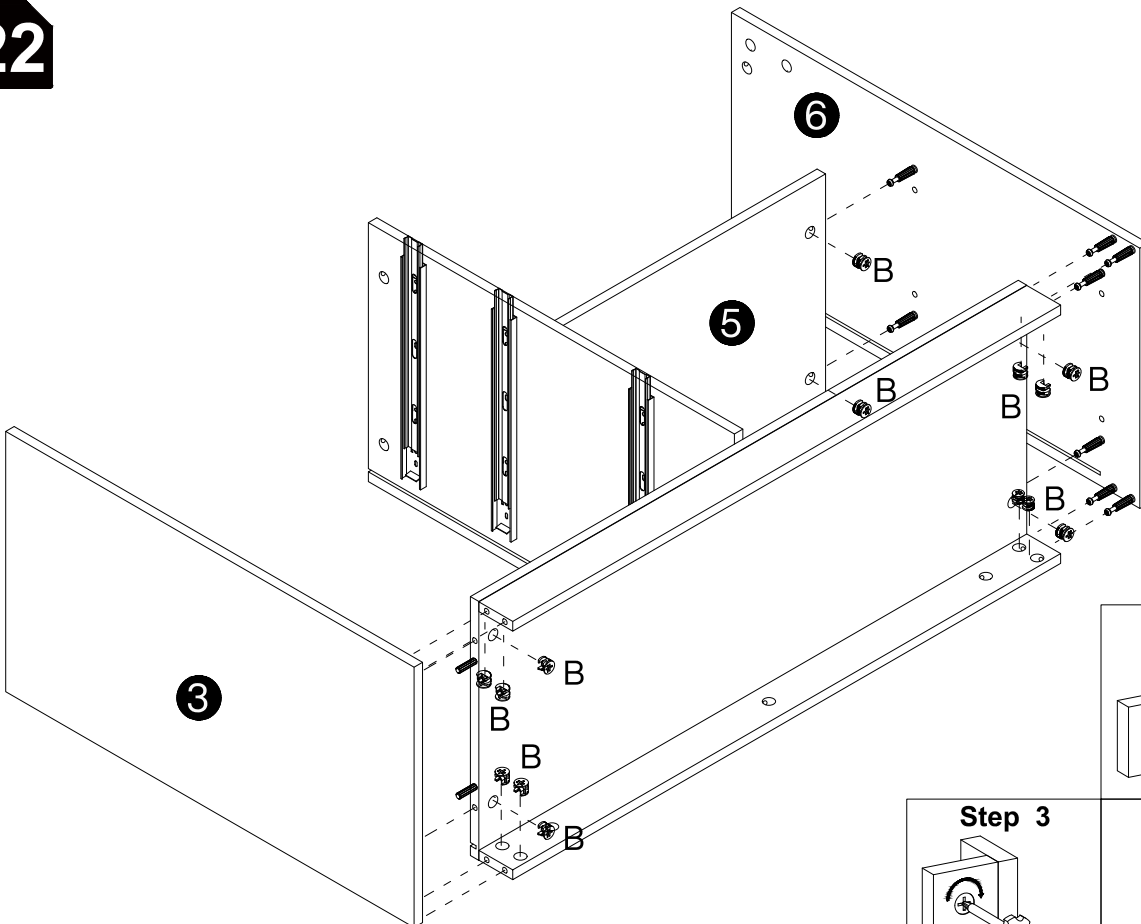
21




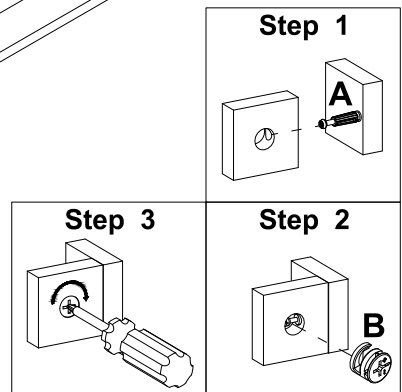
B

Ø15x12mm
2pcs



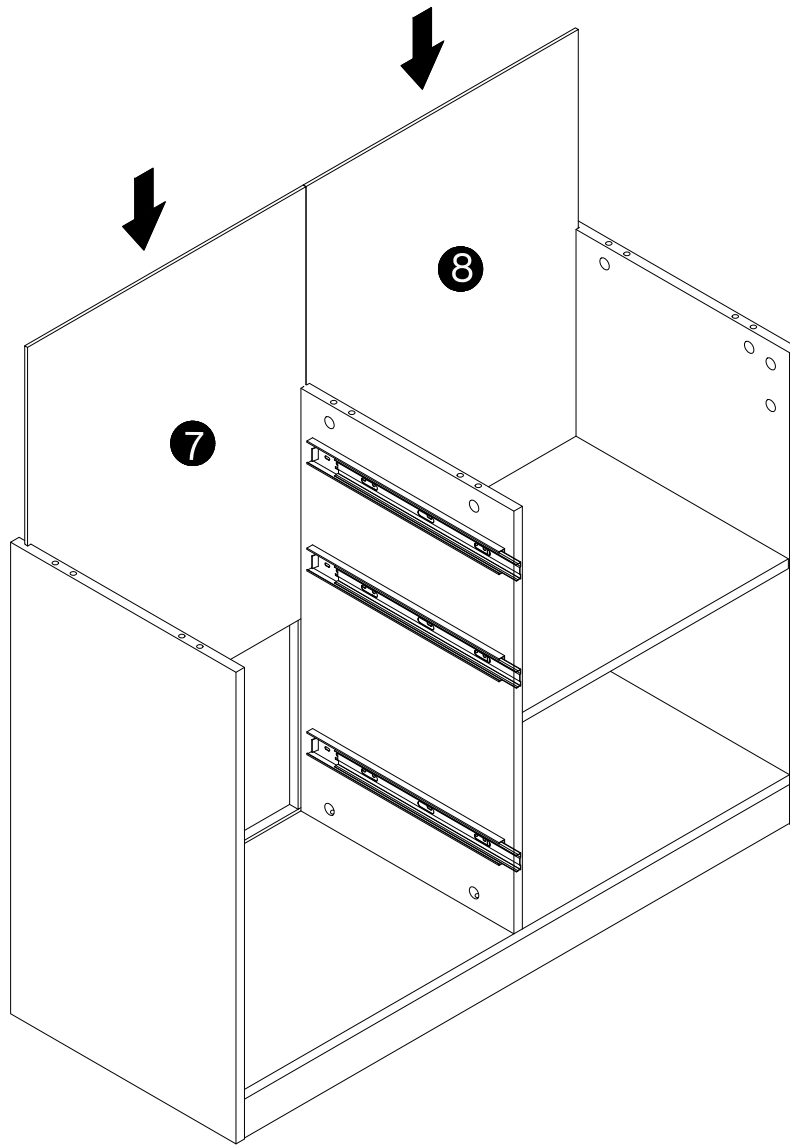
22



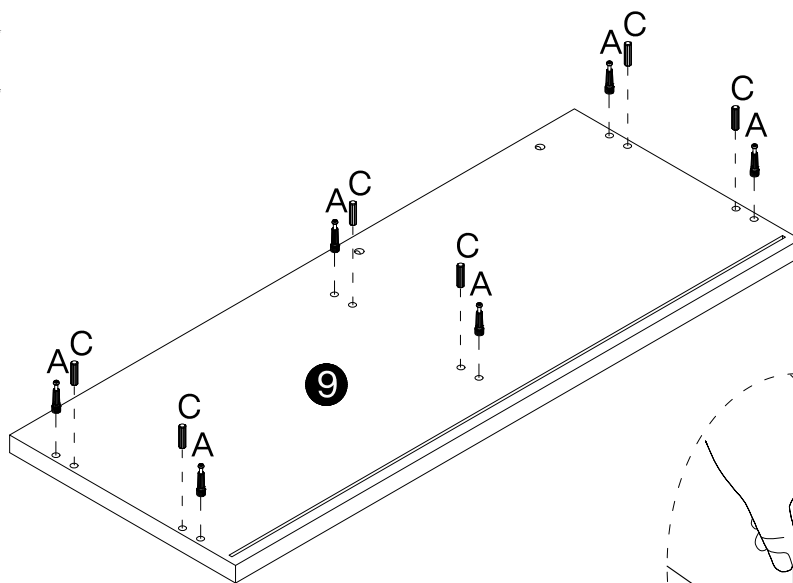
B

Ø15x12mm
14pcs

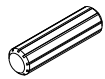



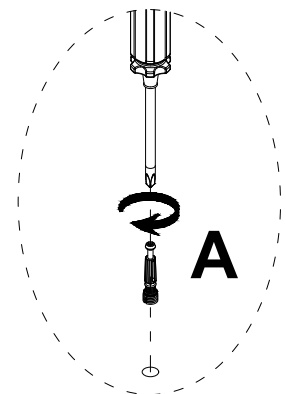
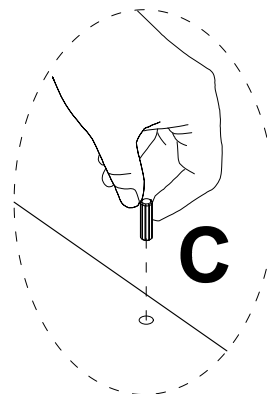
23



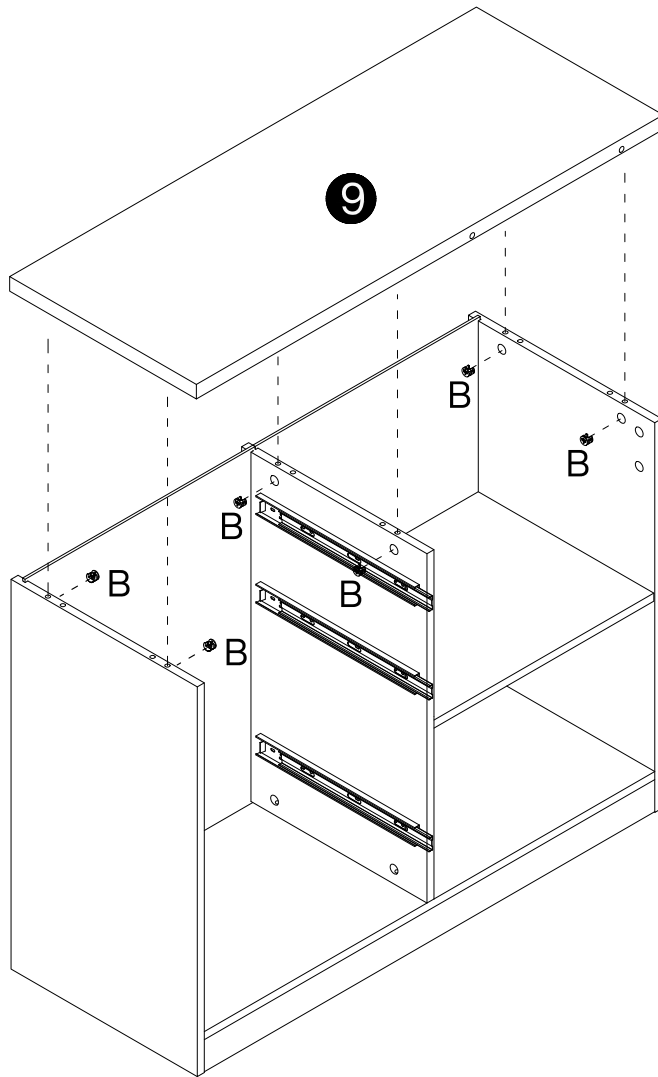
24




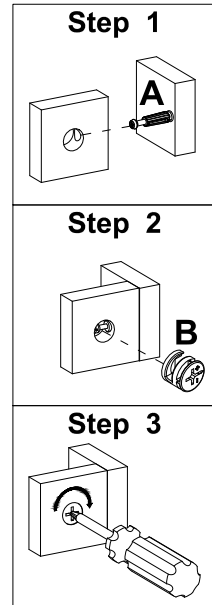
C	A
	
Ø8x30mm	M6x40mm
6pcs	6pcs



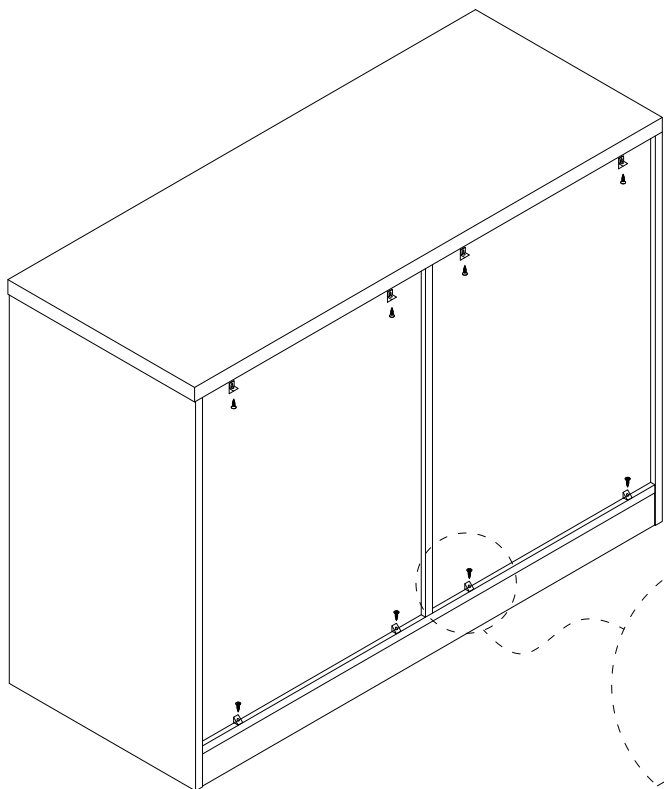
25


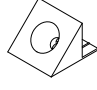


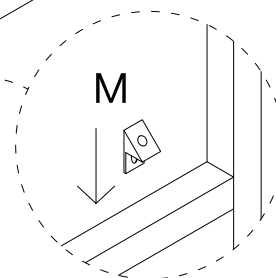
B

Ø15x12mm
6 pcs



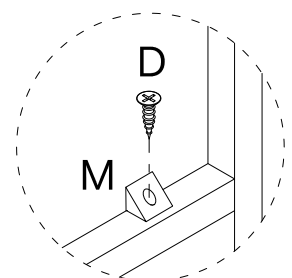
26



D	M
	
Ø3.5x14mm	
8 pcs	8 pcs

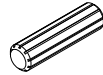




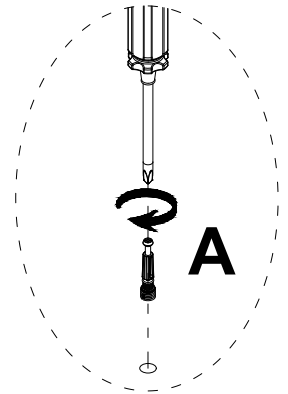
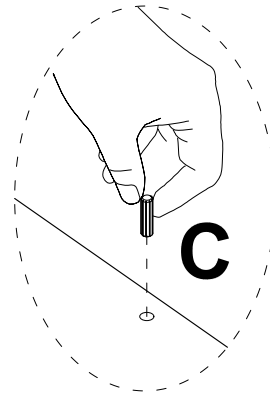
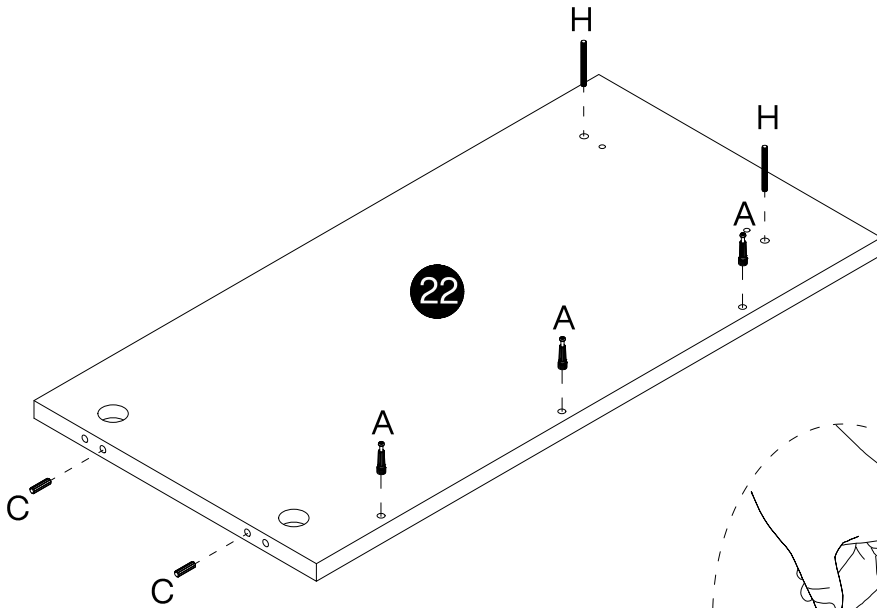
Step 1



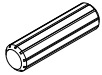

Step 2

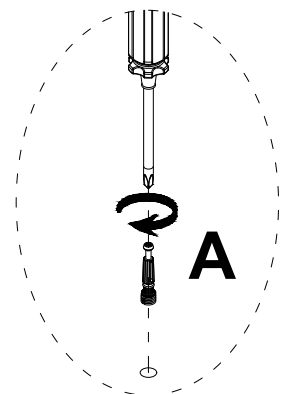
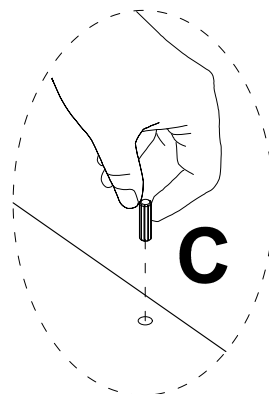
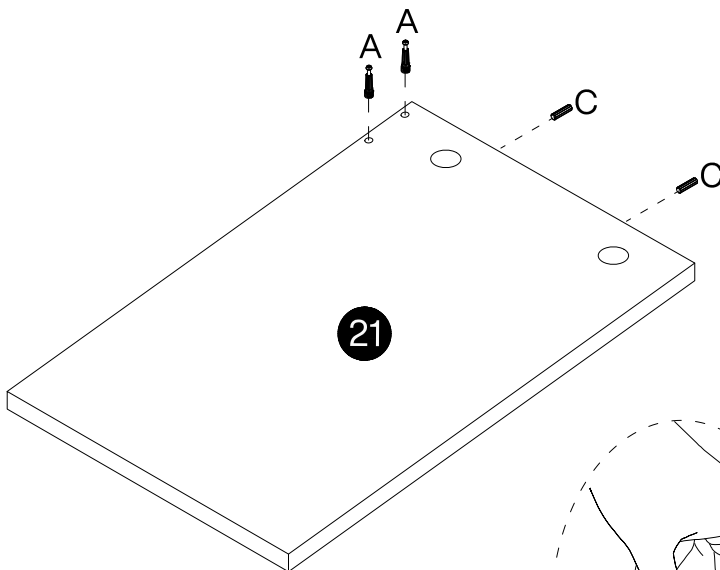
27

C	H	A
		
Ø8x30mm	Ø8x80mm	M6x40mm
2pcs	2pcs	3pcs

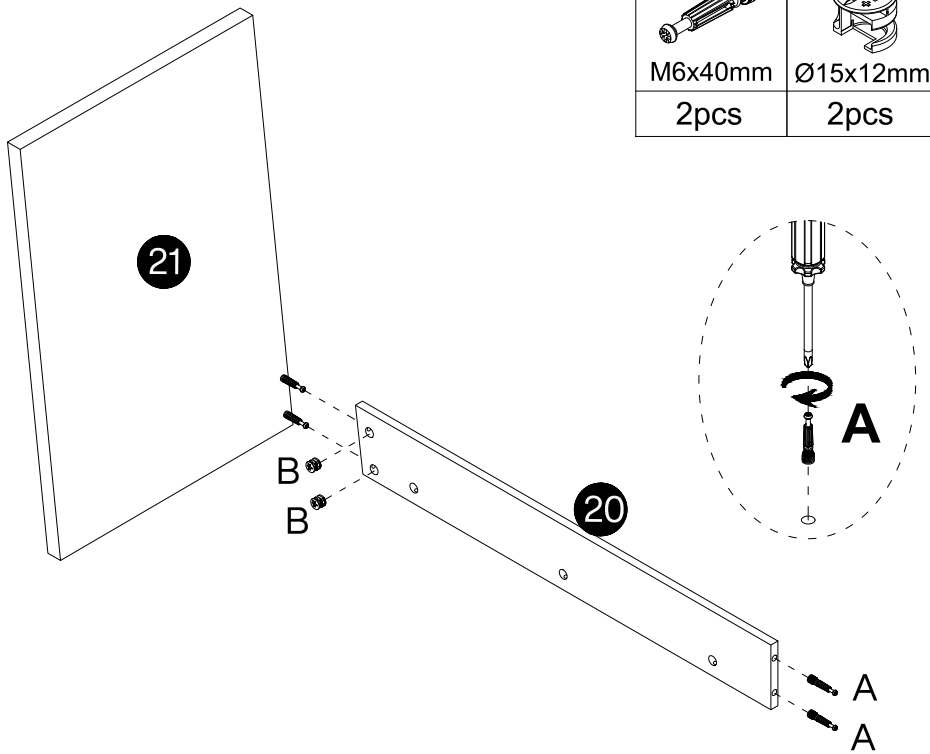
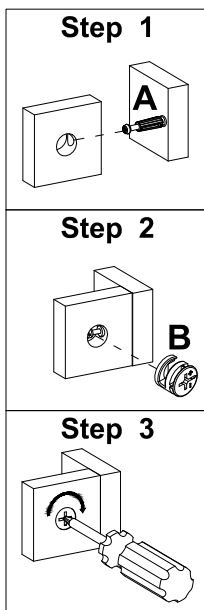




28

C	A
	
Ø8x30mm	M6x40mm
2pcs	2pcs

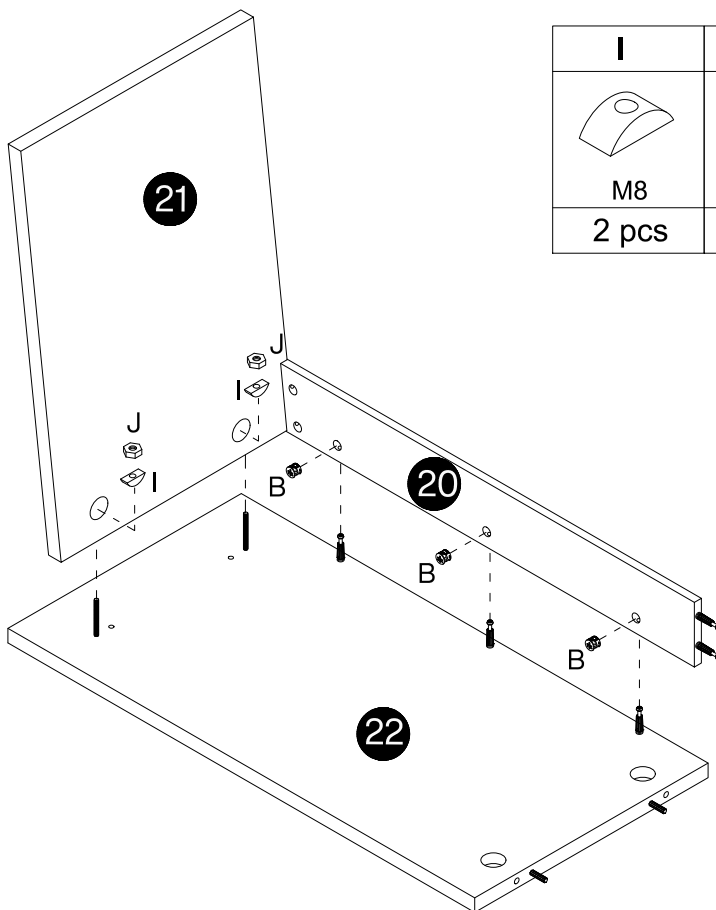
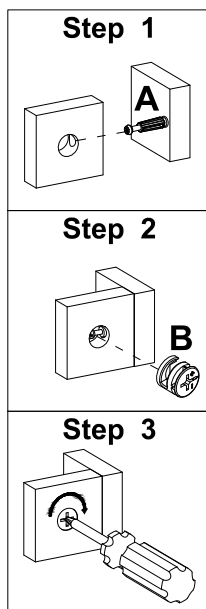





29

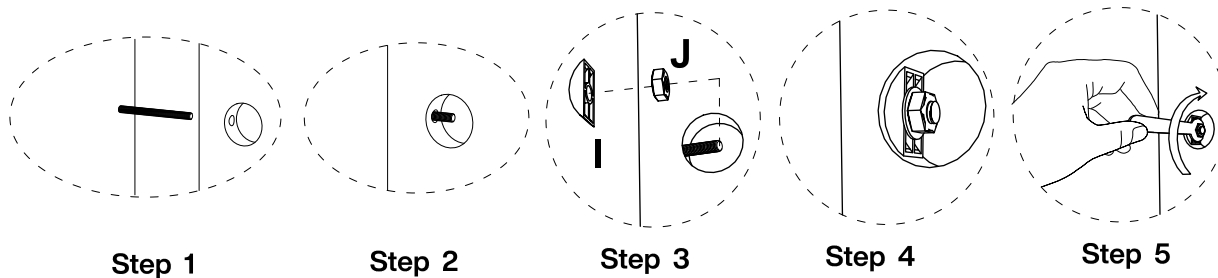


A	B
	
M6x40mm	Ø15x12mm
2pcs	2pcs






30

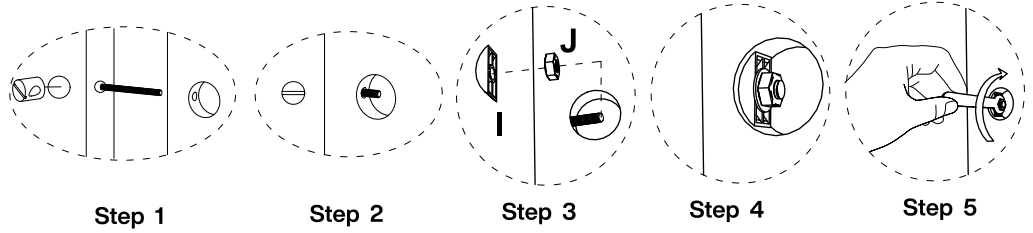
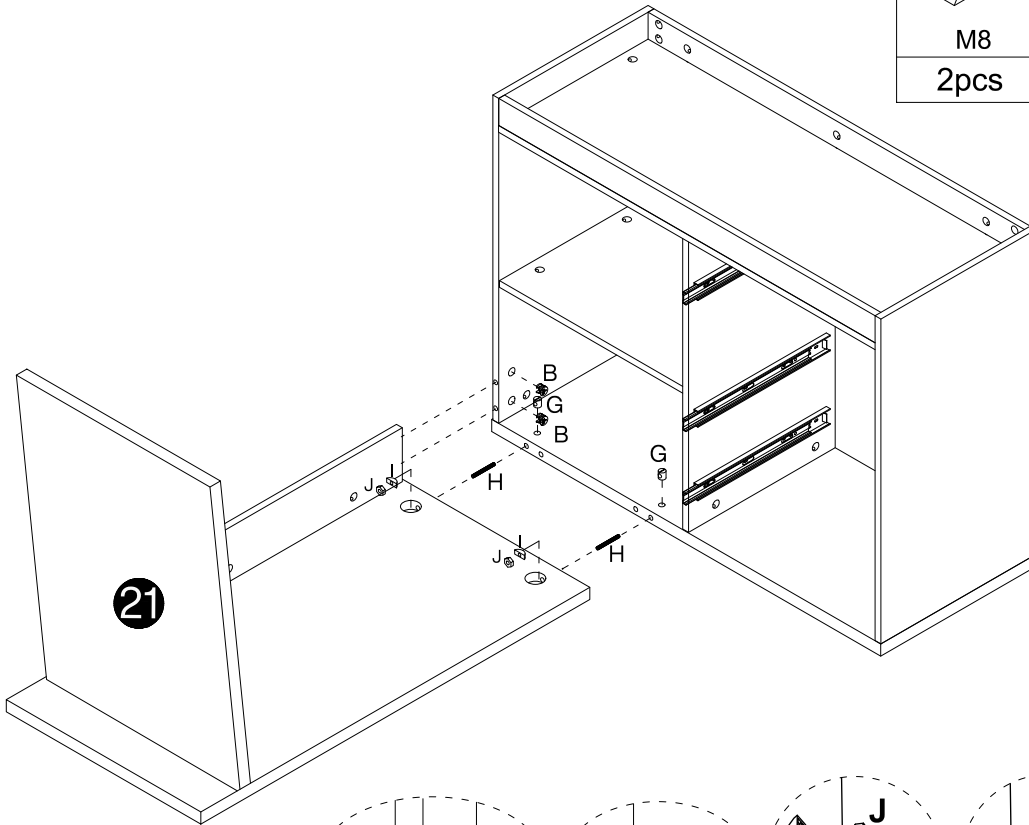


I	J	B
		
M8	M8	Ø15x12mm
2 pcs	2 pcs	3 pcs

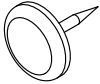


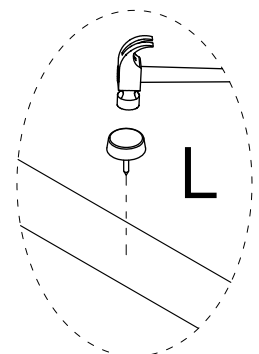
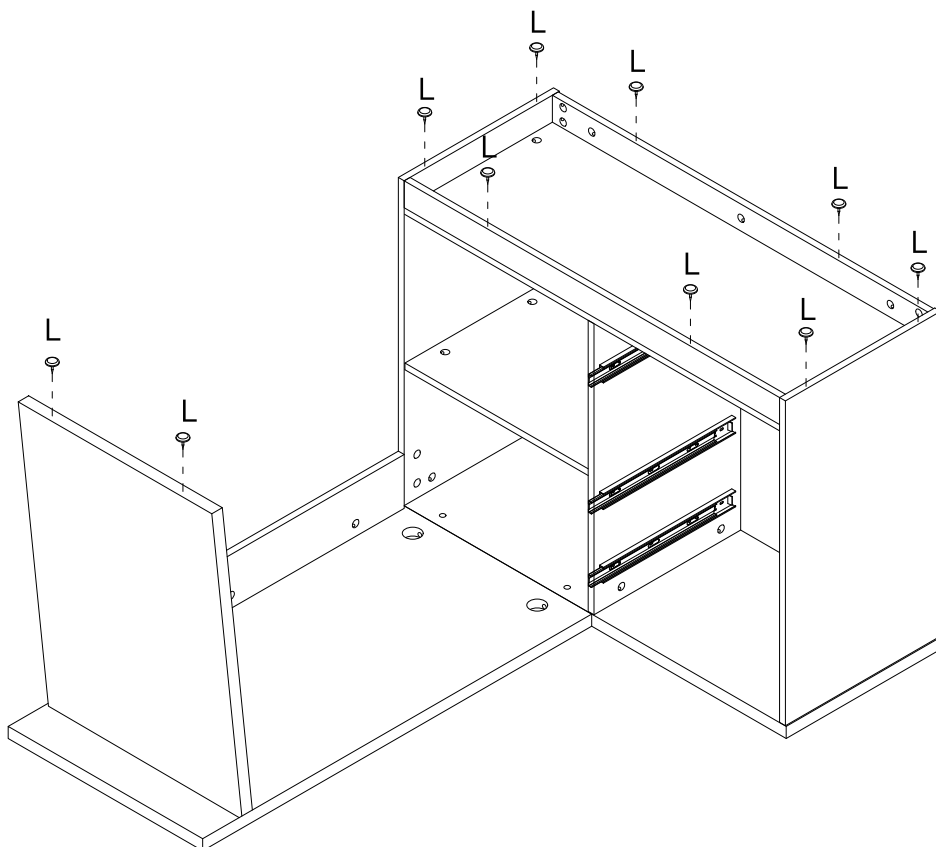
31

I	J	B
		
M8	M8	Ø15x12mm
2pcs	2pcs	2pcs
H		
		
Ø8x80mm		
2pcs		
G		
		
Ø10x11mm		
2pcs		




32

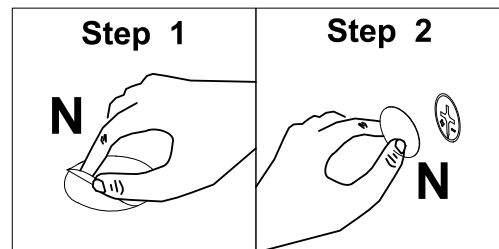
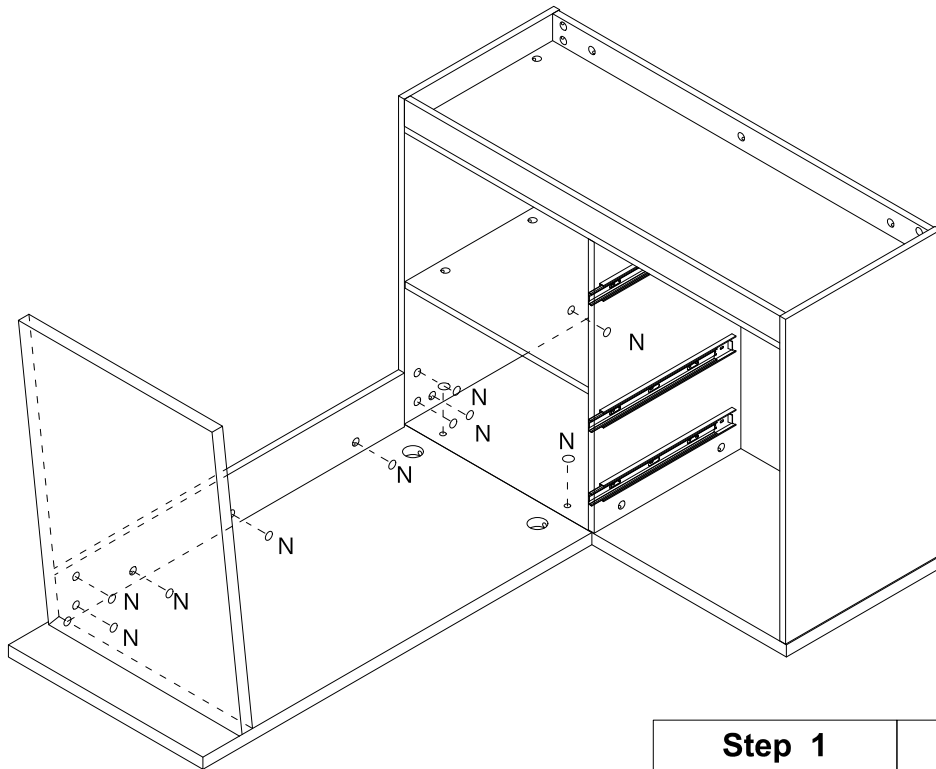
L

10 pcs



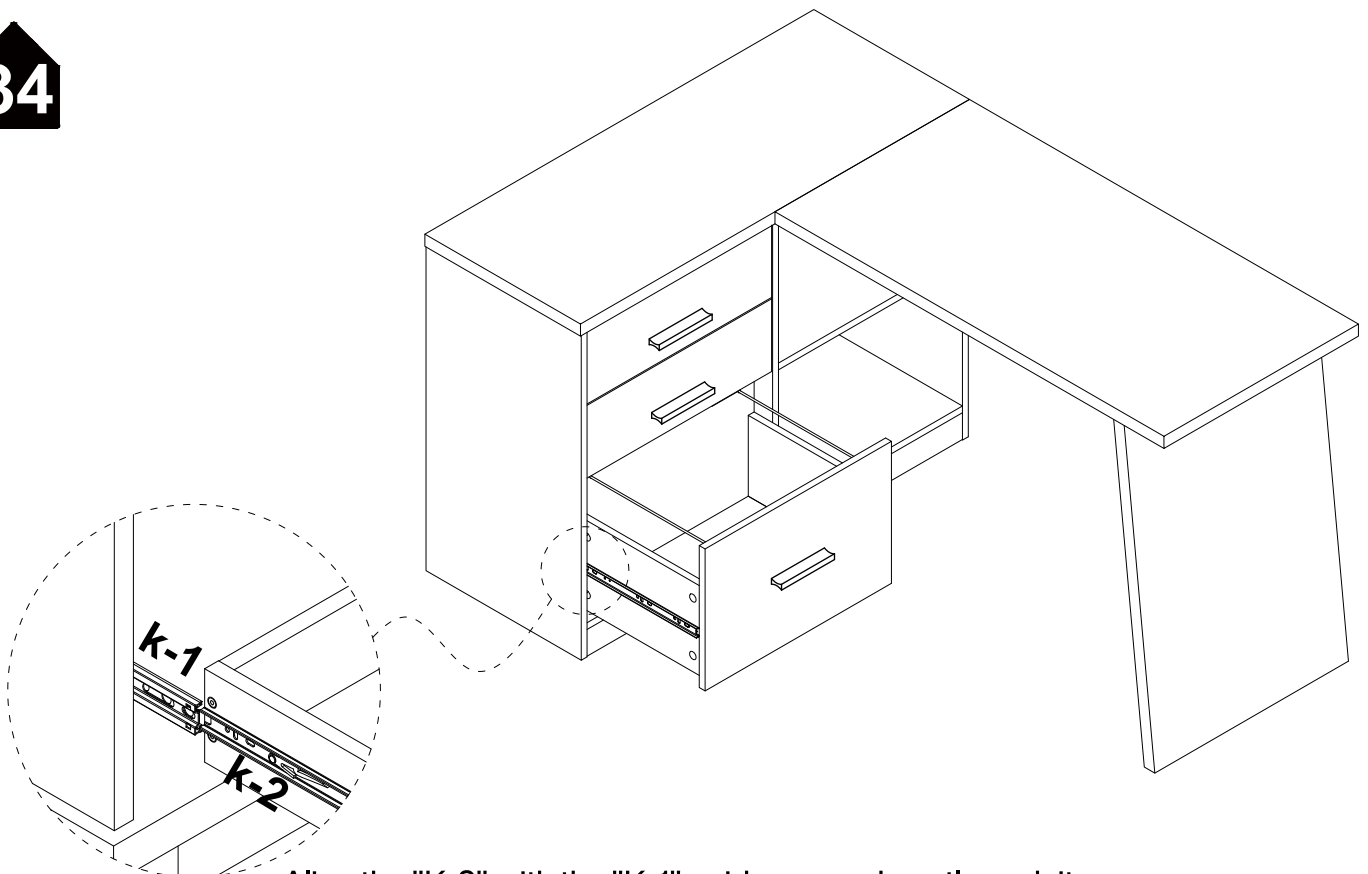
 **Caution! Tap lightly**

33

N

Ø21
11pcs



34



Align the "K-2" with the "K-1" guideway and gently push it in to complete the assembly

Thank you for your support !

