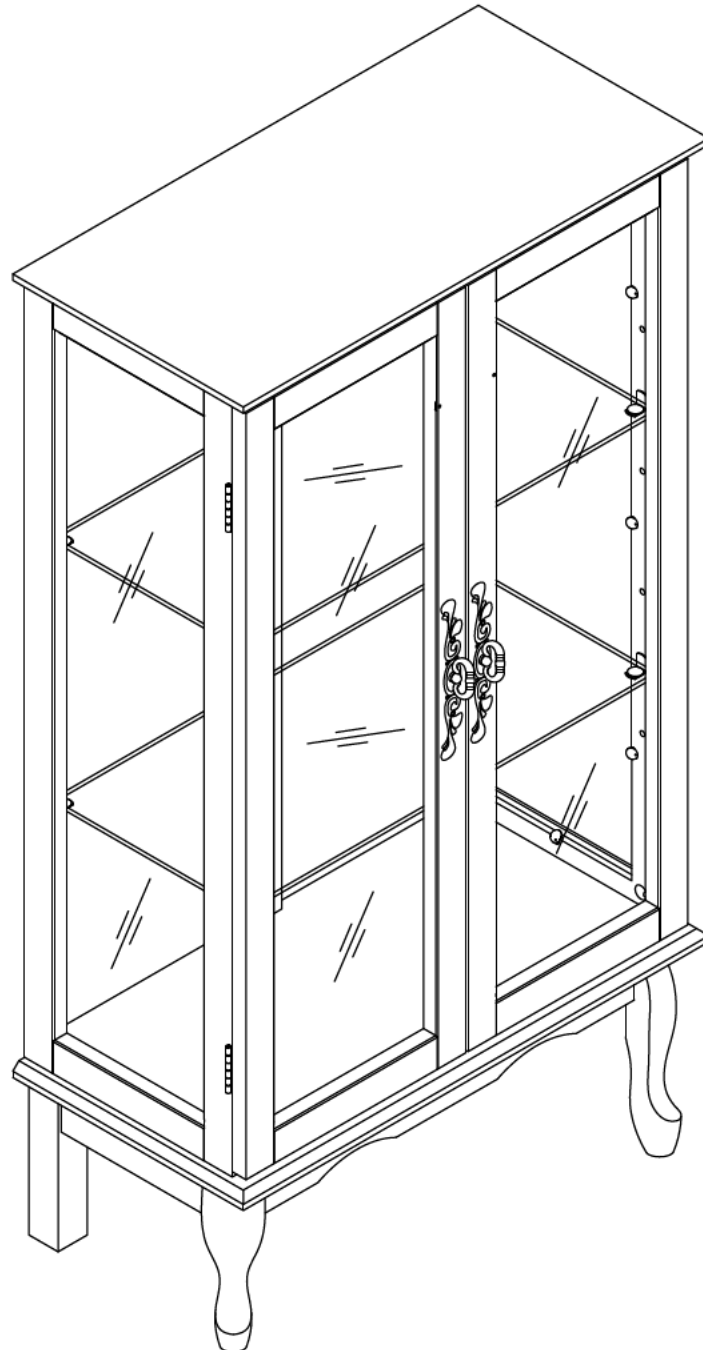


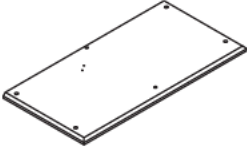
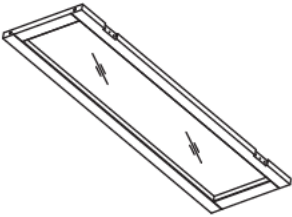
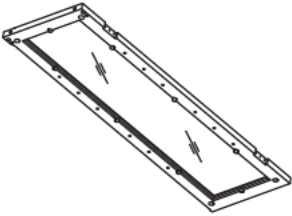
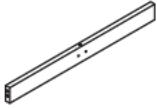
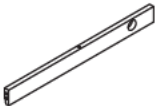
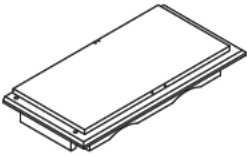


# 2 Doors Glass Cabinet

## Assembly Instruction


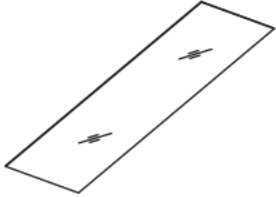
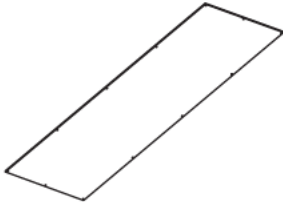
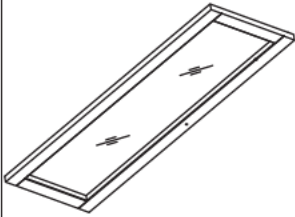
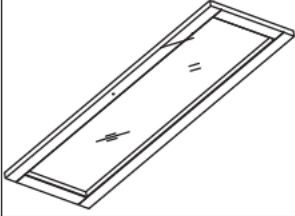
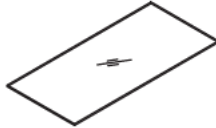

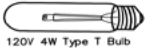


# ASSEMBLY INSTRUCTION

## Part List:

ITEM	DESCRIPTION	PART	QTY
1	Top panel		1
2	Left side		1
3	Right side		1
4	Front crosspiece		1
5	Back crosspiece		1
6	Base		1
7	Front leg		2
8	Back leg		2

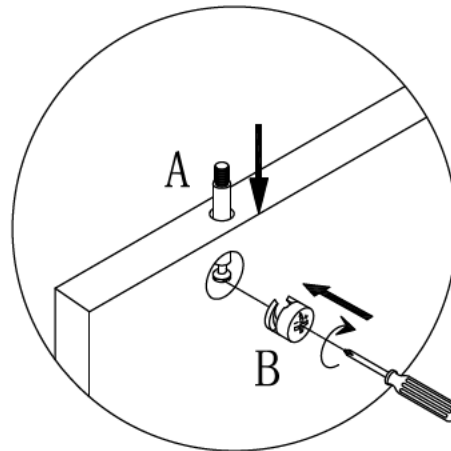
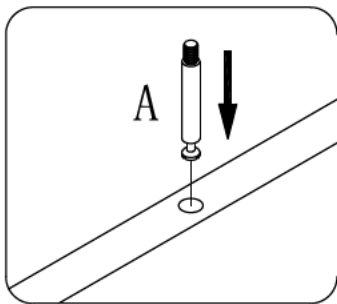
## Part List:

ITEM	DESCRIPTION	PART	QTY
9	Vertical bar		1
10	Mirror		2
11	Back panel		2
12	Left door		1
13	Right door		1
14	Shelf glass		2
15	Lamp unit		1
16	Lamp Bulb	 120V 4W Type T Bulb	1

## ASSEMBLY INSTRUCTION

- \* Required screwdriver & mallet, not included.
- \* Before discarding packing materials, please check to make sure that all parts and hardware is present.
- \* Two people needed for assembly.
- \* Please follow the instructions closely; do not over tighten screws or bolts unless instructed.
- \* Caution: If using a power drill or power screwdriver for screwing, please be aware to slow down and stop when screw is tight. Failure to do so may result in stripping the screw.

## Guideline For Assembling of Cam Lock(A &amp; B)













Screw camlock bolt (A) to wood part.

Do not assemble camlock (B) unless instructed.


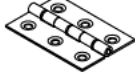









To assemble camlock (B), ensure long side of the + is facing the bolt (A) before inserting into hole.

## ASSEMBLY INSTRUCTION

## Hardware List:

ITEM	DESCRIPTION	PART	QTY
A	Camlock bolt		13
B	Camlock		13
C	Wooden dowel	 Φ8*30mm	6
D	Bolt	 Φ1/4"*1 1/2"	9
E	Lock washer		9
F	Flat washer		9
G	Allen wrench		1
H	Metal plate		2
I	Handle		2
J	Machine screw	 Φ5/32*3/4"	2

## Hardware List:

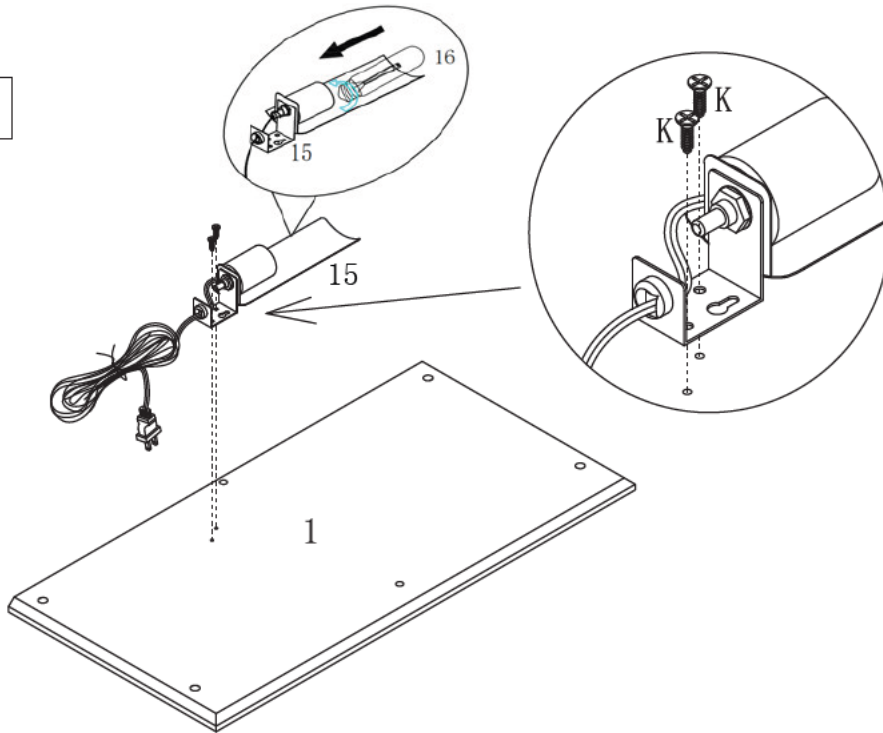
ITEM	DESCRIPTION	PART	QTY
K	Wood screw	 Φ3*12mm	28
L	Hinge		4
M	Connecting slice		2
N	Round head screw	 Φ3*12mm	4
O	Back screw	 Φ3*12mm	26
P	Shelf support		9
Q	Safety wall strap		1
R	Plastic anchor		1
S	Mounting screw	 Φ4*38mm	1
U	Back screw	 Φ3*15mm	1
V	Wooden dowel	 Φ6*30mm	4

Tip: It is recommended to keep all hardware in a box to avoid loss during installation.

# ASSEMBLY INSTRUCTION

## STEP 1

K:  2PCS



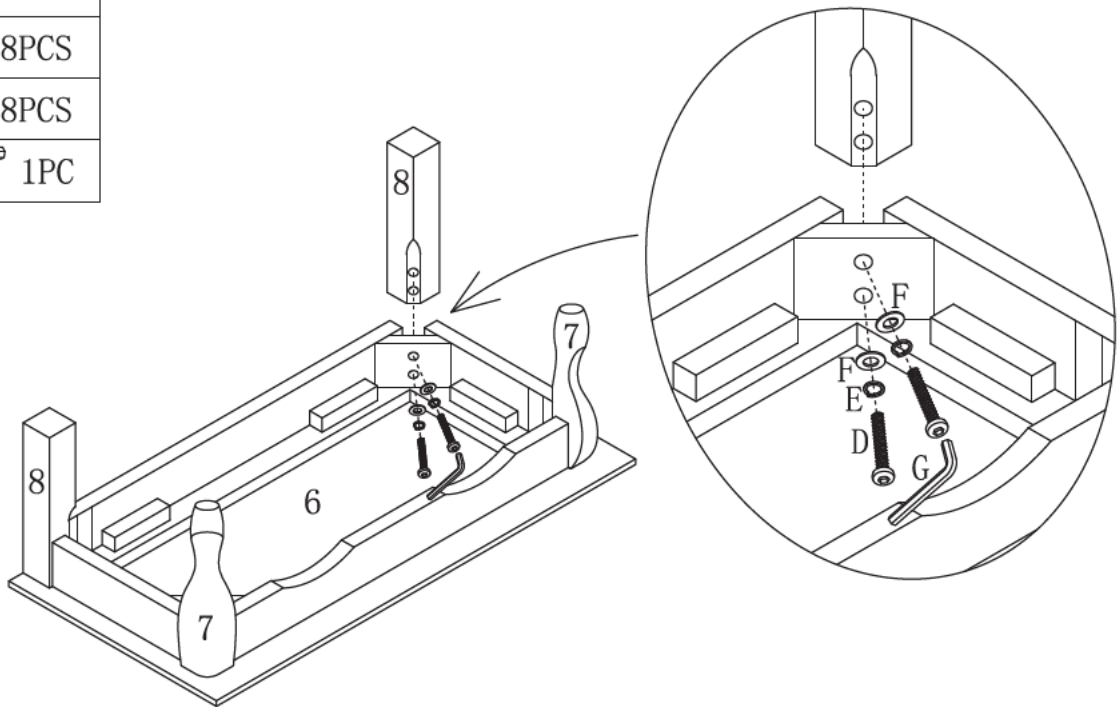
## STEP 2

D:  8PCS

E:  8PCS




F:  8PCS

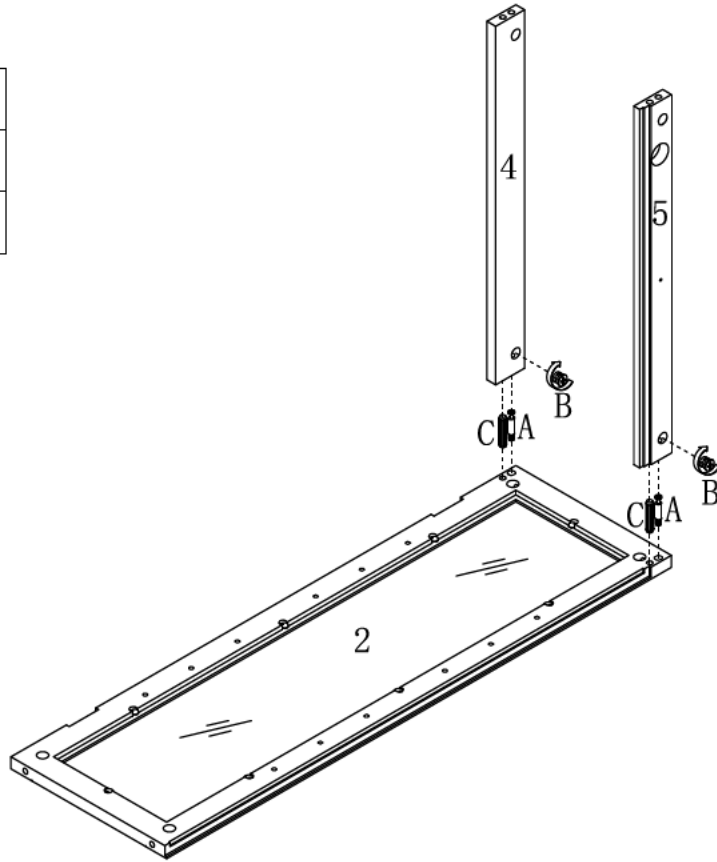
G:  1PC



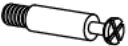


# ASSEMBLY INSTRUCTION

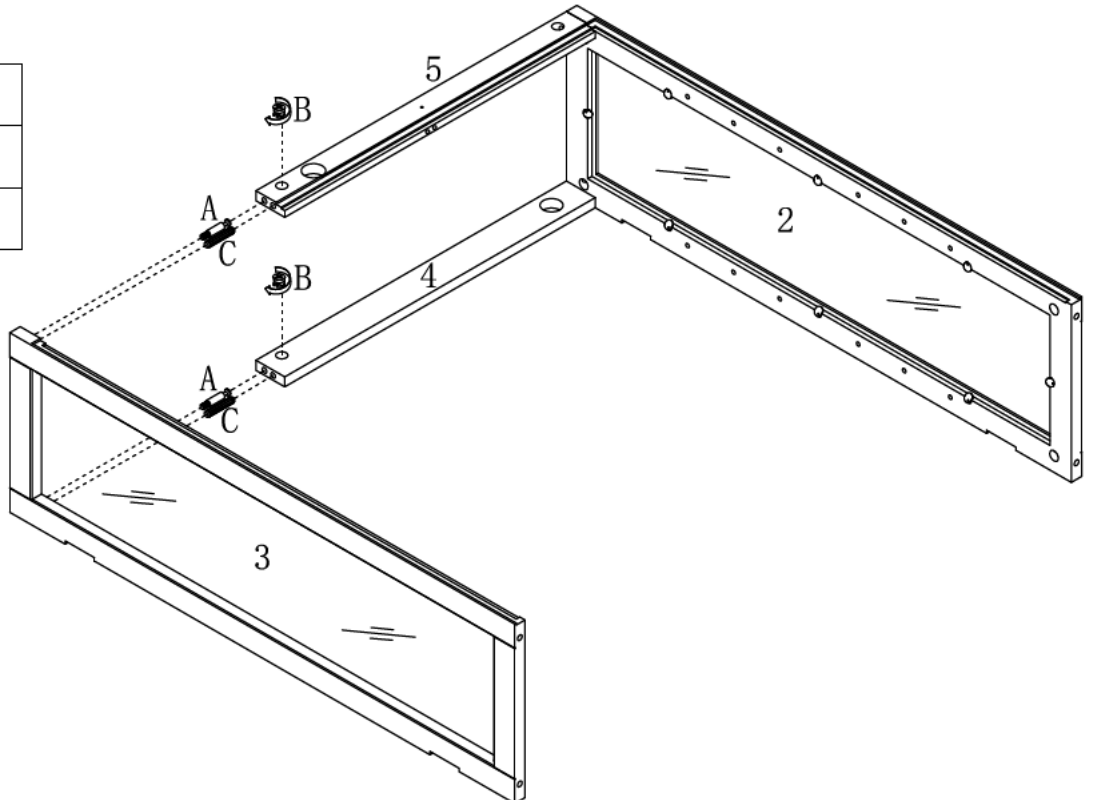
## STEP 3

A:		2PCS
B:		2PCS
C:		2PCS



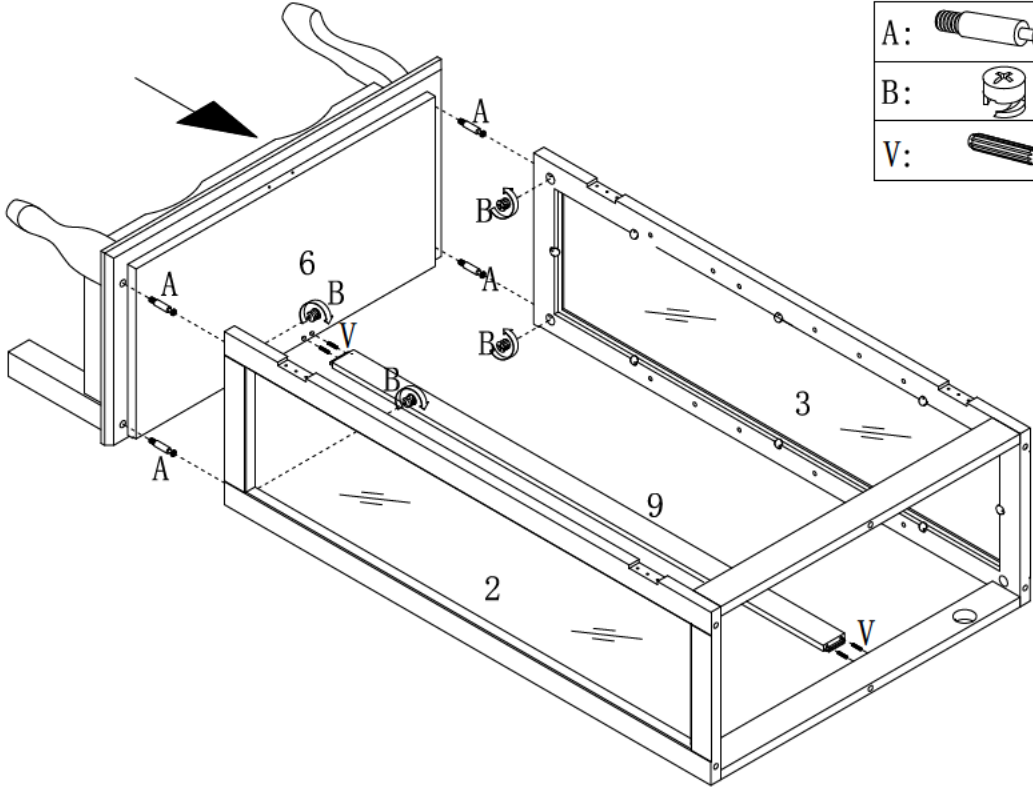
## STEP 4




A:		2PCS
B:		2PCS
C:		2PCS



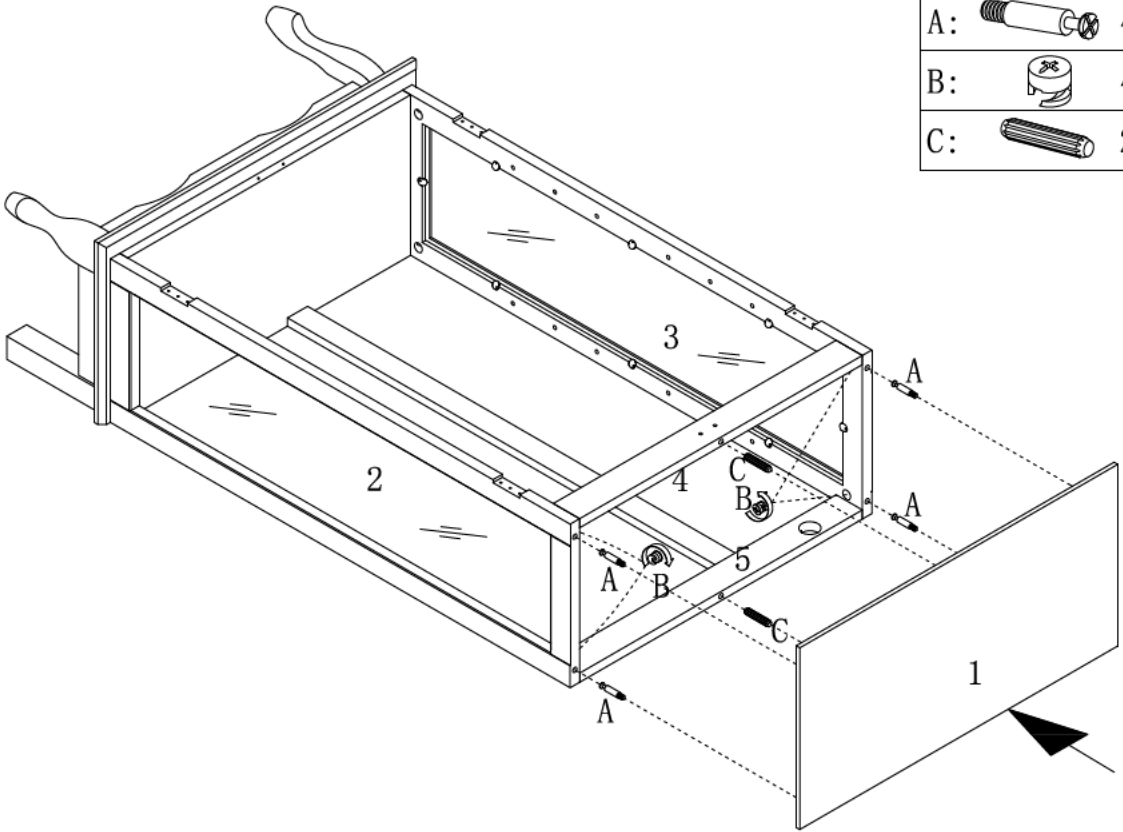
# ASSEMBLY INSTRUCTION




## STEP 5









A:		4PCS
B:		4PCS
V:		4PCS

## STEP 6

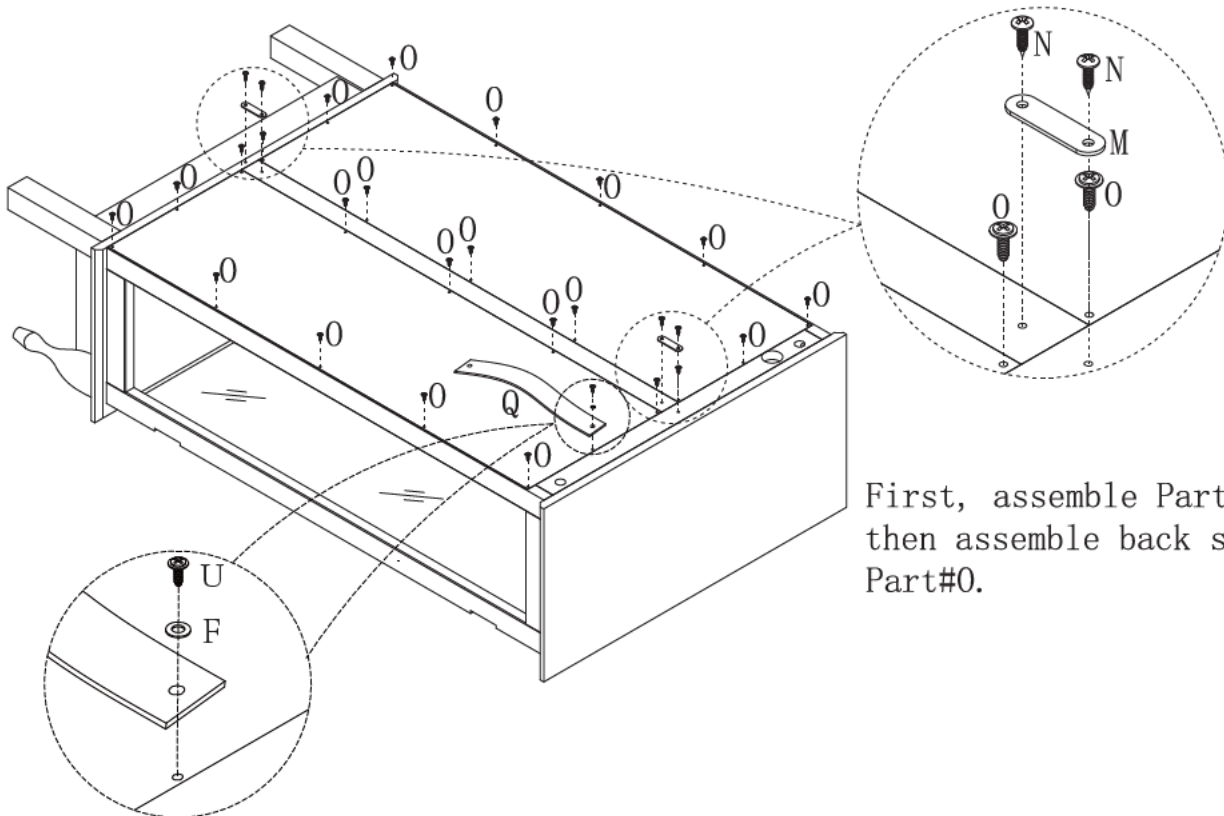
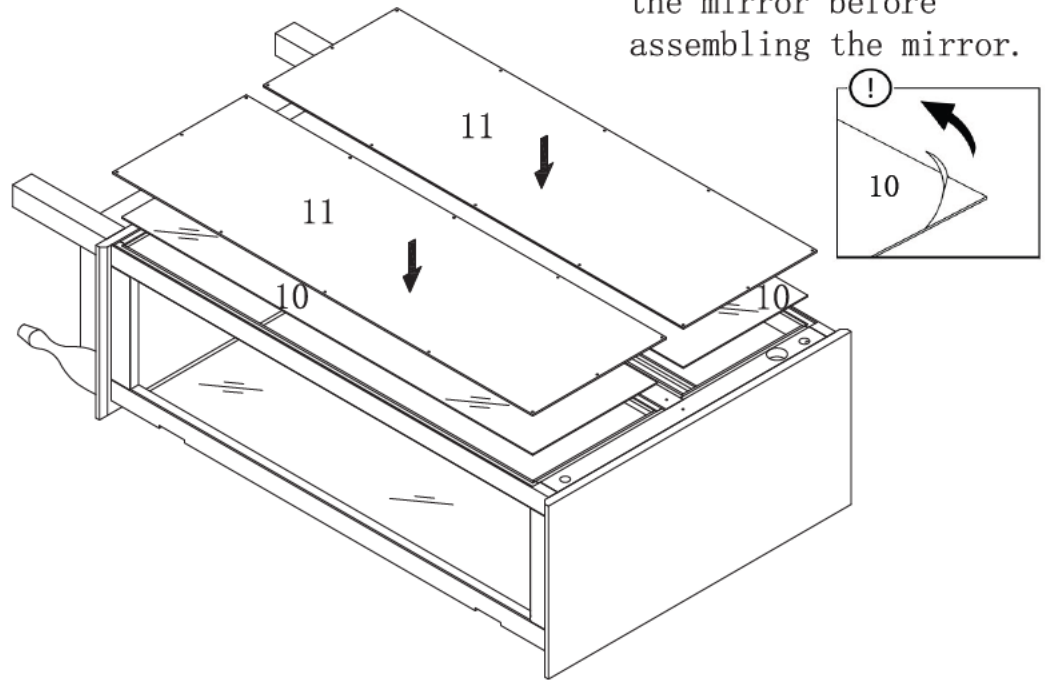


A:		4PCS
B:		4PCS
C:		2PCS

## STEP 7

F:		1PC
M:		2PCS
N:		4PCS
O:		23PCS
Q:		1PC
U:		1PC





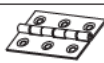
Please tear off the protective film of the mirror before assembling the mirror.

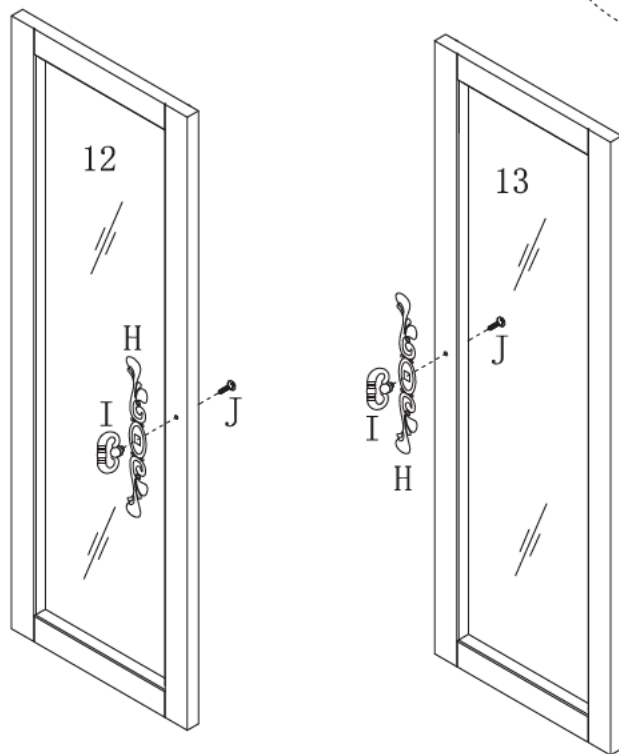
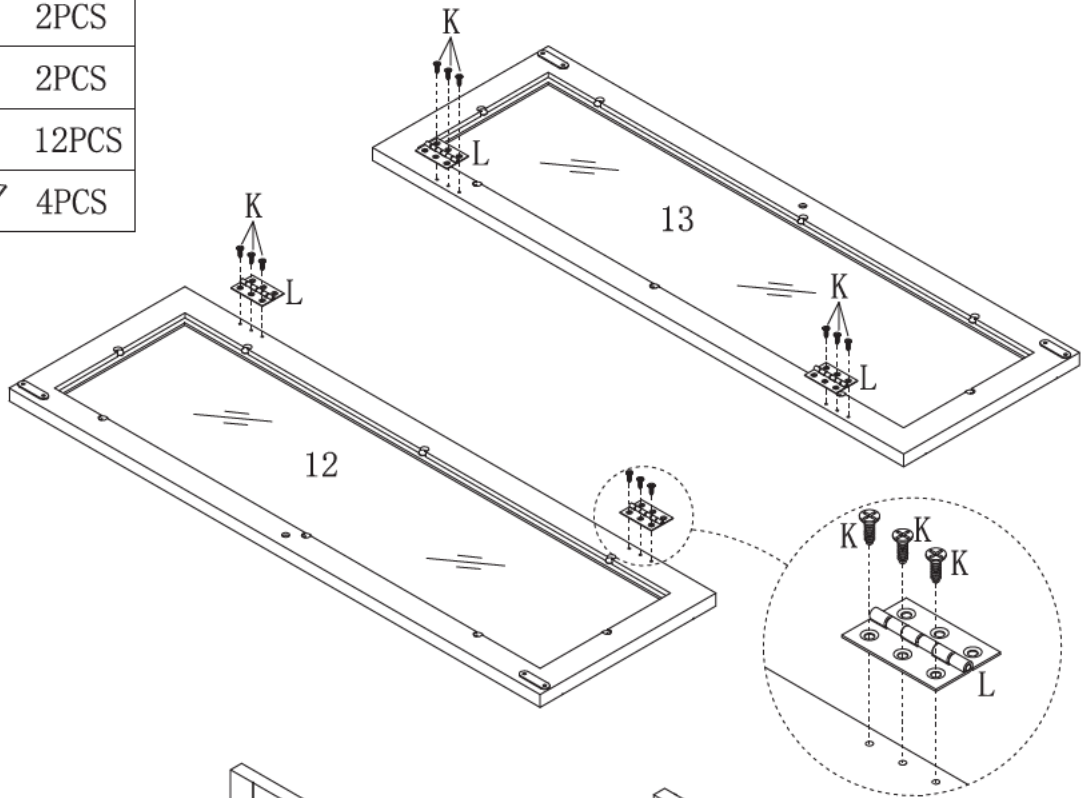


First, assemble Part#N & M, then assemble back screws Part#O.

# ASSEMBLY INSTRUCTION

## STEP 8

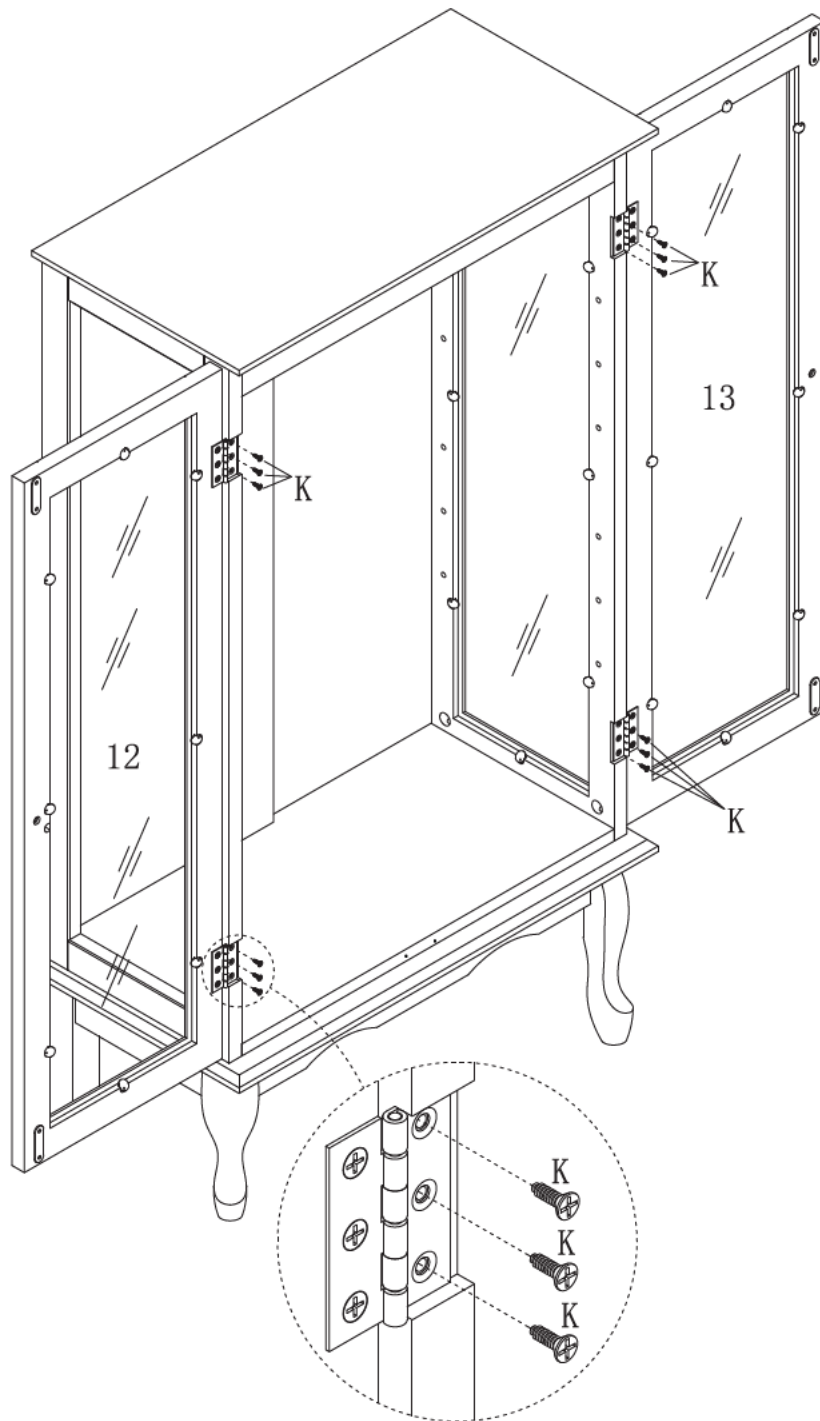
H:		2PCS
I:		2PCS
J:		2PCS
K:		12PCS
L:		4PCS



# ASSEMBLY INSTRUCTION

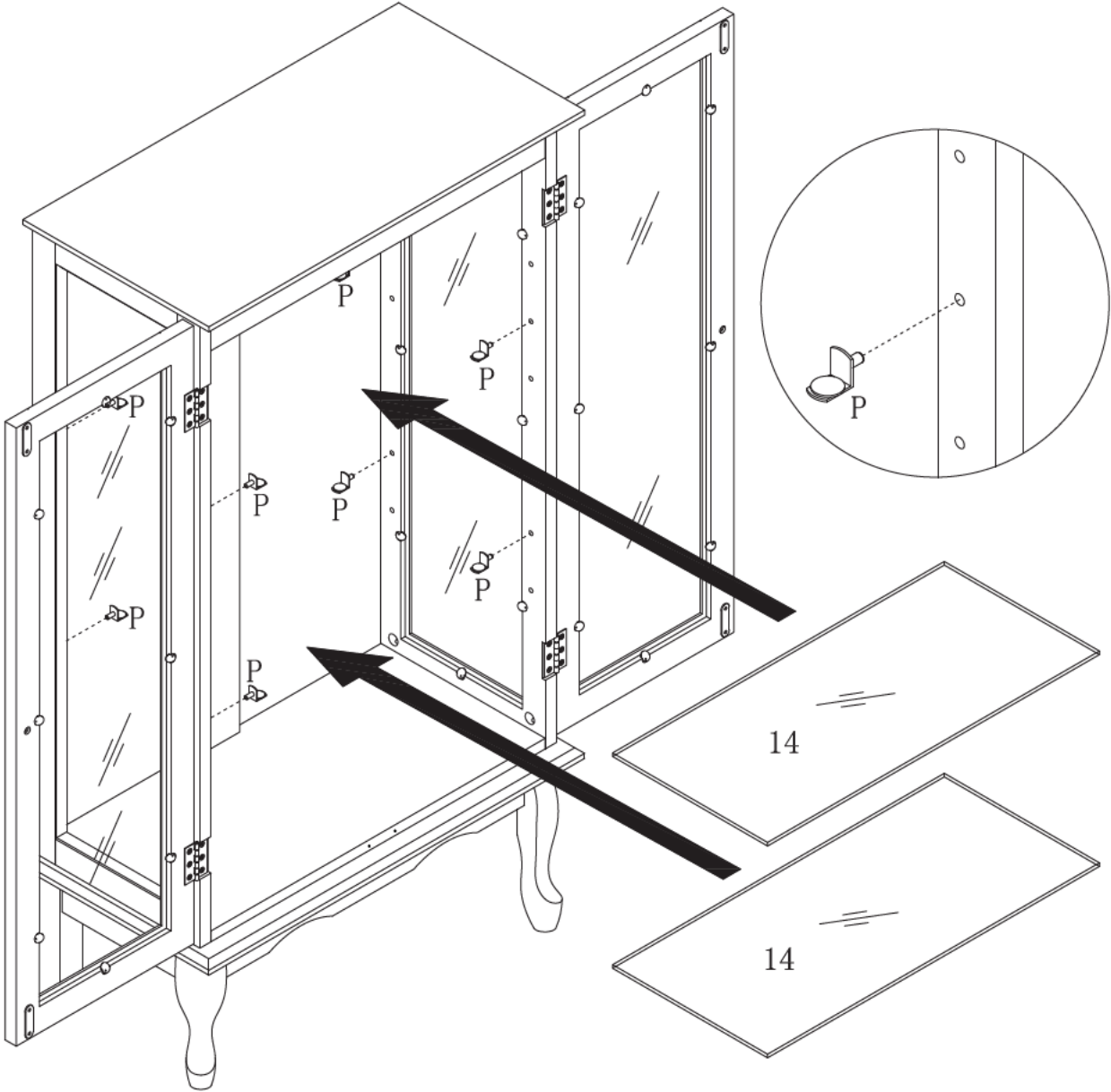
## STEP 9

K:  12PCS






STEP 10

P:  8PCS



STEP 11

F:		1PC
R:		1PC
S:		1PC

