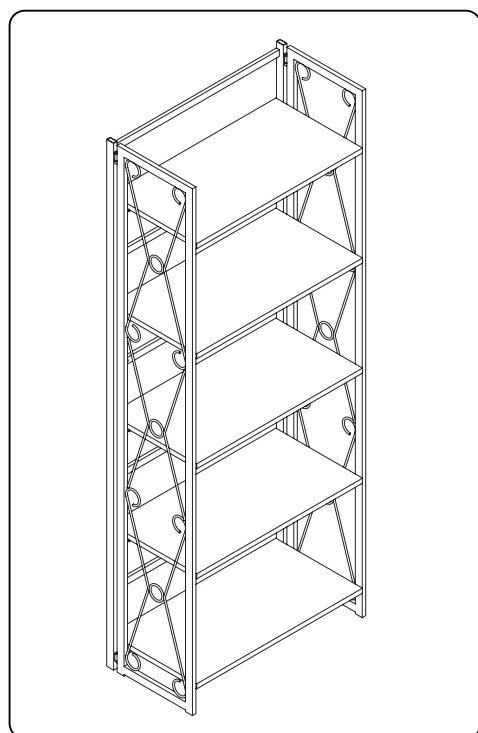
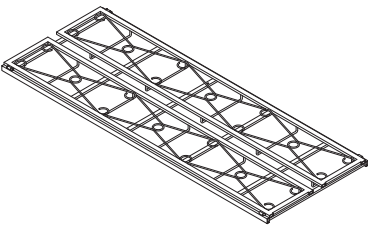
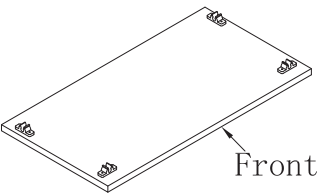
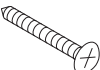



Assembly Instructions



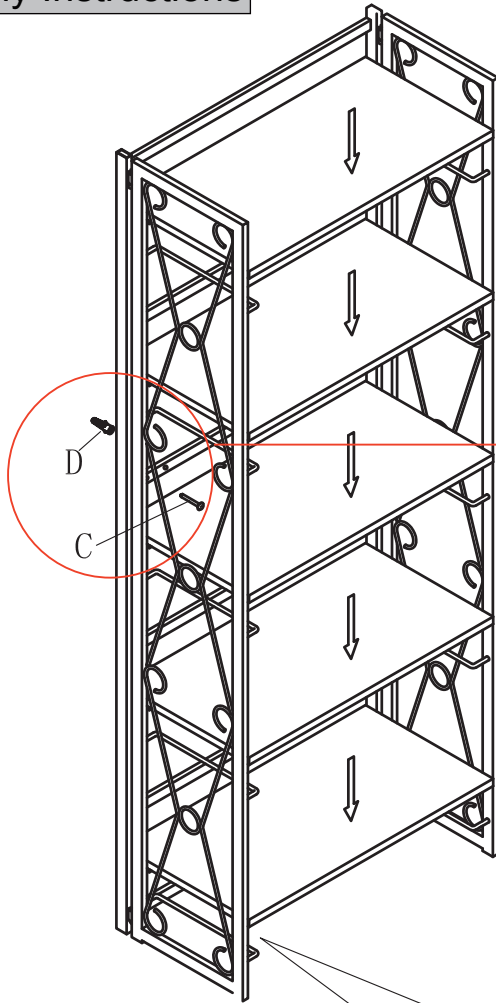
Components	
A 	1
B 	5

Screws & Tools	
C 	2
40MM	
D 	2
35MM	

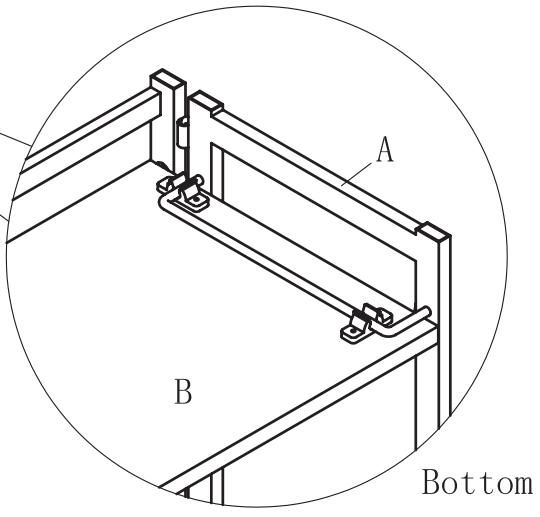
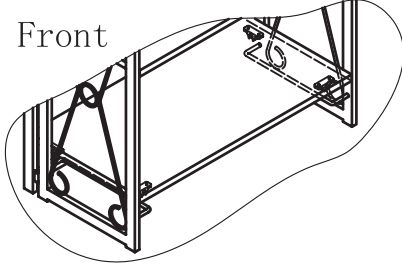
Return Policy

You will absolutely love your new item. But if for some reason you want to return, please contact us directly before you decide to return your product. The item must be return within 30 days of delivery for a full refund. The item must be returned in good condition, in original box, with all original proof of purchase, parts and accessories.

Assembly Instructions



Tips: C&D screws are optional accessories. If you need to fix the bookshelf to the wall, you can use the drill tool (not included) to install. However, it should be noted that the wall should be a solid wall.



Front

Bottom