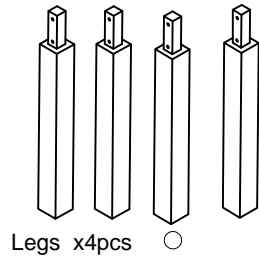
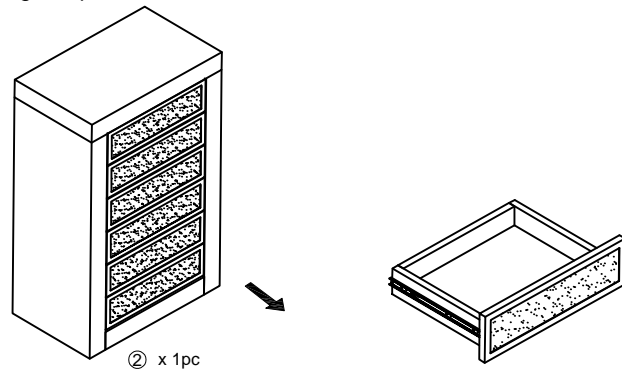


Installation Instructions

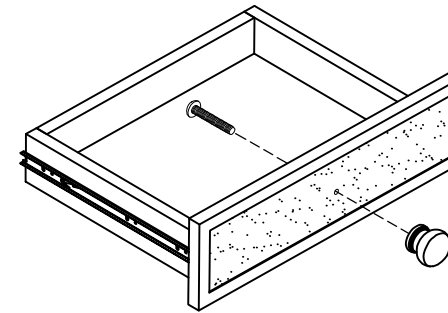
Verify all parts against the list. Contact us if any items are missing.



- A Allen Wrench 1pos
- B Handle Bolt 8pcs
- C 6 PCS
- D 6 PCS



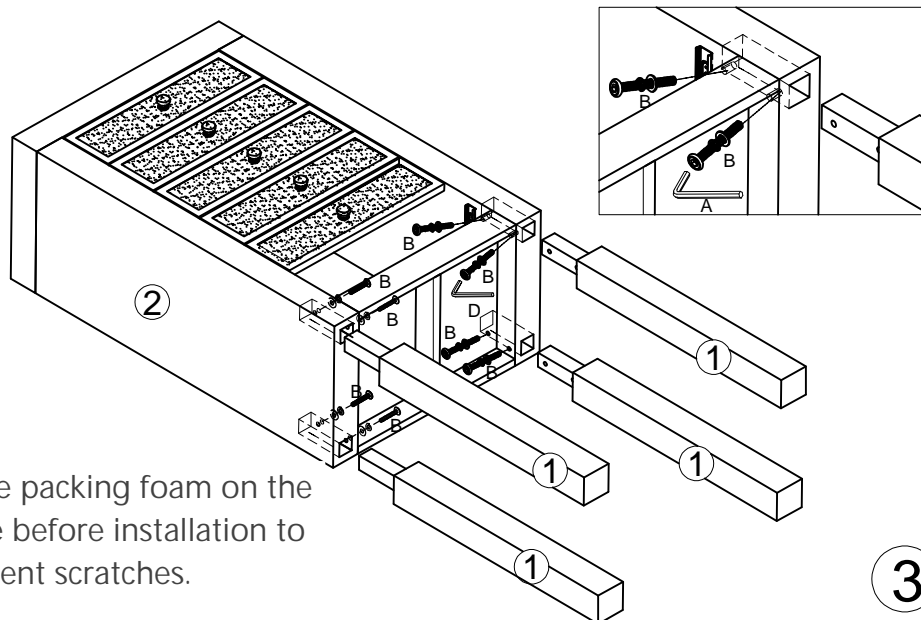
1. Open the drawer and locate the handle inside.
2. Unscrew it and install the handle on the exterior of the drawer front.



Critical: Tighten screws only until snug. **DO NOT OVERTIGHTEN** - the mirrored surface may crack under excess pressure.

1

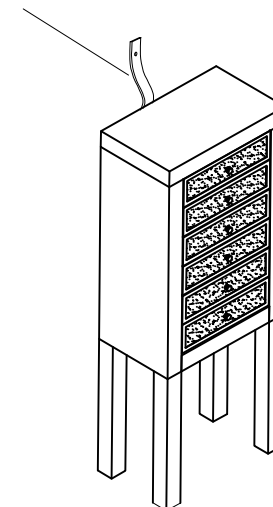
2



Place packing foam on the base before installation to prevent scratches.

WARNING: Furniture tip-over KILLS. MUST install bracket to prevent serious injury, especially to children. NEVER let children climb on furniture.

Drill hole for anchor. Insert anchor. Screw bracket **TIGHT** into anchor.



3

4