

VEVOR[®]

TOUGH TOOLS, HALF PRICE

Technical Support and E-Warranty Certificate www.vevor.com/support

MURPHY BED KIT

MODEL:YFVFU244

We continue to be committed to provide you tools with competitive price. "Save Half", "Half Price" or any other similar expressions used by us only represents an estimate of savings you might benefit from buying certain tools with us compared to the major top brands and does not necessarily mean to cover all categories of tools offered by us. You are kindly reminded to verify carefully when you are placing an order with us if you are actually Saving Half in comparison with the top major brands.

VEVOR®

TOUGH TOOLS, HALF PRICE

Murphy Bed Kit

MODEL:YFVFU244



NEED HELP? CONTACT US!

Have product questions? Need technical support? Please feel free to contact us:

Technical Support and E-Warranty Certificate
www.vevor.com/support

This is the original instruction, please read all manual instructions carefully before operating. VEVOR reserves a clear interpretation of our user manual. The appearance of the product shall be subject to the product you received. Please forgive us that we won't inform you again if there are any technology or software updates on our product.

SAFETY INSTRUCTIONS

1. Please read and understand this manual carefully before using the Murphy Bed Kit .

The installation should be done by an adult, and children should not use it without supervision.

2. Please install the Murphy Bed Kit completely before using the bed, otherwise it may cause serious harm to people.

3. Check the stability and safety of the kit for regular intervals and use should be stopped immediately in case of damage or suspicious problems.

4. Children should not use the kit alone to spread out or store the bed, otherwise they may be harmed.

Thank you very much for choosing this Murphy Bed Kit.

If there is any difference between the color of this product and the picture in the instruction manual, please refer to the physical object.

PARAMETER LIST

Model	YFVFU244
Adapted models	Full-Vertical
Mattress size	W×L:54×75in(1370×1900mm)
mattress thickness	6-10in(152-254mm)
Recommended mattress weight	57lbs(25.85kg)
Maximum mattress weight	75lbs(34 kg)

INSTRUCTIONS

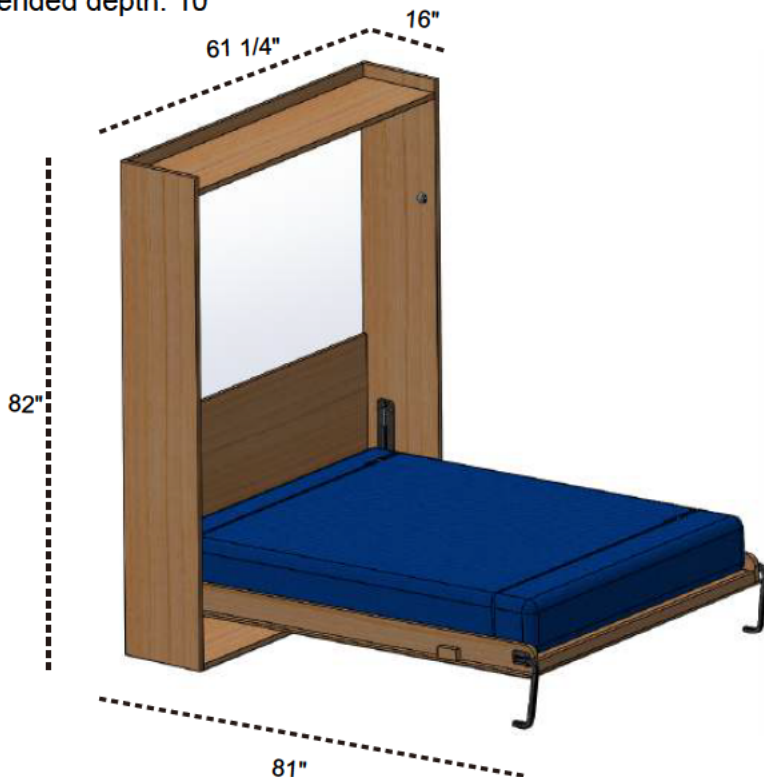
Murphy Bed Kit suitability Full-Vertical

Note: The Murphy Bed Kit does not include bed and bed cabinets, which need to be equipped by users themselves.

Standard Full Mattress

Recommended weight: 57lbs

Recommended depth: 10"



Weight capacity: 900 + lbs

If mattress up to 12" thick, depth of cabinet need to increased from 16" to 18".

1. General description

Use

The murphy bed system allows to bring the bed spring from its vertical position inside the cabinet in a horizontal positions, to be used as a bed , in a absolutely quick and easy way, with very low efforts.

Before using the Murphy bed, the user must be sure of its good condition and the good condition of its accessories.

Before using the Murphy bed, the user must make sure that on the sleeping surface there is only the mattress and bed linens.

2 . Safety

Safety standard

Compliance with the Safety standards puts the user in terms of working productively, without danger of harm to himself to others.



It's forbidden to use the product without any mattress on the bedspring surface.



It's forbidden to use the bed for a different use, than the one described previously in section USE.



Non correct installation or not made by specialized craftsmen, may cause detachments, breaking or dysfunctions with possible damages to persons, things or animals. All given instructions have to be strictly observed.

Before starting to use the product the users shall be aware of its functions and its technical features, learn through an accurate and complete reading of the present user's guide.

Tampering or replacement of bed parts that are not allowed.

The use of accessories or spare parts other than those recommended by the supplier, present a non proper and hazardous use of the product.



It's strictly forbidden to remove any safety device and protection (labels) on the set; periodically check the incidental position on the mechanism of blankets or else. Before starting any maintenance, repair work or cleaning the operator must have read and understood all technical information contained in this guide. Any maintenance and repair shall be performed by qualified personnel only.



WARNING !!!

Never place the product near any heat sources. Position and lock the bed system to be maintained clear of objects that may hinder its movement. The instructions and rules contained in this manual must be observed at all times.

Suggest using below materials for wooden cabinets and bed frame




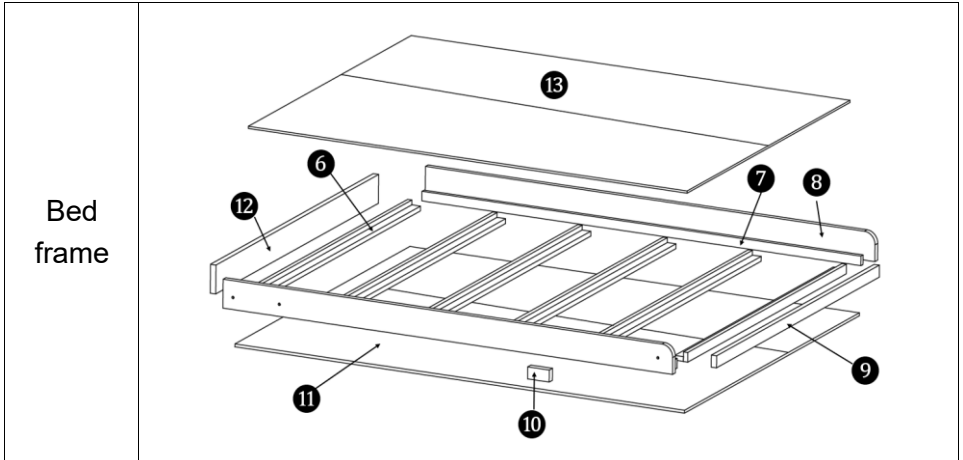
Wooden Sticks



Plywood Sheet

Technical features

Cabinet				
Number	Material	Dimension	QTY	Important
1	1inch Plywood	2082*406*25 mm (81 15/16x16x1inch)	2	<p data-bbox="848 1075 1012 1238">Internal dimensions of cabinet: 1504*388*1972 mm (59 3/16x15 1/4x77 5/8inch)</p> 
2	1inch Plywood	1504*388*25mm (59 3/16x15 1/4x1inch)	1	
3	1inch Plywood	1504*406*25mm (59 3/16x16x1inch)	1	
4	3/4 inch Plywood	1504*550*18mm (59 3/16x21 3/4x3/4inch)	1	
5	3/4 inch Plywood	1504*250*18mm (59 3/16x9 3/4x3/4inch)	1	



Number	Material	Dimension	QTY	Important
6	3/4 inch wood	40*20*1330 mm (1 9/16x13/16x52 3/8 in)	12	Weight of the bed frame : 54kg(118.8lbs) Dimensions of bed frame : 1947*1484*132 mm (76 5/8x58 7/16x5 1/4 in)
7	3/4 inch wood	40*20*1897 mm (1 1/2x3/4x74 11/16 in)	2	
8	1inch Plywood	1947*120*25 mm (76 5/8x4 3/4x1in)	2	
9	1inch Plywood	1370*50*25 mm (53 15/16x2x1 in)	1	
10	1-1/2 inch wood	32*32*100mm (1 1/4x1 1/4x4 in)	2	
11	1/2 inch Plywood	1947*1484*12 mm (76 5/8x58 7/16x1/2 in)	1	
12	1inch Plywood	1370*120*25 mm (53 15/16x4 3/4x1 in)	1	
13	3/8inch Plywood	1892*1366*9 mm (74 1/2x53 3/4x1/2 in)	1	

PS:The production of Murphy bed requires precise dimensions, and metric dimensions can meet this requirement. Therefore, the dimensions above are based on metric dimensions, and imperial dimensions are only for reference.

Bed frame				
Number	Material	Dimension	QTY	Important
14	mattress	1370*1900*(152-250mm) (54*75*(6-10)inch)	1	Weight of mattress: 25.85kg (57lbs)
TOTAL WEIGHT OF BED FRAME AND MATTRESS NEED TO BE:				79-82kg (174lbs-181lbs) 

Safety and Care Advice

- Check you have all the components and tools listed on the following pages.
- Remove all fittings from the plastic bags and separate them into their groups.
- Keep children and animals away from the work area, small parts could choke if swallowed.
- Make sure you have enough space to layout the parts before starting.
- During assembly do not stand or put weight on the product, this could cause damage.
- Assemble the item as close to its final position (in the same room) as possible.
- Assemble on a soft level surface to avoid damaging the unit or your floor.
- Parts of the assembly will be easier with 2 people.






- To reduce the likelihood of damaging your product please ensure that your power drill is set on a low torque setting.

Install the required tools

			 <p>13mm Open End Wrench</p>
	 <p>Screws Drive Bits</p>	 <p>Wood Drill Bit Dia 6mm</p>	 <p>Wood Drill Bit Dia11mm</p>
  <p>Horizontal adjustment tool</p>			

List of kit parts

Note: The quantities below are the correct amount to complete the assembly. In some cases more fittings may be supplied than are required.

 <p>A:Side Bracket x 2pcs</p>	 <p>B:Connect Bracket x 2pcs</p>	 <p>C:Leg x 2pcs</p>
------------------------------------------------------------------------------------------------------------------	---------------------------------------------------------------------------------------------------------------------	---------------------------------------------------------------------------------------------------------

 <p>D:YFGS400900A x 2pcs</p>	 <p>E:Mattress Strap x 2pcs</p>	 <p>F: Bearing x 4pcs</p>
 <p>G:Stopper x 2pcs</p>	 <p>H: Metal Nut M8x 4pcs</p>	 <p>Screw I: M5x20mm x72pcs</p>
 <p>J: Screw M4x20mm x8pcs</p>	 <p>Drilling template: 710*294mm</p>	 <p>Drilling template: 306*82mm</p>

Construction guide

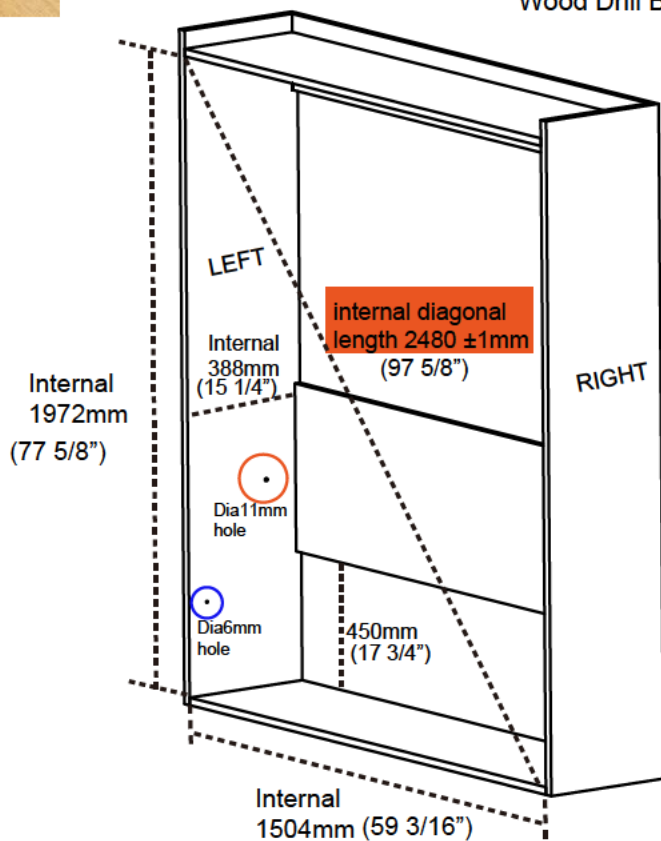
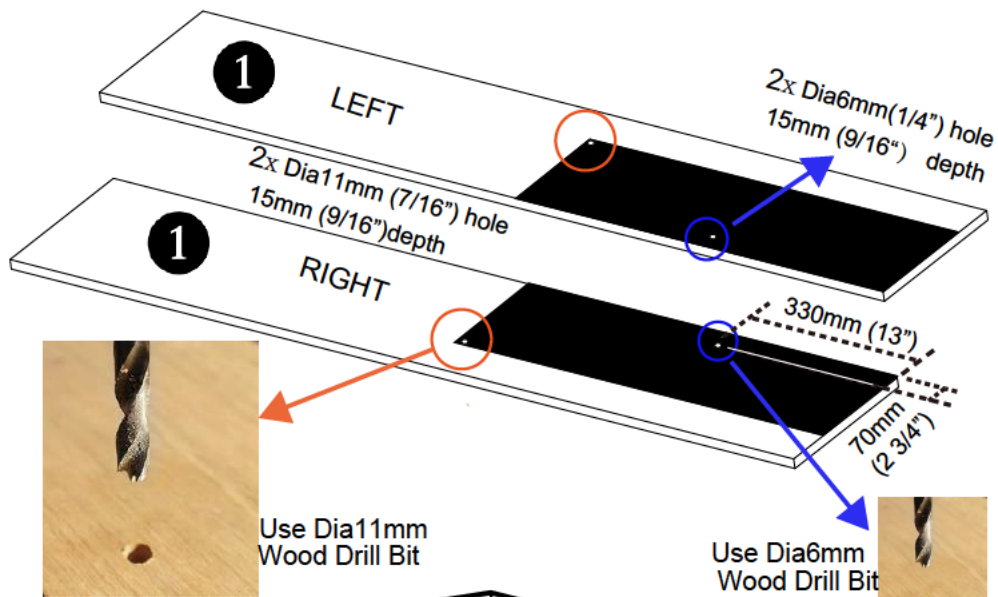
Step1:

Make the cabinet

Put the drilling template of 710*294mm on the side panel and ensure the edge of the template are flush with the side panel as the picture.

Mark the circular hole of the template on the side panel, then remove the template and drill Dia11mm hole & Dia6mm hole as the picture, depth of hole is 15mm.

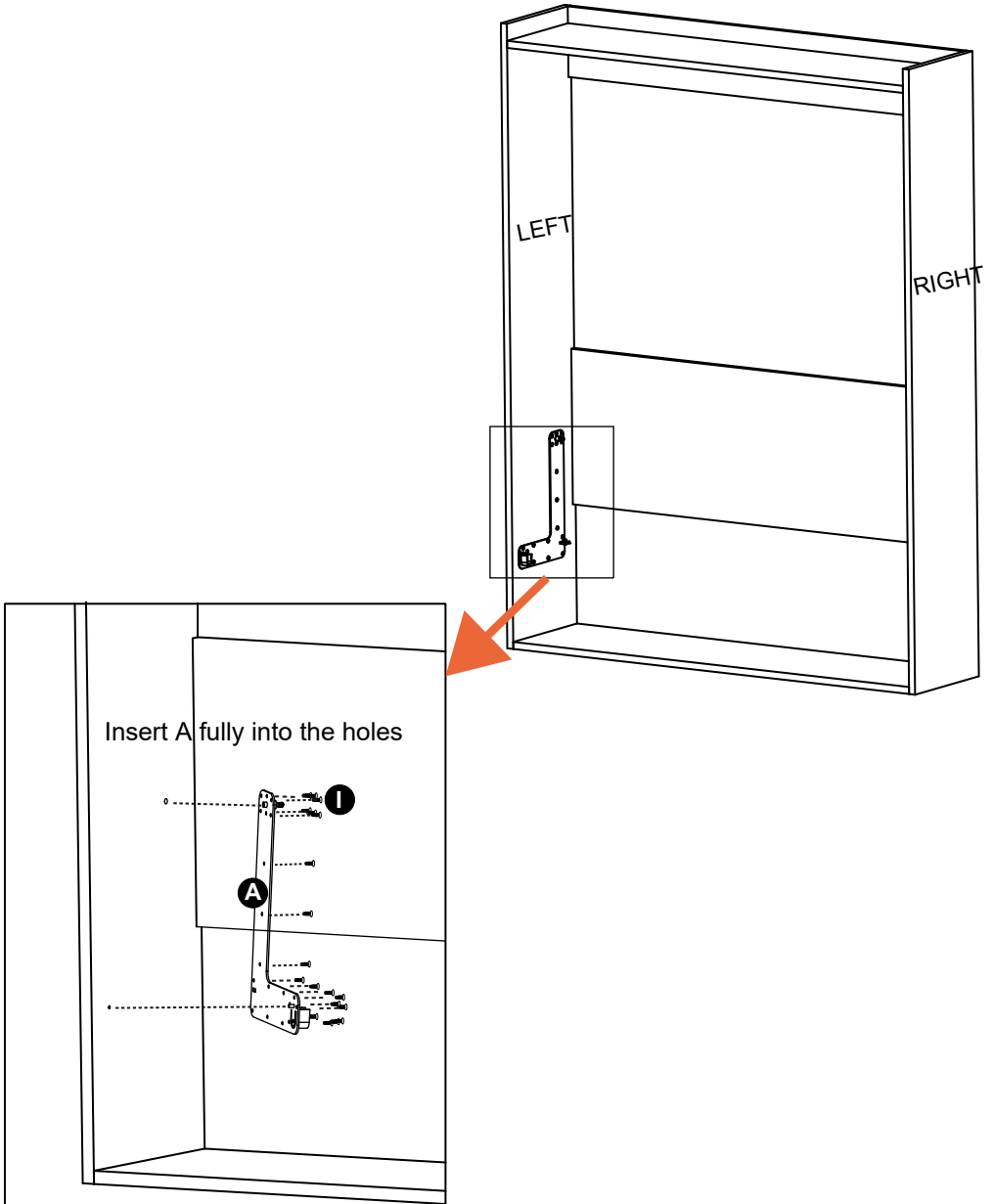
Make the cabinet with screws and waterproof wood glue, ensure the internal dimension as the picture, ensure the cabinet is stable and safety.



Step 2:

Insert the pin on the side bracket A fully into the Dia11mm hole and 6mm hole, fix A to cabinet with screws I.

Repeat the above installation on the other side.

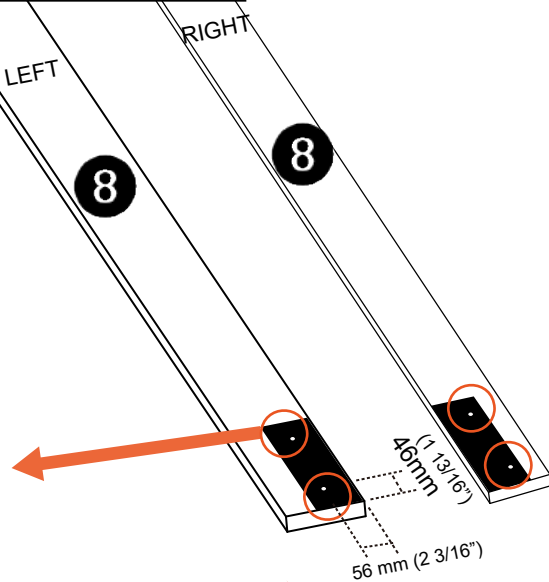
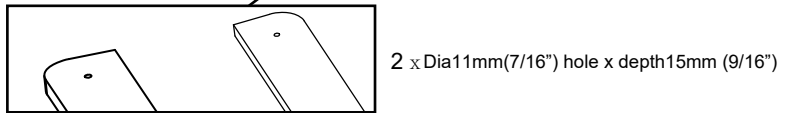
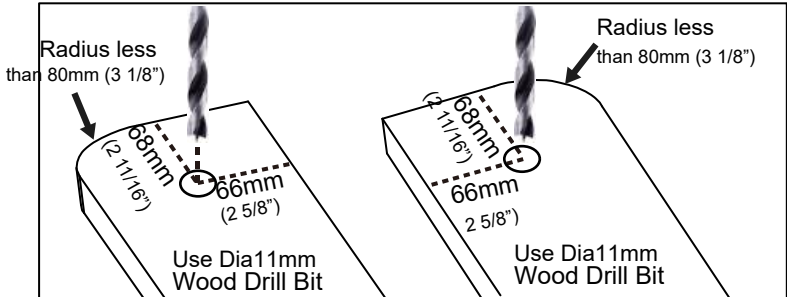


Step 3:

Put the drilling template of 306*82mm on the panel 8 and ensure the edge of the template are flush with the panel as the picture.

Mark the circular hole of the template on the panel 8, then remove the template and drill Dia11mm hole as the picture, depth of hole is 15mm.

Mark the drilling holes according to the dimensions as the picture on another side of the panel, then drill Dia11mm hole, depth of hole is 15mm



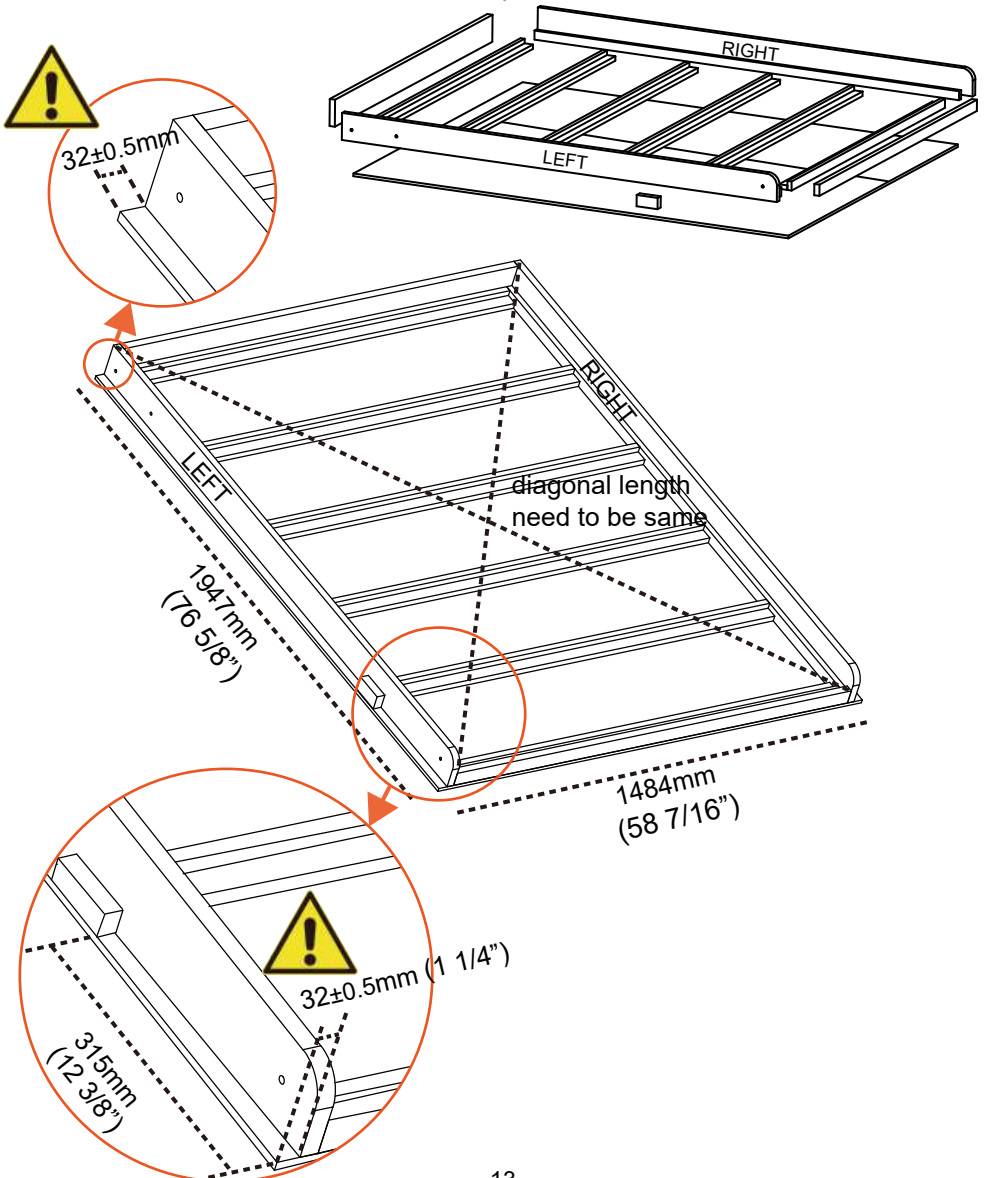
4 x Dia11mm (7/16") hole x depth 15mm (9/16")

Step 4:

Make the bed frame with screws and waterproof wood glue as picture. Ensure the dimension from the apron panel to the edge of the door panel are 32mm as picture.

Keep the diagonal length as picture are same.

Ensure the cabinet is stable and safety.



Step 5:

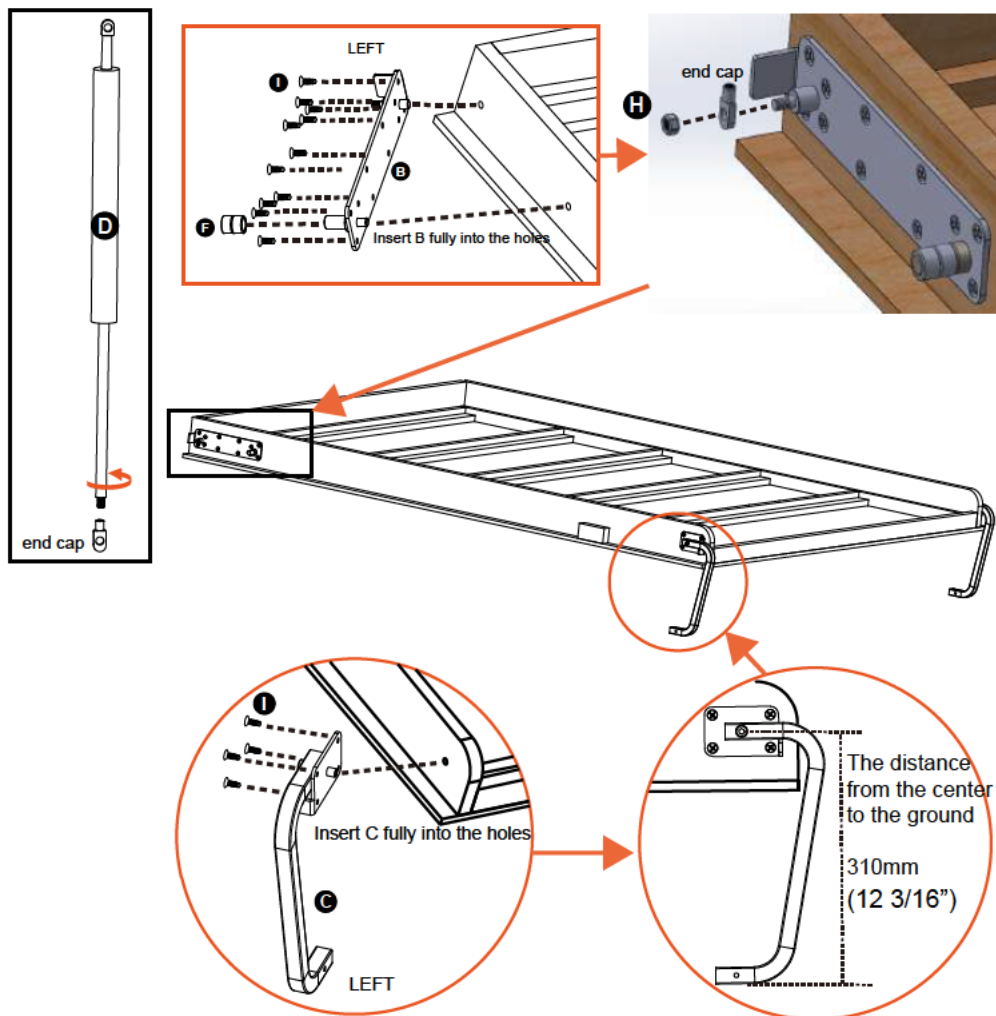
Insert the pin on the connect bracket B fully into the Dia11mm holes, then fix B to the bed frame with screws I.

Insert 2pcs bearing F to the connect bracket B as the picture.

Turn the end cap of the gas spring out as the picture, then install it to the connect bracket B and fix it with nut H as the picture.

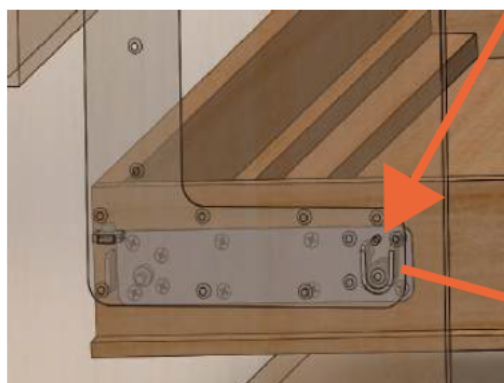
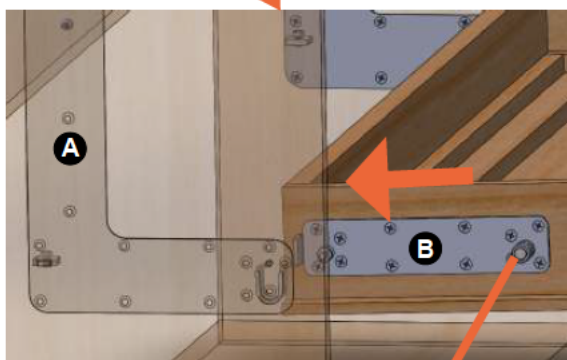
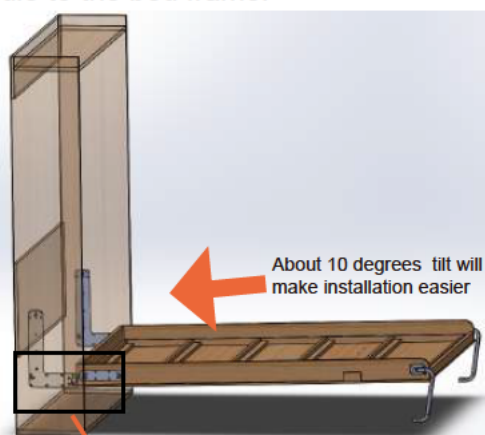
Insert the pin on the leg C fully into the Dia11mm holes, then fix C to the bed frame with screws I. Keep the distance from the center to the ground is 310mm as the picture.

Repeat the above installation on the other side.



Step 6:

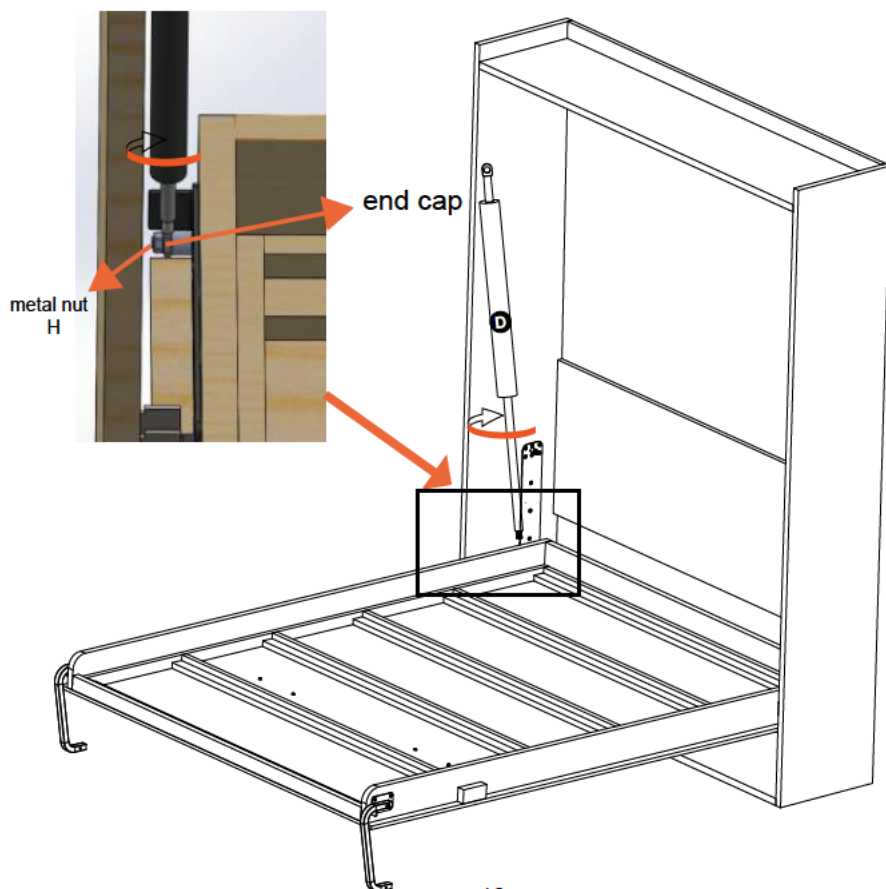
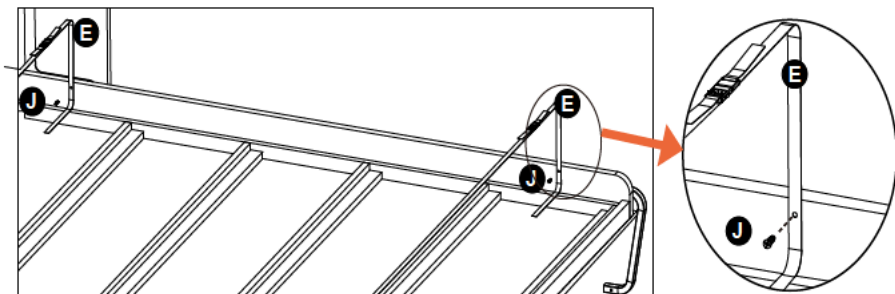
Insert the bed frame with a little angle to the cabinet as the picture.
Put the connect bracket B with bearing F on the side bracket A as the picture. Install the handle to the bed frame.



Step 7:

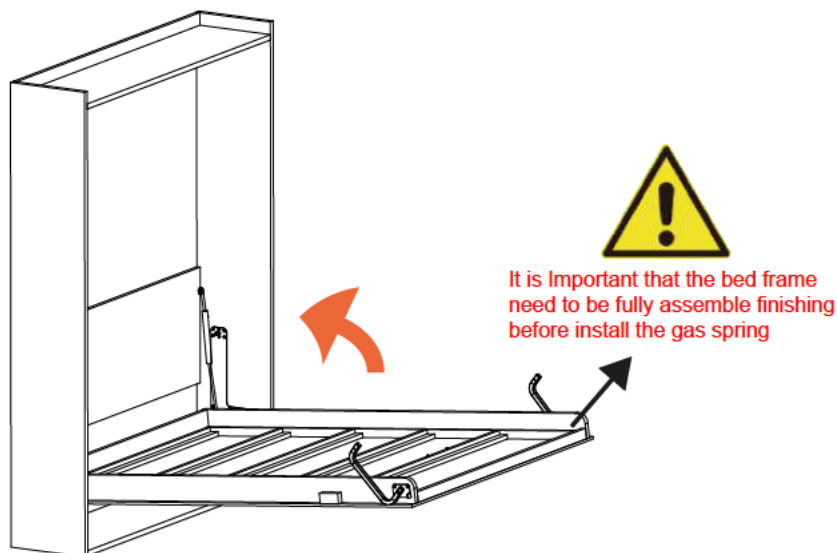
First, attach the two mattress straps E to the bed frame with a screw J ;
Then turn the gas spring D into the end cap as the picture, tighten the gas spring with the end cap ;

Repeat the above installation on the other side.



Step 8:

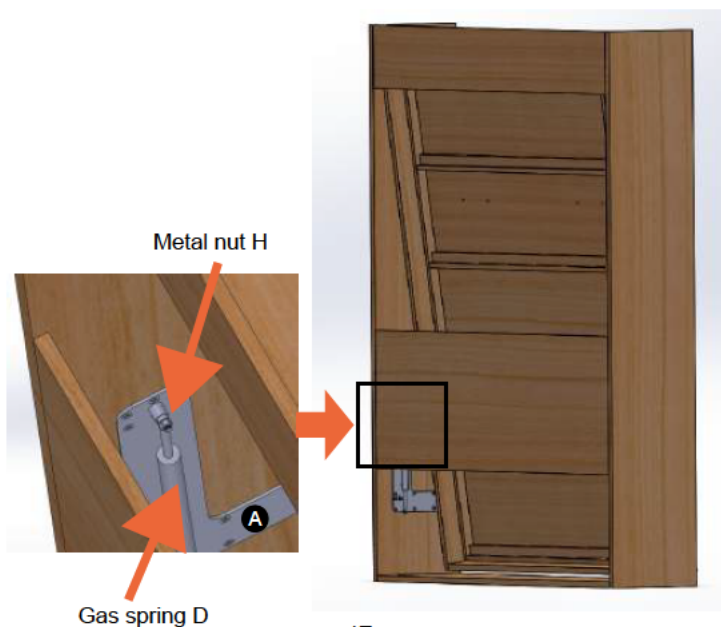
Close the bed frame into the cabinet as the picture.



Step 9:

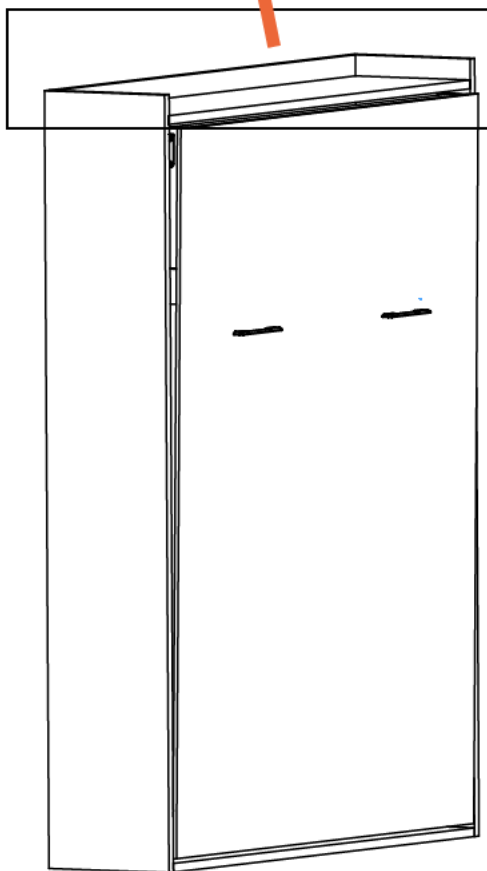
Install the gas spring D to the A bracket from the back of cabinet, fix it by metal nut H.

Repeat the above installation on the other side.



Step 10:

Fix the cabinet to solid wall. The cabinet must be fixed to the wall before open it.



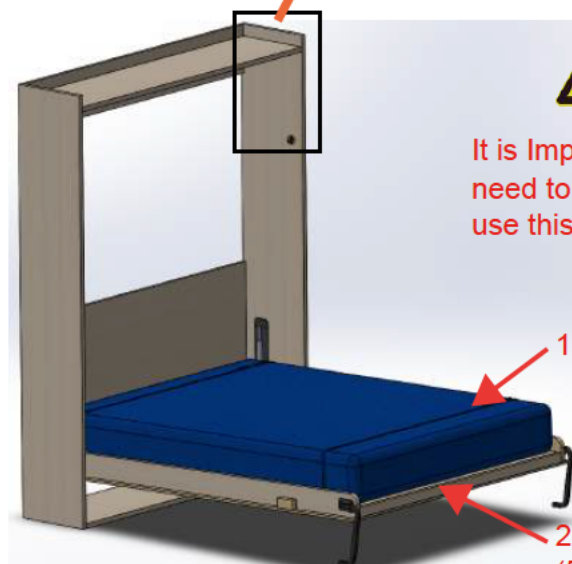
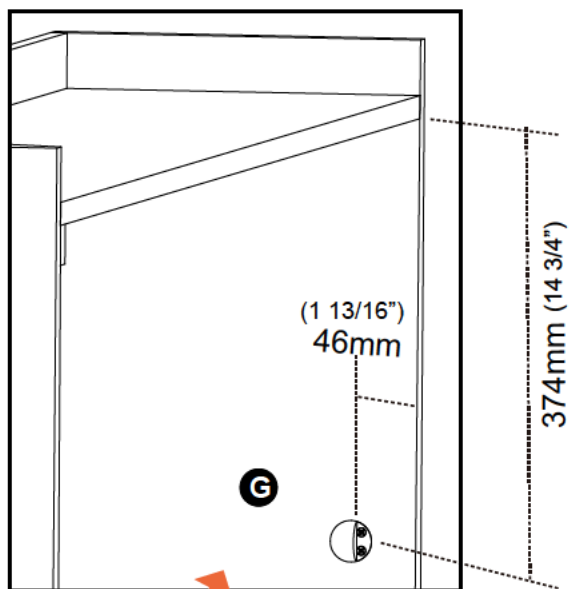
Step 11:

Open the bed, put the panel 13 on the bed frame.

Put the mattress on the bed frame and fix by the straps E.

Install the stopper G to cabinet with screws J.

Repeat the above installation on the other side.



It is Important that the weight need to achieve below before use this murphy bed:

1. Mattress: 57lbs(26kg)

2. Bed frame: 117-124lbs (53-56kgs)

Manufacturer: Shanghaimuxinmuyeyouxiangongsi

Address: Shuangchenglu 803nong11hao1602A-1609shi, baoshanqu, shanghai 200000 CN.

Imported to AUS: SIHAO PTY LTD. 1 ROKEVA STREETEASTWOOD NSW 2122 Australia

Imported to USA: Sanven Technology Ltd. Suite 250, 9166 Anaheim Place, Rancho Cucamonga, CA 91730

UK	REP
-----------	------------

YH CONSULTING LIMITED. C/O YH Consulting Limited Office 147, Centurion House, London Road, Staines-upon-Thames, Surrey, TW18 4AX

EC	REP
-----------	------------

E-CrossStu GmbH
Mainzer Landstr.69,
60329 Frankfurt am Main.

VEVOR[®]

TOUGH TOOLS, HALF PRICE

Technical Support and E-Warranty Certificate

www.vevor.com/support