

Installation & Assembly



8'X8'

PATIO UMBRELLA

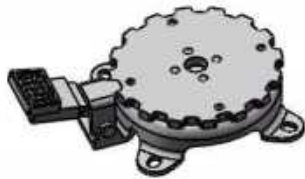
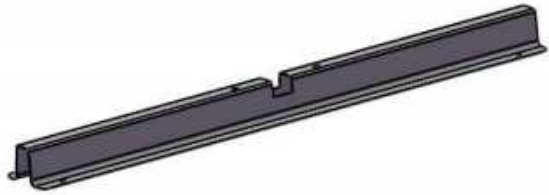
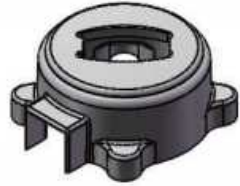
STRATUS SERIES

***T**hank you for your purchase of*

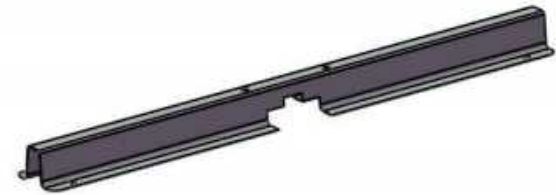
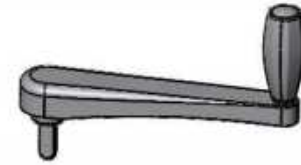
Read and follow this assembly and operation guide.

*To reduce personal injury and damage to your umbrella,
Please **close** your umbrella when it is incoming over **30 mph** wind.
We recommend a **two-person team** for assembly and disassembly.*

*If you like our products, please tell other customers
If you have problem with our products, please tell us*



S6



Φ8

Important

Prior to assembly, it is important to choose the location of the umbrella.

- We recommend a **two-person team** for assembly and disassembly.
- Allow **ample height** to avoid damage to your umbrella during assembly and usage.
- Choose a location that is **level and sturdy**.
- Consider a location that will maximize the umbrella's rotating swivel function. Placing the umbrella **between two entertaining areas is ideal**.
- To avoid personal injury or damage to the umbrella, make sure the **area** around you is **clear** from any outdoor structure or furniture.
- **Keep all the flame and heat sources away** from this umbrella.

STORAGE: Properly store the umbrella when not in use. Close the umbrella, fasten the strap around the canopy and cover the umbrella with a protective cover.

NOTE: DO NOT discard any packaging or box until assembly is complete.

CAUTION:

Moving the umbrella when it is fully open will increase the risk of damage to your umbrella or will cause serious injury.

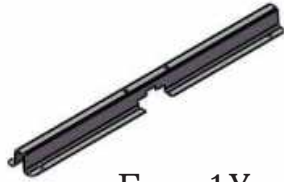
ATTENTION:

Please remove the protective film prior to use

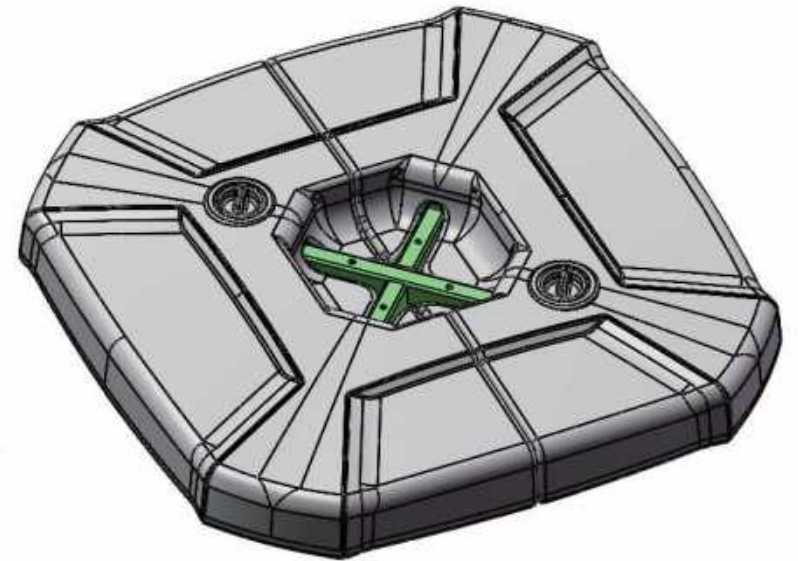
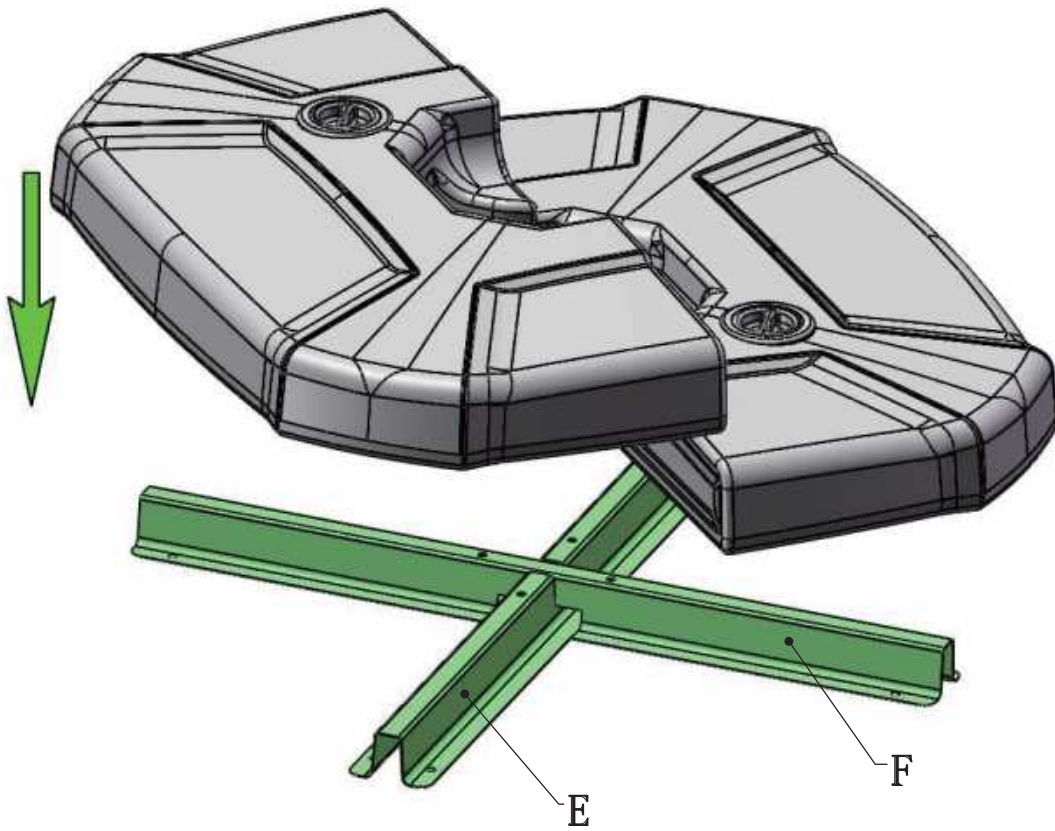
Base Tube Assembly



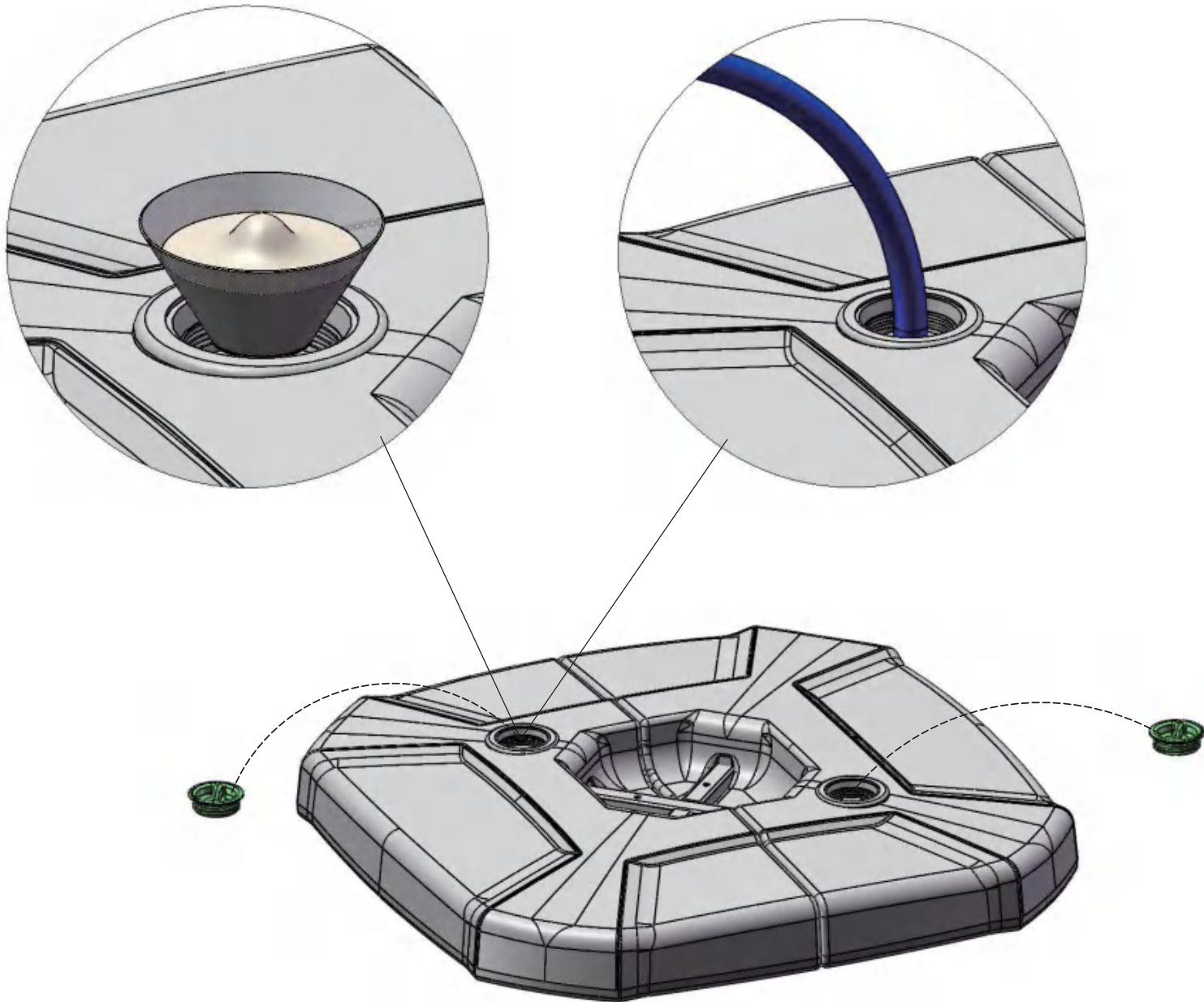
E 1X



F 1X



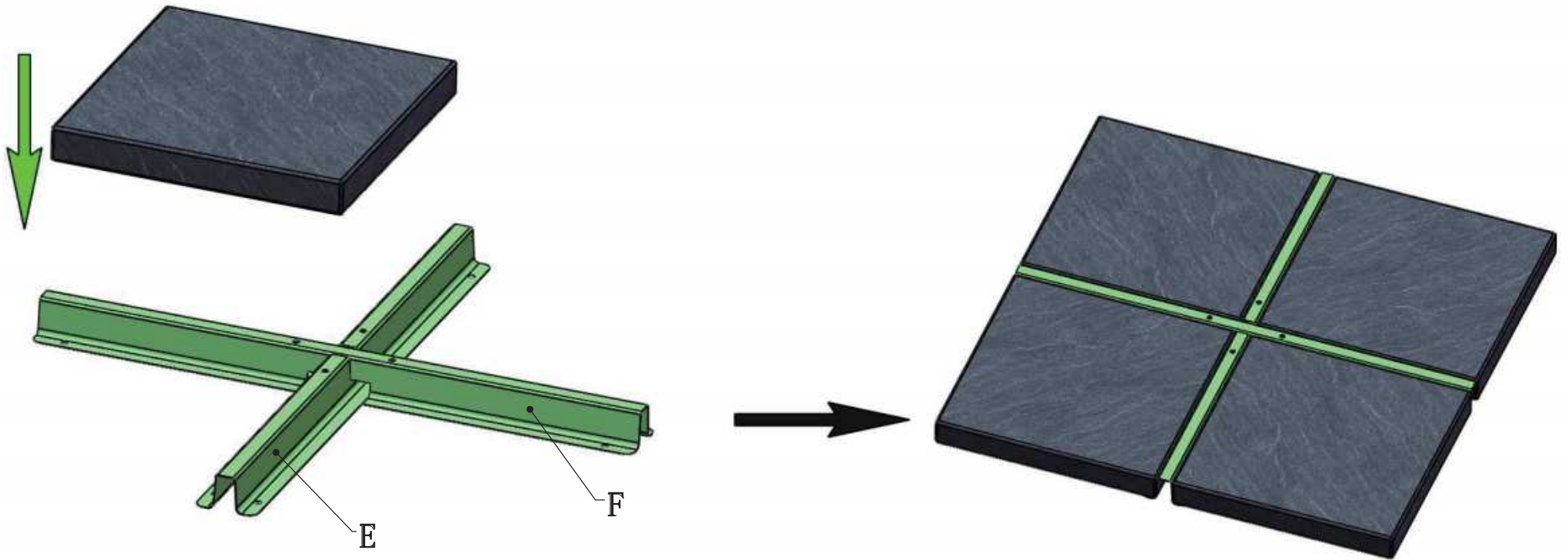
Base Tube Assembly



Base Tube Assembly

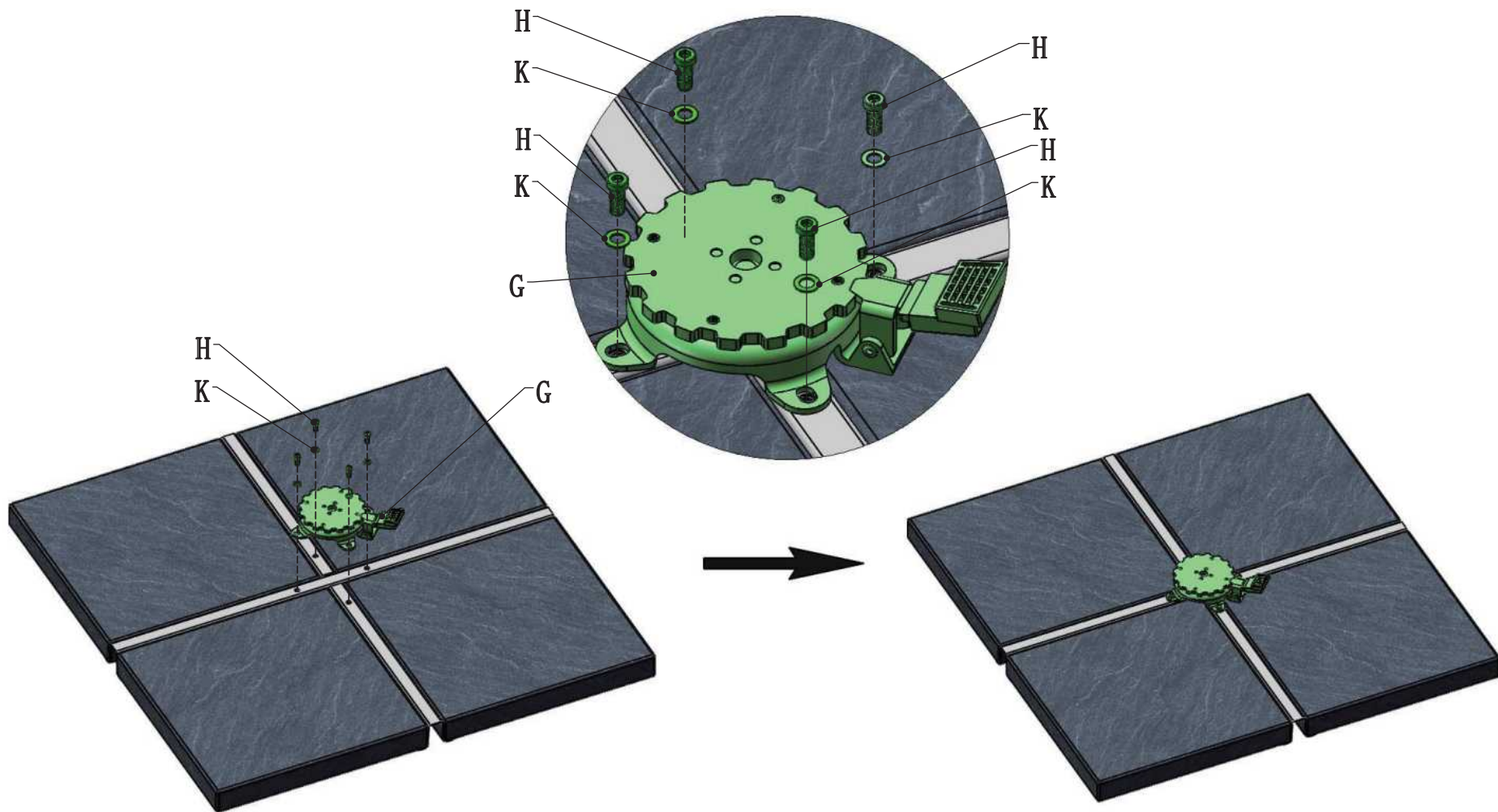
E 1X

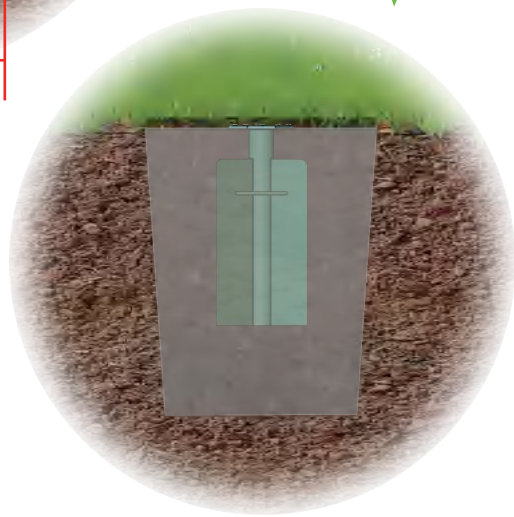
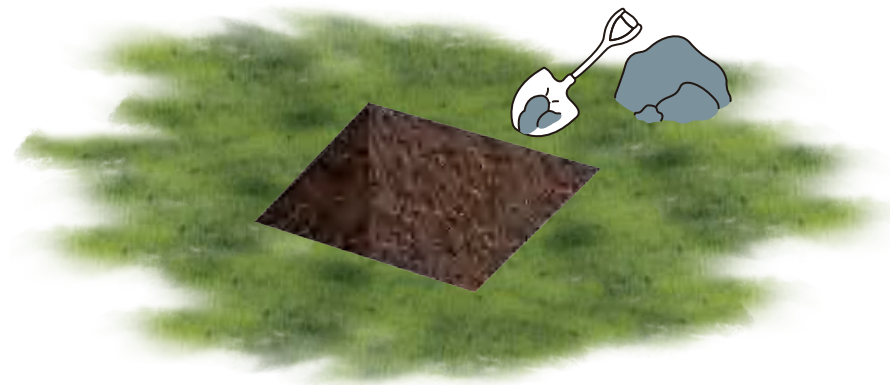
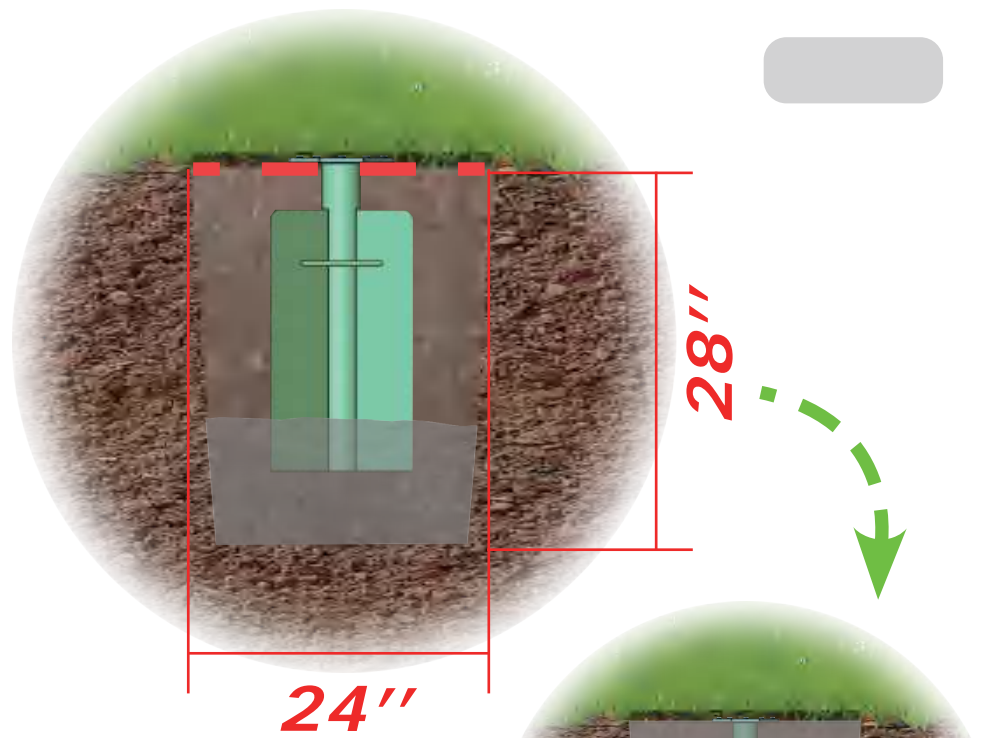
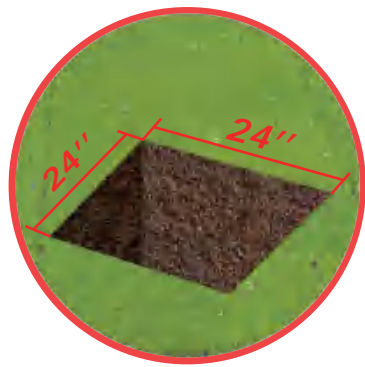
F 1X

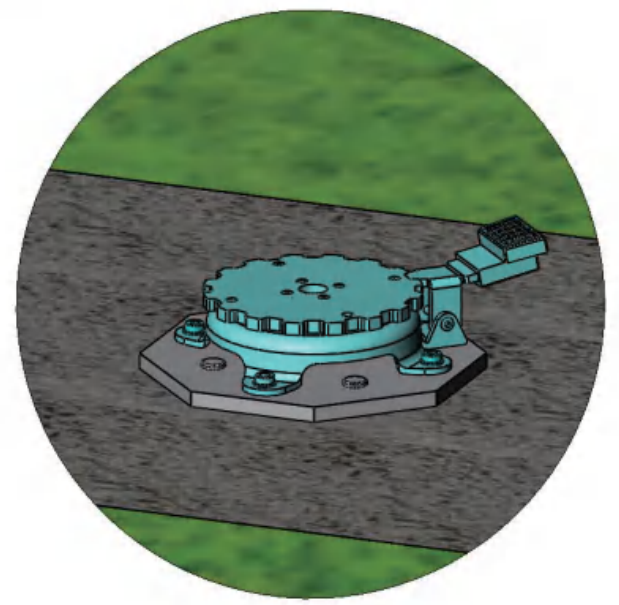
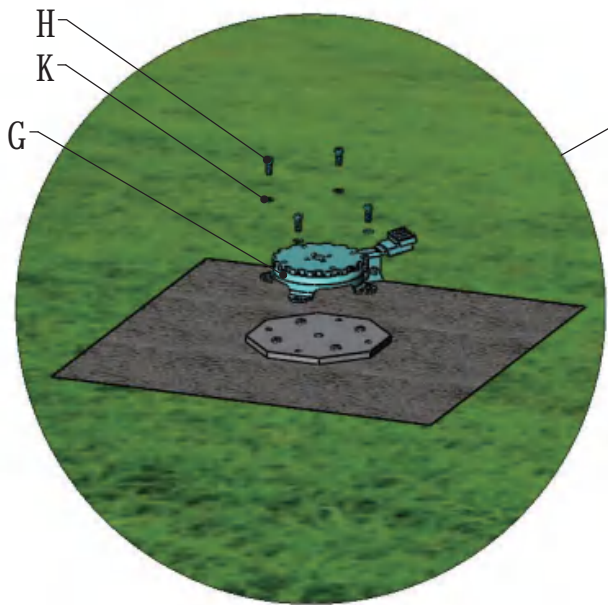
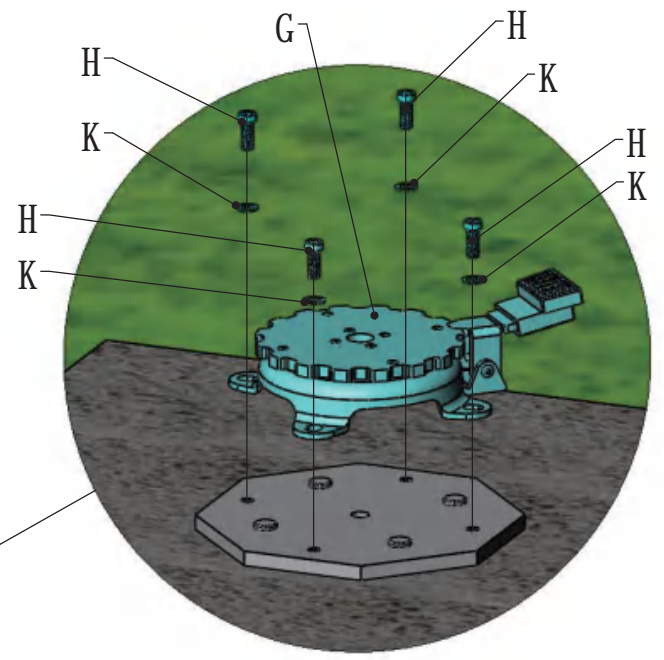
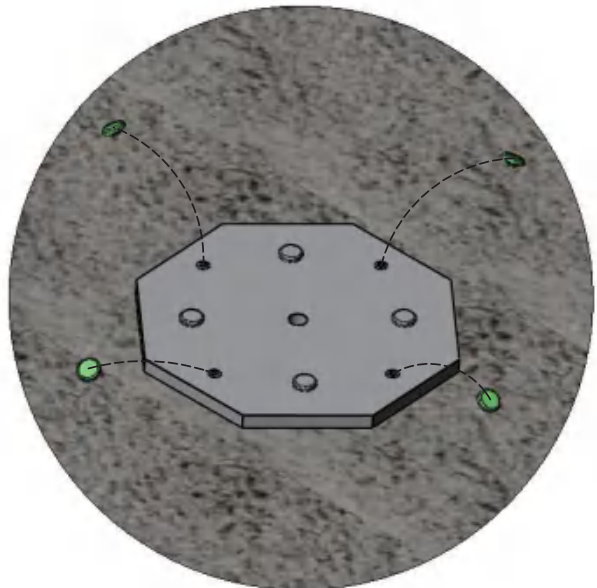


Base Tube Assembly

		M8*20		$\Phi 8$		S6	
G	1X	H	4X	K	1X	L	1X









G 1X



M8*20

H 4X



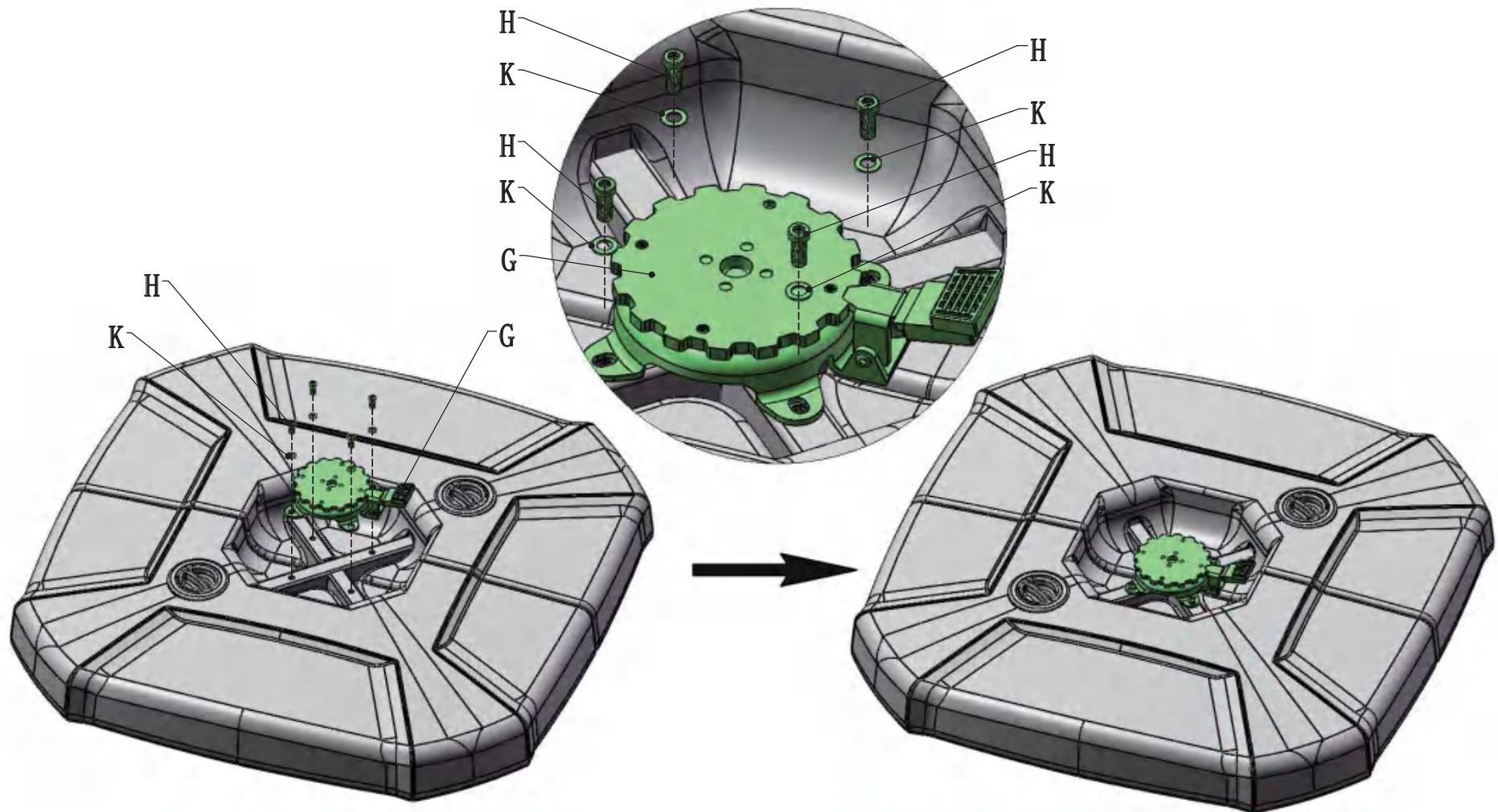
Φ8

K 1X



S6

L 1X





B 1X



M8*15

J 4X



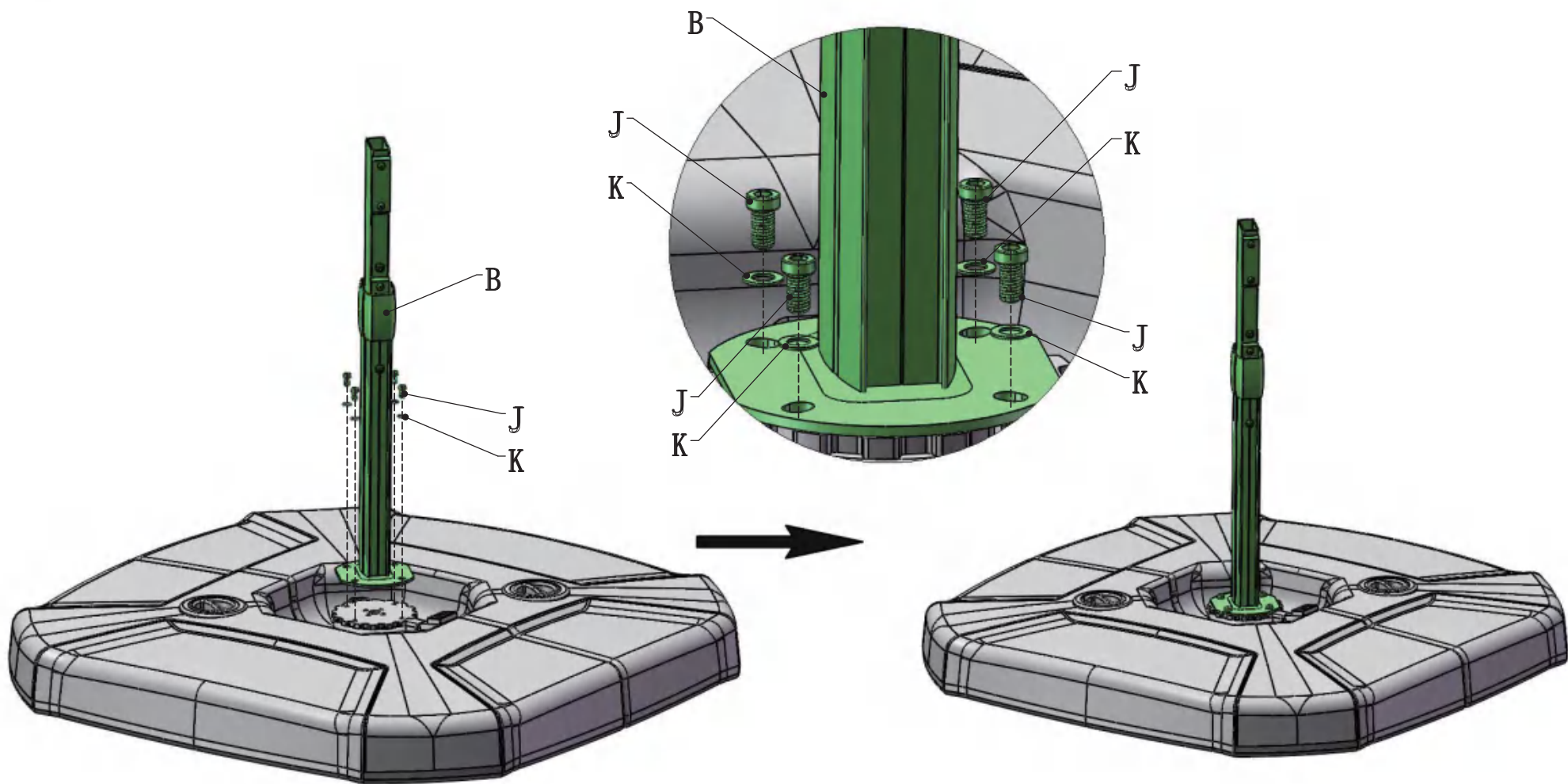
Φ8

K 4X



S6

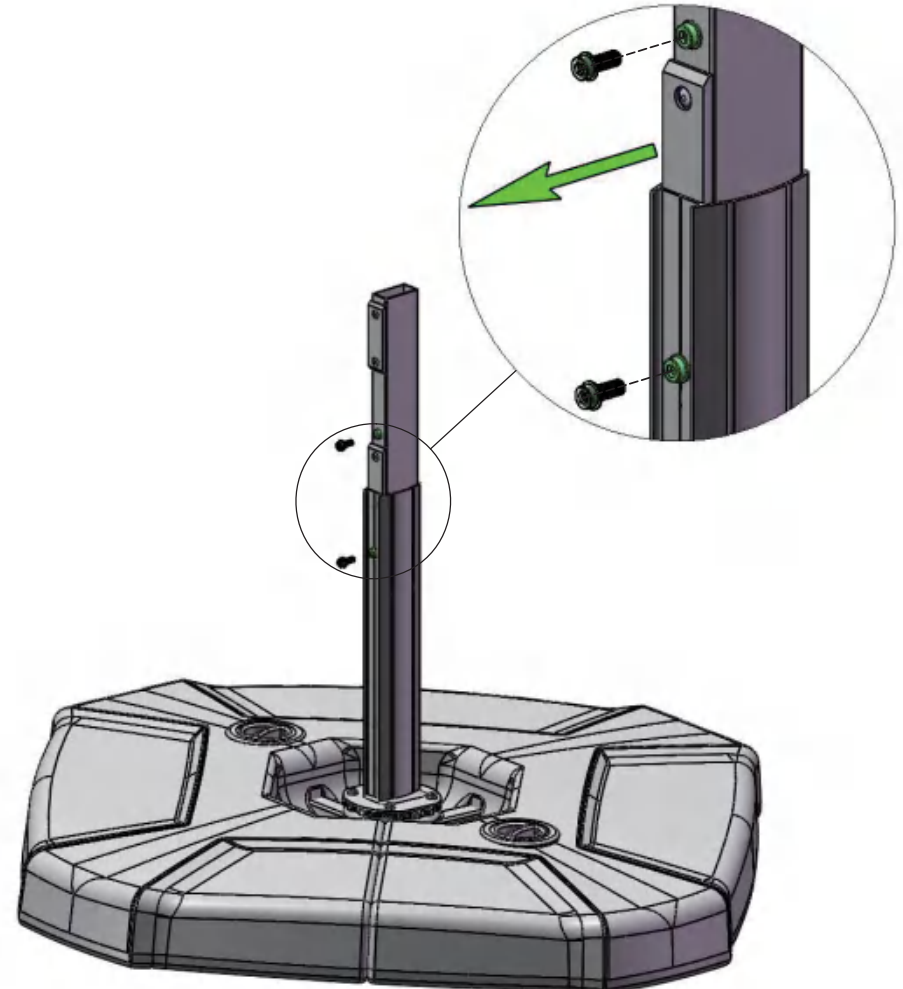
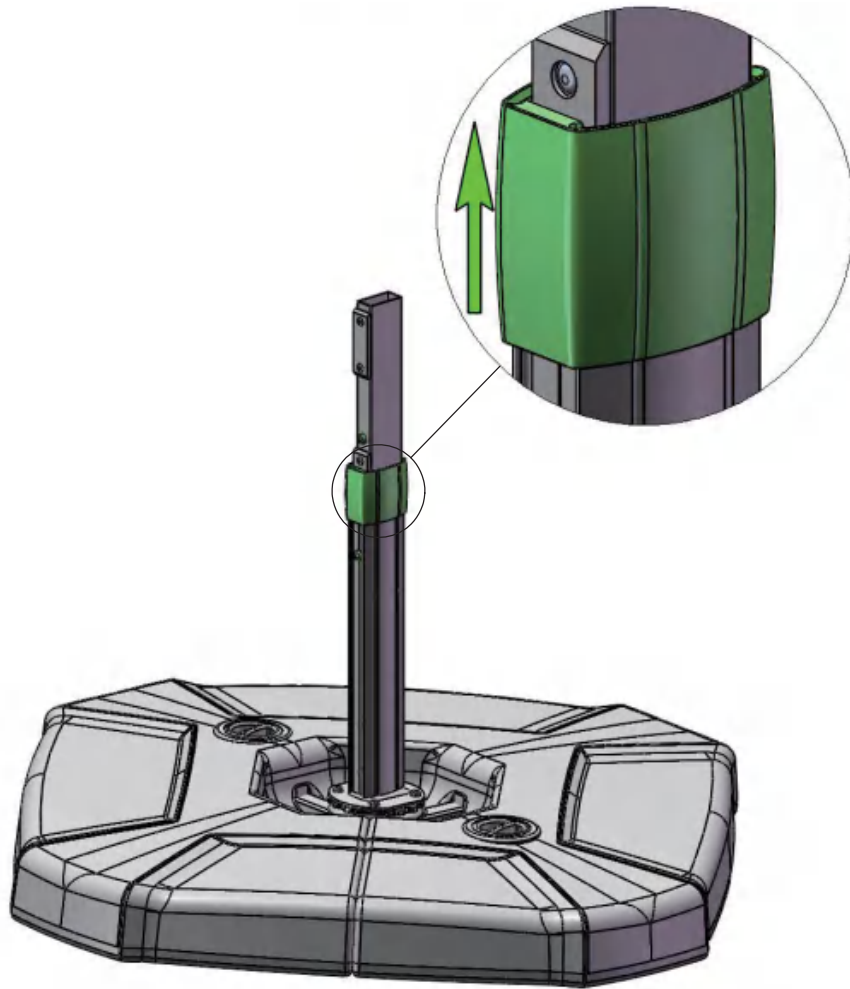
L 1X





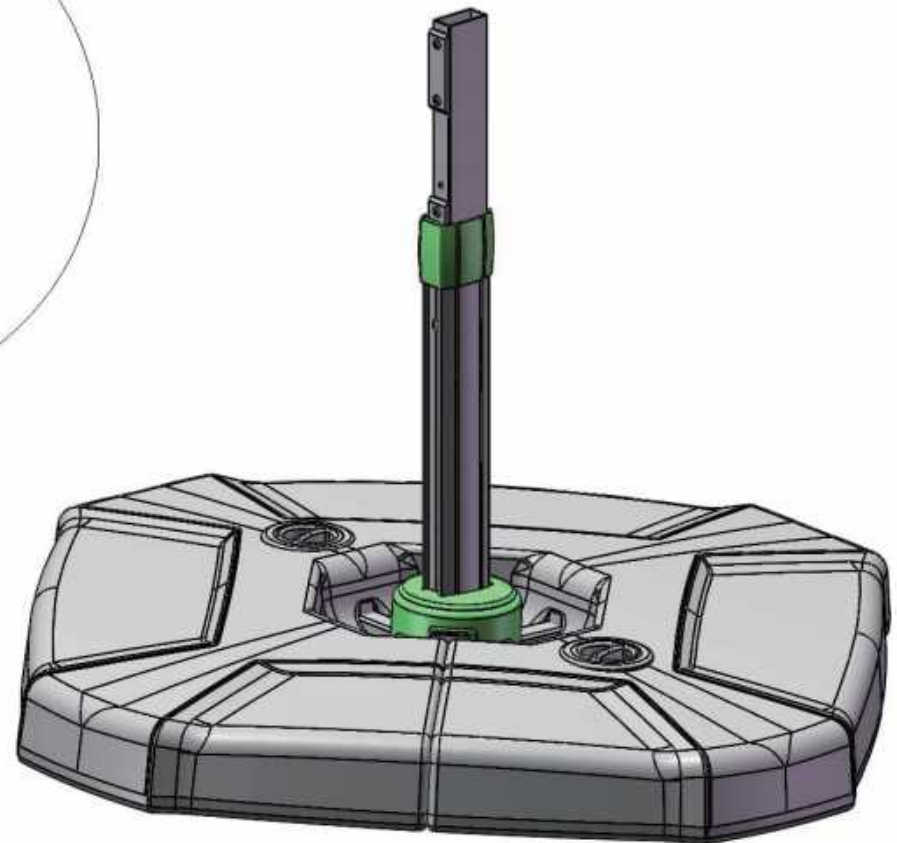
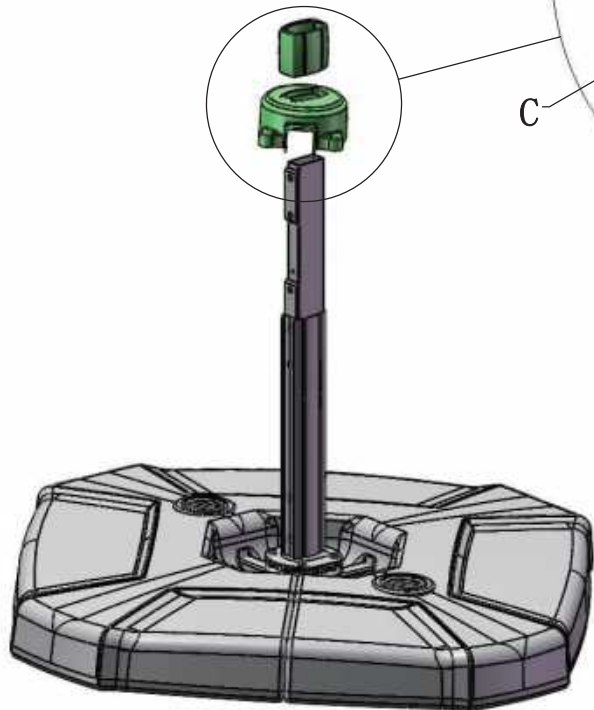
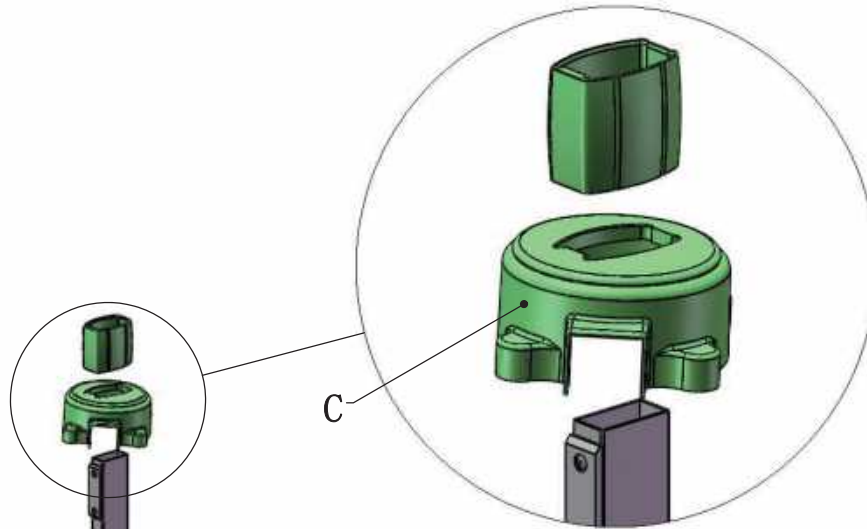
S6

L 1X





C 1X



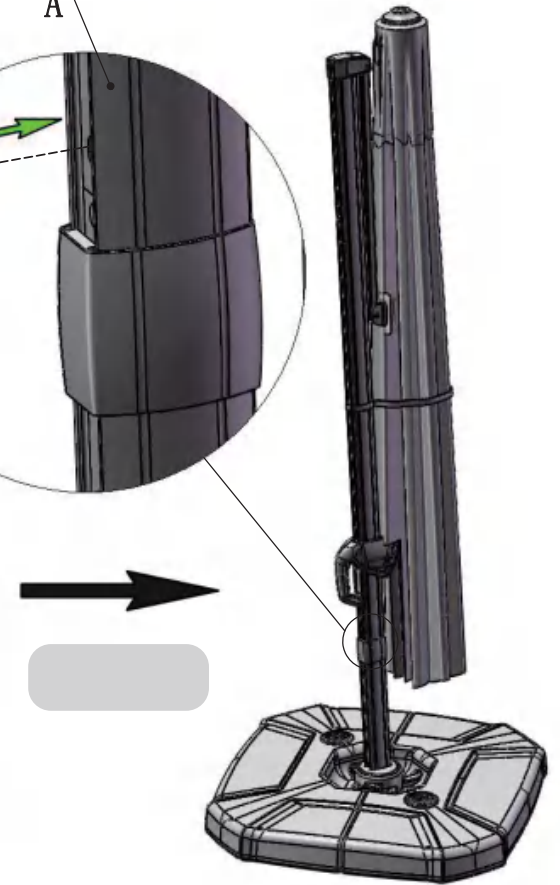
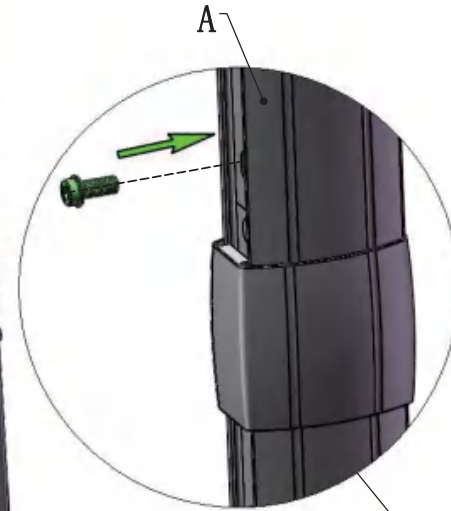
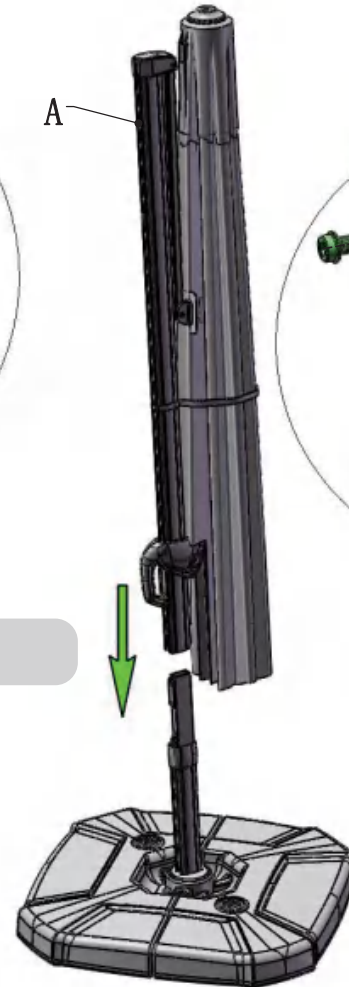
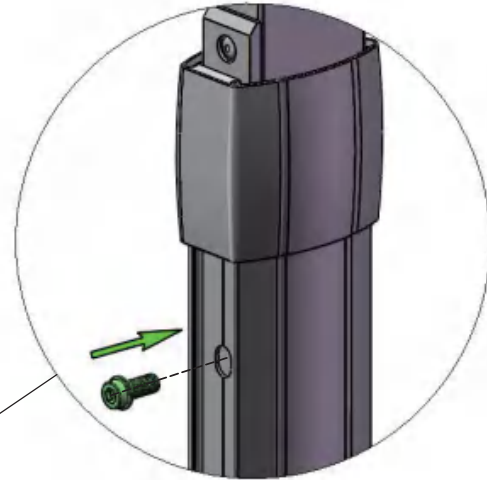


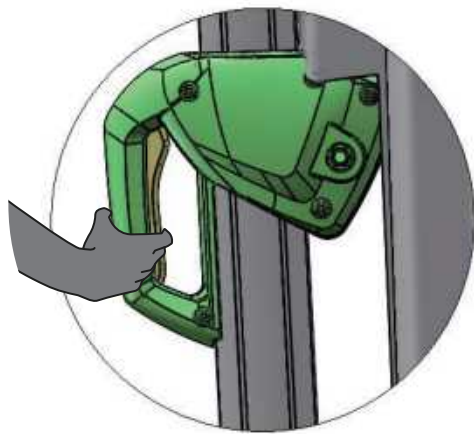
A 1X



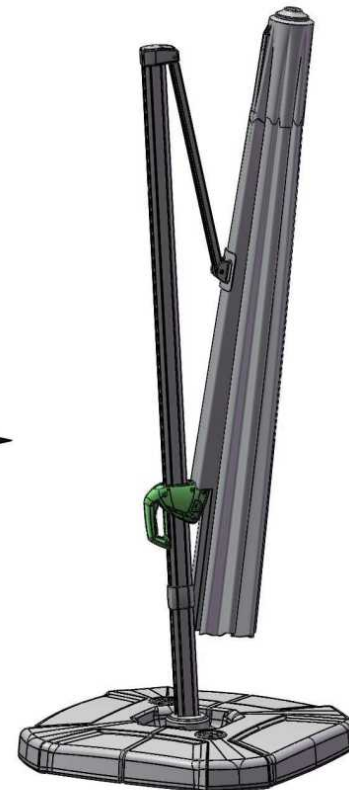
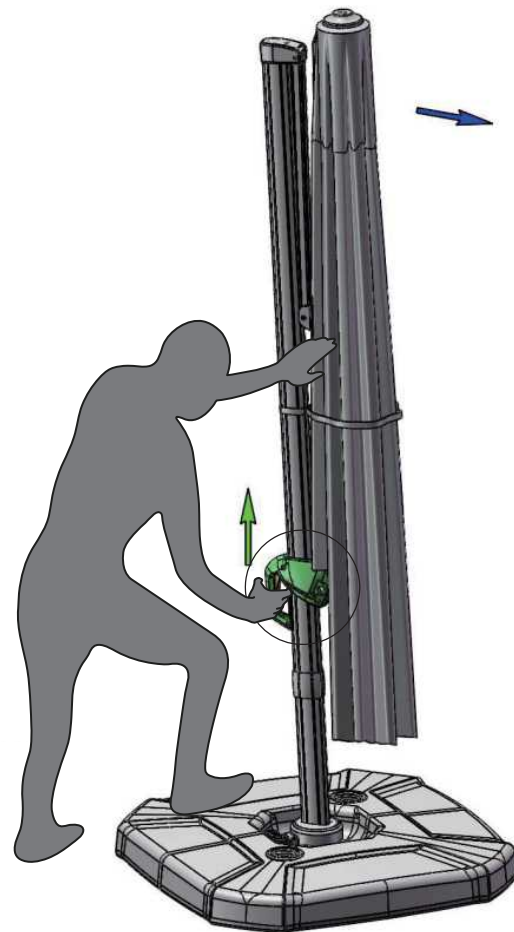
S6

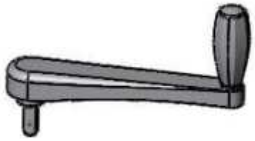
L 1X





**squeeze
the
Trigger**





M 4X

