

WARRANTY

So glad you have completed the assembly and can enjoy it. If you are satisfied with our products, thank you for showing your favored Outdoor Furniture Recliner to your around.

Our products come with a 12-month warranty, you can feel free to contact us at any time.

Methods :

If you place order on amazon. Please enter the website amazon going to your Amazon order detail page, Order>sold by>contact seller
(Guaranteed response within 24 hours)

AFTER-SALE POLICY

For return reason:

Wrong purchase, bought by mistake, no longer needed, doesn't meet expectation, a size smaller than expectation, customer need to cover the return shipping fee.

For cancel order:

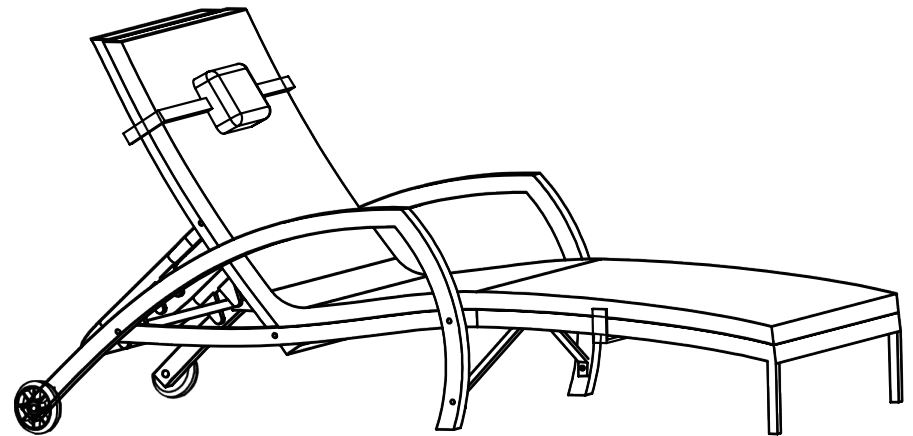
Customer needs to pay for shipping fee and carrier handle fee if the item has been shipped out.

For change address: customer needs to pay for extra shipping fee and carrier handle fee if the item has been shipped out.

Customer Service:

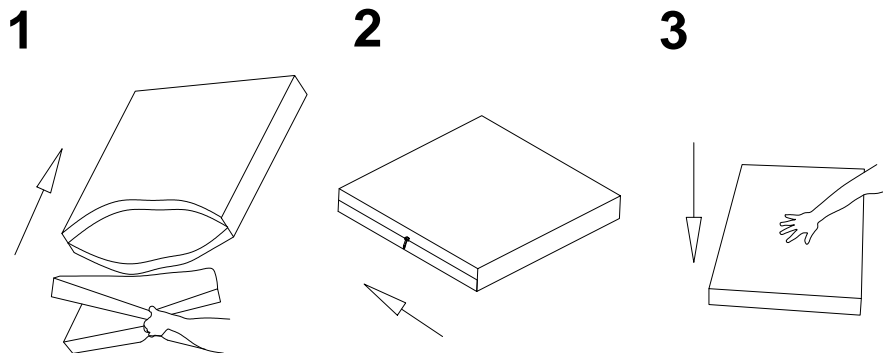
Any problem with the product or shipping issue, please feel free to contact us, we will try our best to serve and help.

OUTDOOR FURNITURE RECLINER ASSEMBLY INSTRUCTION



Assembly Instruction

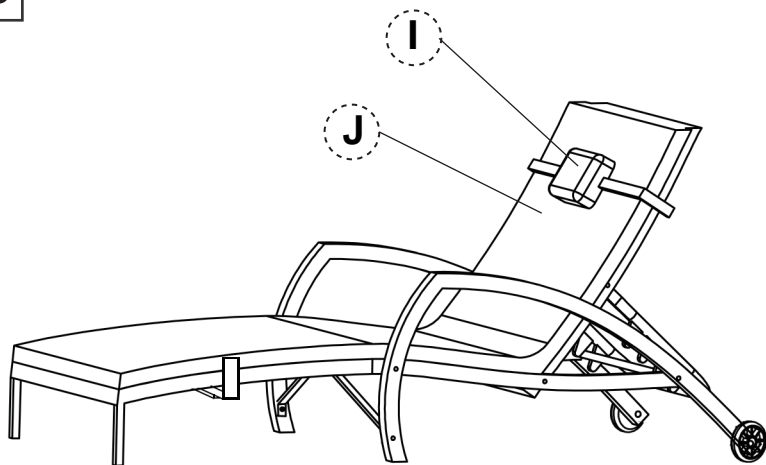
1. Fold the cushion and tuck it into the cover
2. Zip it up
3. Tap firmly on each side to let the foam be fully fitted.



Step 8

I *1

J *1



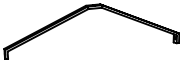
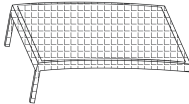


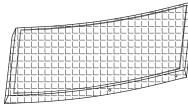

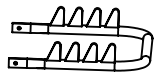
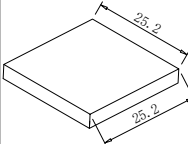
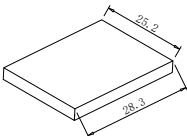
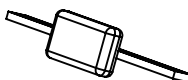
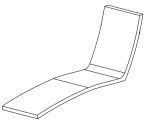
ATTENTION

Thanks for choosing our product.

1. Please check the manual carefully and make sure you have received all the parts.
2. If there is any missing, please let us know the letter of the parts you need.
3. If there is any damage, please send clear photos to us, we will check and offer you best solution soon.

Assembly Instruction

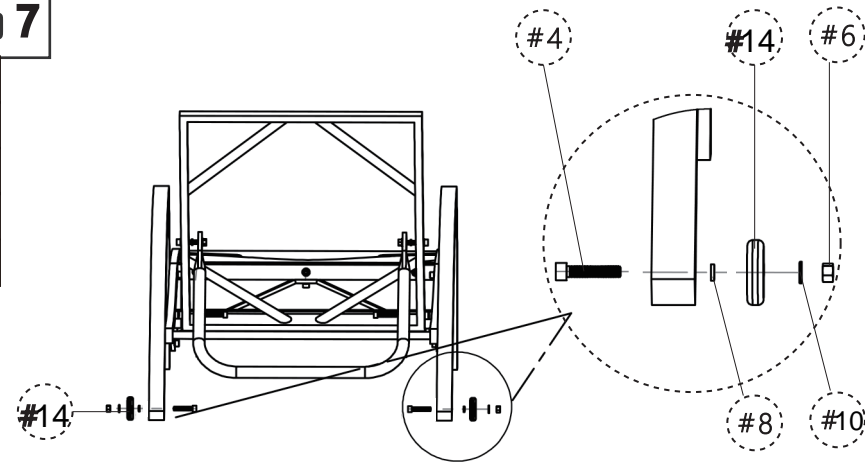
Parts List

A 	B 	C1 	C2 	D 
1 pc	1 pc	1 pc	1 pc	1 p c
E 	F 	G 	H 	I 
1 pc	1 pc	2 pcs	1 pc	1 pc
J 				
1 pc				

Assembly Instruction

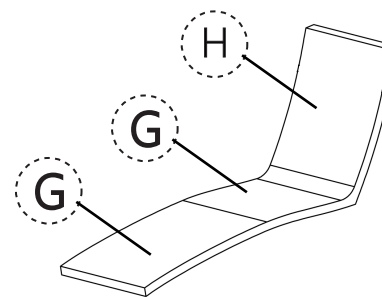
Step 7

- #4*2
- #6*2
- #8*2
- #10*2
- #14*2



How to fit a foam cushion

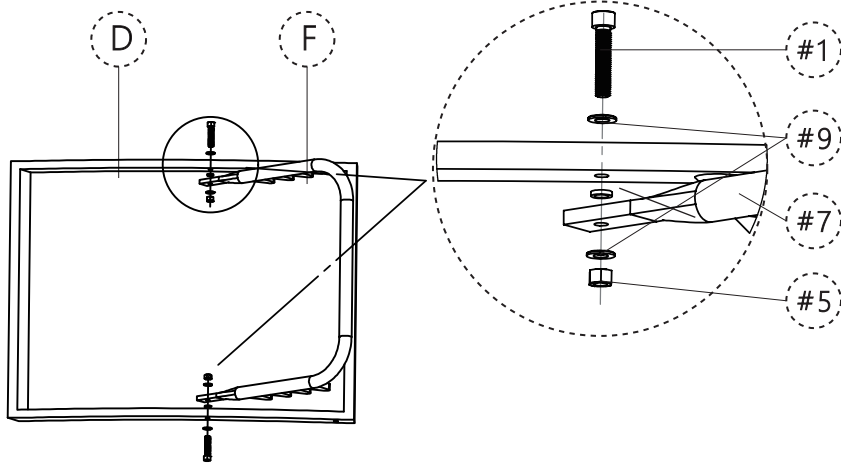
(NOTE: The foam has different sizes, please refer to the pic to choose the right foam to tuck into the cover)



Assembly Instruction

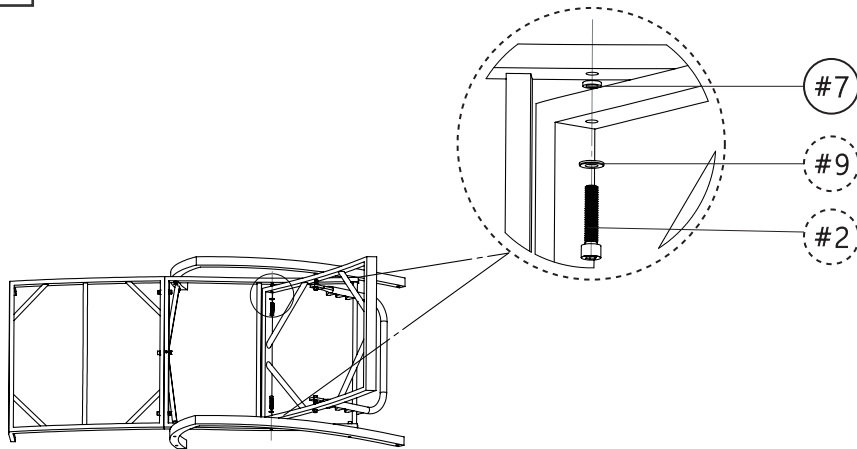
Step 5

- D*1
- F*1
- #1*2
- #5*2
- #7*2
- #9*4















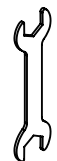

Step 6

- #2*2
- #7*2
- #9*2



Assembly Instruction

Hardware List

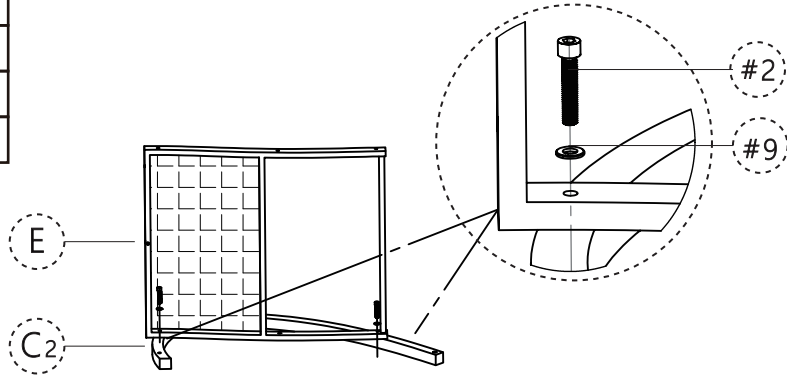
#1  M6*15mm 4 pcs	#2  M6*40mm 7 pcs	#3  M6*55mm 3 pcs	#4  M8*80mm 2 pcs	#5  M6 5 pcs
#6  M8 2 pcs	#7  M6*4mm 4 pcs	#8  M8*4mm 2 pcs	#9  M6*14mm 19 pcs	#10  M8*17mm 2 pcs
#11  M6 1 pc	#12  M8 1 pc	#13  1 pc	#14  2 pcs	

Please note: You will receive totally 1 box, please check carefully if there are any missing parts before installation. If there are any missing parts, please place all the parts and take pictures then tell us the missing part number. We will reply you as soon as possible.

Assembly Instruction

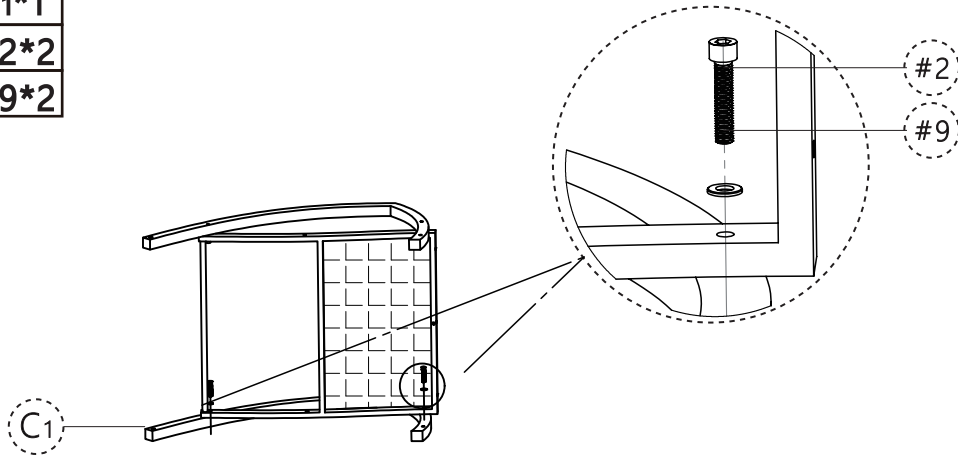
Step 1

C2*1
E *1
#2*2
#9*2



Step 2

C1*1
#2*2
#9*2

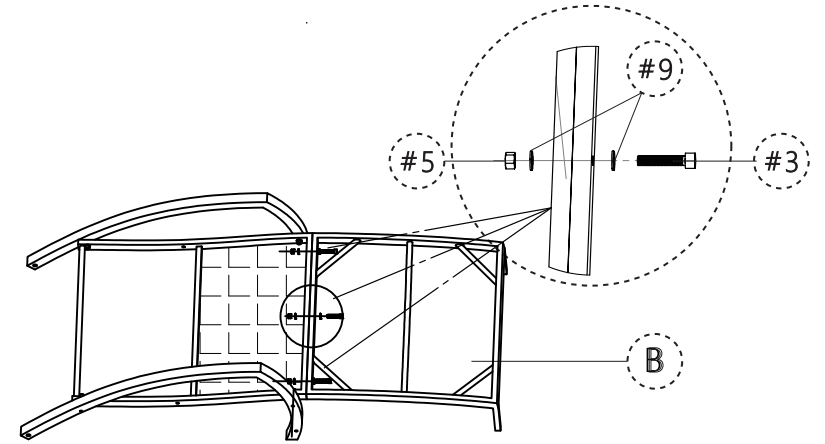


3

Assembly Instruction

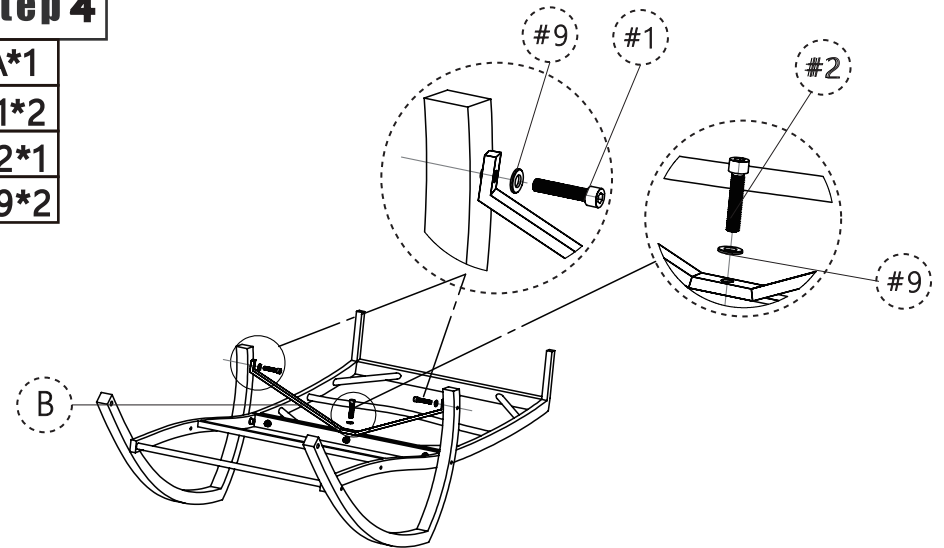
Step 3

B*1
#3*3
#5*3
#9*6



Step 4

A*1
#1*2
#2*1
#9*2



4