

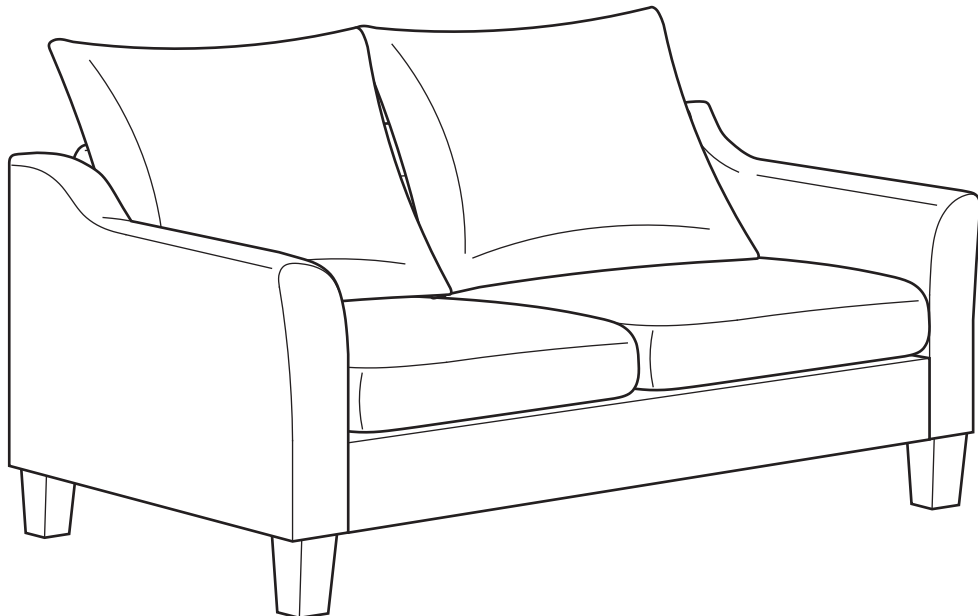
ASSEMBLY INSTRUCTION

IMPORTANT NOTE:

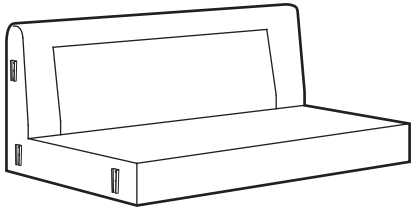
** PLACE ALL PARTS ON A CLEAN AND SMOOTH SURFACE SUCH AS A RUG OR CARPET TO AVOID THE PARTS FROM BEING SCRATCHED.

** BEFORE YOU BEGIN, KINDLY FOLLOW THE ASSEMBLY INSTRUCTIONS STEP BY STEP.

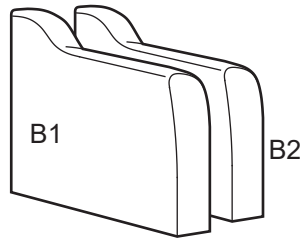
** DO NOT TIGHTEN ALL SCREWS UNTIL THE SOFA IS FULLY SET-UP.



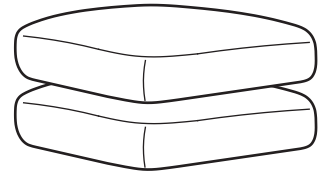
PARTS AND HARDWARE



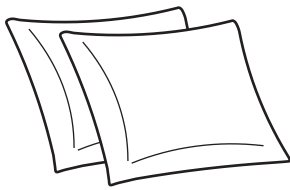
A : SOFA BODY 1 PC



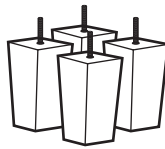
B1&B2 : ARMREST 2 PCS



C : SEAT CUSHION 2 PCS

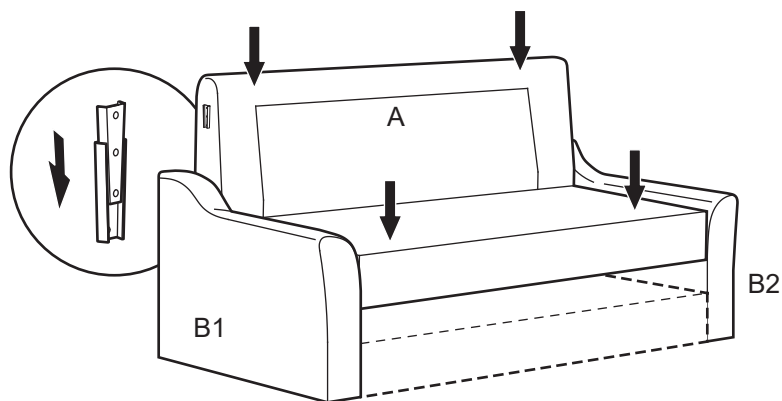


D : BACK CUSHION 2 PCS

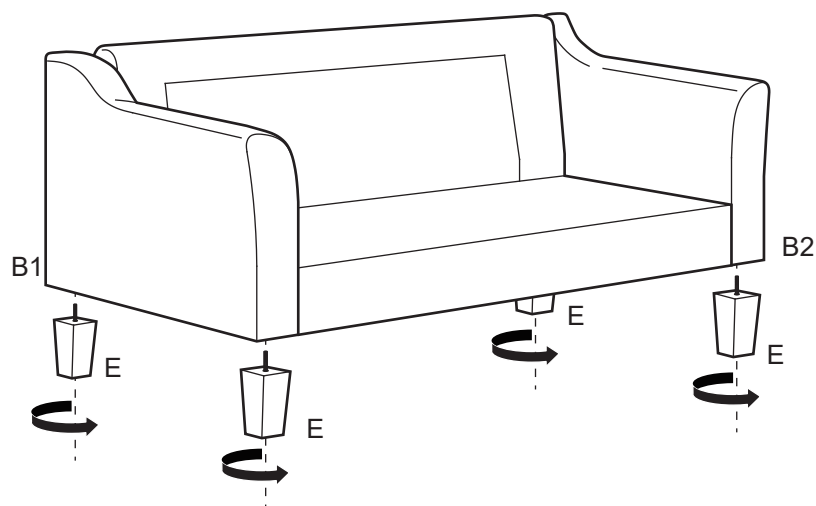


E : LEG 4 PCS

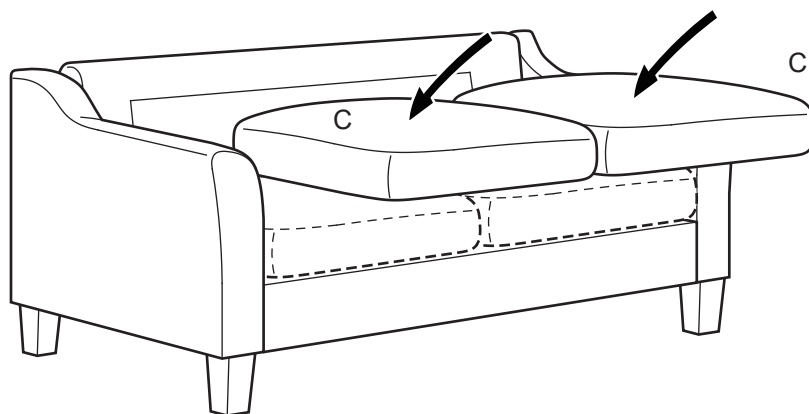
ASSEMBLY INSTRUCTIONS



STEP1 :
FIX THE ARMRESTS(B1 & B2) TO SOFA BODY(A).

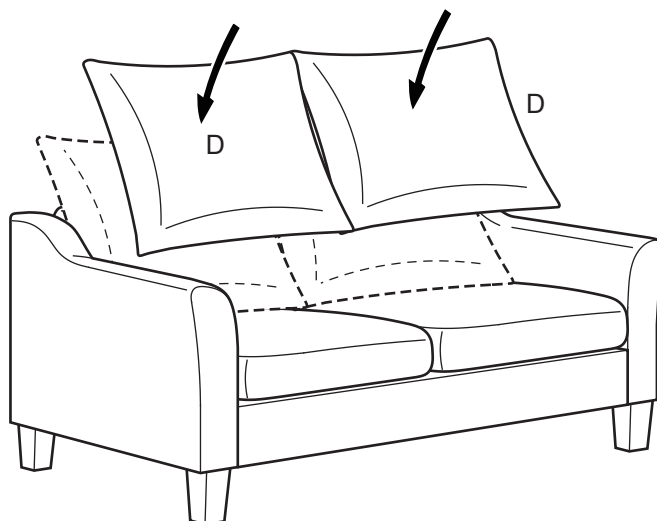


STEP2 :
FIX THE LEGS(E) TO ARMREST(B).

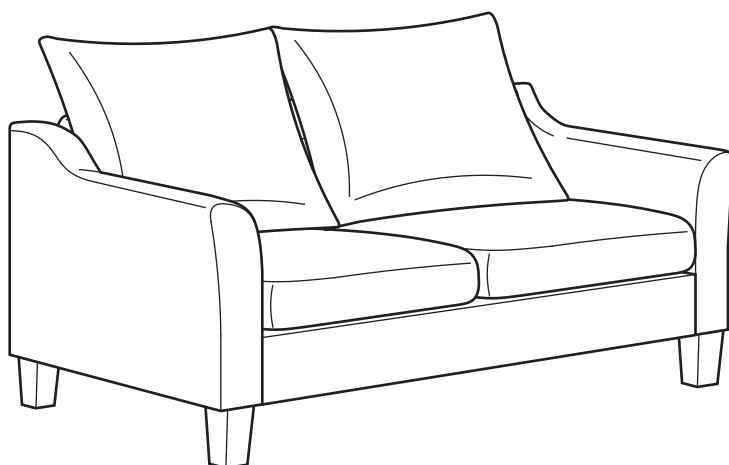


STEP3 :
PUT THE SEAT CUSHIONS(C) TO SOFA.

ASSEMBLY INSTRUCTIONS



STEP4 :
PUT THE BACK CUSHIONS(D) TO SOFA.



FINISH