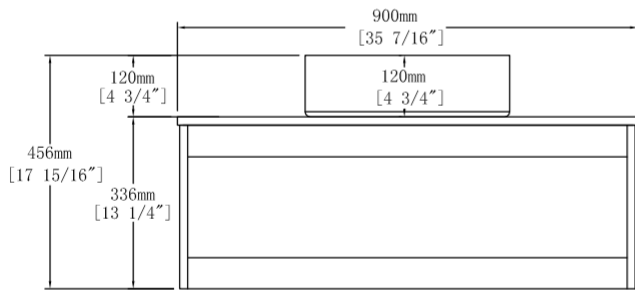
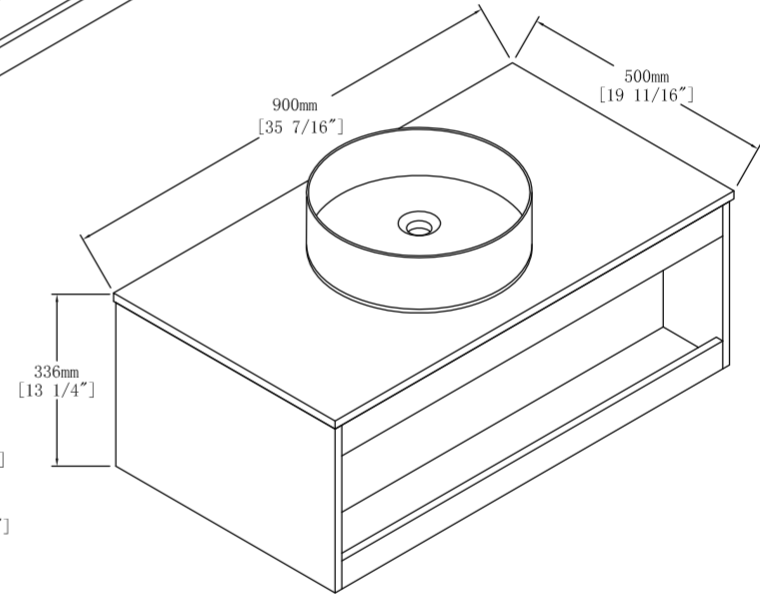
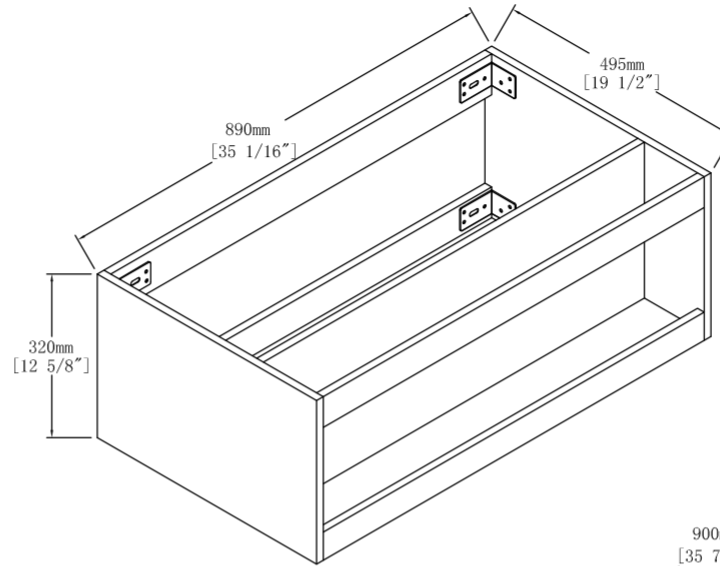
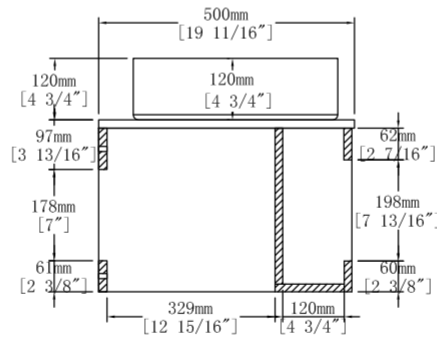


Top View



Front View



Side View

	Item NO.	UNOR V 002 36	Version	V1
	Project		Date	2025-11-11