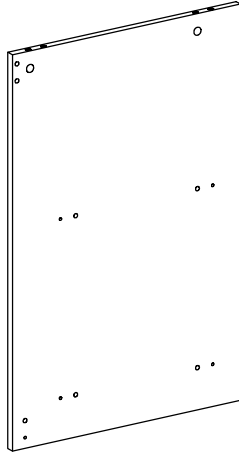
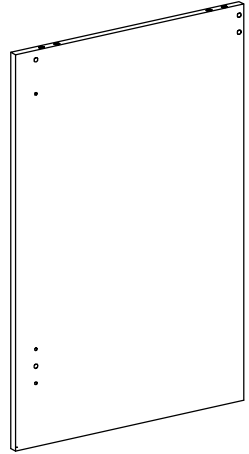


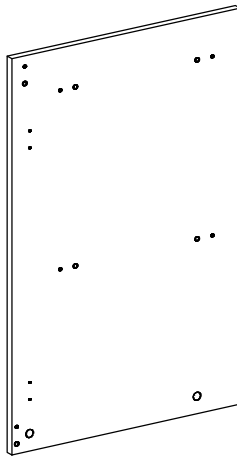
Ax1



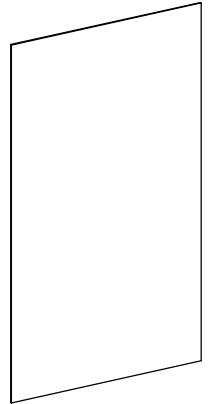
Bx1



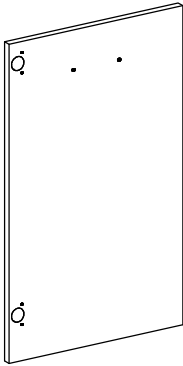
Cx1



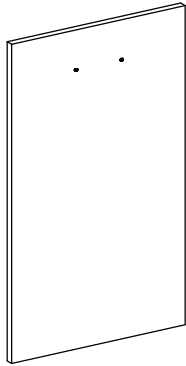
Dx1



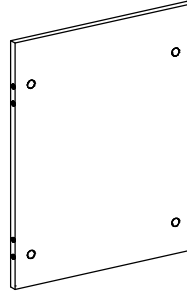
Ex1



Fx1



Gx2



Hx1



Ix1



585x100
23.0x3.9

Jx1



Kx1

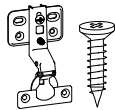


370x70
14.6x2.8

Lx1



Mx24



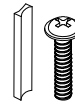
Nx2



Ox24



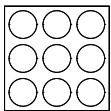
Px26



Qx1



Rx22



Ux3



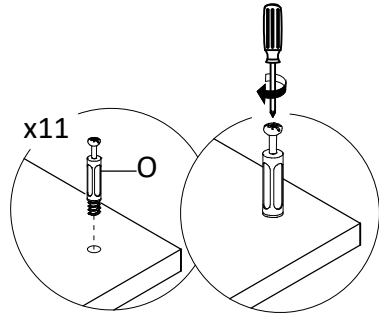
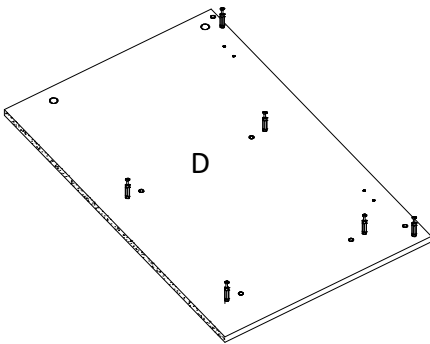
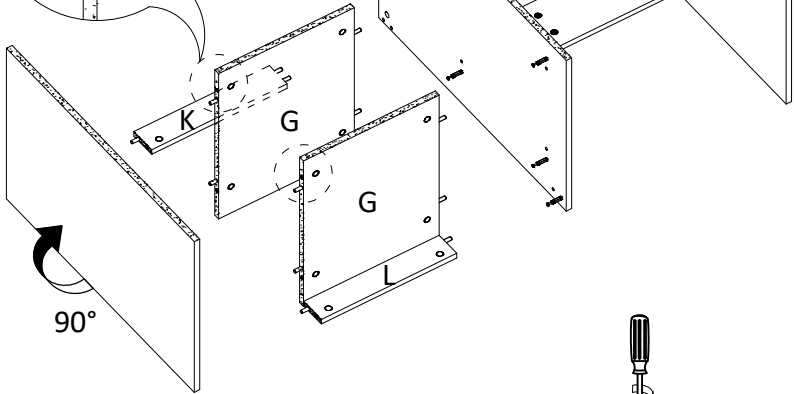
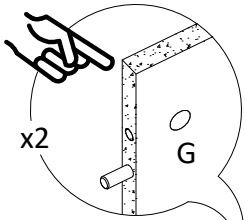
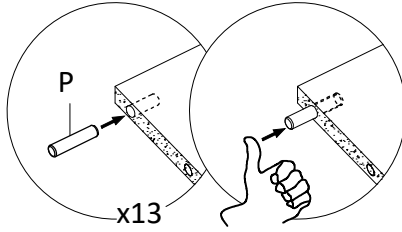
€ \$ £



mm
inch

x2

3

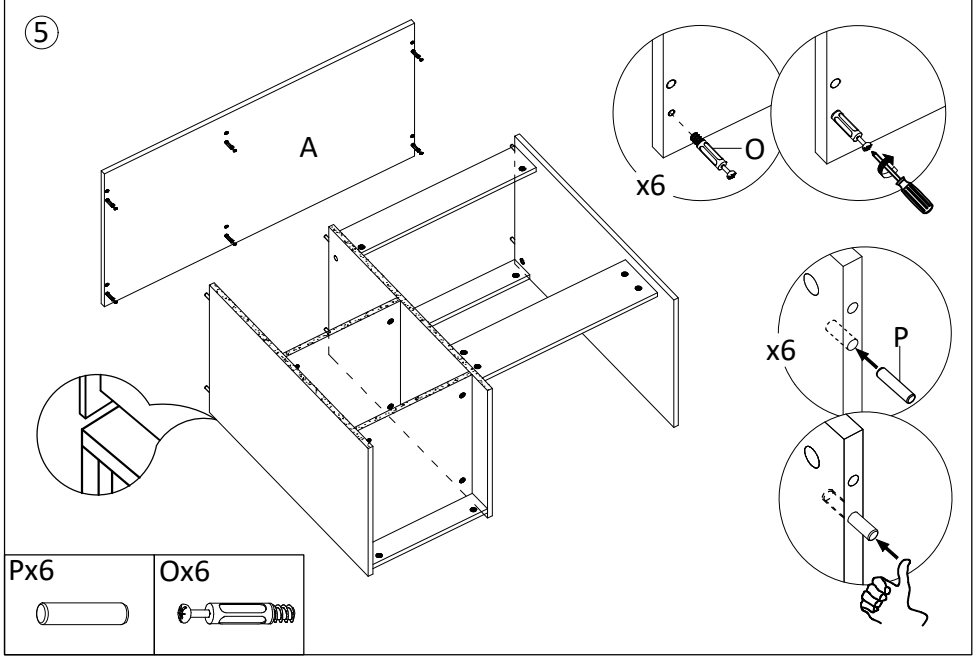
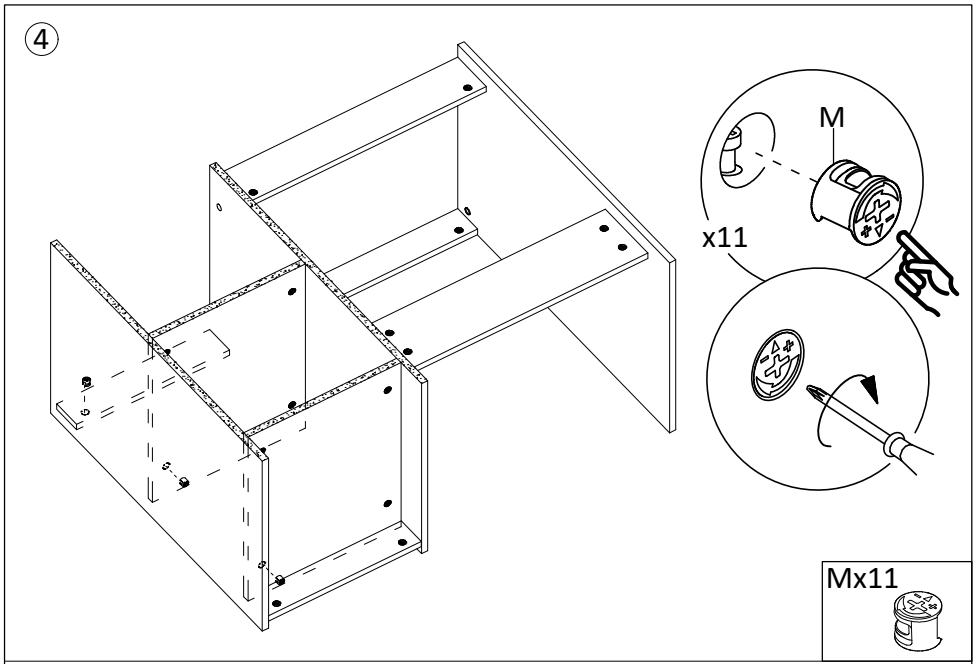


Px13

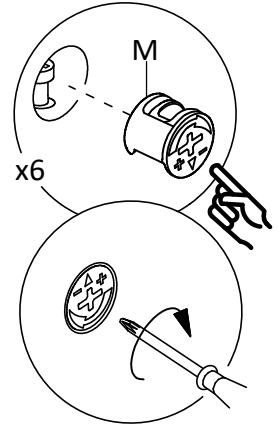
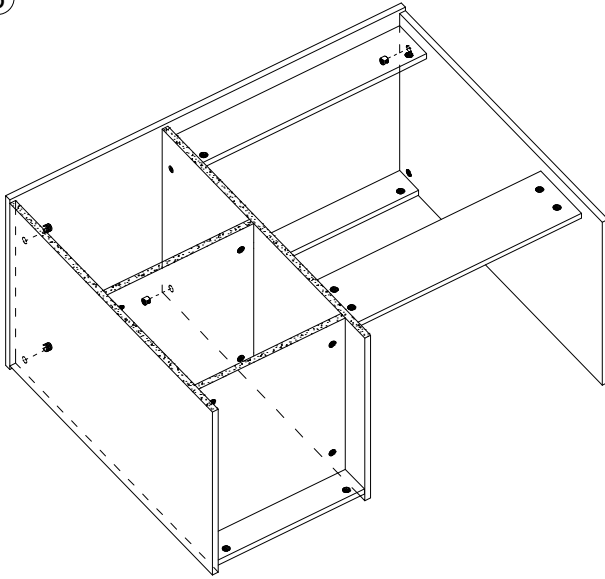


Ox11





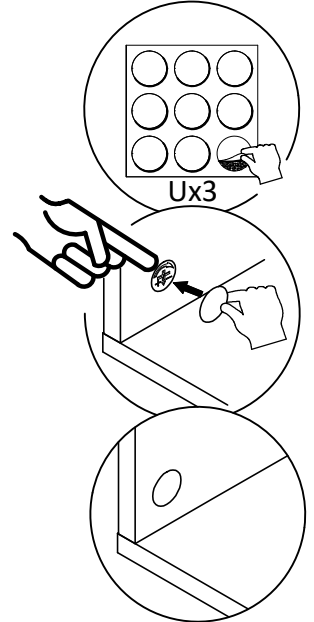
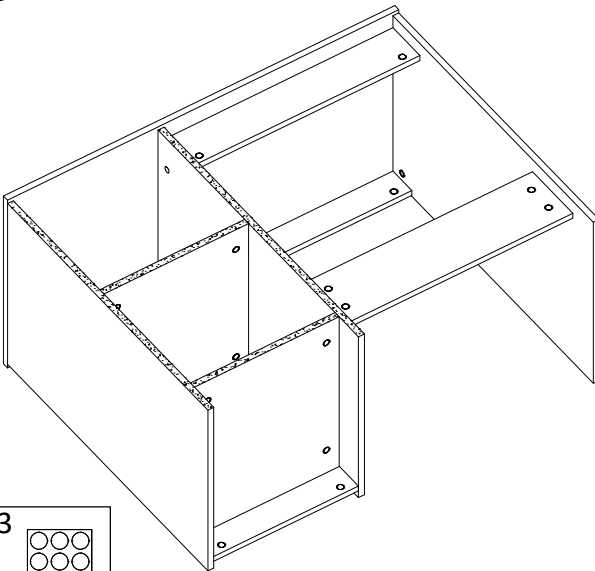
6



Mx6



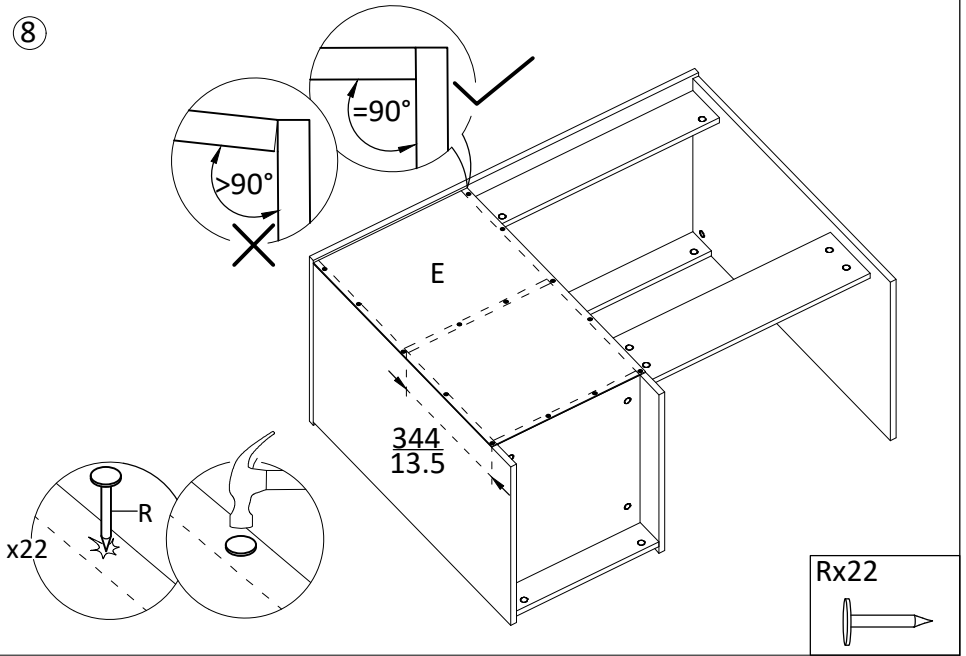
7



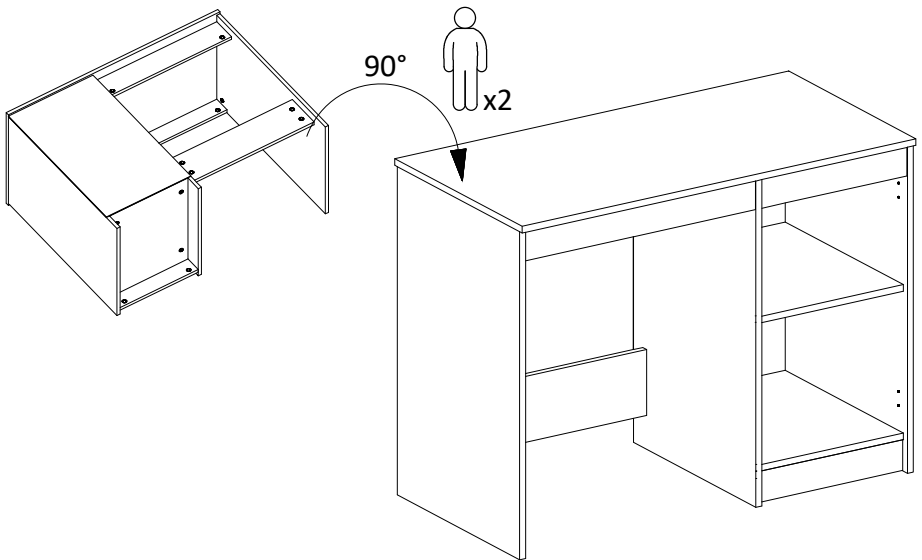
Ux3



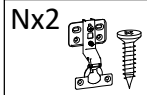
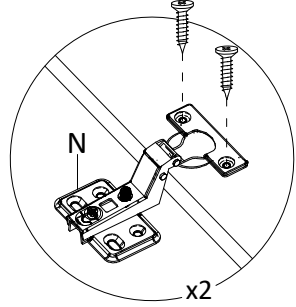
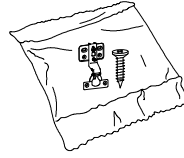
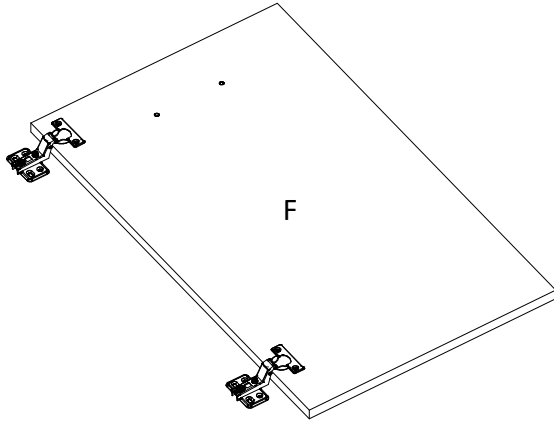
8



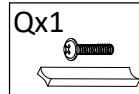
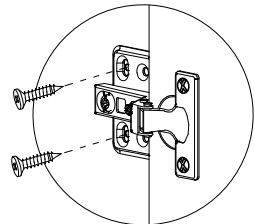
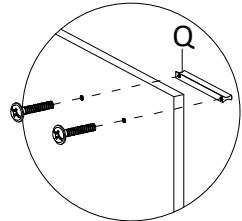
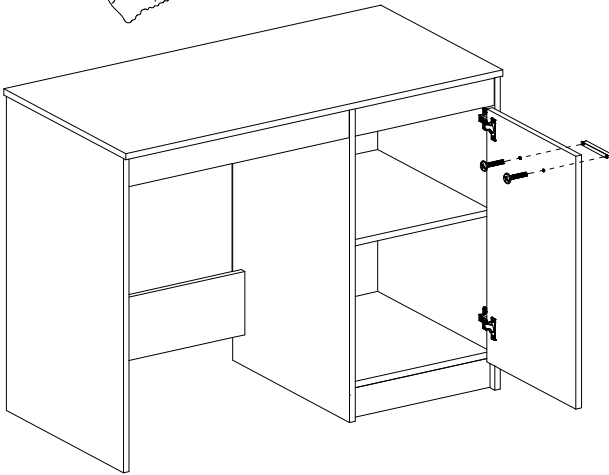
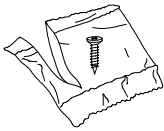
9

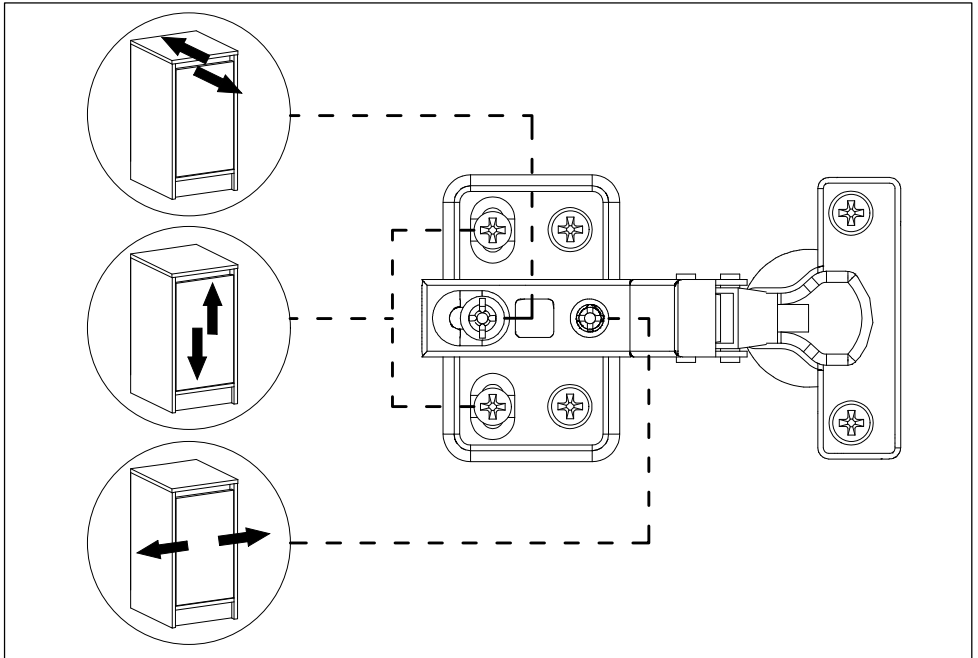


10

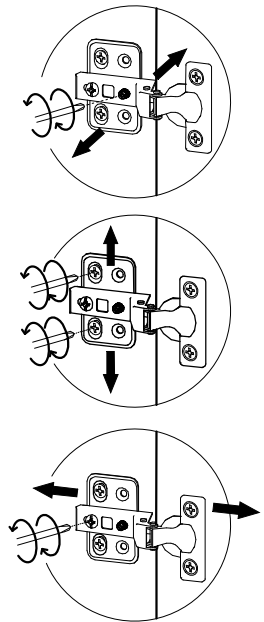
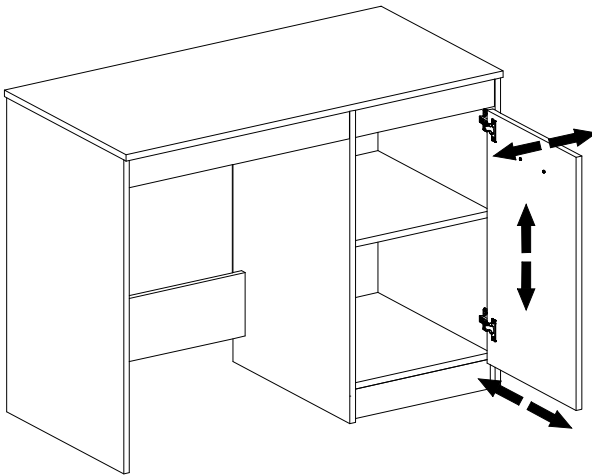


11

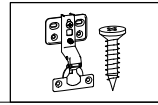
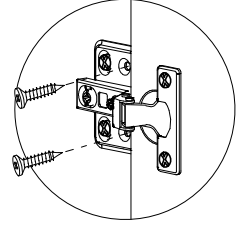
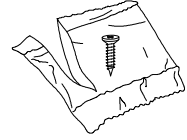
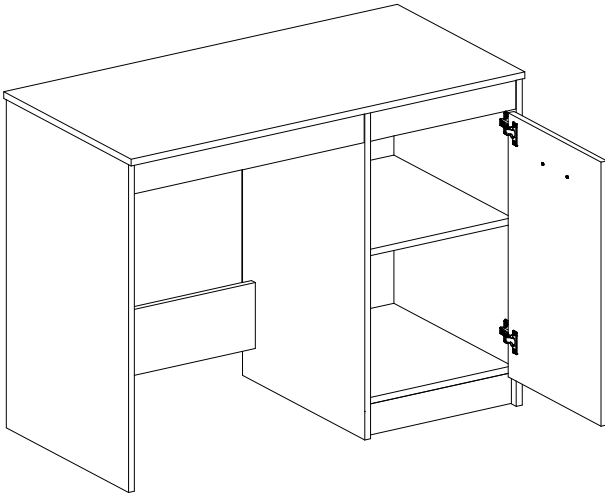




12



13



14

