

# Platform Bed

BF004-01-K

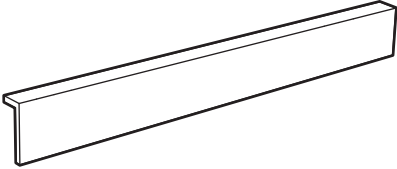
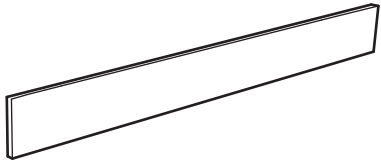

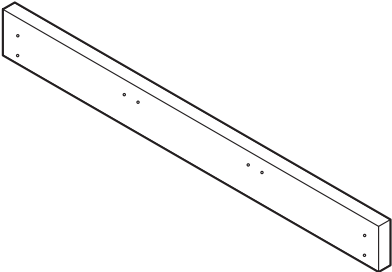
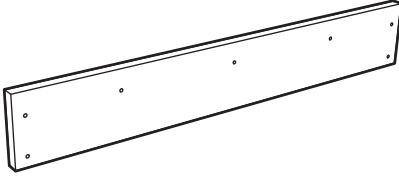
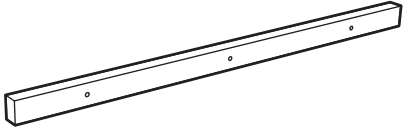

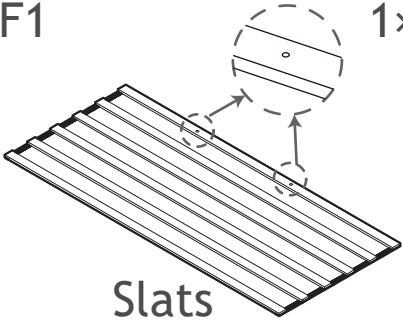
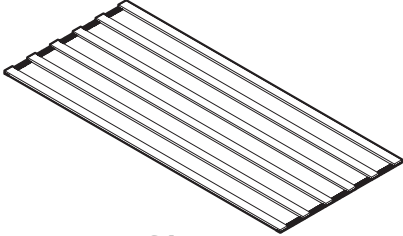
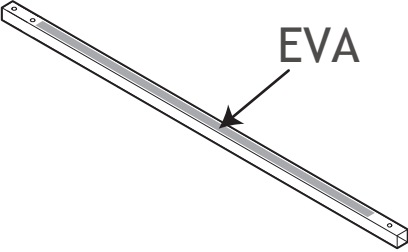
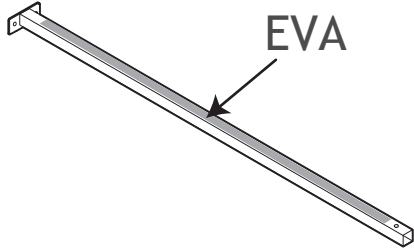
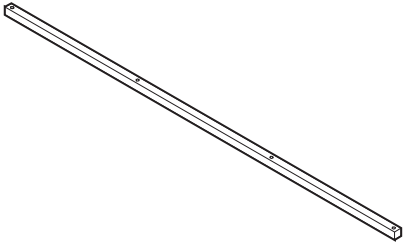
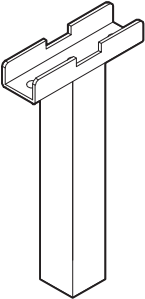
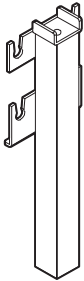
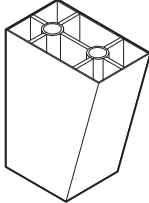
ORIGINAL INSTRUCTION MANUAL



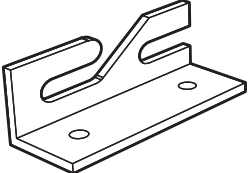
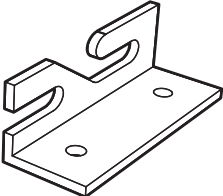
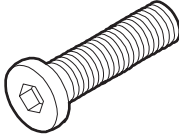
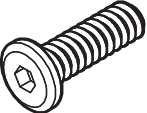



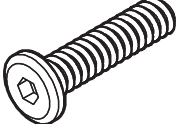
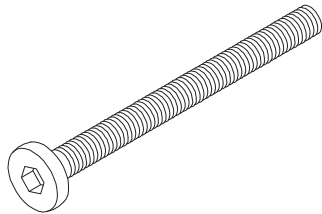
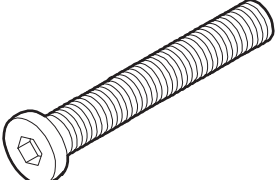
## DEAR CUSTOMER,

Thank you for choosing our product. Please read this manual carefully before assembling or using the product, to avoid damage caused by improper use. If the product is passed on to third parties, this manual has to be passed on along with the product. For any question don't hesitate to contact us.

# PARTS LIST

<p>A1 1×</p> 	<p>A2 2×</p> 	<p>A3 2×</p> 
<p>B 1×</p> 	<p>C 4×</p> 	<p>D 4×</p> 
<p>E 2×</p> 	<p>F1 1×</p>  <p>Slats</p>	<p>F2 1×</p>  <p>Slats</p>
<p>H1 2×</p>  <p>EVA</p>	<p>H2 2×</p>  <p>EVA</p>	<p>I 1×</p> 
<p>J 4×</p> 	<p>K 2×</p> 	<p>L 2×</p>  <p>Legs</p>

# PARTS LIST

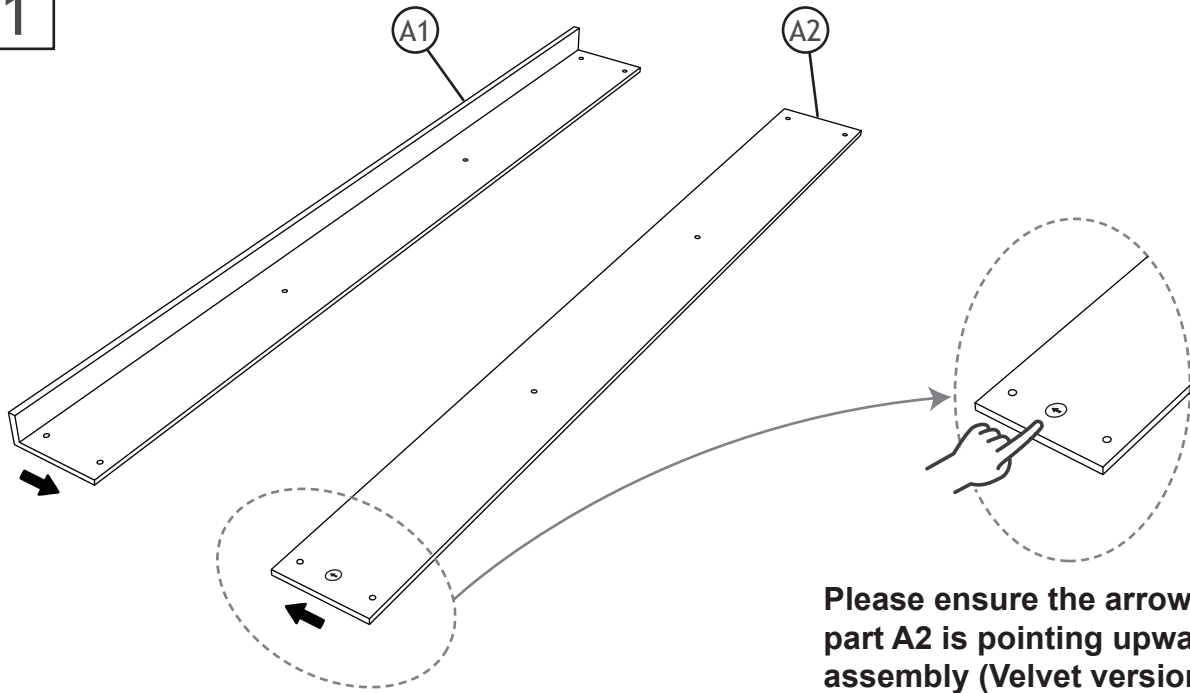
M1  2×	M2  2×	P1  M8x40 20×
P2  M8x18 34×	P3  M5 1×	P4  4×
P5  M4 1×	P7  M8x35 6×	P8  M6x65 4×
P9  M8x50 4×		

# ASSEMBLY

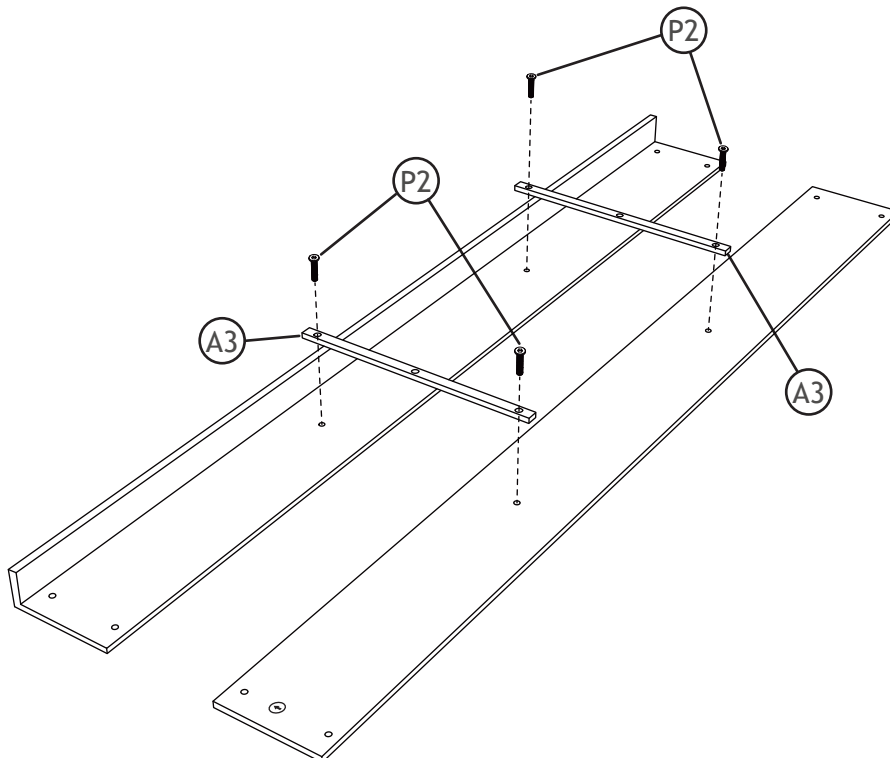
Before your installation, please make sure that you have all the parts listed on the manual. If you find something missing, stop installing and contact your supplier immediately.

**NOTE:** Please **DO NOT** tighten any hardware until all the components are assembled. Be sure to tighten all the hardware once the assembly completed.

1

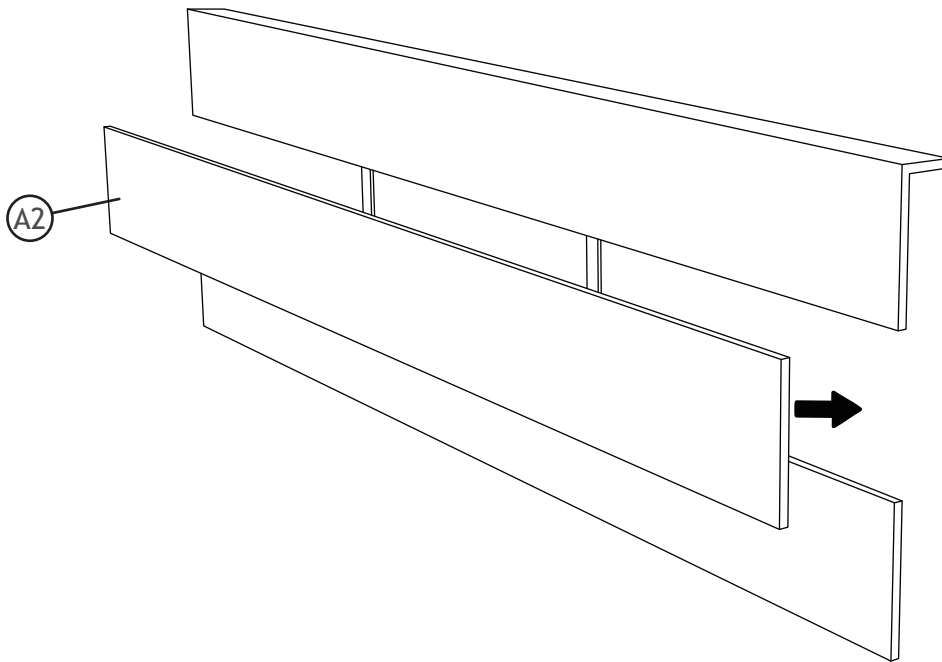


2

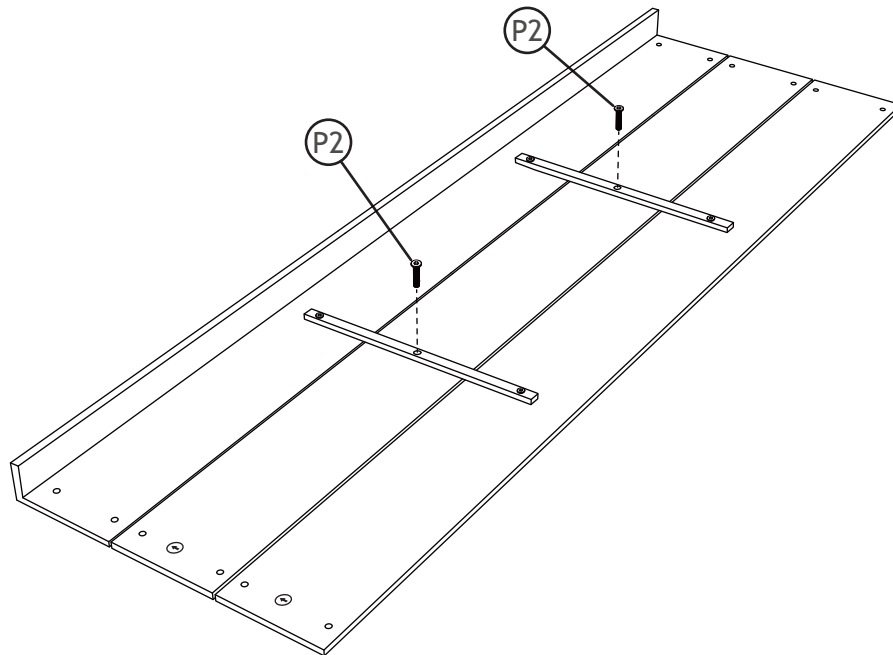


3

**Note:** Insert the headboard Part D between the other two headboard panels.

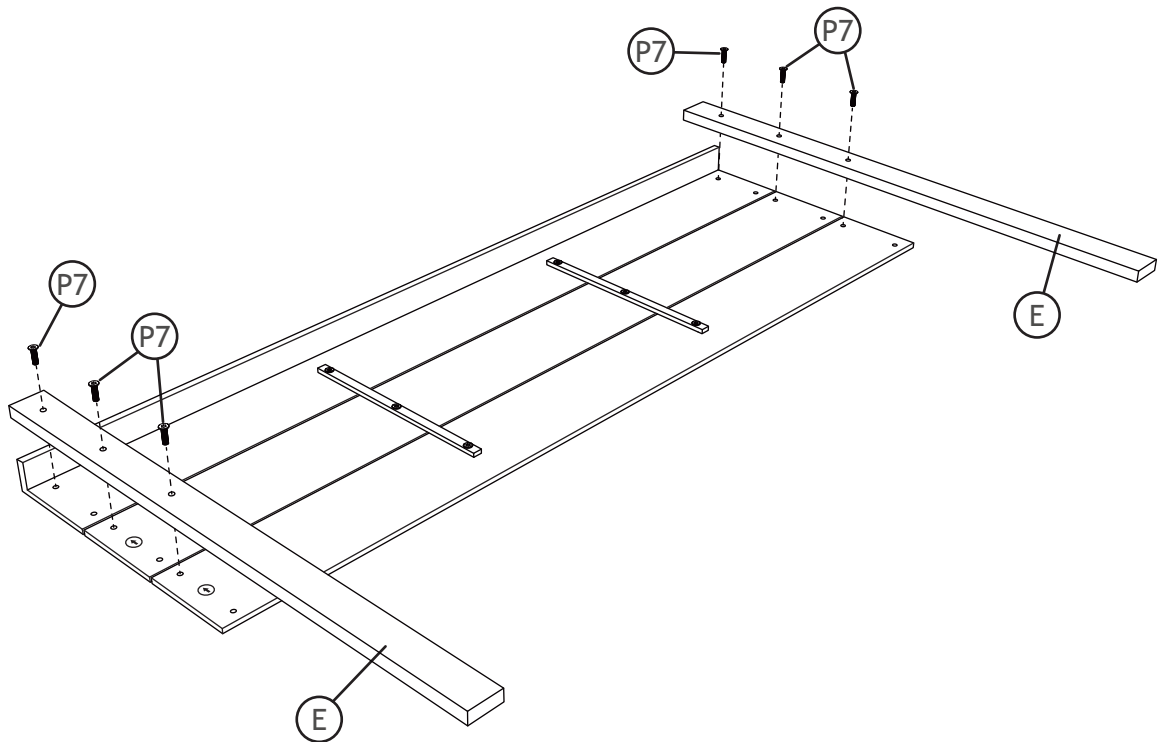


4

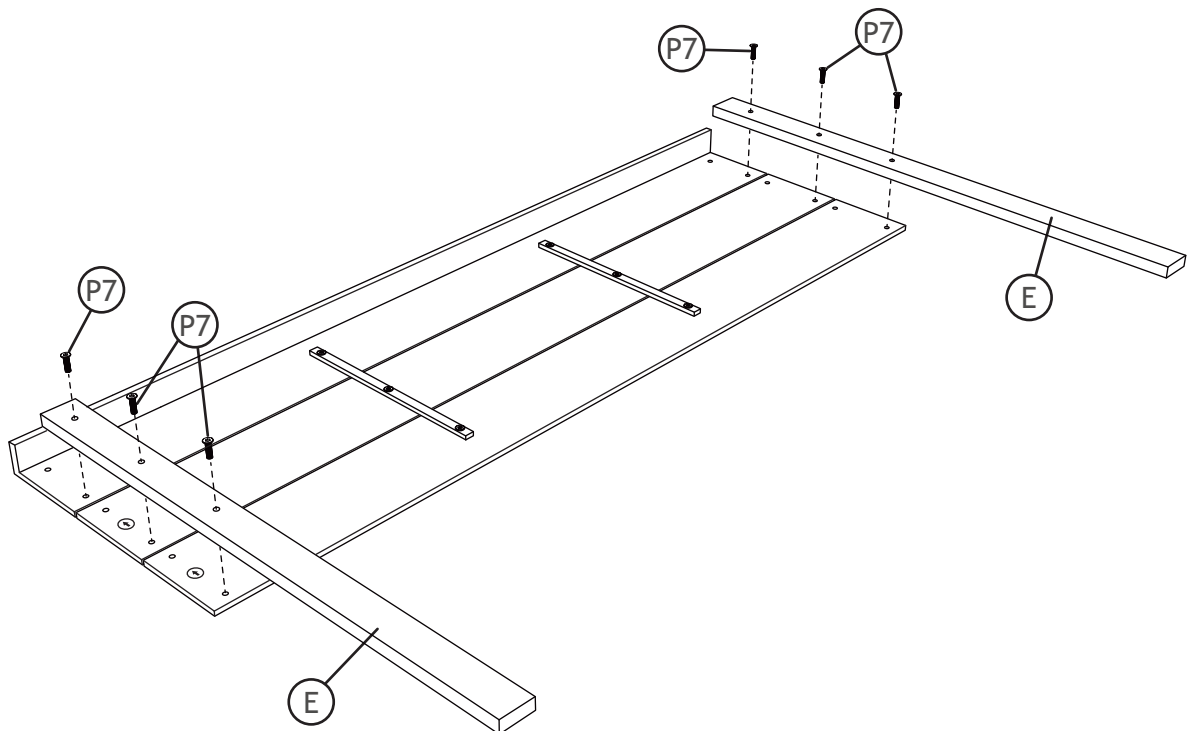


5

**Note:** The headboard can be adjusted up and down by fixing the position of screws on the back. Use the upper holes for the low headboard position, or the lower holes for the high headboard position.

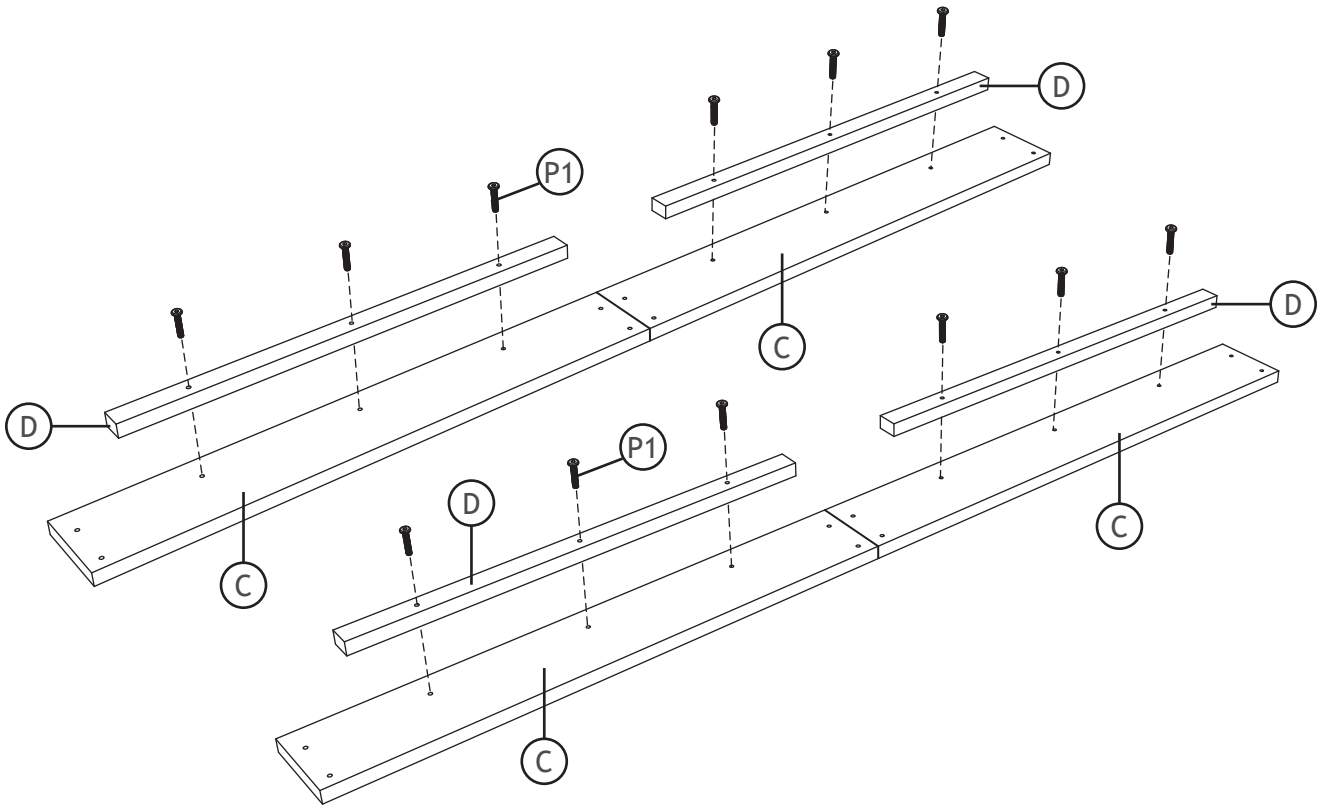


**OR**

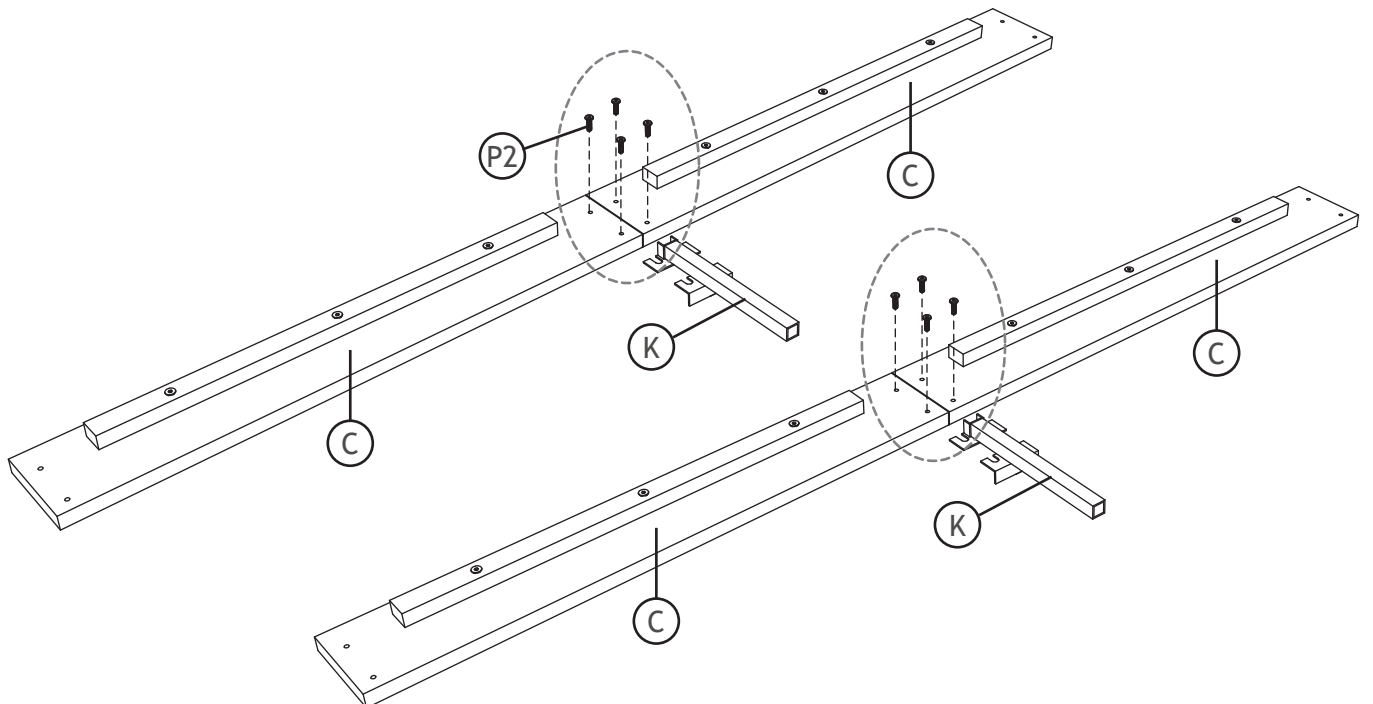
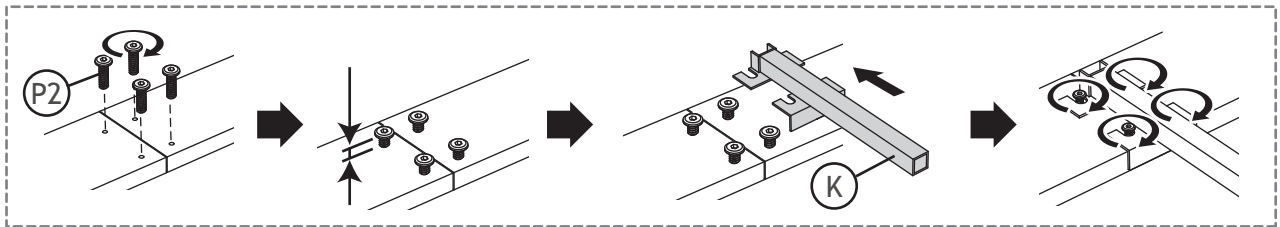


6

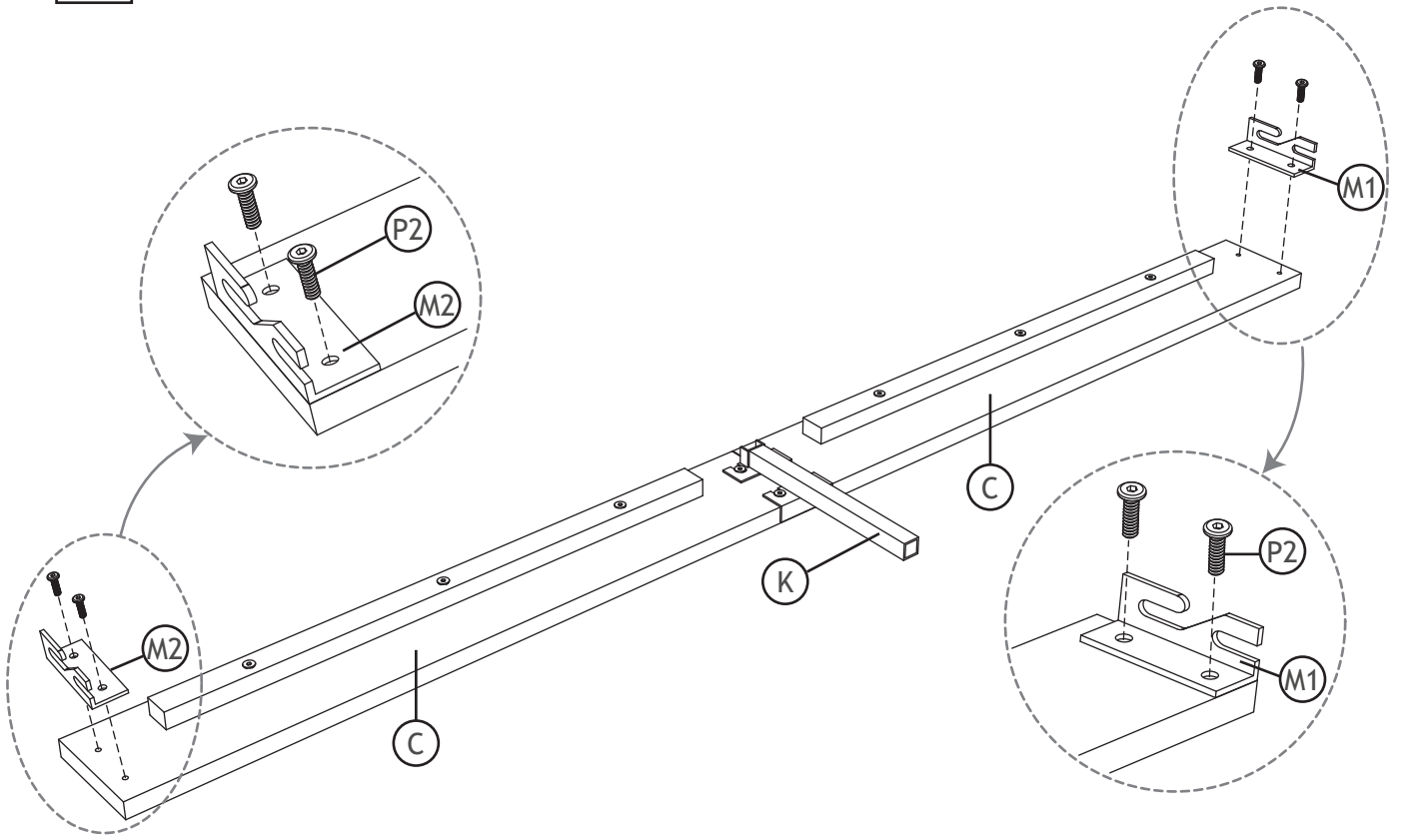
**Note:** Make sure the side with Velcro is facing up when positioning the part D



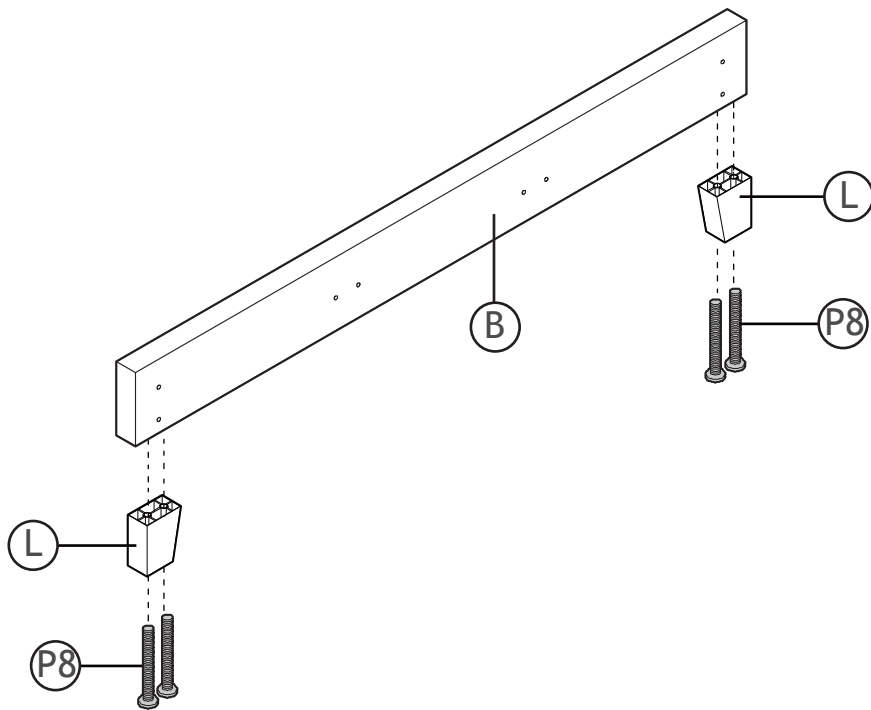
7



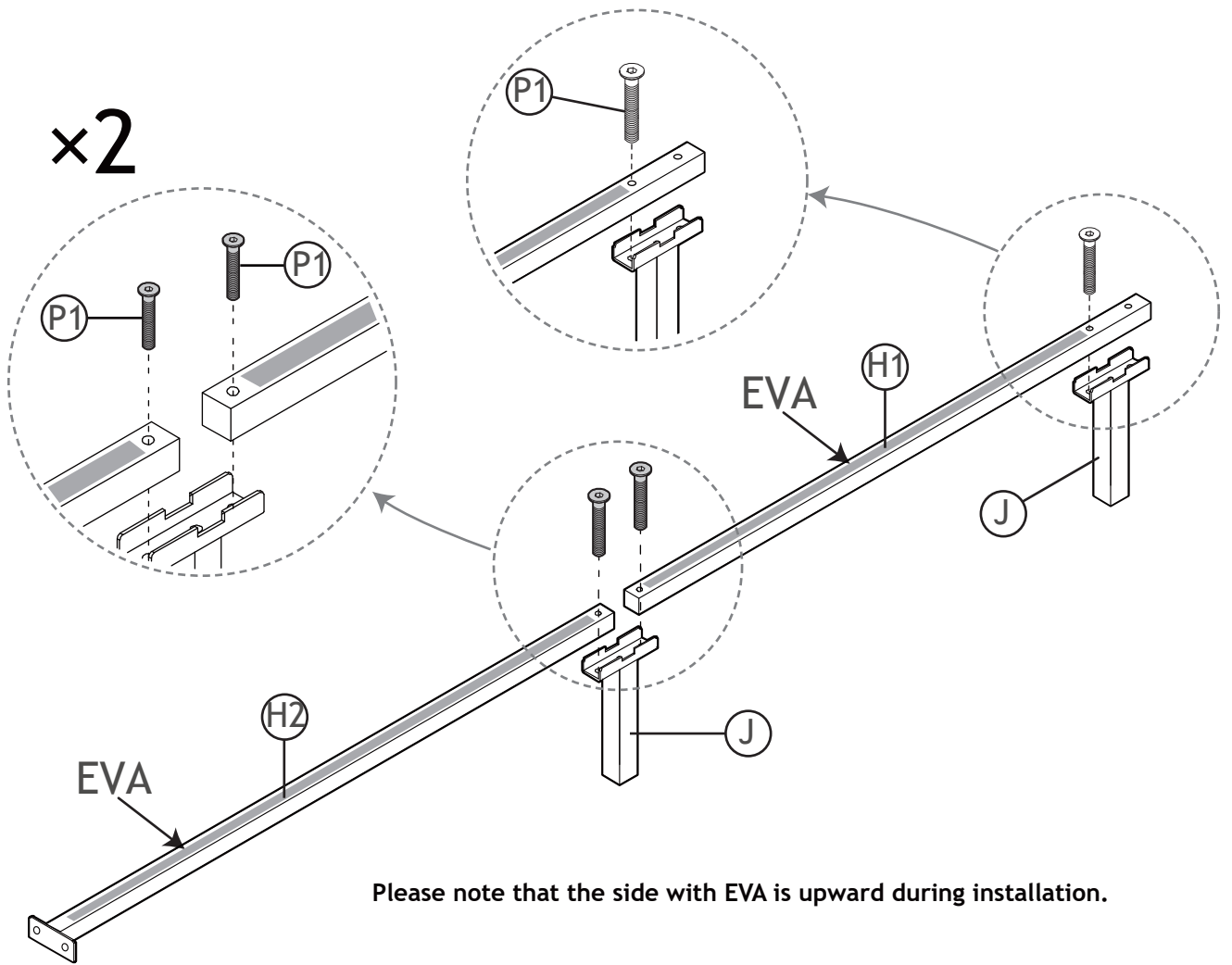
8 × 2



9

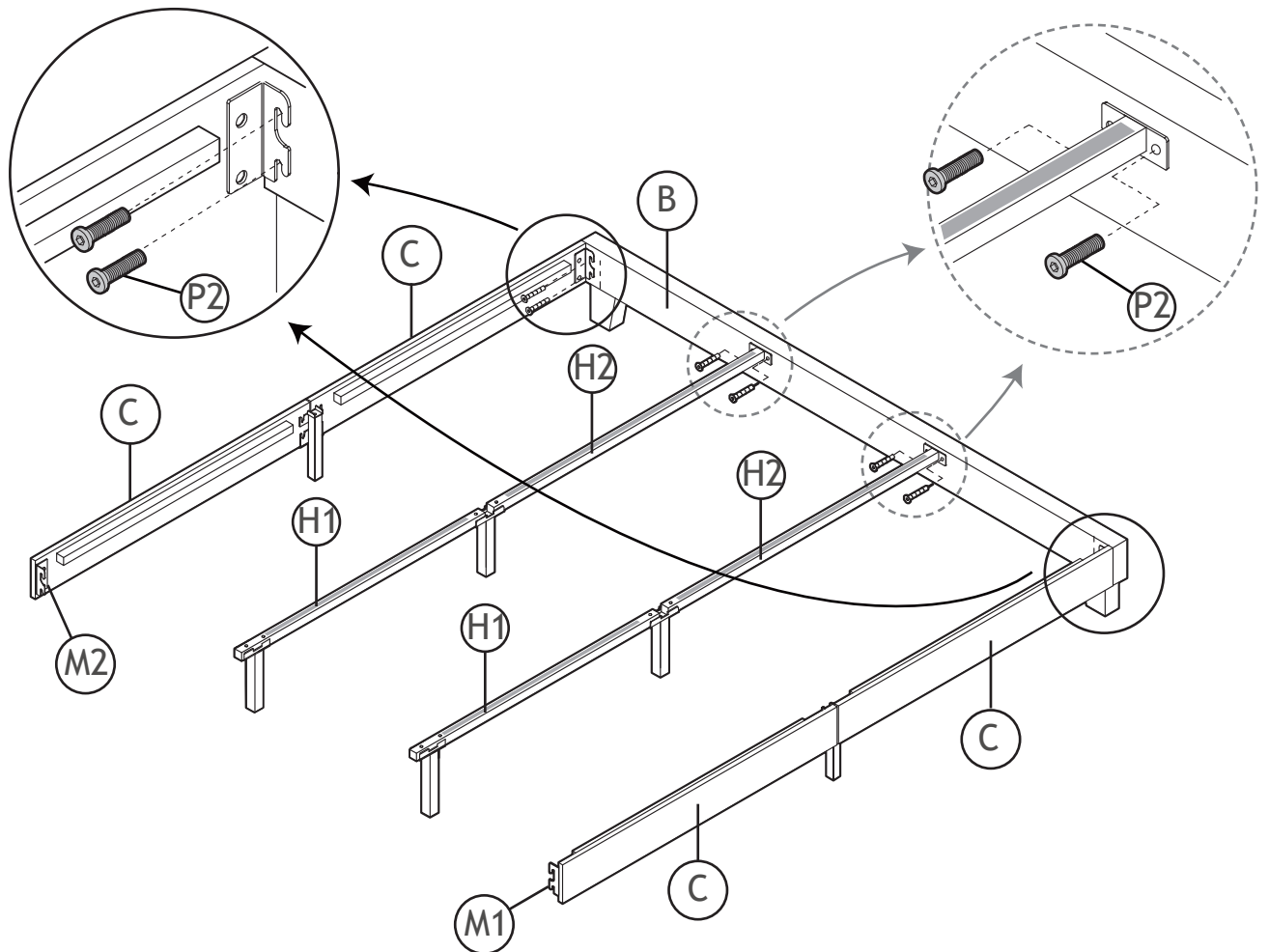


10 ×2

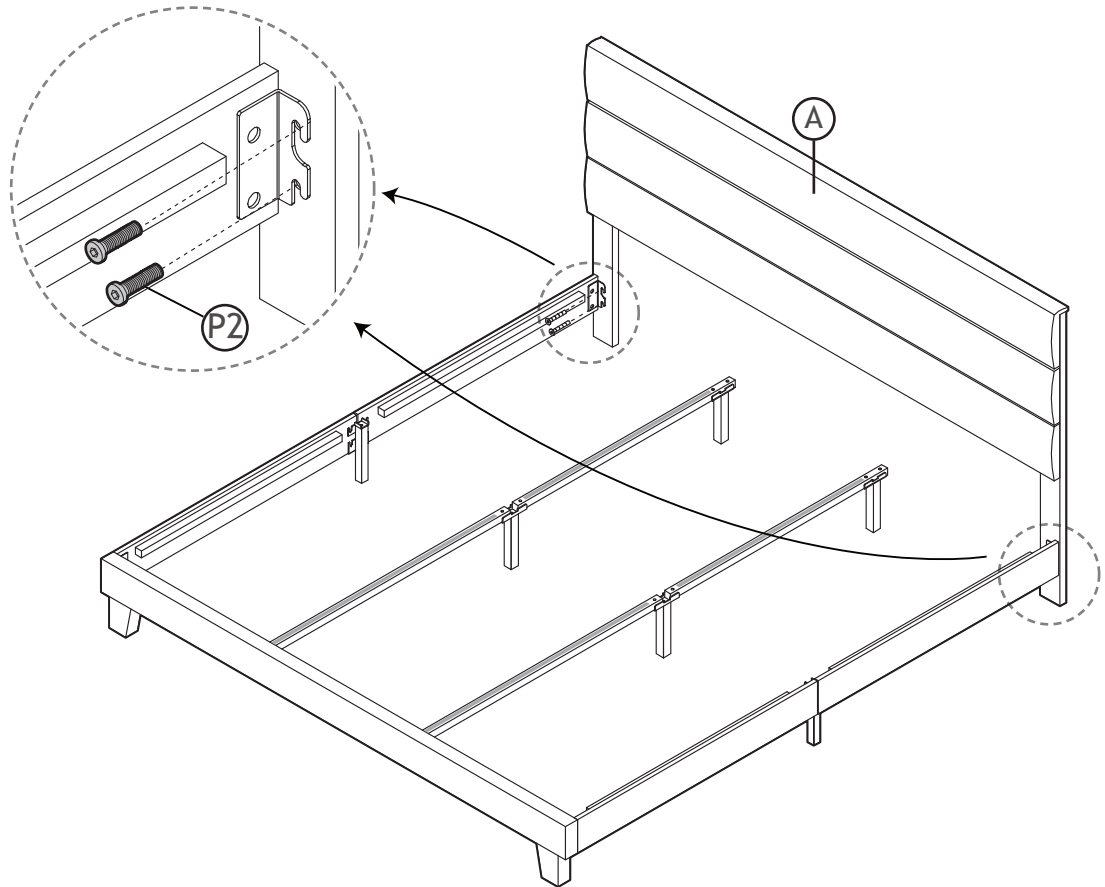


Please note that the side with EVA is upward during installation.

11



12



13

