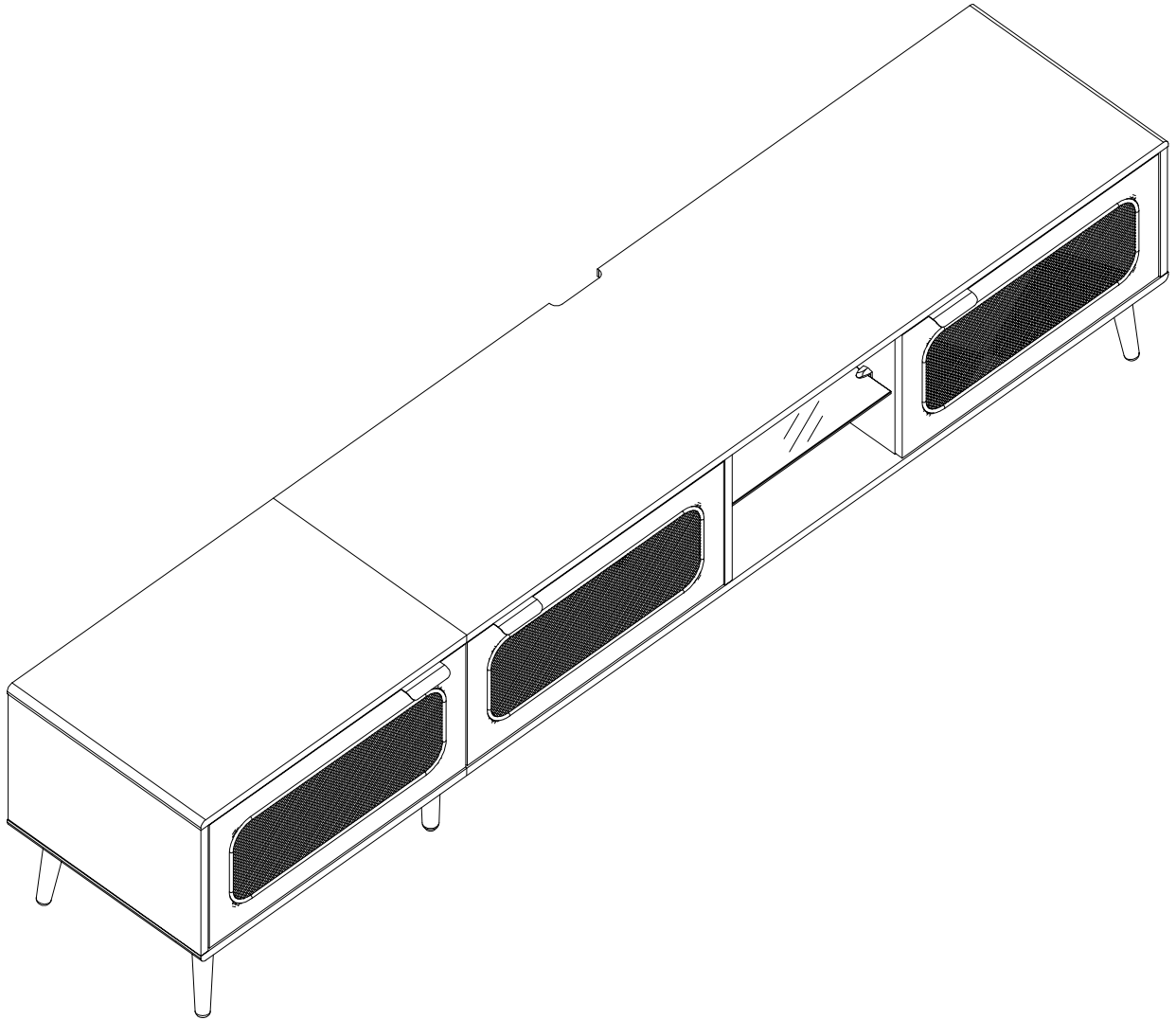


TV STAND

Assembly Instructions - Please keep for future reference.



DIMENSIONS

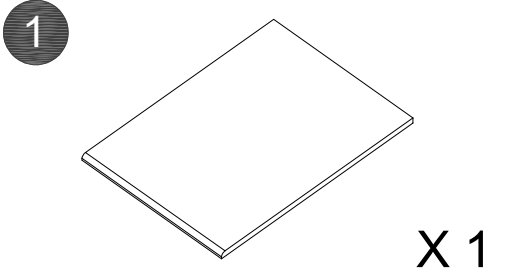
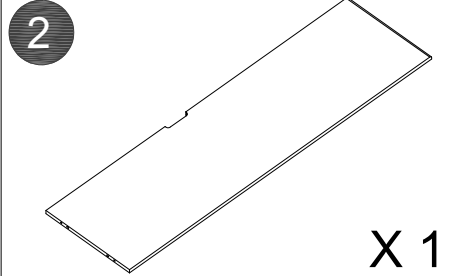
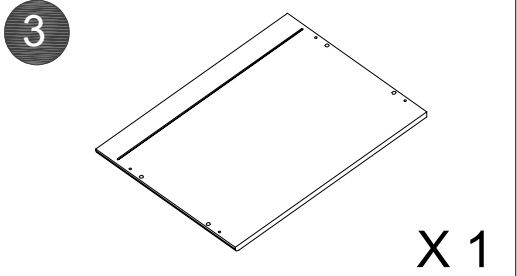
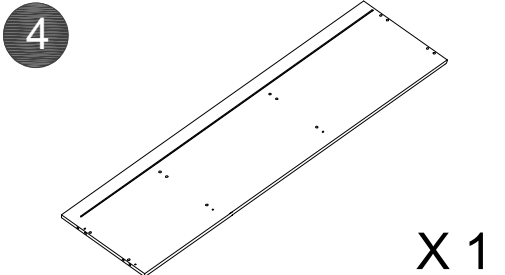
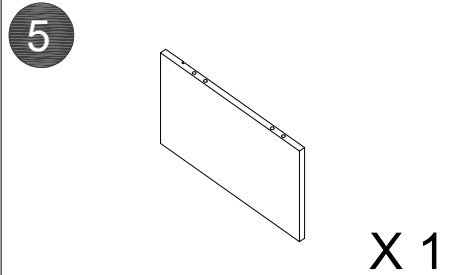
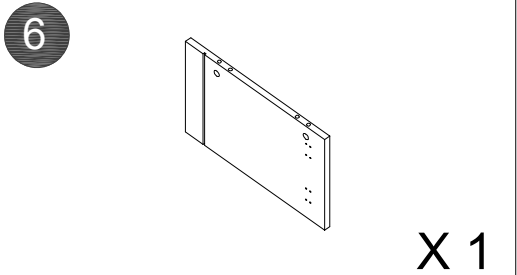
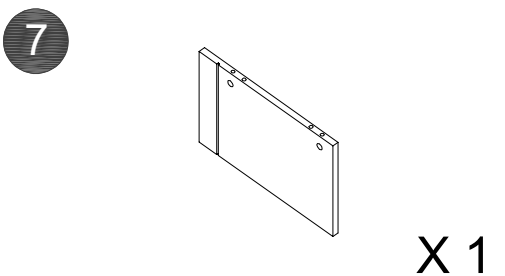
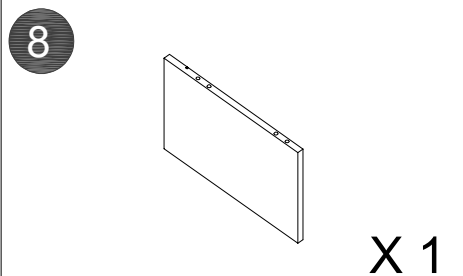
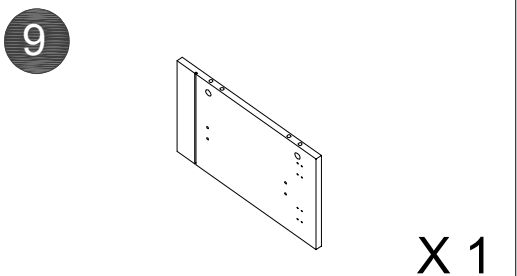
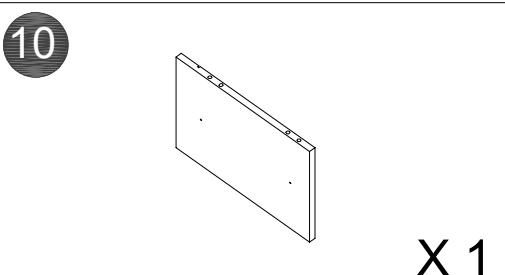
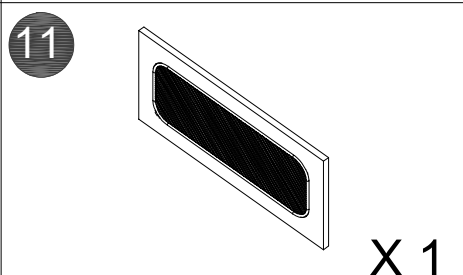
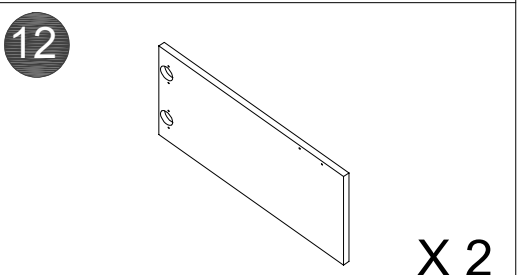
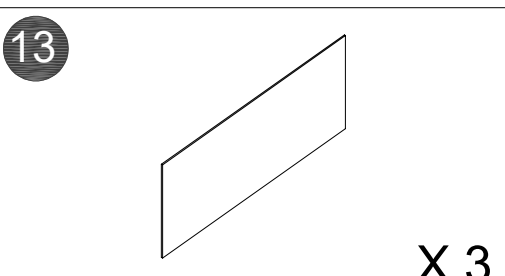
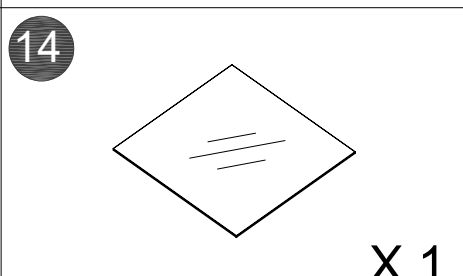
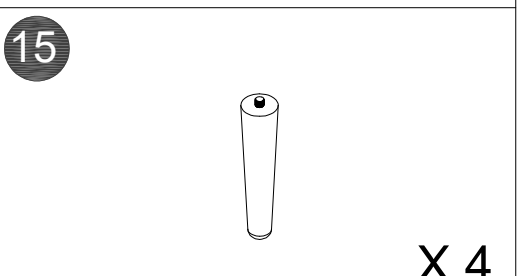
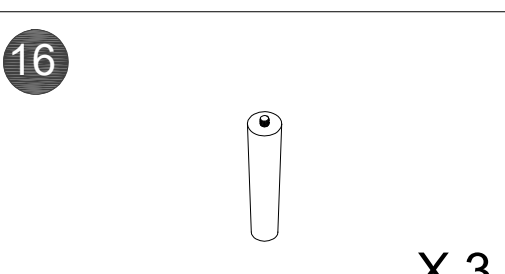
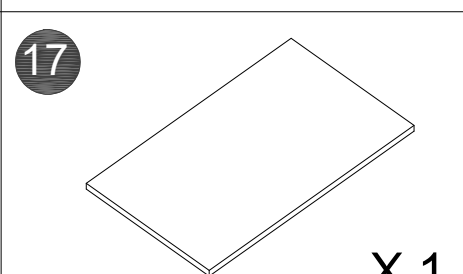
width-78.74inch
Depth-15.75inch
Height-17.72inch

Important - Please read these instructions fully before starting assembly.

components - fittings

Please check you have all the panels listed below.


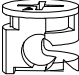

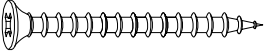
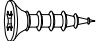
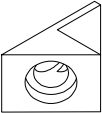


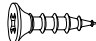
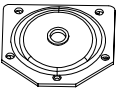

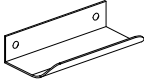
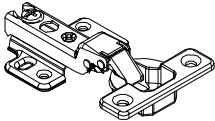



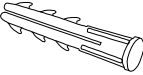

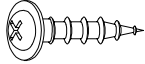
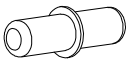
Note: The quantities below are the correct amount to complete the assembly. In some cases more fittings may be supplied than are required.

 <p>1</p> <p>X 1</p>	 <p>2</p> <p>X 1</p>	 <p>3</p> <p>X 1</p>
 <p>4</p> <p>X 1</p>	 <p>5</p> <p>X 1</p>	 <p>6</p> <p>X 1</p>
 <p>7</p> <p>X 1</p>	 <p>8</p> <p>X 1</p>	 <p>9</p> <p>X 1</p>
 <p>10</p> <p>X 1</p>	 <p>11</p> <p>X 1</p>	 <p>12</p> <p>X 2</p>
 <p>13</p> <p>X 3</p>	 <p>14</p> <p>X 1</p>	 <p>15</p> <p>X 4</p>
 <p>16</p> <p>X 3</p>	 <p>17</p> <p>X 1</p>	

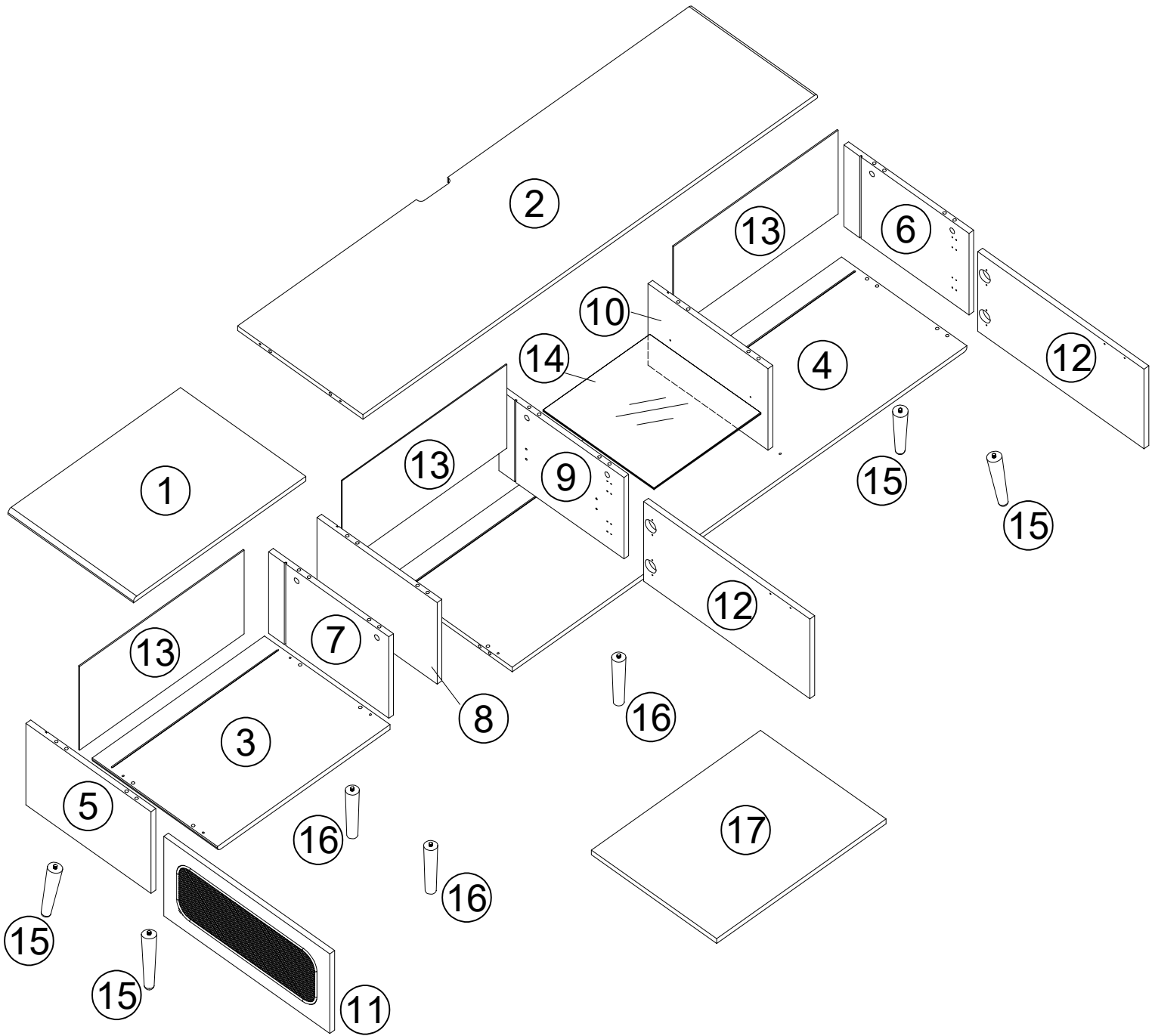
components - fittings

Please check you have all the panels listed below.

Note: The quantities below are the correct amount to complete the assembly. In some cases more fittings may be supplied than are required.

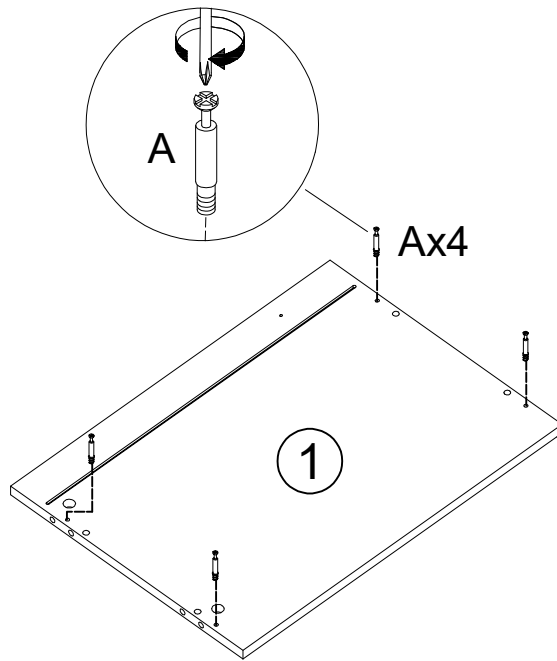
<p>A X 16</p>  <p>M6x35mm</p>	<p>B X 16</p>  <p>Φ15mm</p>	<p>C X 28</p>  <p>Φ8x30mm</p>	<p>D X 14</p>  <p>M4x35mm</p>
<p>E X 32</p>  <p>M3.5x14mm</p>	<p>F X 12</p> 	<p>G X 3</p> 	<p>H X 4</p> 
<p>I X 58</p>  <p>M3.5x14mm</p>	<p>J X 4</p> 	<p>K X 3</p> 	<p>L X 3</p> 
<p>M X 6</p> 	<p>N X4</p>  <p>EVA</p>	<p>O X 12</p>  <p>Ø20mm</p>	<p>P X 2</p> 
<p>Q X 2</p> 	<p>R X 1</p> 	<p>S X 2</p>  <p>M4x14mm</p>	<p>T X 4</p> 

Assembly Instructions



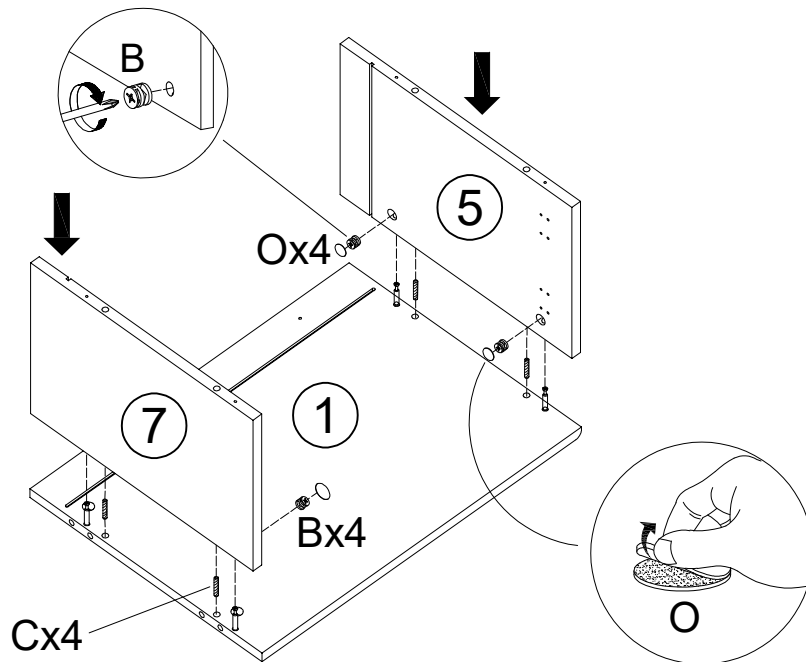
Assembly Instructions

STEP 1



A	x4
M6x35mm	

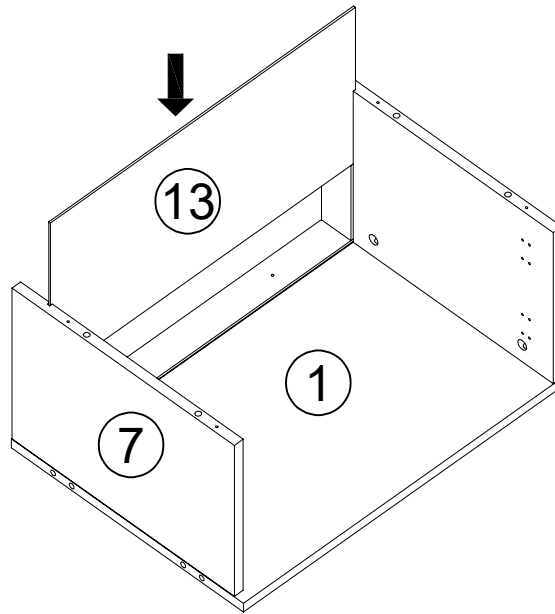
STEP 2



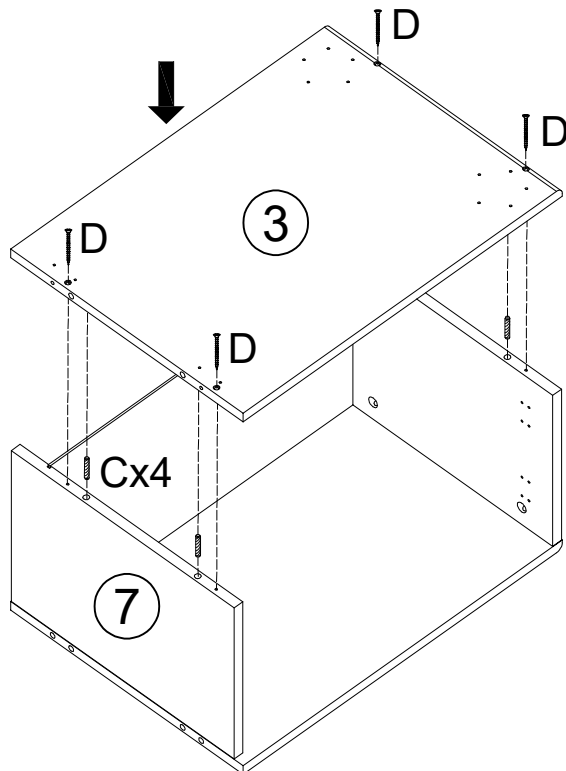
B	x4	C	x4	O	x4
Ø15mm		Φ8x30mm			


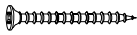
Assembly Instructions

STEP 3



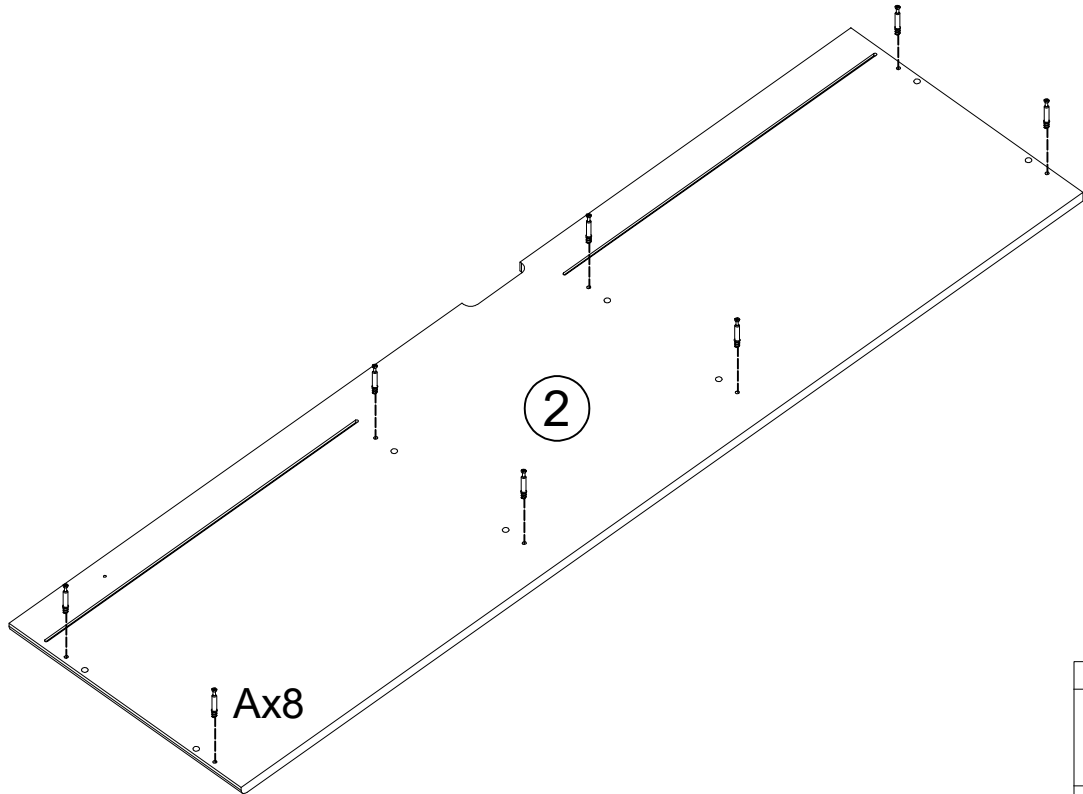
STEP 4

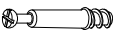


C	x4	D	x4
			
Φ8x30mm		M4x35mm	

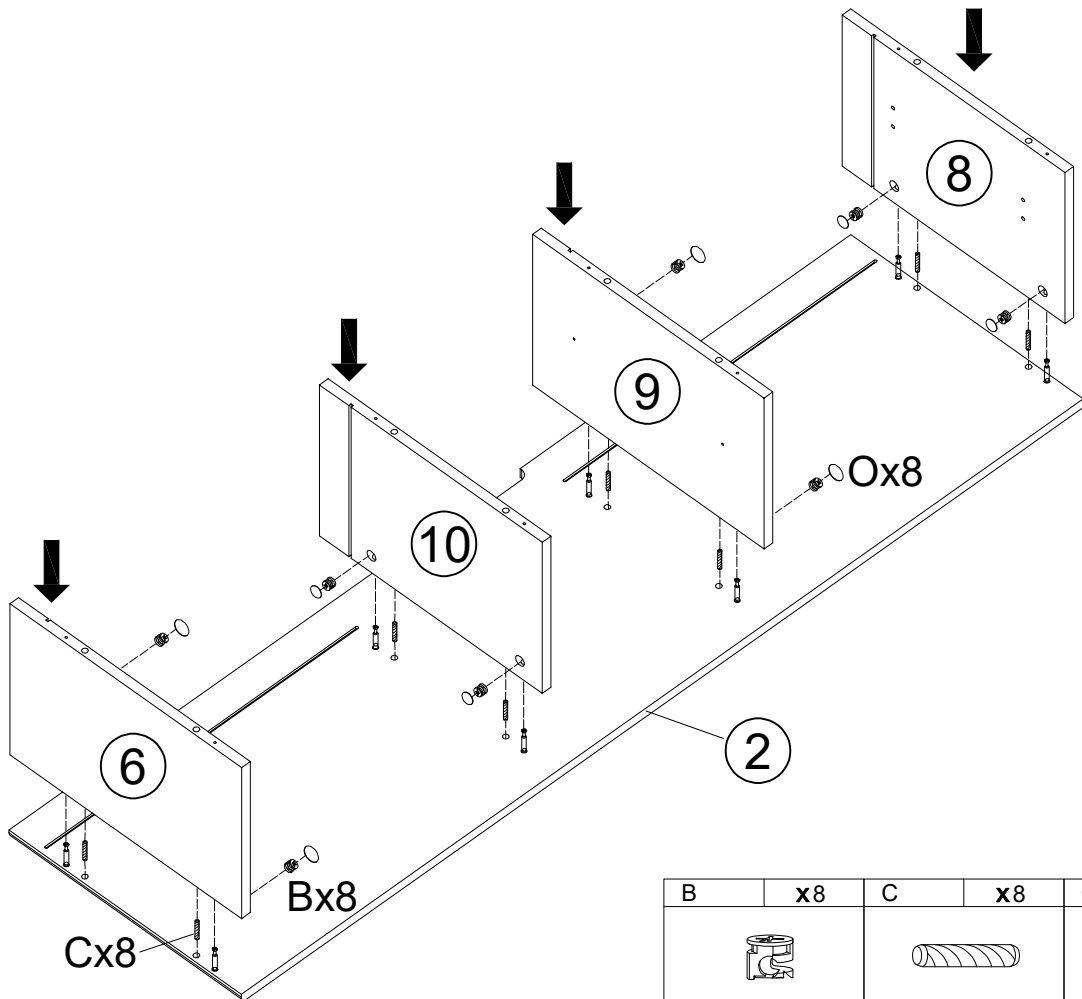
Assembly Instructions




STEP 5



A	x8
	
M6x35mm	

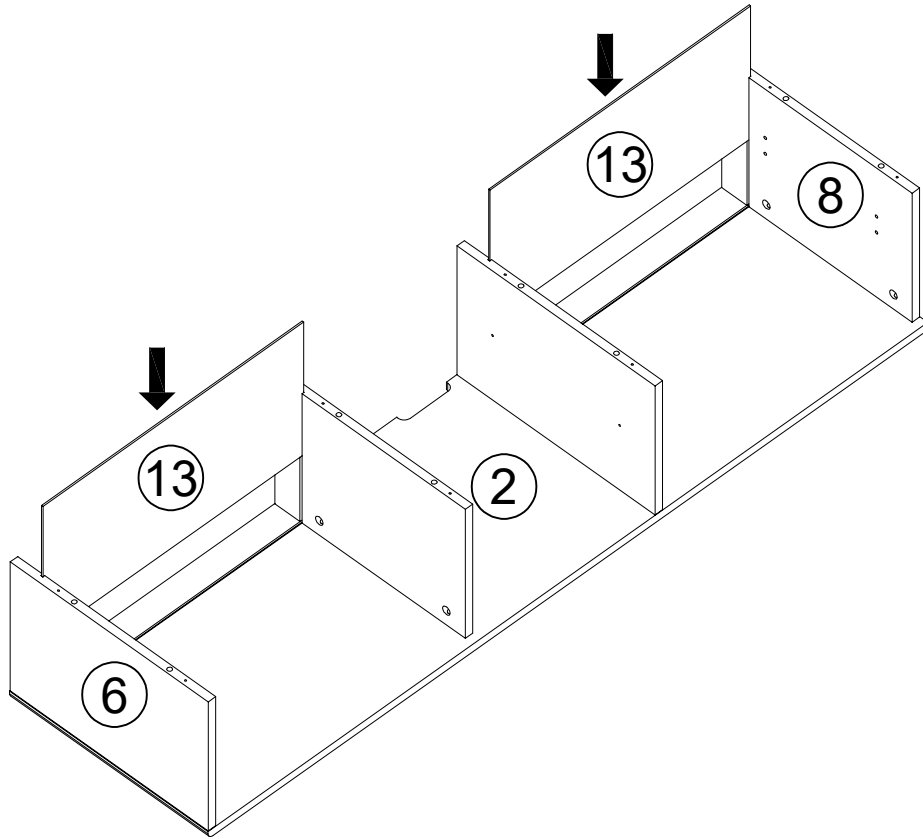
STEP 6



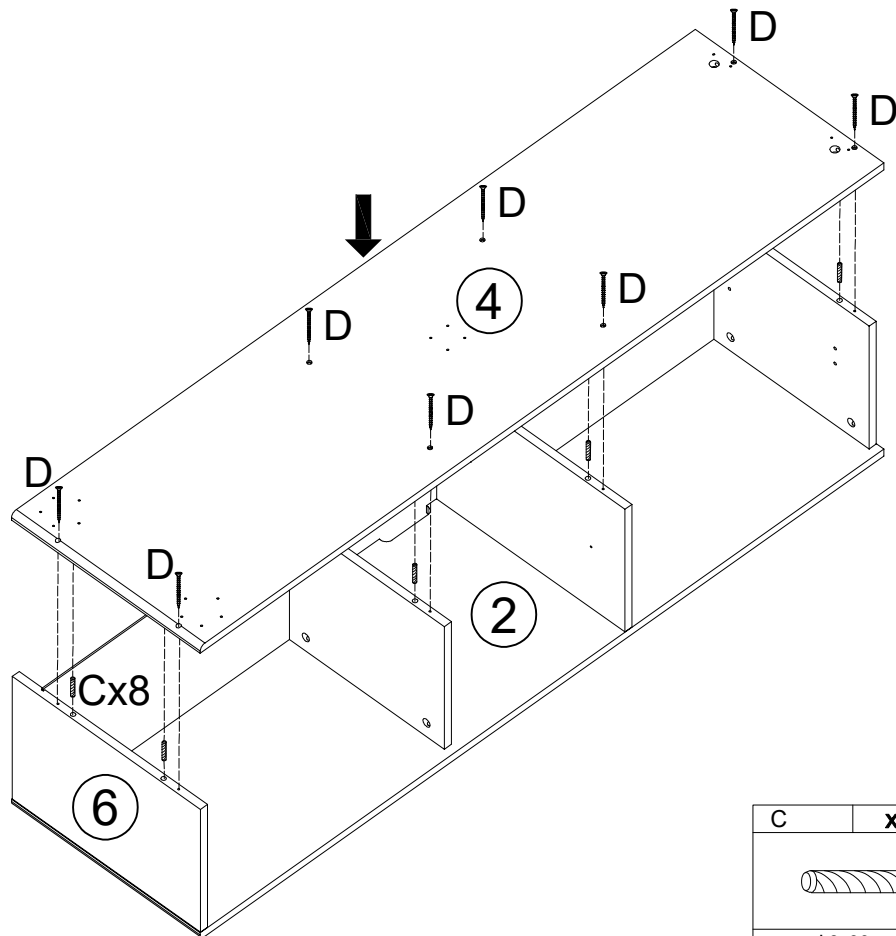
B	x8	C	x8	O	x8
					
Ø15mm		Φ8x30mm			


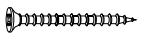
Assembly Instructions

STEP 7



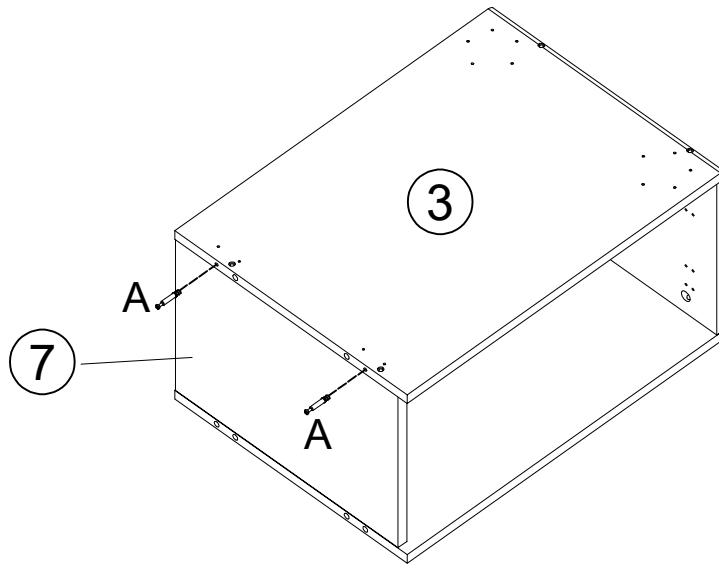
STEP 8

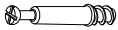


C	x8	D	x8
			
Φ8x30mm		M4x35mm	

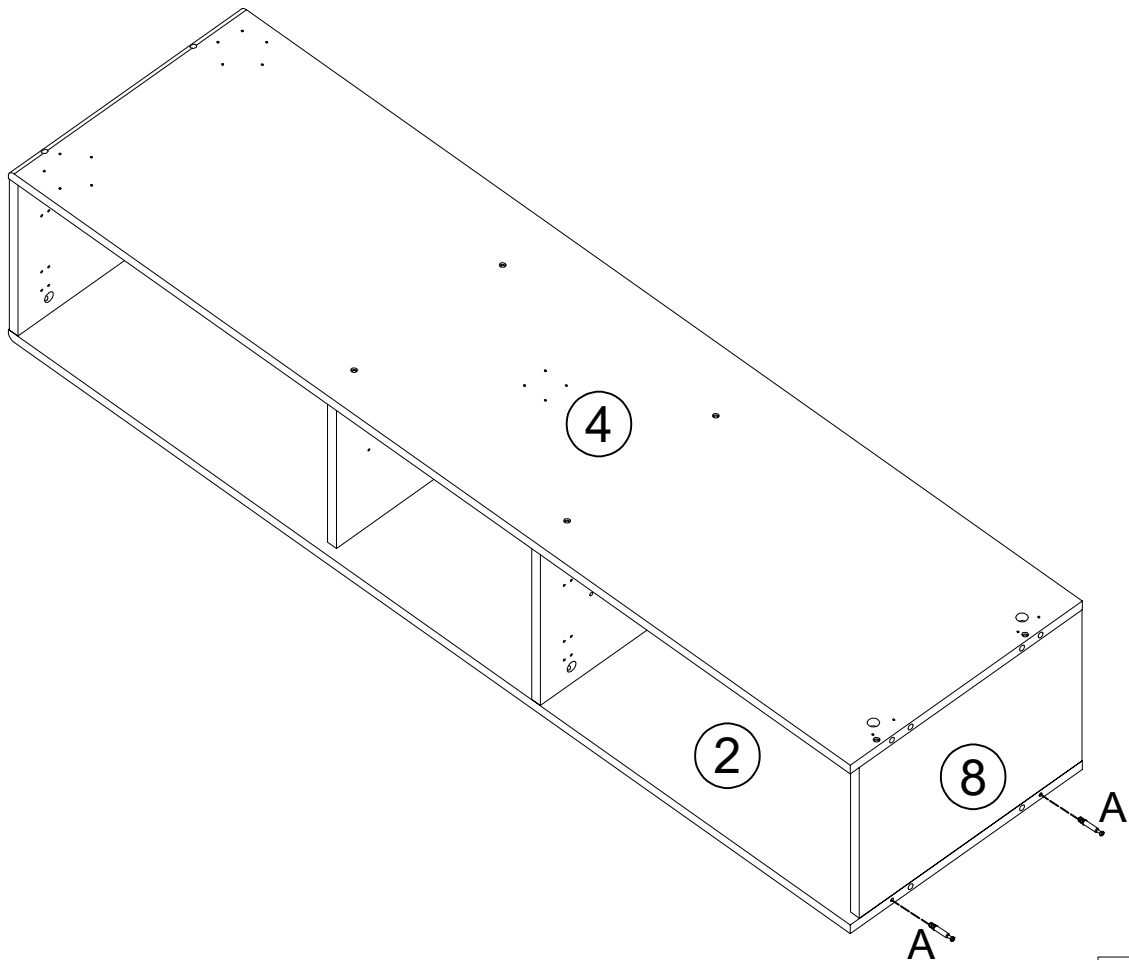
Assembly Instructions

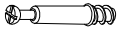
STEP 9



A	x2
	
M6x35mm	

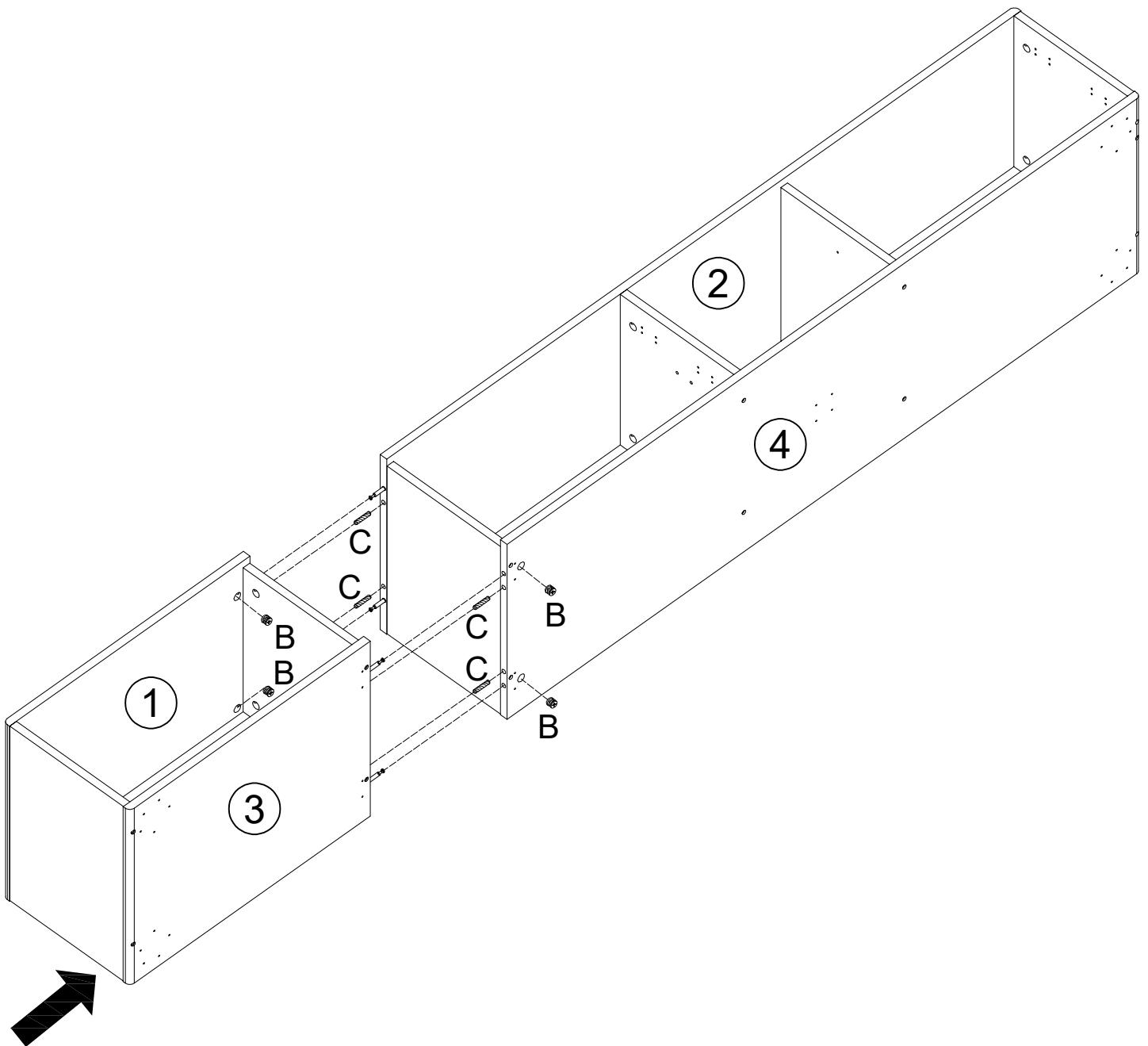
STEP 10


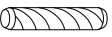


A	x2
	
M6x35mm	

Assembly Instructions

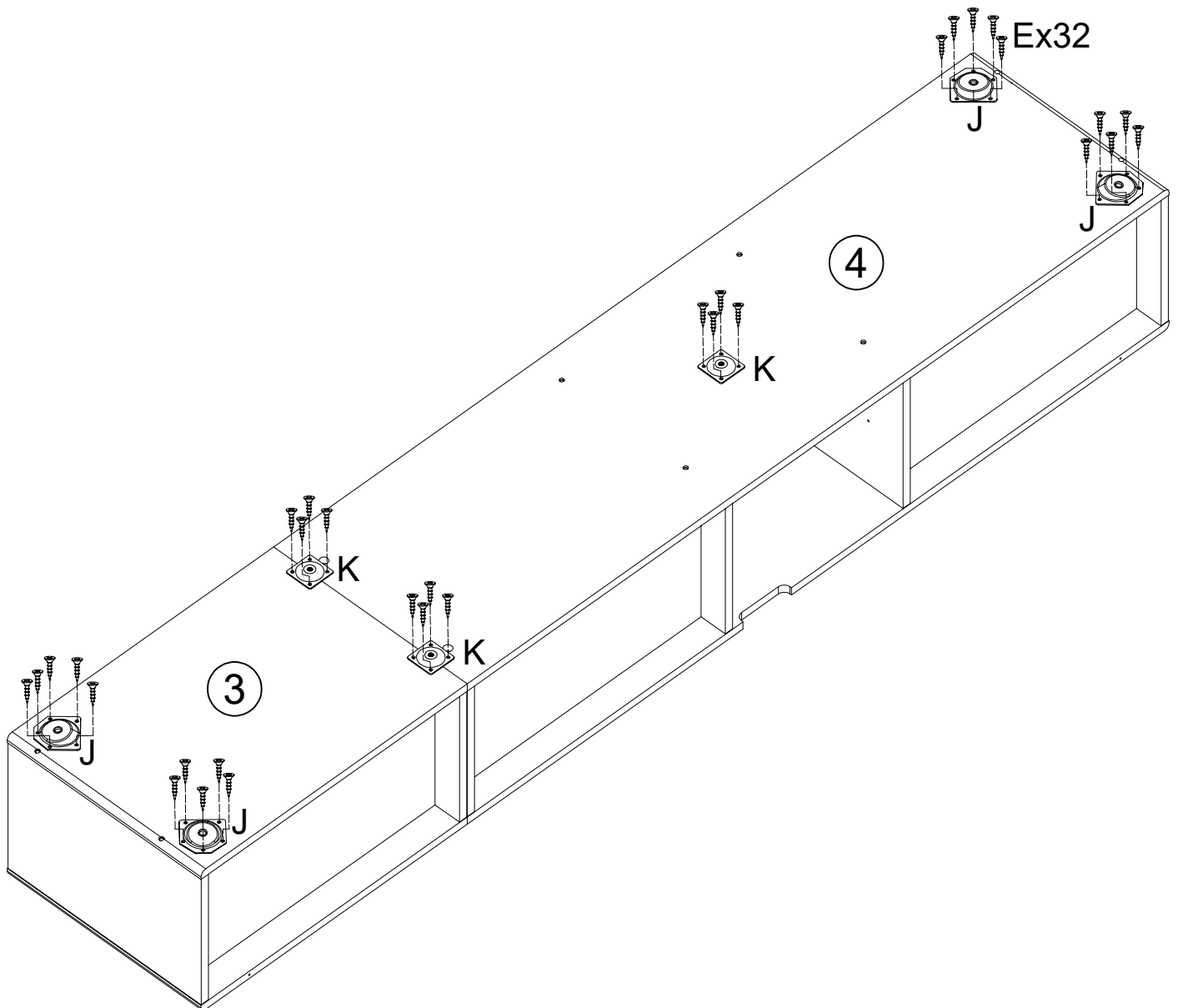
STEP 11


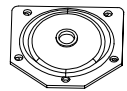
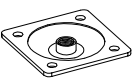


B	x4	C	x4
			
Ø15mm		Φ8x30mm	

Assembly Instructions

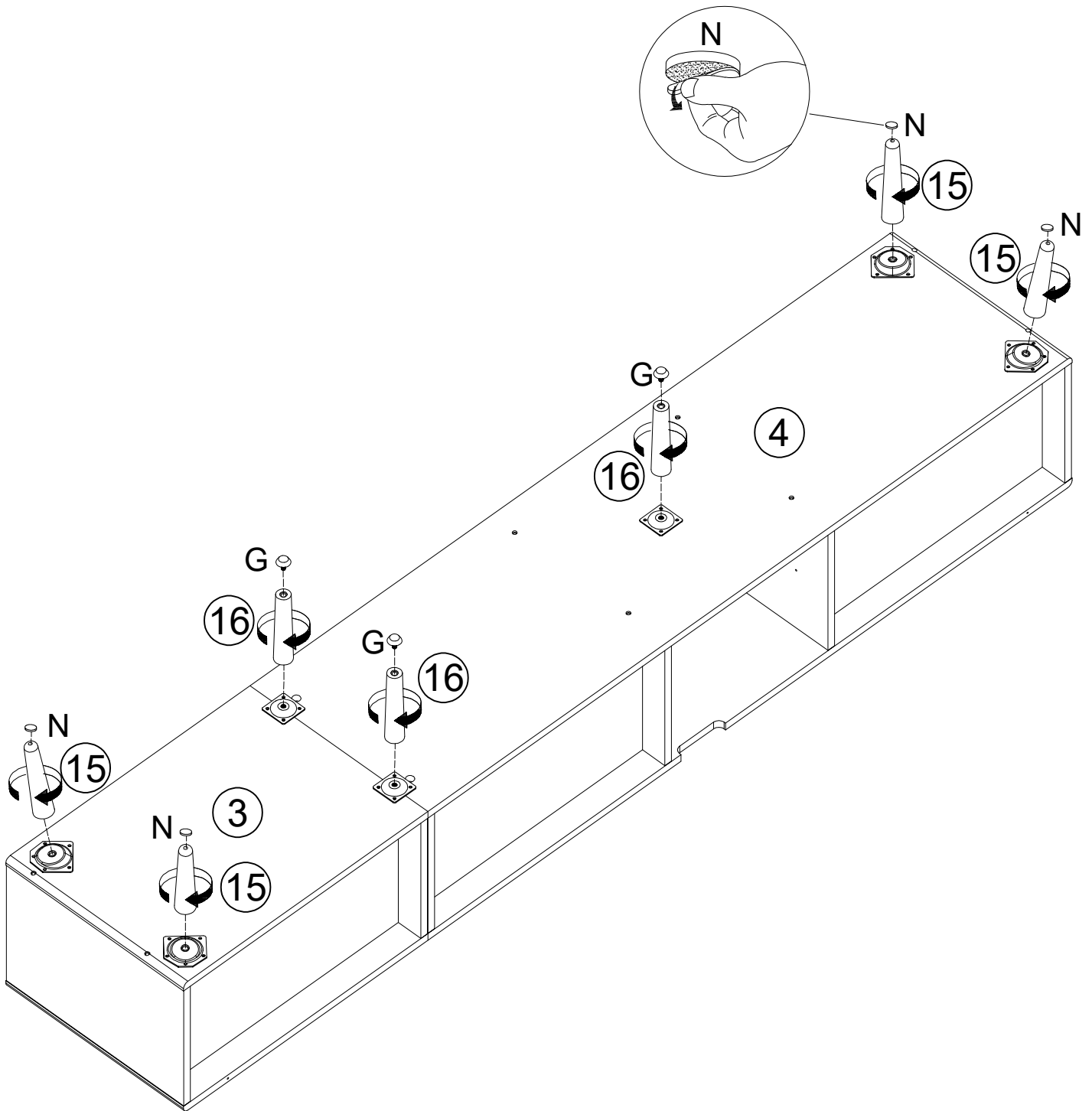
STEP 12



E	x32	J	x4	K	x3
					
M3.5x14mm					

Assembly Instructions

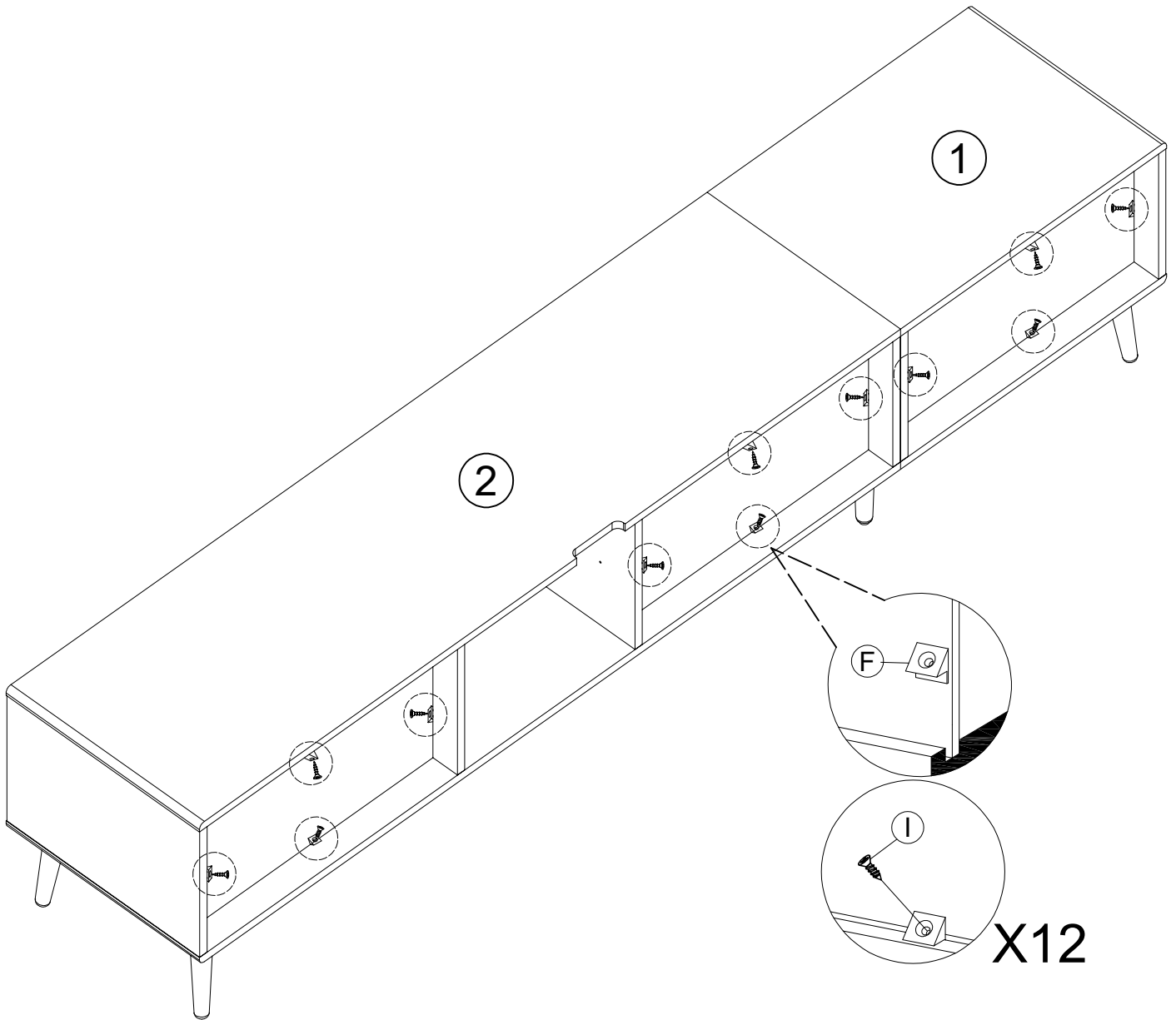
STEP 13

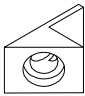
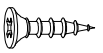


G	x3	N	x4
		EVA	

Assembly Instructions

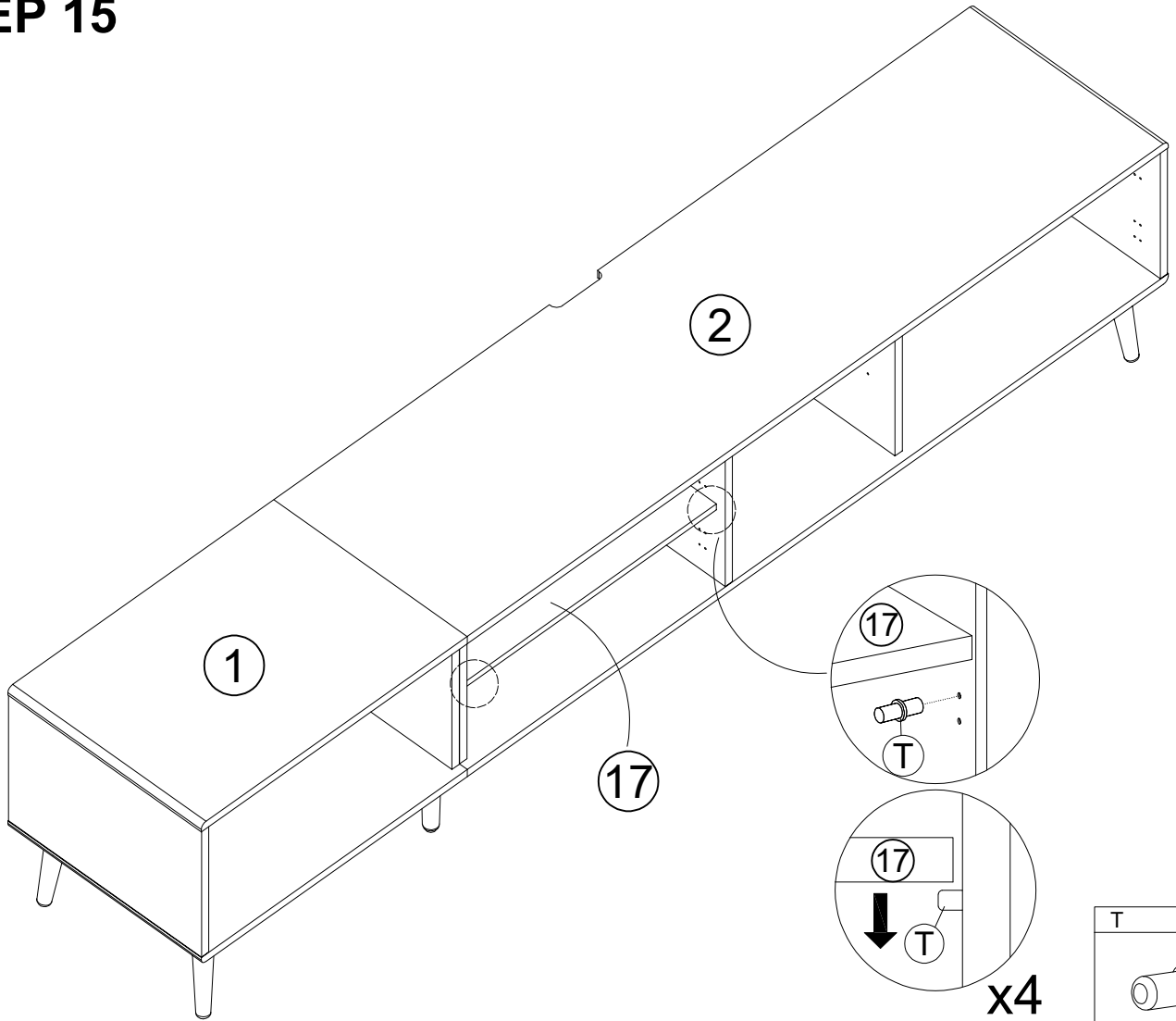
STEP 14



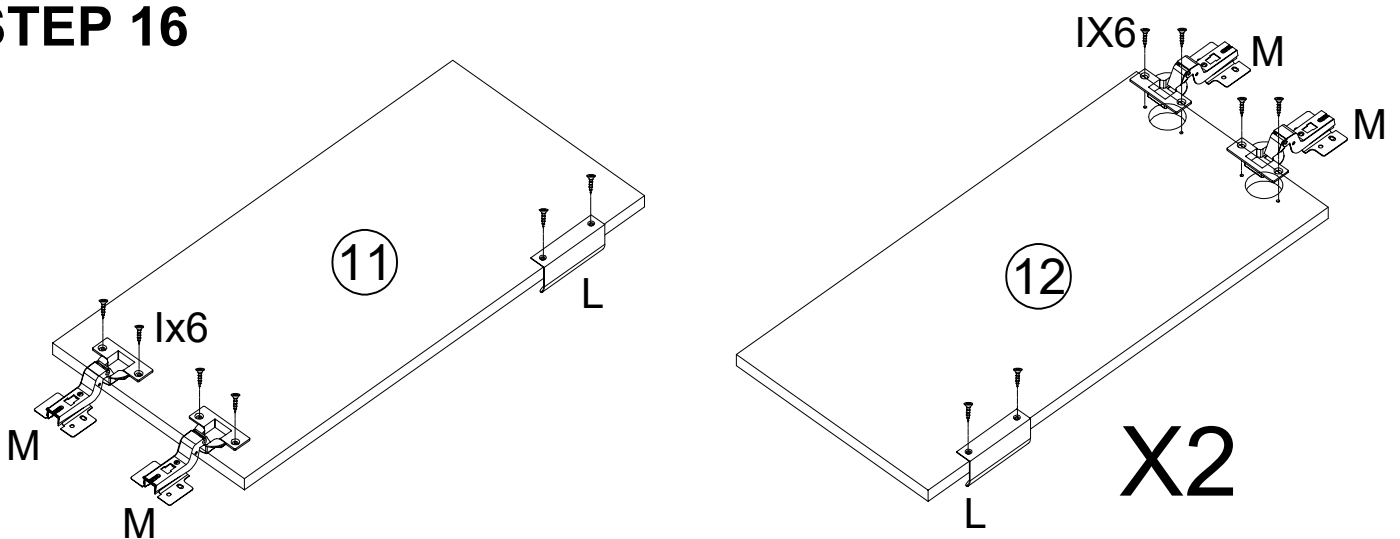
F	x12	I	x12
			
M3.5x14mm			

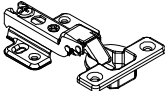
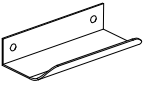
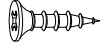
Assembly Instructions

STEP 15



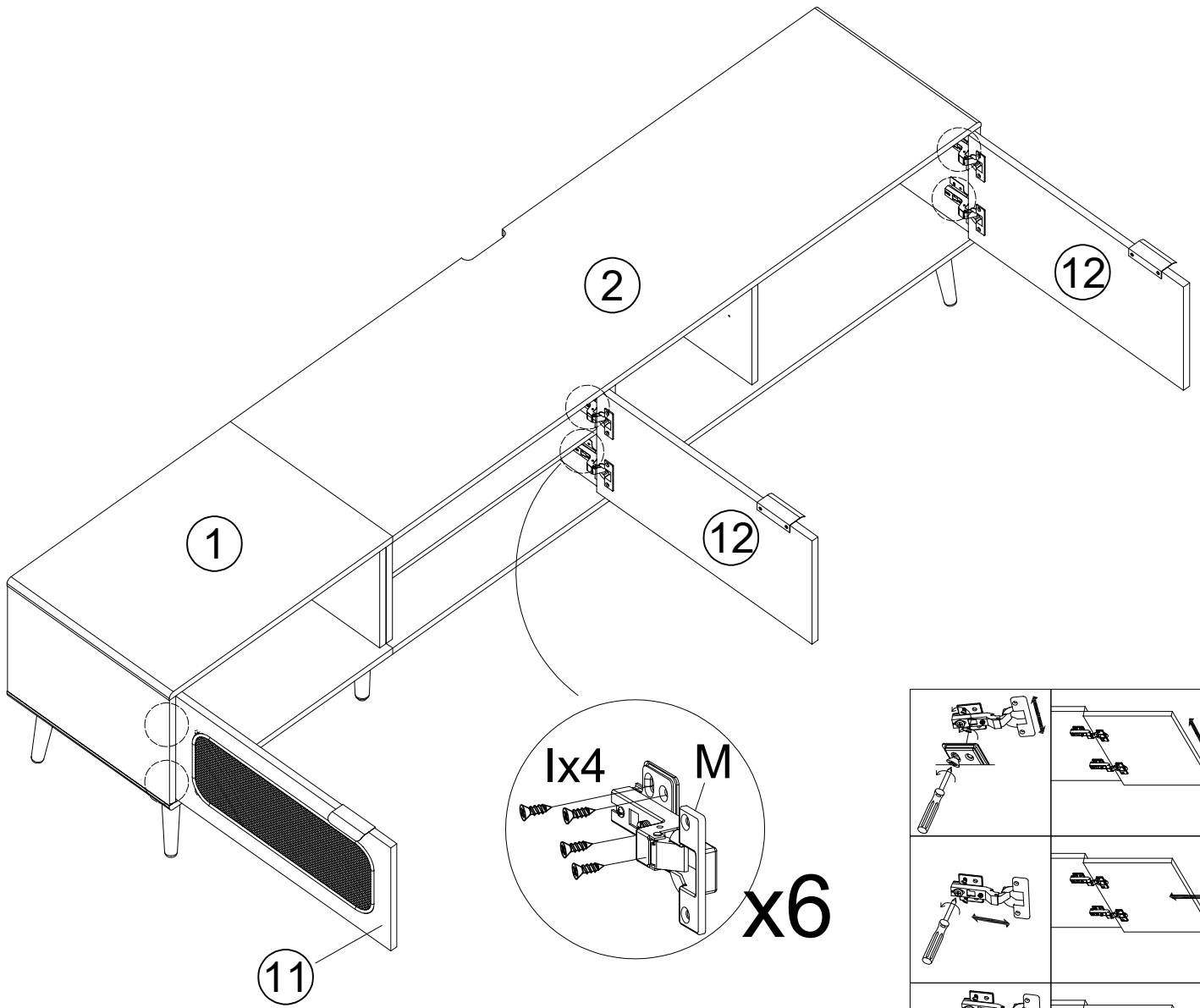
STEP 16



M	x6	L	x3	I	x18
				 M3.5x14mm	

Assembly Instructions

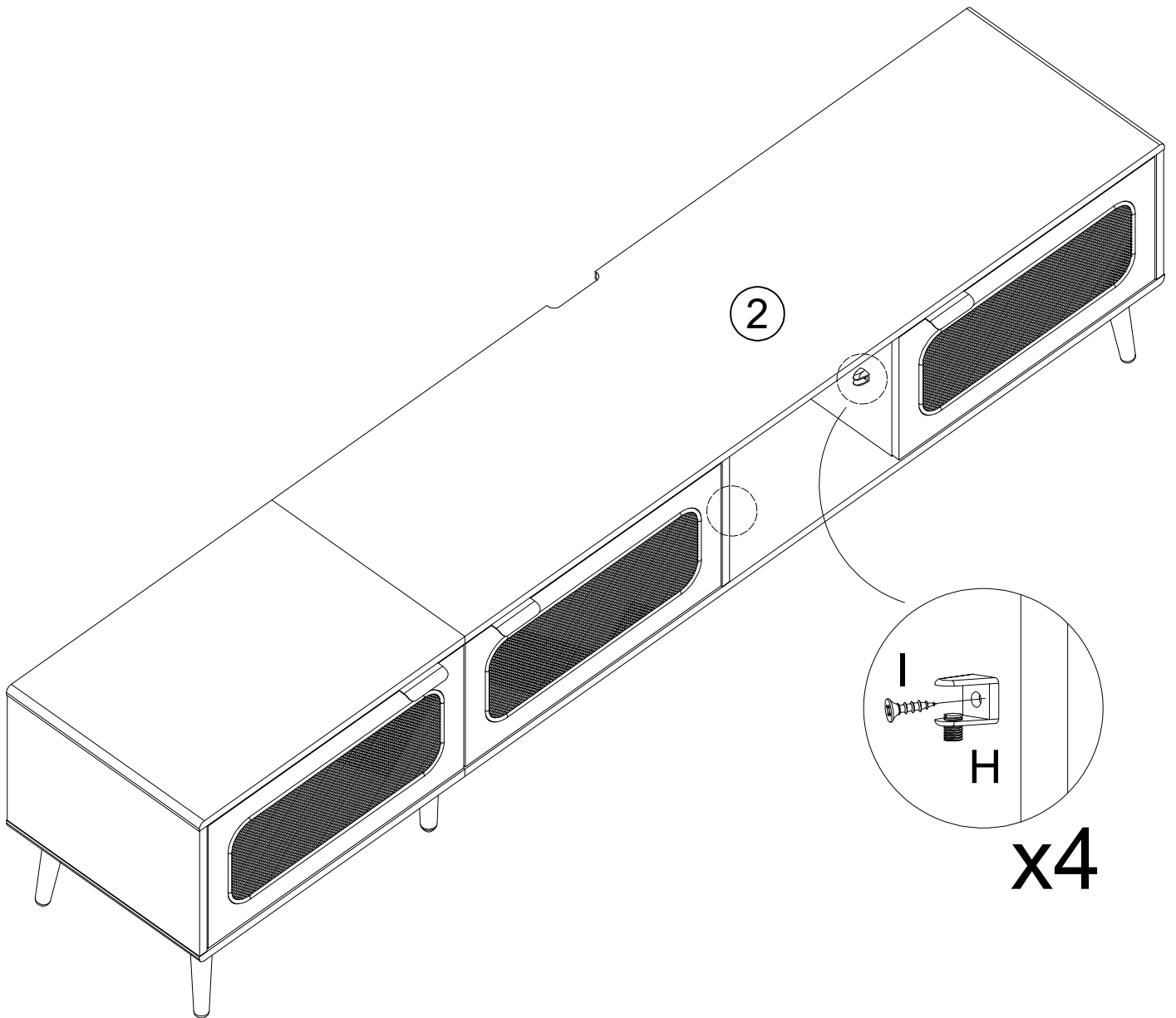
STEP 17

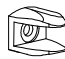
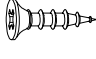


I	x24
M3.5x14mm	

Assembly Instructions

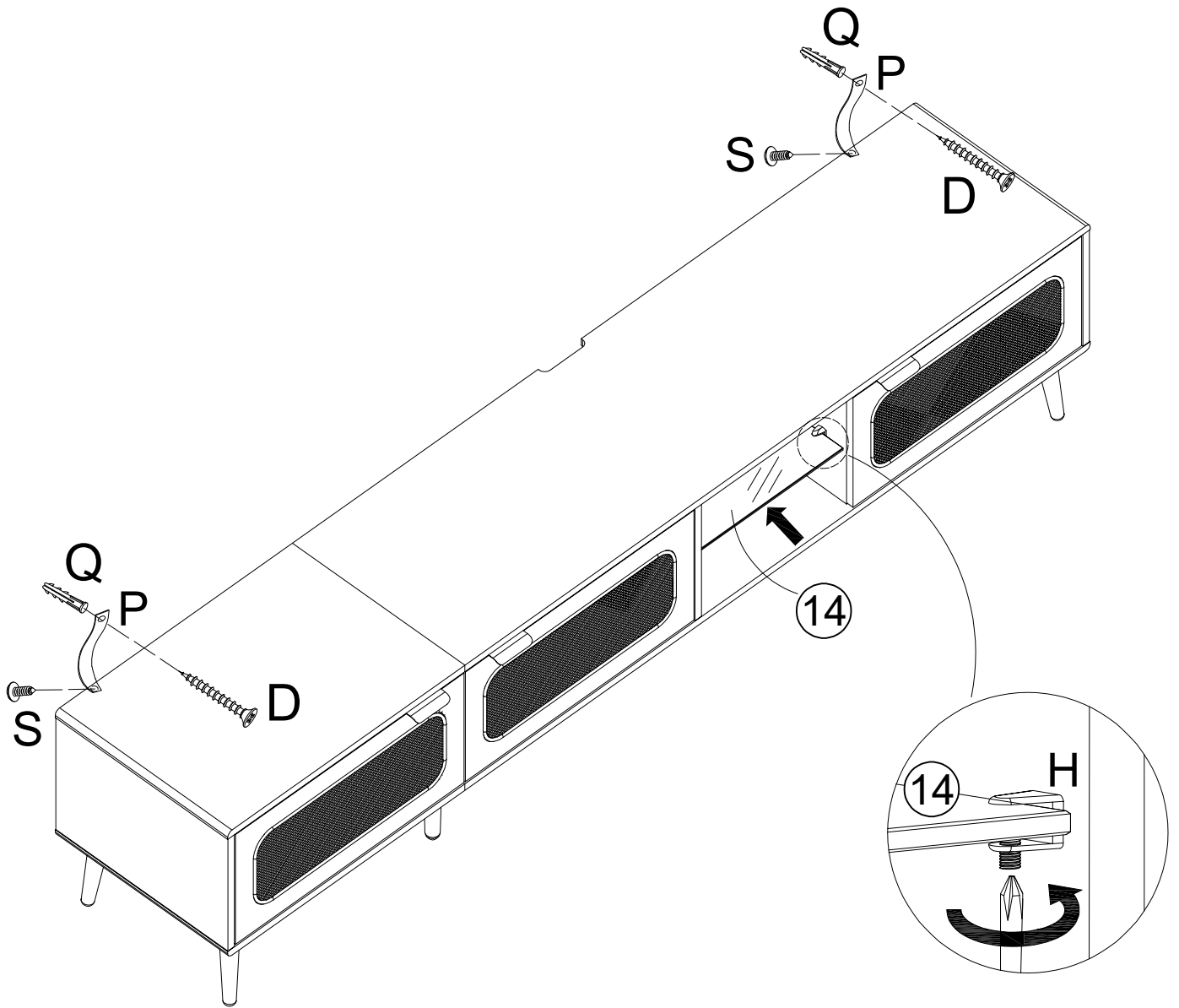
STEP 18

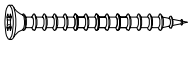


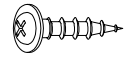


H	x4	I	x4
			
		M3.5x14mm	

Assembly Instructions

STEP 19



D	x2	P	x2	Q	x2	S	x2
							
M4x35mm						M4x14mm	