
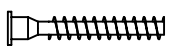





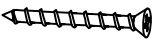
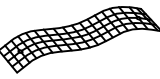

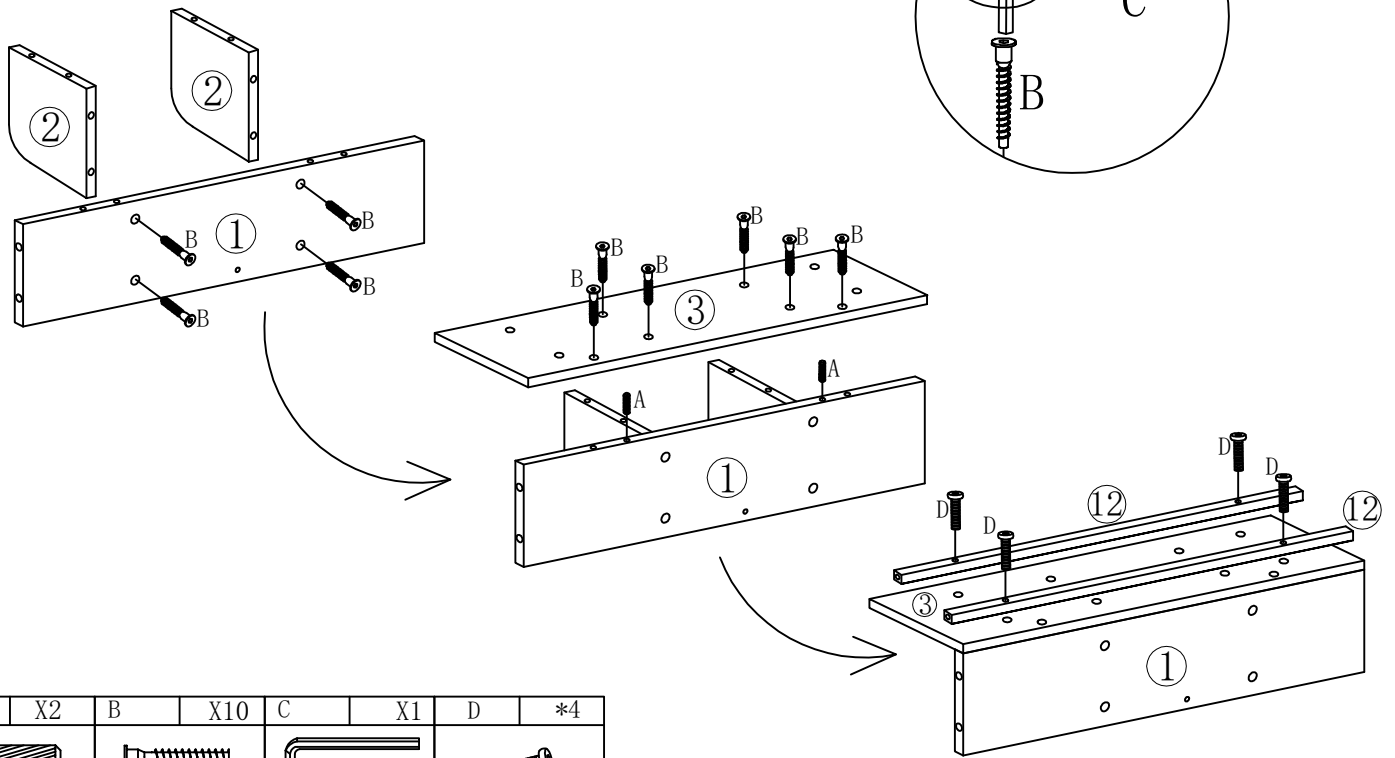


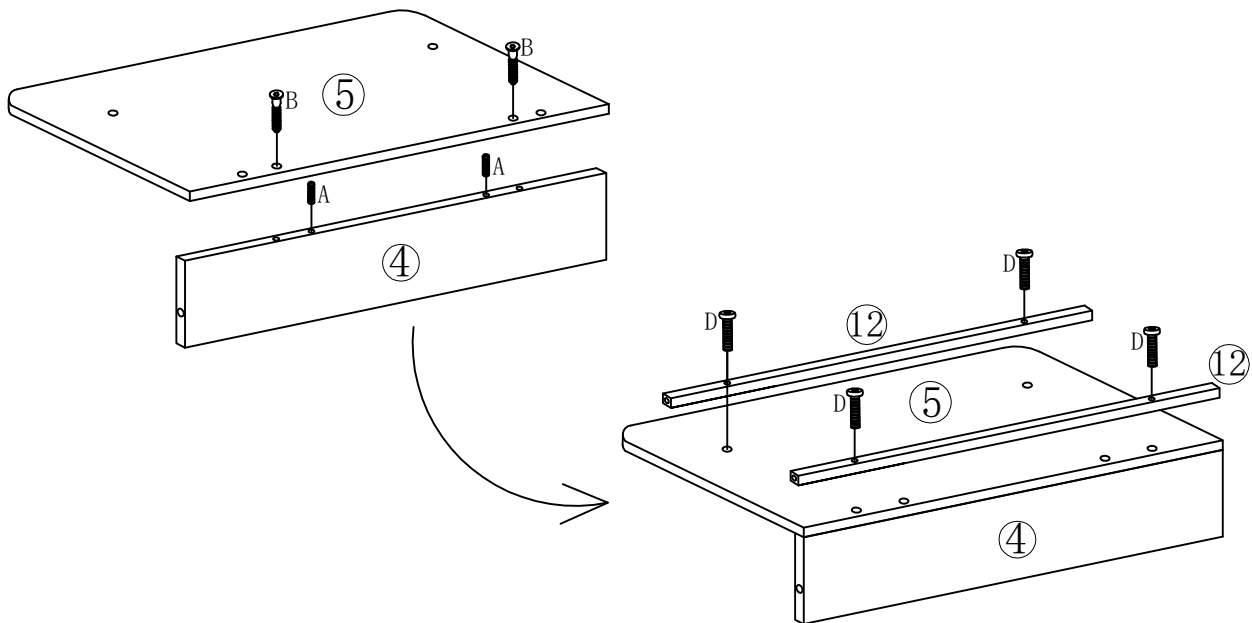
A	X6	B	X22	C	X1	D	*44	E	*8
									
$\phi 7.8 \times 30$		$\phi 7 \times 47$		M4X55		M6*25mm		M6*12mm	
F	*12	G	*1	H	*1	I	*1	J	*1
									
M6*40mm		$\phi 3.5 \times 14 \text{mm}$		4*35mm		155*20mm		$\phi 8 \times 40 \text{mm}$	

STEP: 1



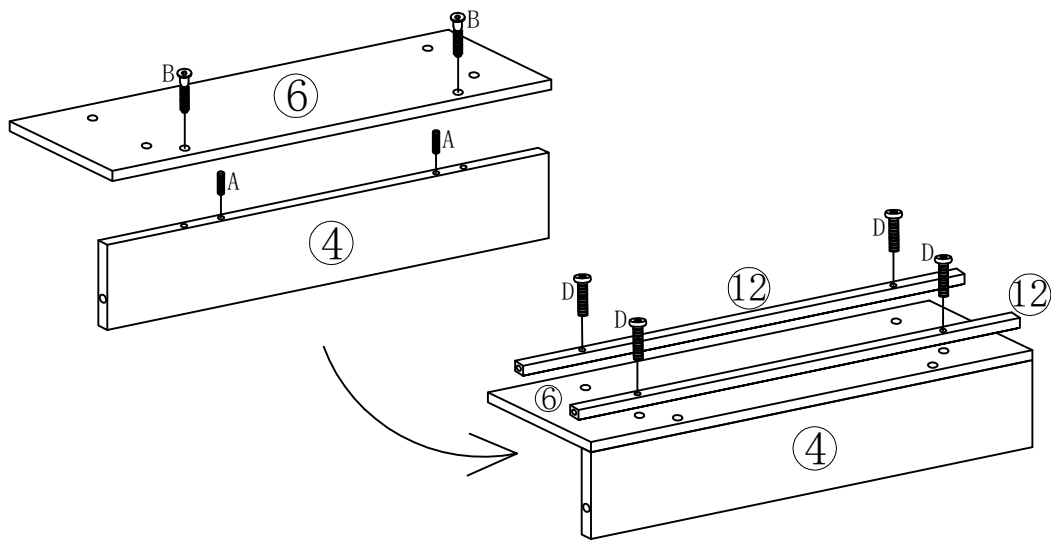
A	X2	B	X10	C	X1	D	*4
$\phi 7.8 \times 30$		$\phi 7 \times 47$		M4X55		M6*25mm	




STEP: 2



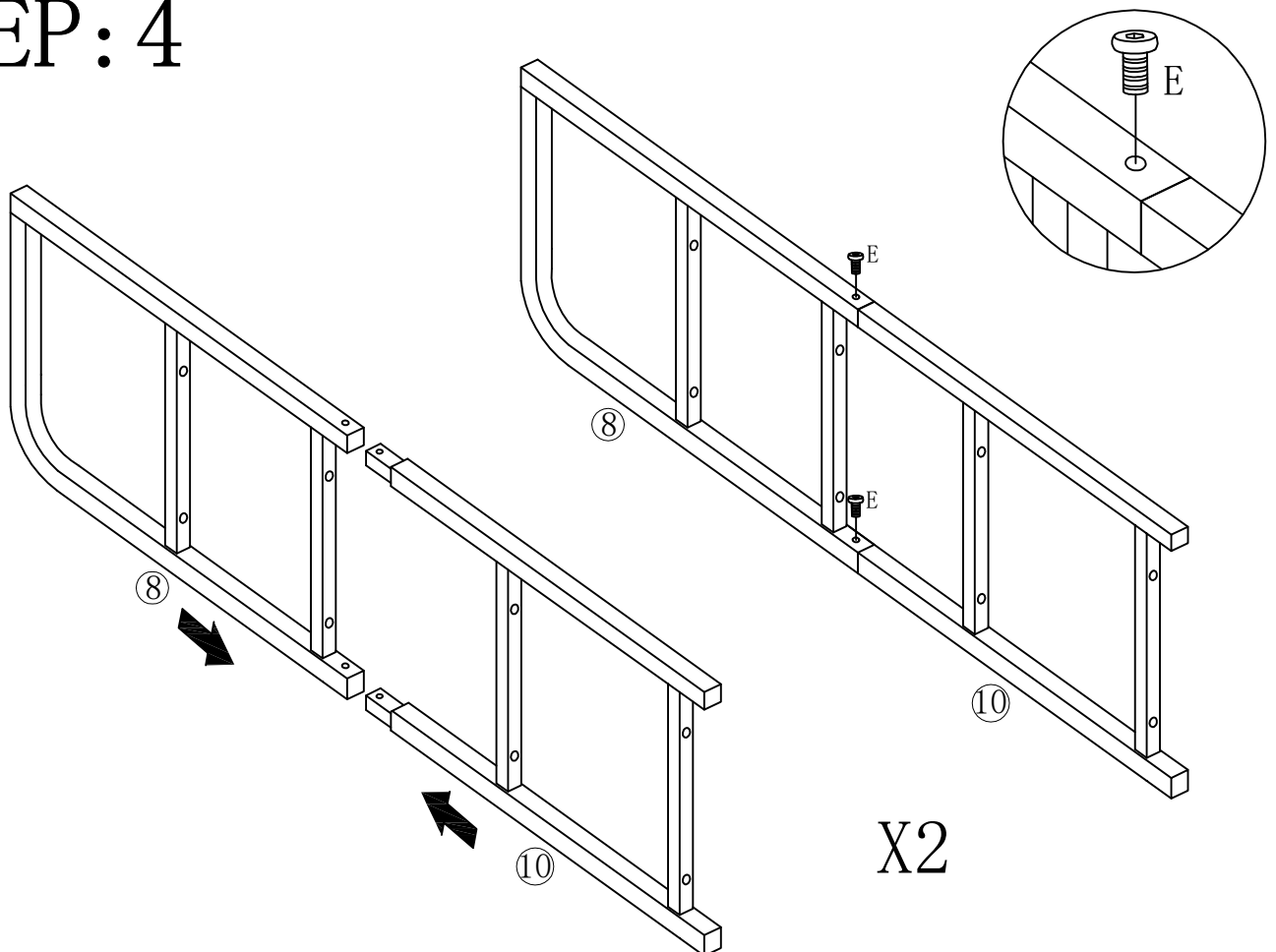
A	X2	B	X2	D	*4
$\phi 7.8 \times 30$		$\phi 7 \times 47$		M6*25mm	


STEP: 3



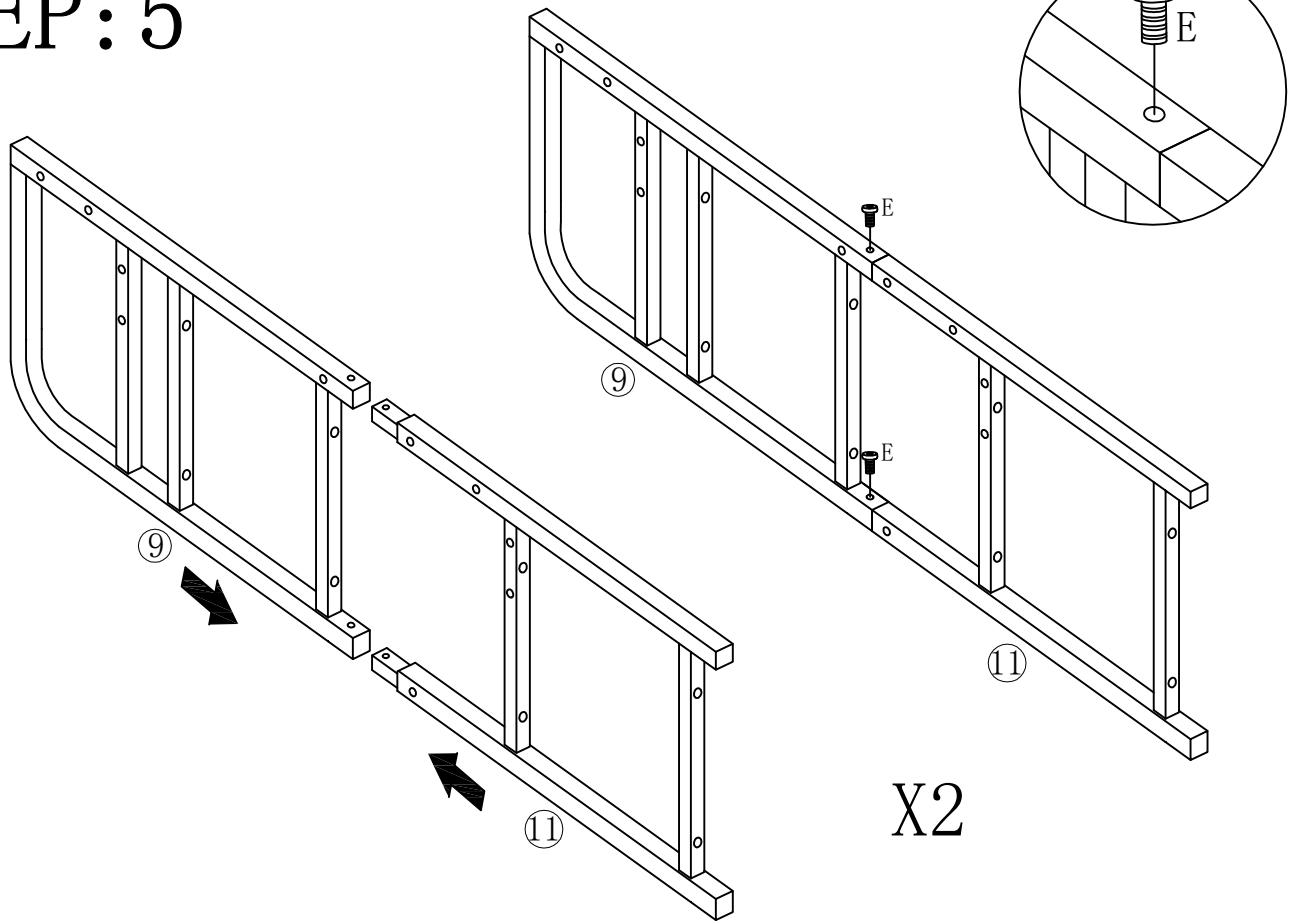
A	X2	B	X2	D	*4
					
$\phi 7.8 \times 30$		$\phi 7 \times 47$		M6*25mm	


STEP: 4



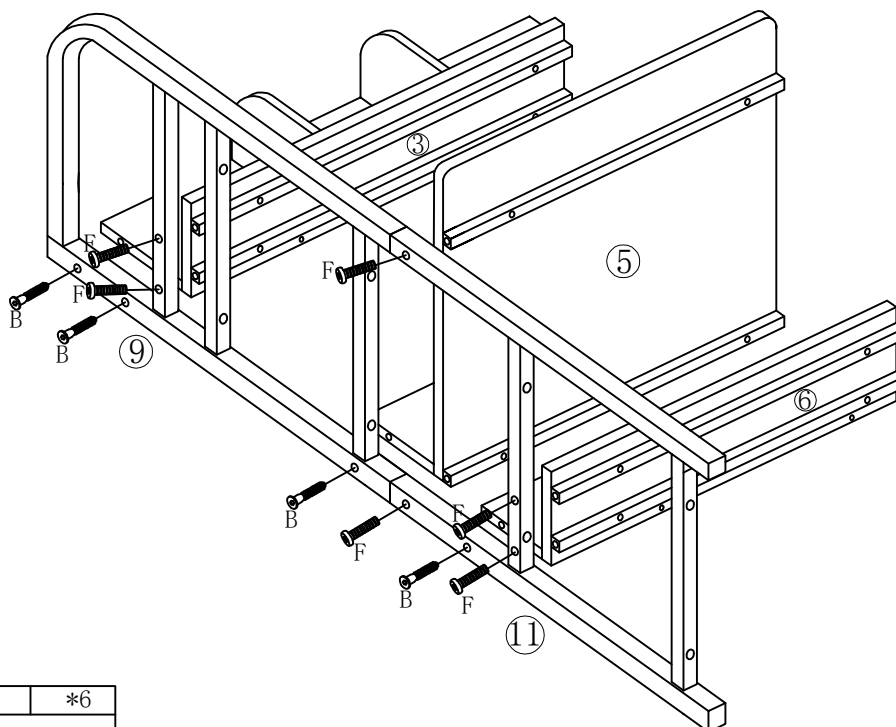
E	*4
	
M6*12mm	



STEP: 5



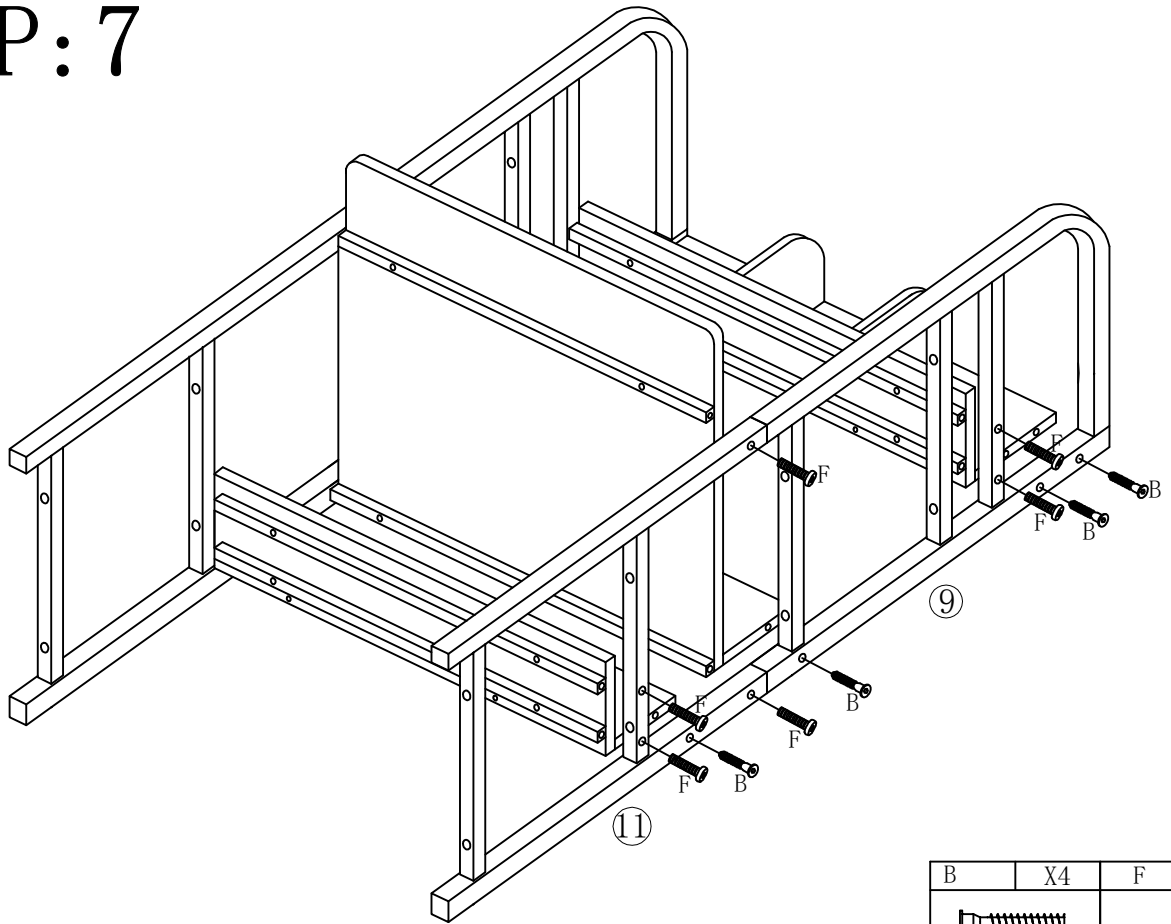
E	*4
	
M6*12mm	

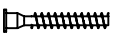

STEP: 6



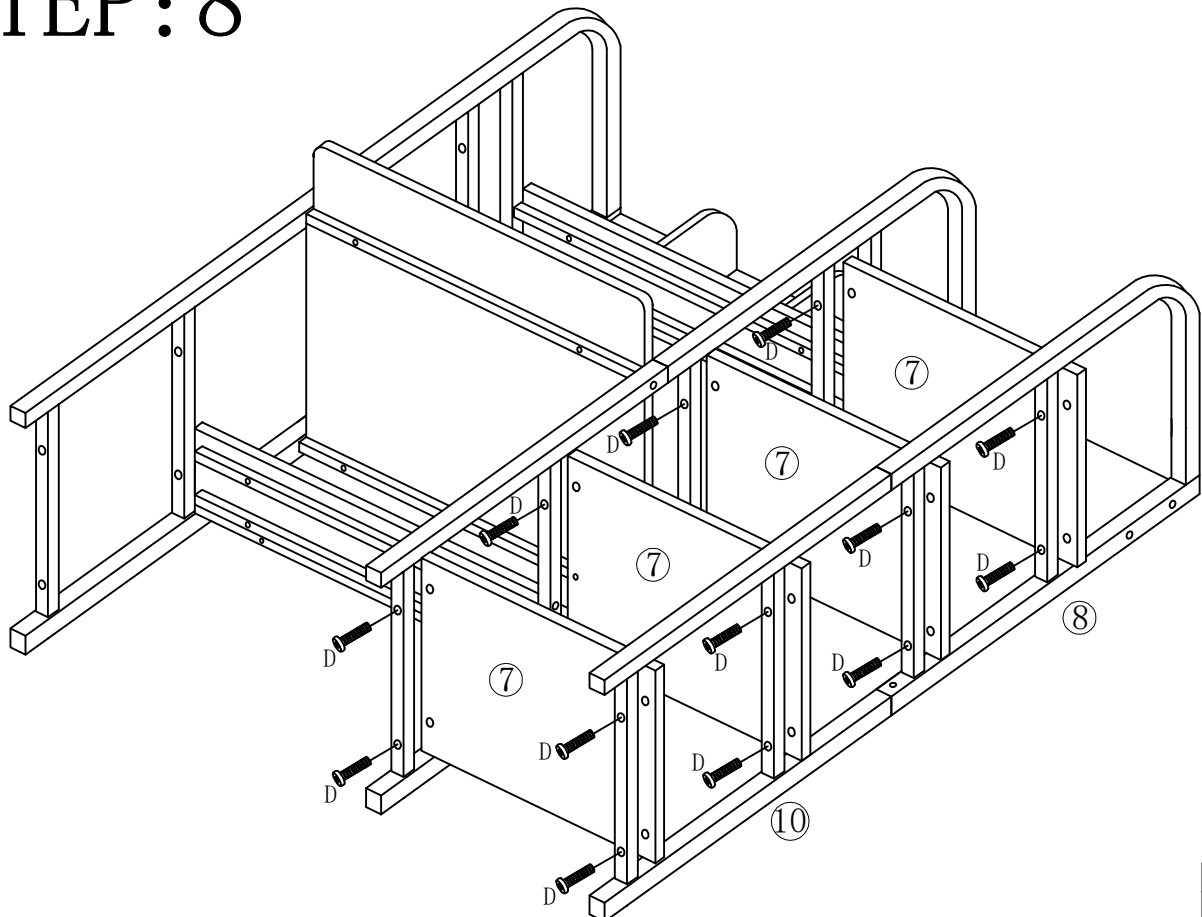
B	X4	F	*6
			
Φ 7X47		M6*40mm	


STEP: 7



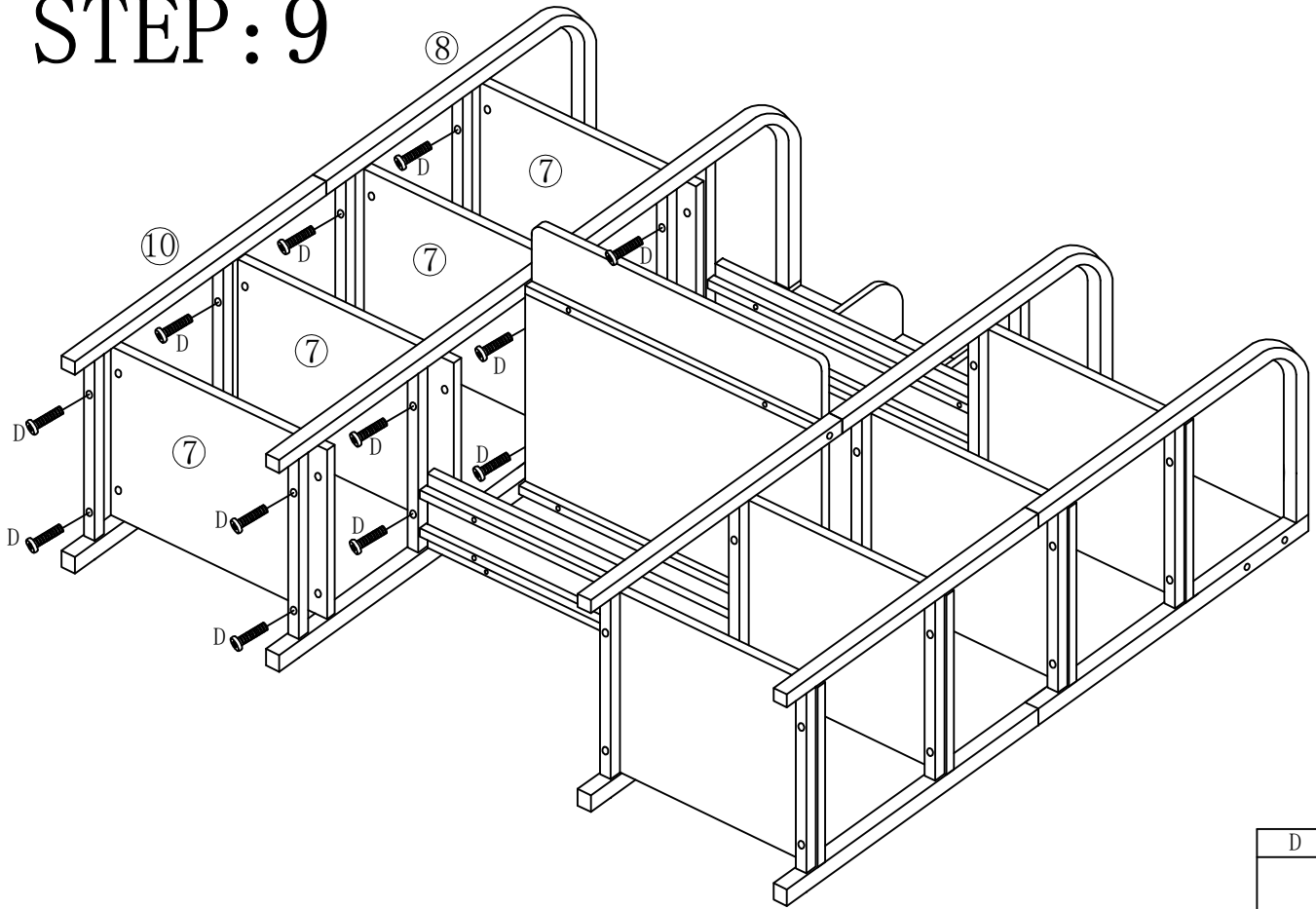
B	X4	F	*6
			
φ 7X47		M6*40mm	

STEP: 8

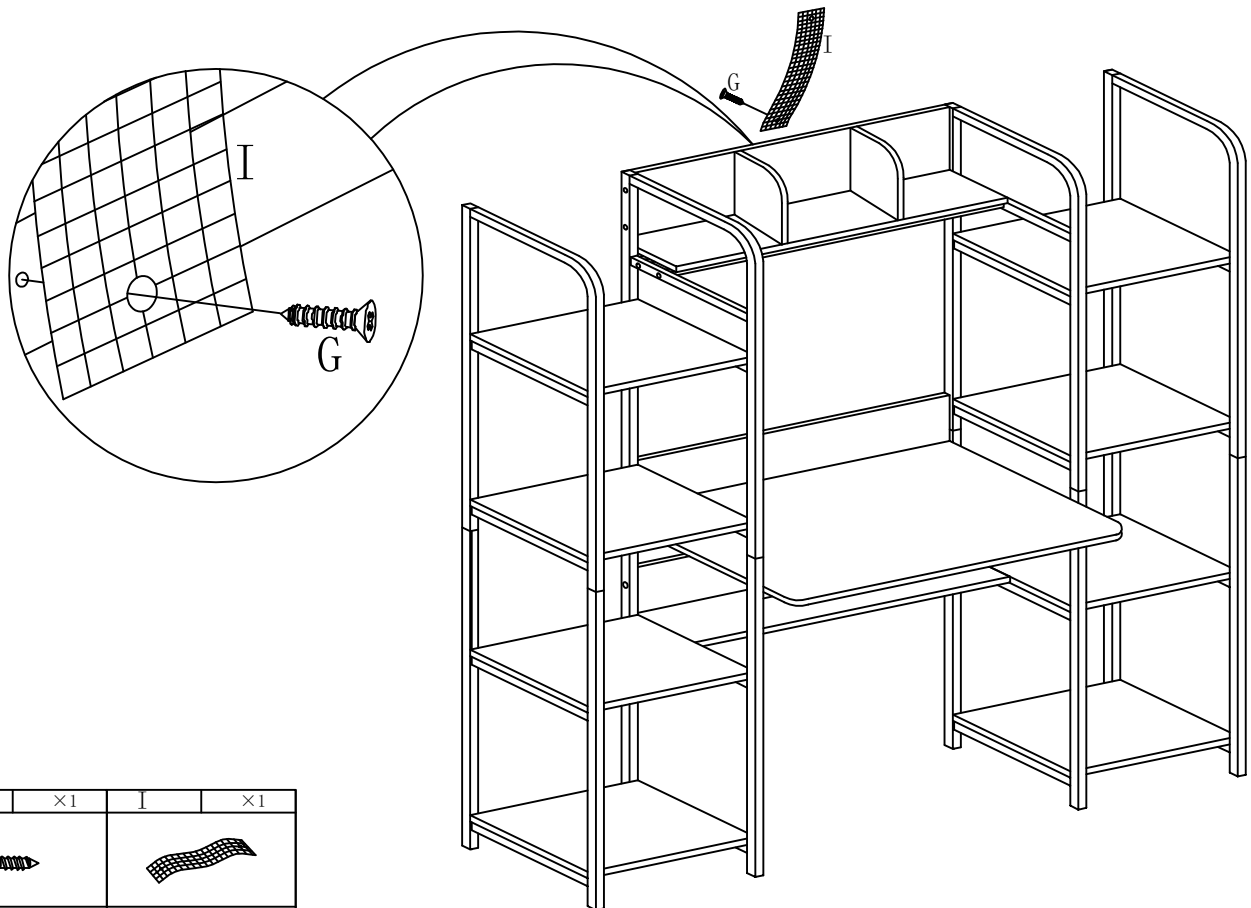


D	*16
	
M6*25mm	

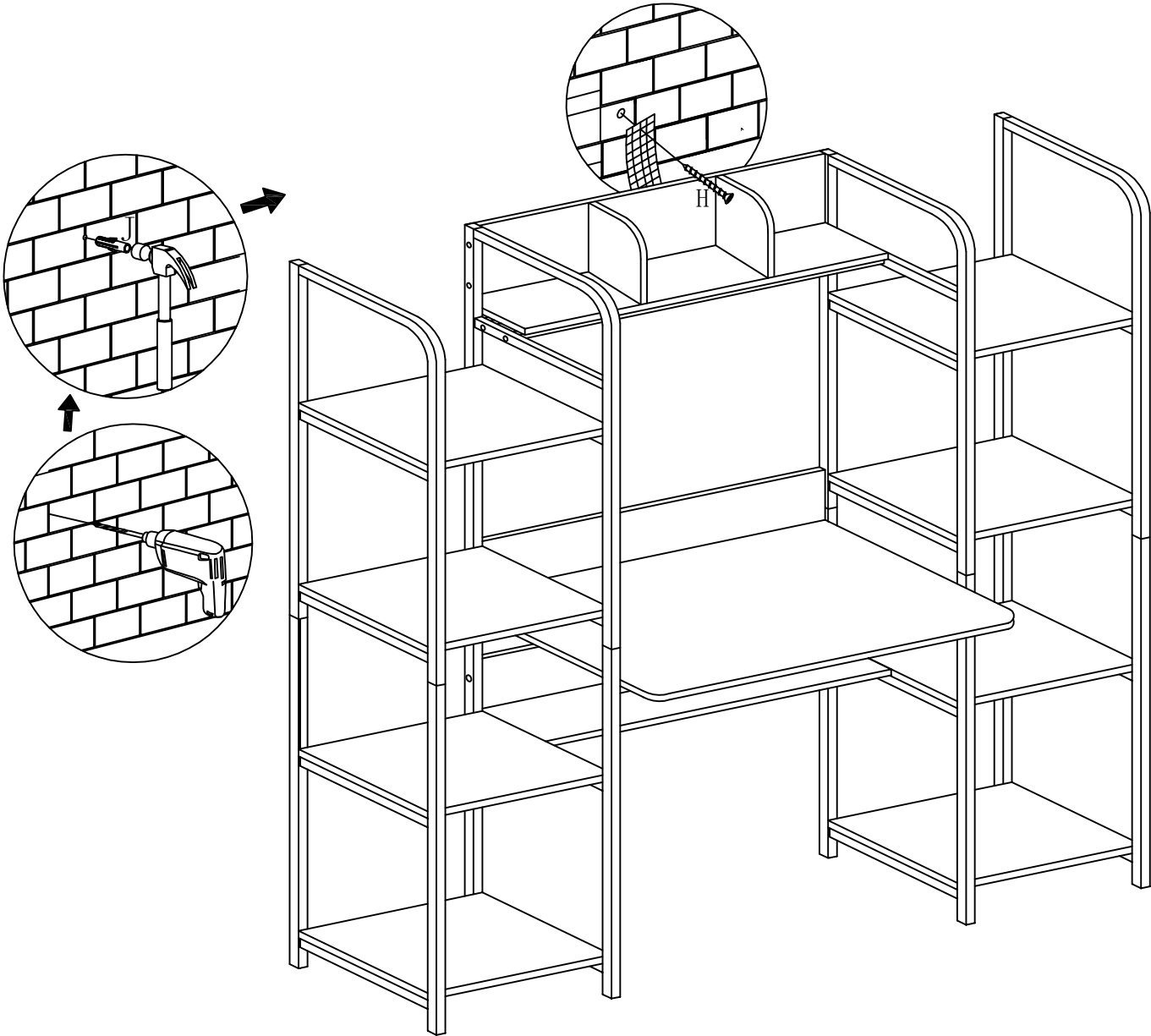
STEP: 9

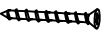



STEP: 10



STEP: 11



H	×1	J	×1
			
ø4*35mm		ø8*40mm	