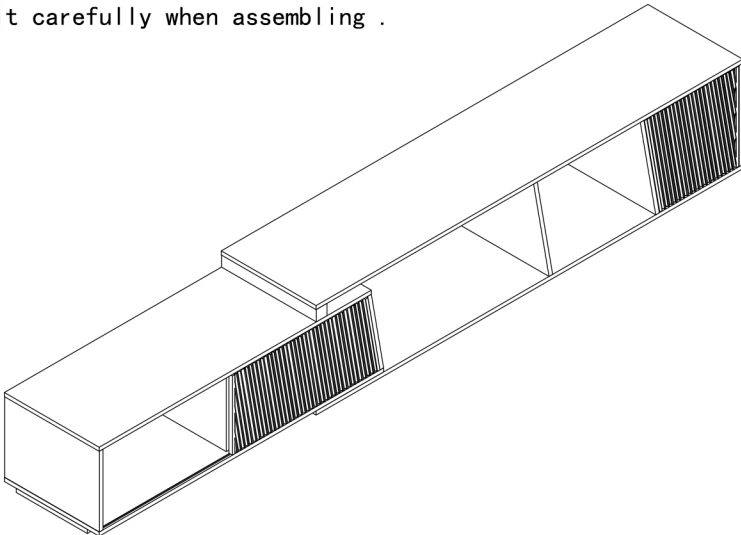
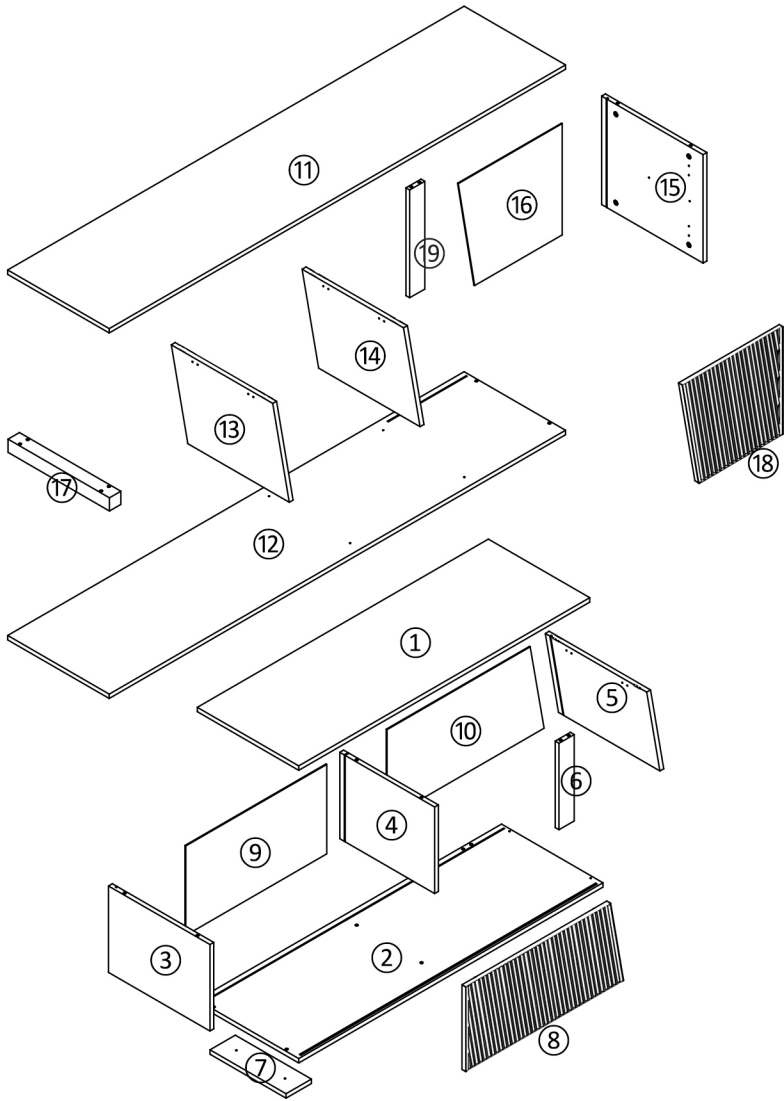



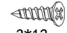
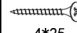


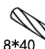








# ASSEMBLY INSTRUCTION

- Read the assembly instructions carefully before beginning assembly.
- Ensure the safety of the glass during assembly.
- Do not over tighten the screws and bolts as this may damage the threads.
- Insert the screw into the hole as shown in the figure, follow the arrow in the picture, and then rotate 90° or 180° clockwise.
- Keep the small accessories in the accessory bag away from children.
- The remaining parts are spare parts.
- Kind tips: when installing the white backboard, install the white side inward.
- The operating instruction of RGB light is included in the package. Read it carefully when assembling .



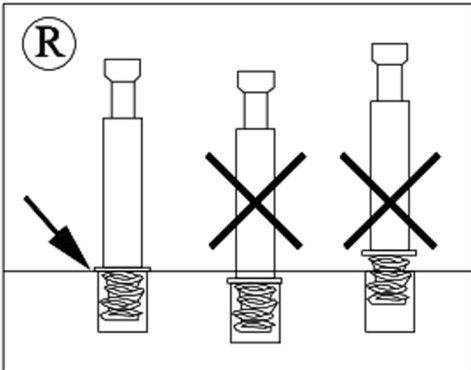
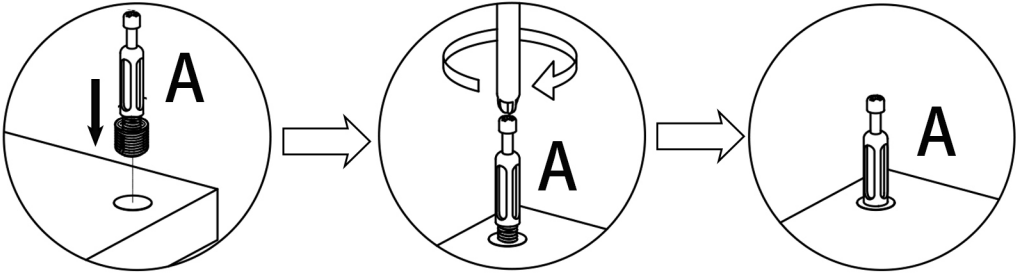


<b>A</b>  22pcs	<b>B</b>  22pcs	<b>C</b>  3.5*14 46pcs	<b>C1</b>  3*12 4pcs	<b>C2</b>  4*25 8pcs	<b>C8</b>  3.5*12 4pcs	<b>D2</b>  2pcs	<b>E</b>  8*40 2pcs	<b>H</b>  1pcs	<b>J</b>  6pcs
<b>Y</b>  12pcs	<b>AG</b>  1pcs	<b>AM</b>  Decorative paper 14pcs	<b>AS2</b>  2pcs						



# Hardware installation demonstration

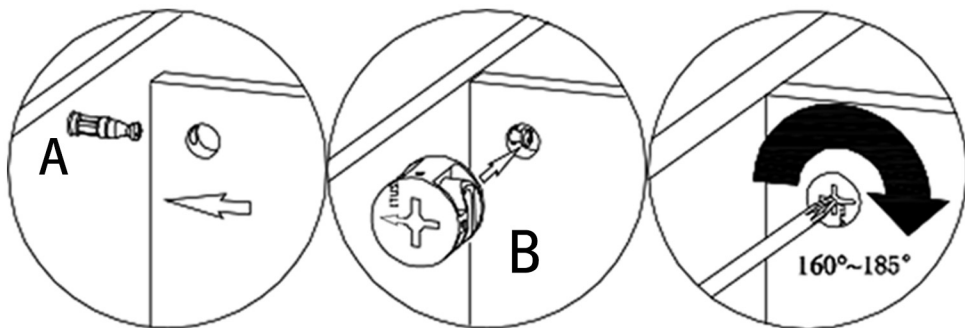
● Please make sure "A" hardware tightened and can't be pulled out





## Hardware installation demonstration

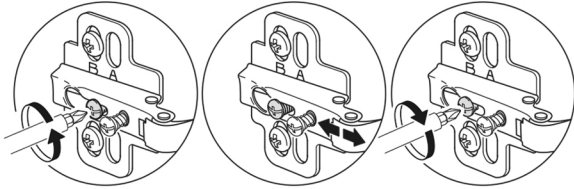
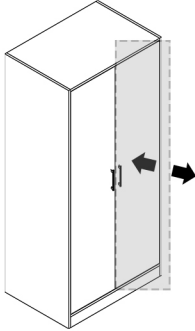
- When inserting cam ensure arrowhead on cam points toward the hole on the panel edge





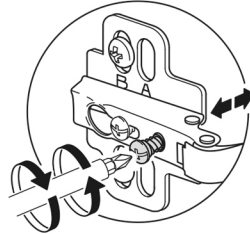
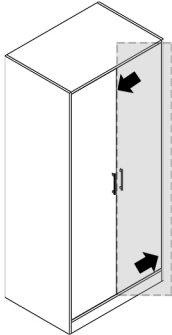
# Hardware installation demonstration

## Cabinet door front and rear adjustment



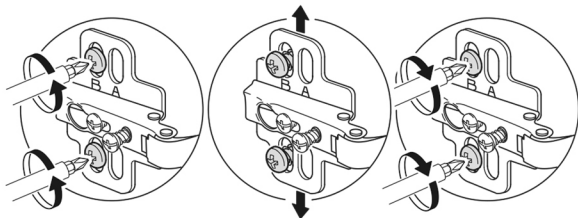
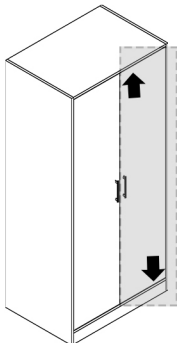
Adjusting screws can change the gap between the door panel and the cabinet side

## Cabinet door left and right adjustment



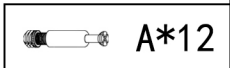
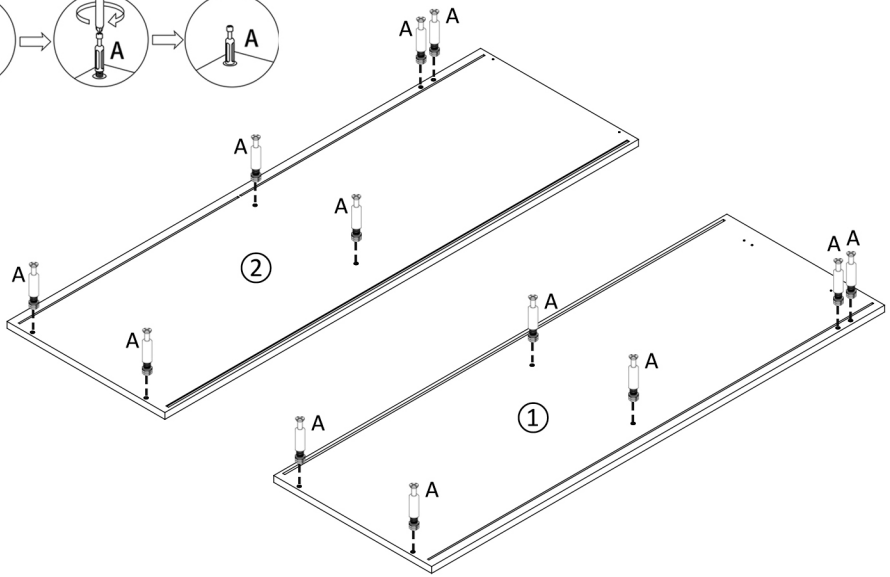
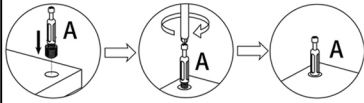
Adjusting screws can change the door panel relative to the cabinet next to the coverage

## Cabinet door up and down adjustment

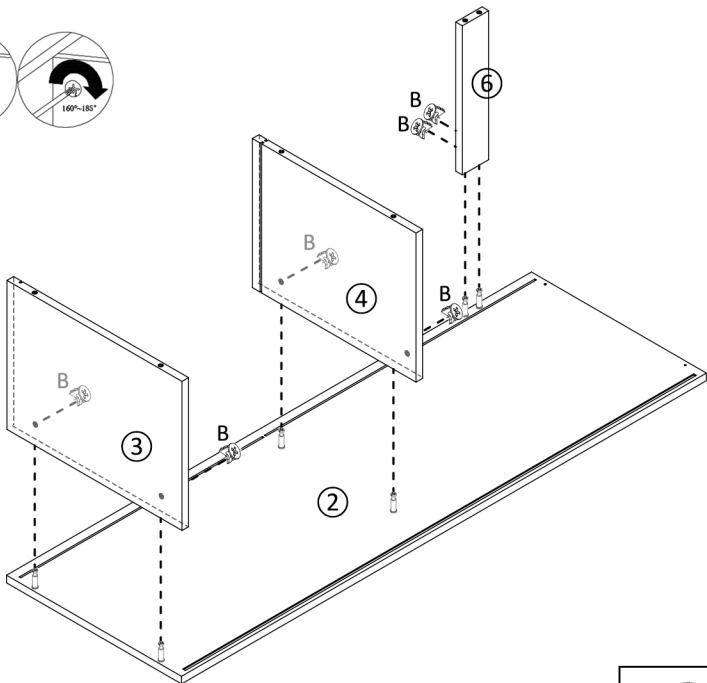
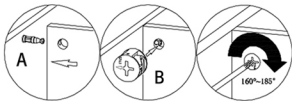


Adjusting screws can correct the upper and lower clearance of the door panel

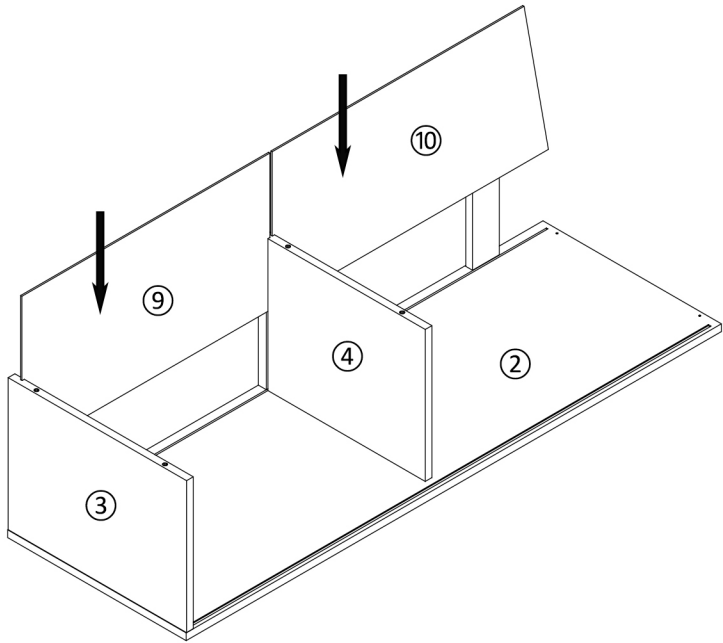
# STEP 1



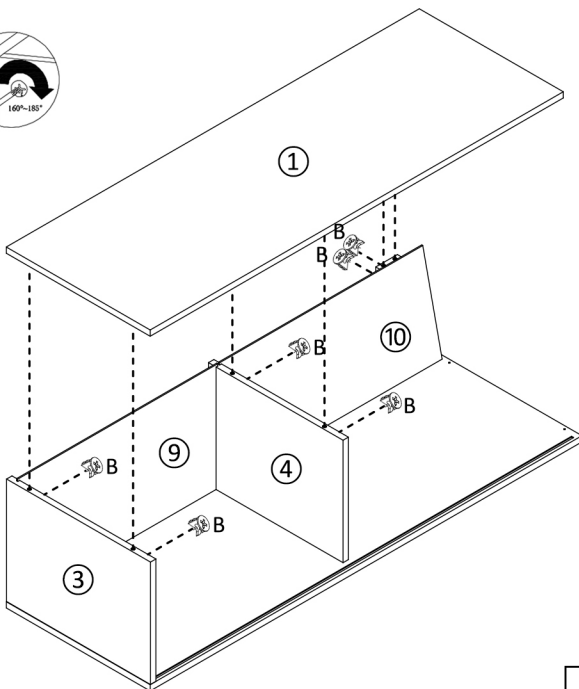
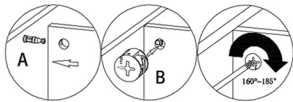
# STEP 2



# STEP 3

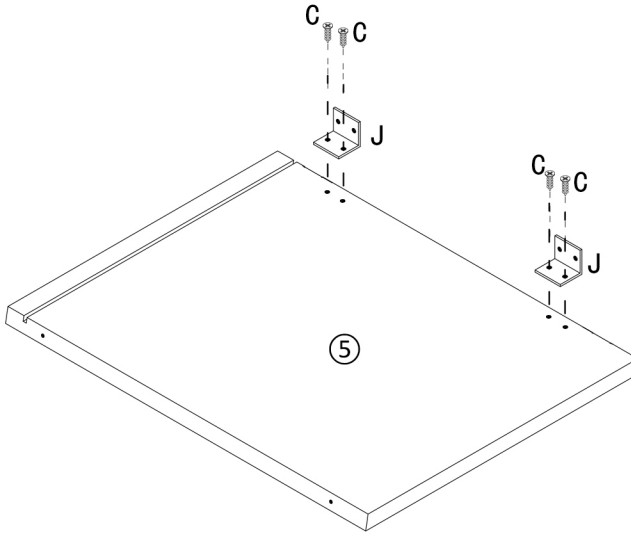


# STEP 4

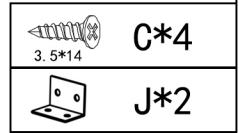


B\*6

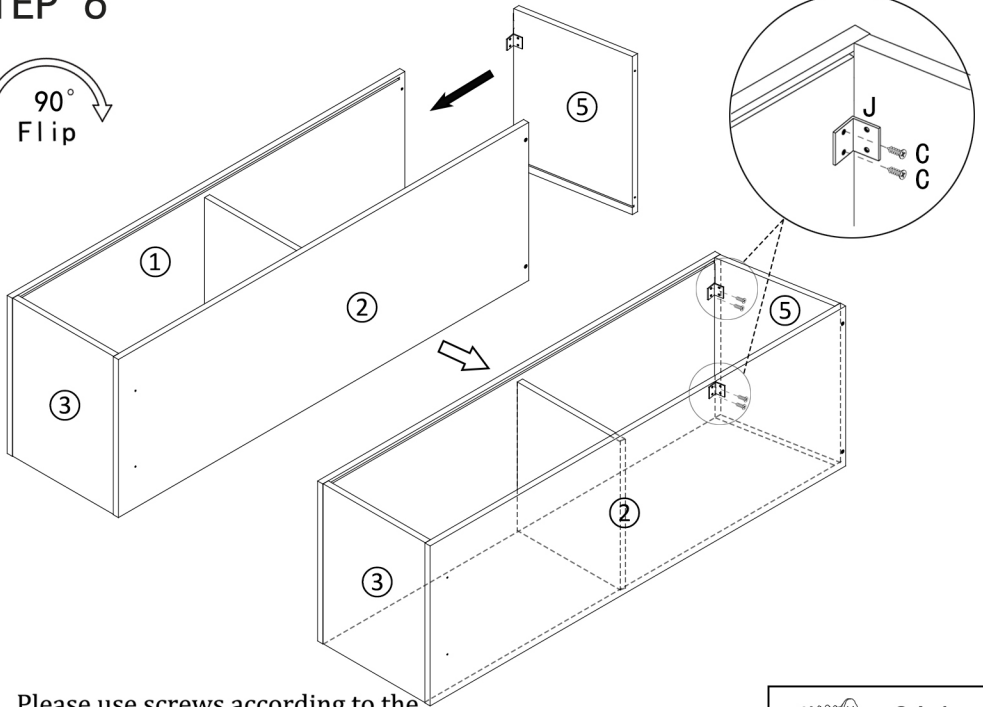
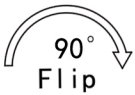
# STEP 5



⚠ Please use screws according to the specific size, do not confuse them.



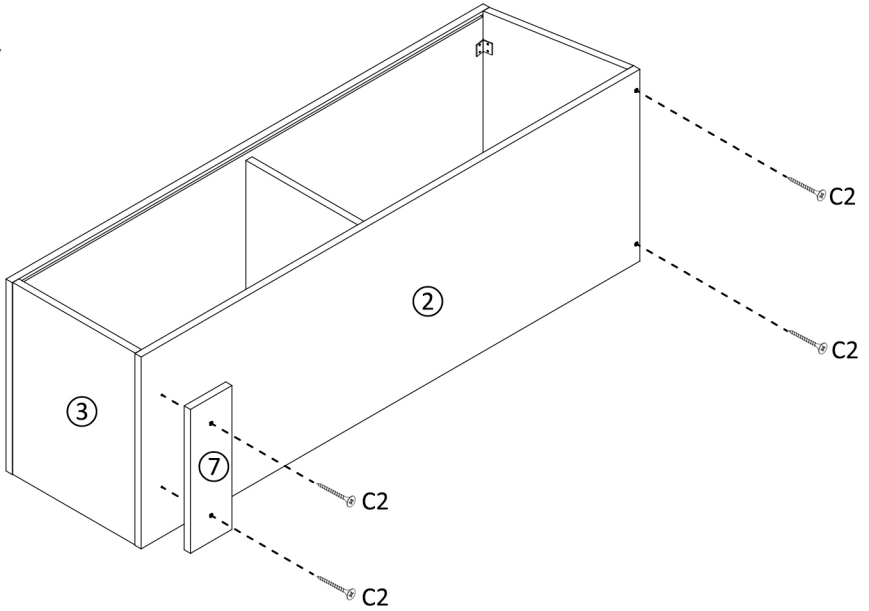
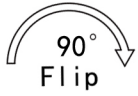
# STEP 6



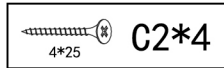
⚠ Please use screws according to the specific size, do not confuse them.



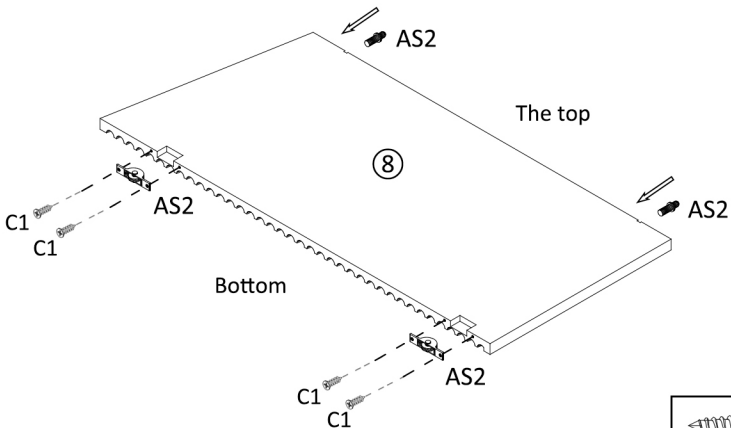
# STEP 7



⚠ Please use screws according to the specific size, do not confuse them.



# STEP 8

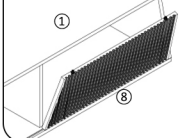


⚠ Please use screws according to the specific size, do not confuse them.

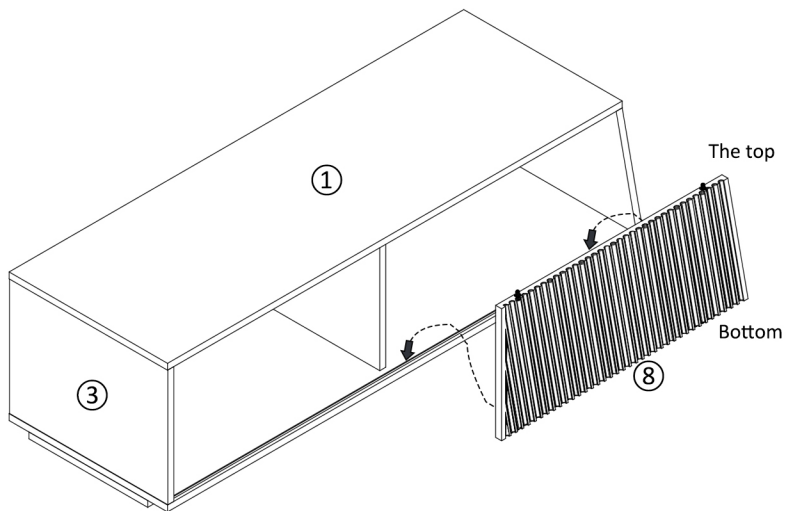
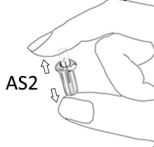


# STEP 9

1. Please put it in the bottom first.

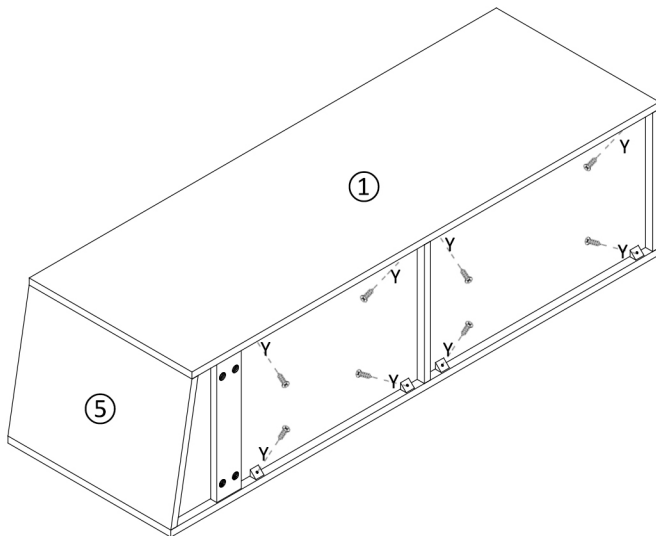
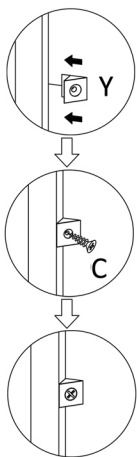


2. Press the AS2 accessories and put them into the top

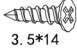



# STEP 10

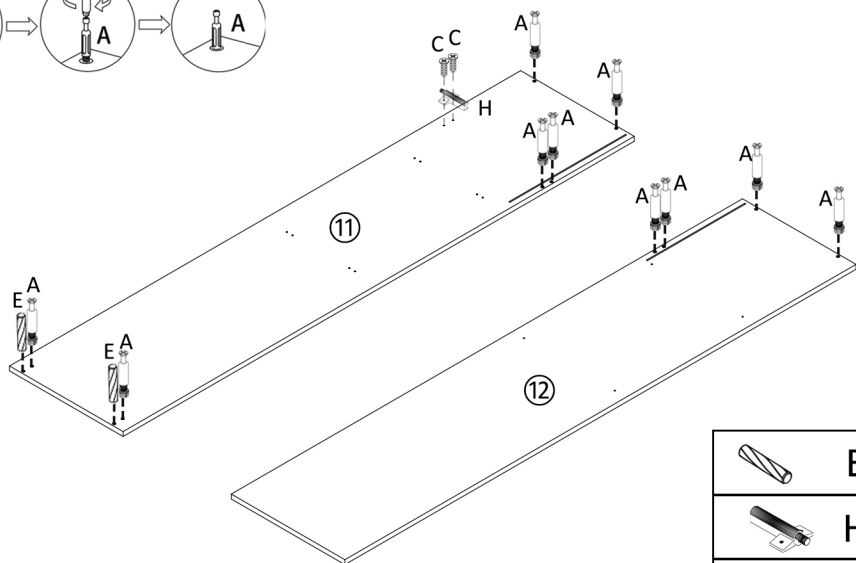
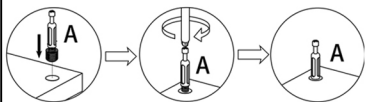
! Please use screws according to the specific size, do not confuse them.



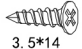



Use tools to install if necessary

 3.5*14	C*8
	Y*8

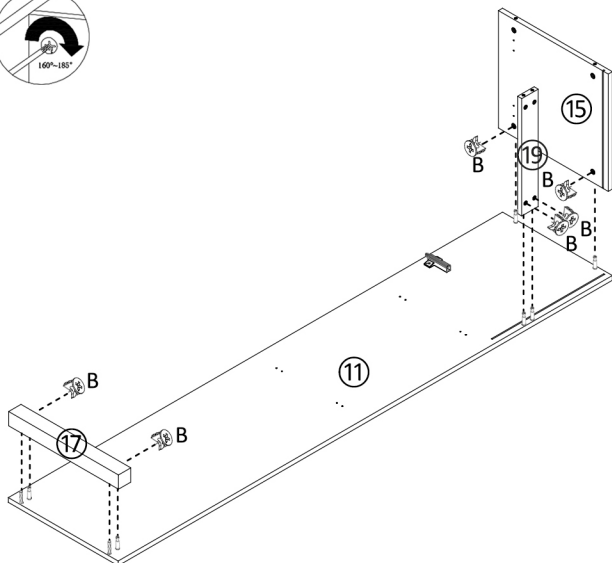
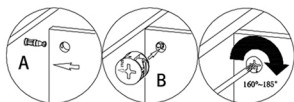
# STEP 11



	E*2
	H*1
 3.5*14	C*2
	A*10

⚠ Please use screws according to the specific size, do not confuse them.

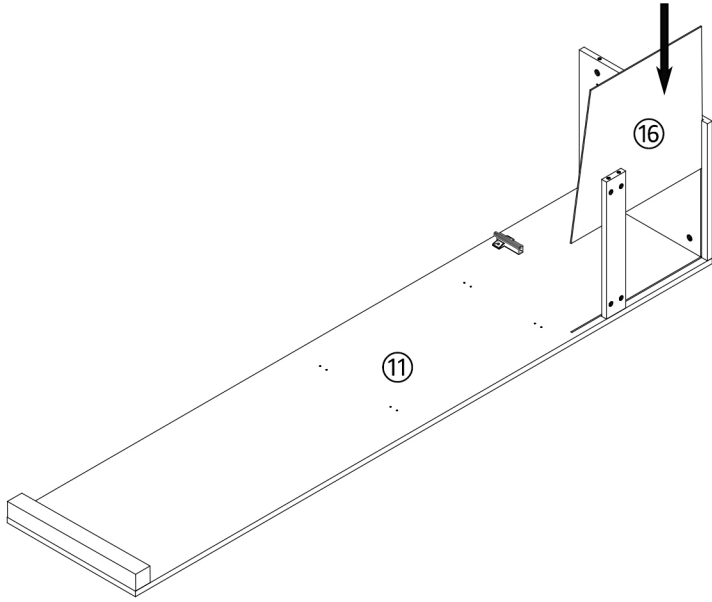
# STEP 12



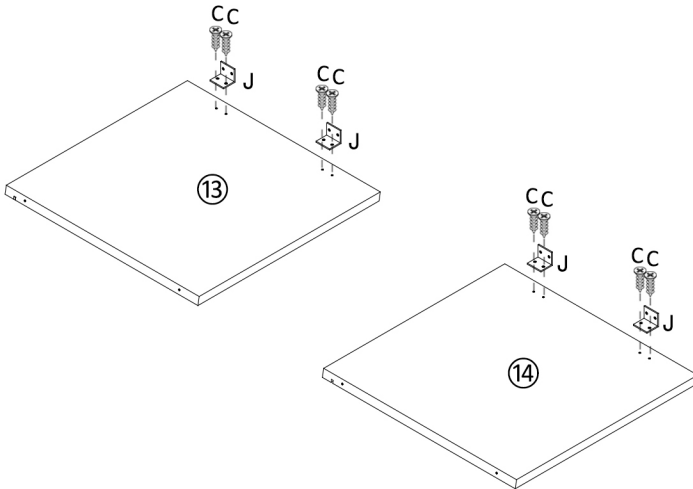
180°  
Flip

	B*6
---	-----

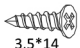

# STEP 13



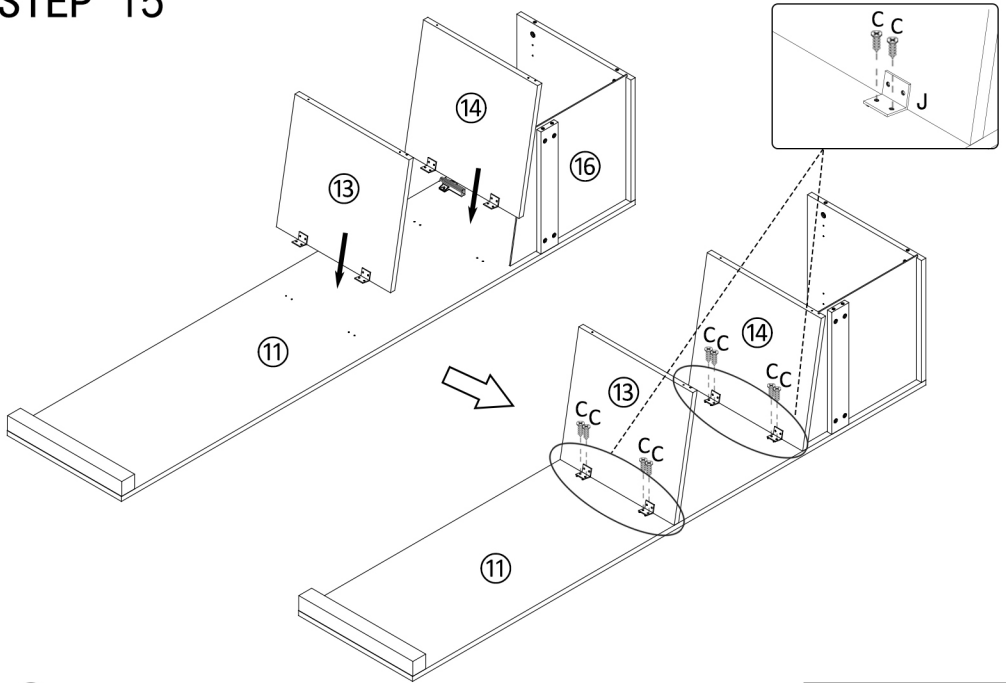
# STEP 14



⚠ Please use screws according to the specific size, do not confuse them.

 3.5*14	<b>C*8</b>
	<b>J*4</b>

# STEP 15

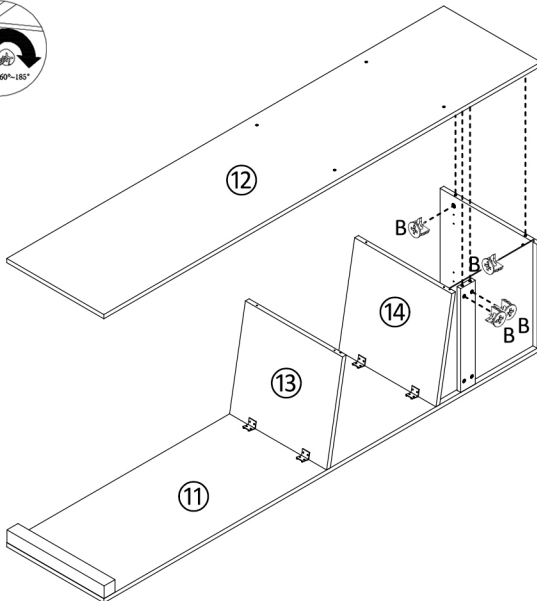
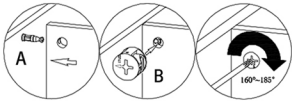


! Please use screws according to the specific size, do not confuse them.



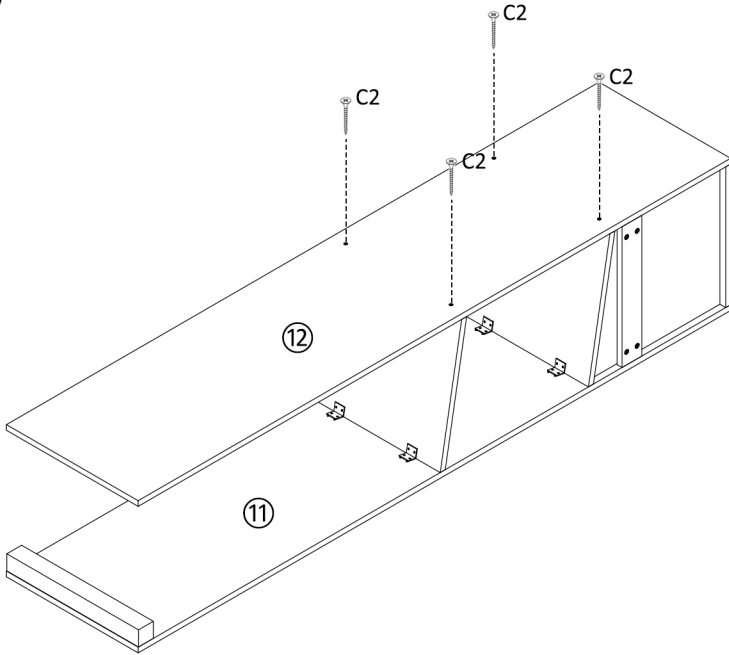
C\*8

# STEP 16



B\*4

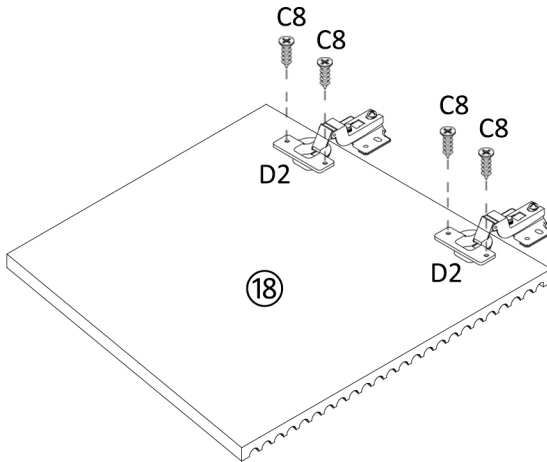
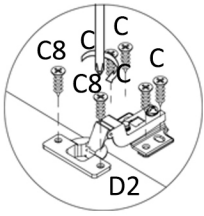
# STEP 17



⚠ Please use screws according to the specific size, do not confuse them.



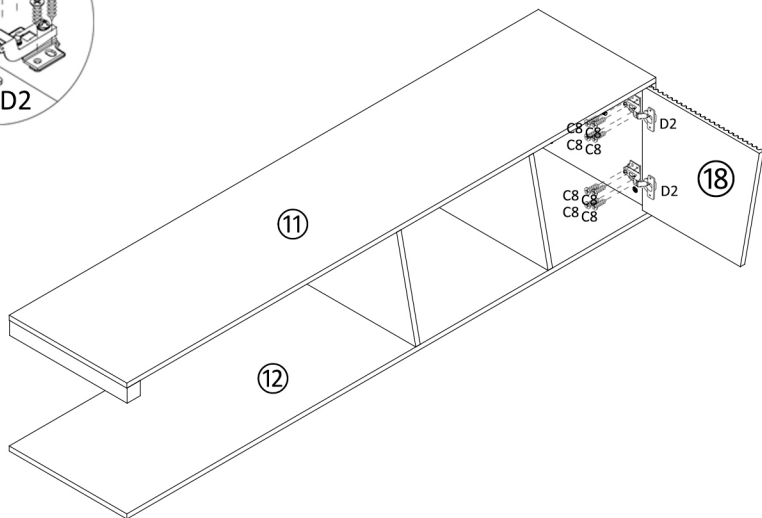
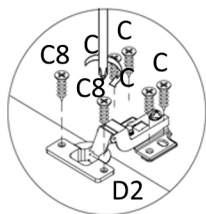
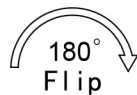
# STEP 18



⚠ Please use screws according to the specific size, do not confuse them.



# STEP 19

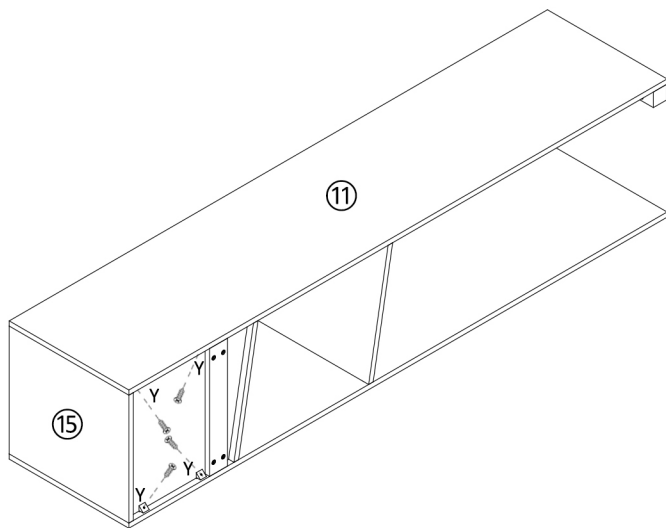
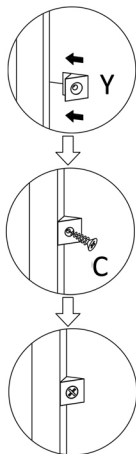


! Please use screws according to the specific size, do not confuse them.

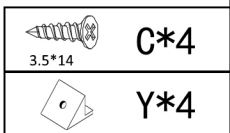


# STEP 20

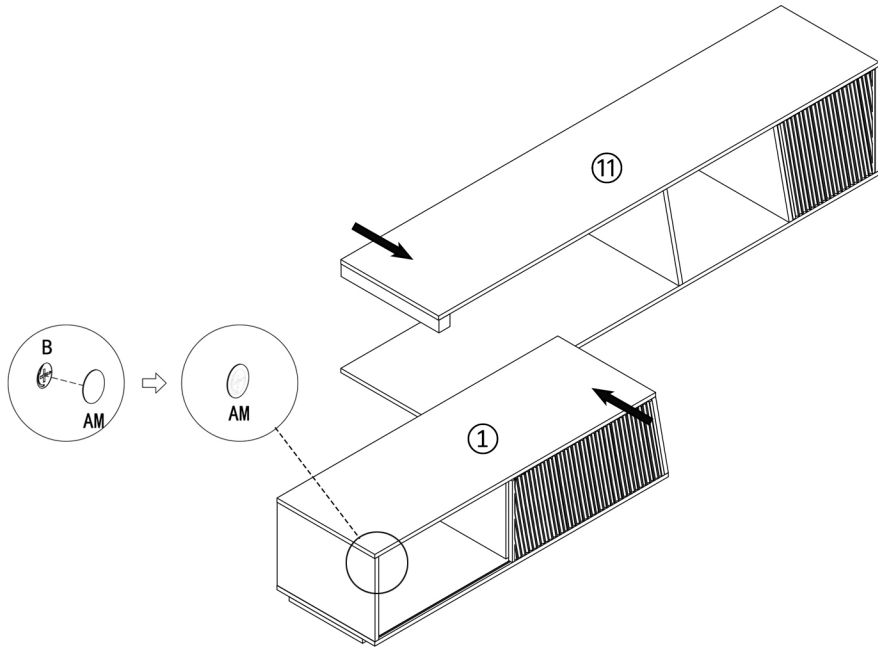
! Please use screws according to the specific size, do not confuse them.



Use tools to install if necessary



# STEP 21

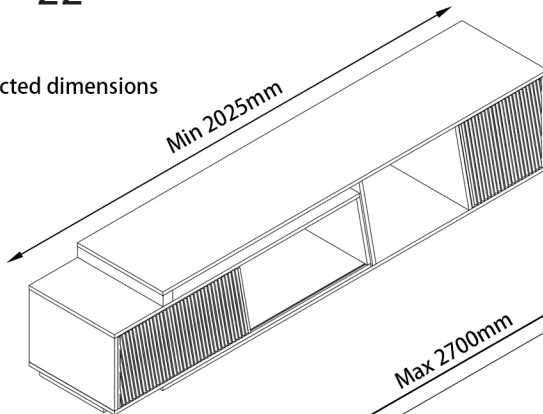


Please stick the decorative paper on the hole



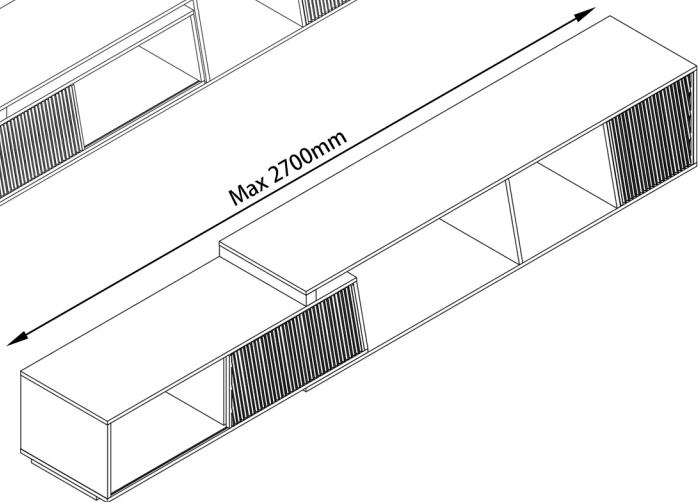
# STEP 22

1. Retracted dimensions



Min 2025mm

2. Extended dimensions



Max 2700mm