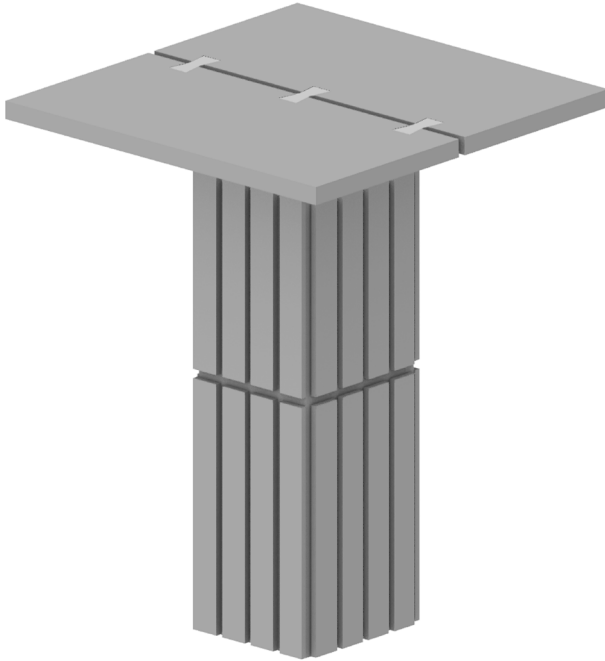


# Installation & Assembly



15 : 00

---

estimated assembly



1 or more

---

people required

Ok, let's  
get started!



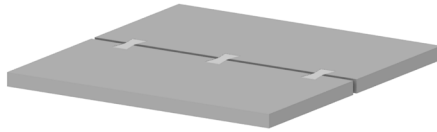
- Put on mood music!
- To prevent damage to product, use the clean side of package carton or rug as working surface.
- In the event of missing or damaged parts, delivery problems etc., please reach out to our team.  
We will be happy to fix the problem!

# care guide

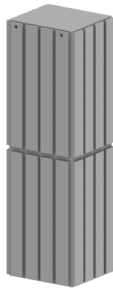
- Clean regularly with a soft and dry cloth.
- To protect finish, avoid use of abrasive cleaners.
- Wipe up spills immediately. Please!



# product parts



(A)  
Shelf



(B)  
Table legs

# what's included



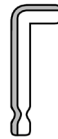
(C)- Bolt  
(6x35mm)  
x4



(D)- Washer  
(8.5mm)  
x4



(E)- Lock Washer  
(8.5mm)  
x4



(F)- Allen Key  
x1

RS

Red sticker

YS

Yellow sticker

## assembly instructions

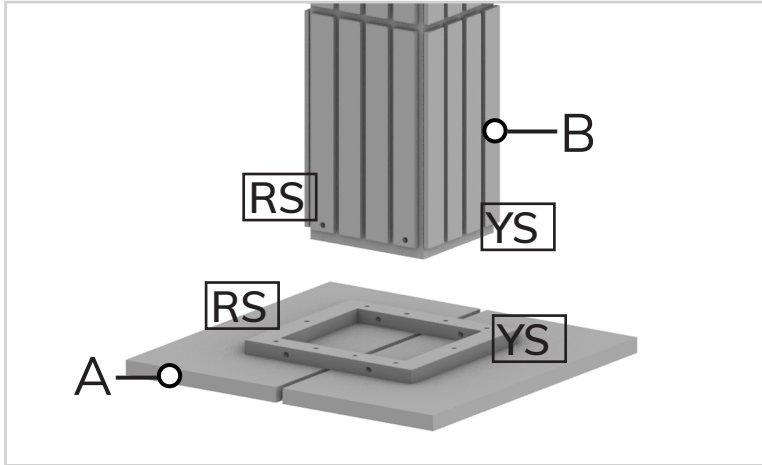
Friendly Tip: Take a deep breath going in. This may be a tricky part, but nothing too overwhelming. Just follow these steps to the T and the outcome will be worth it!



- ⓘ While assembling the product, tighten the bolts up to 50%. Once all parts are in place, only then fully tighten the bolts.

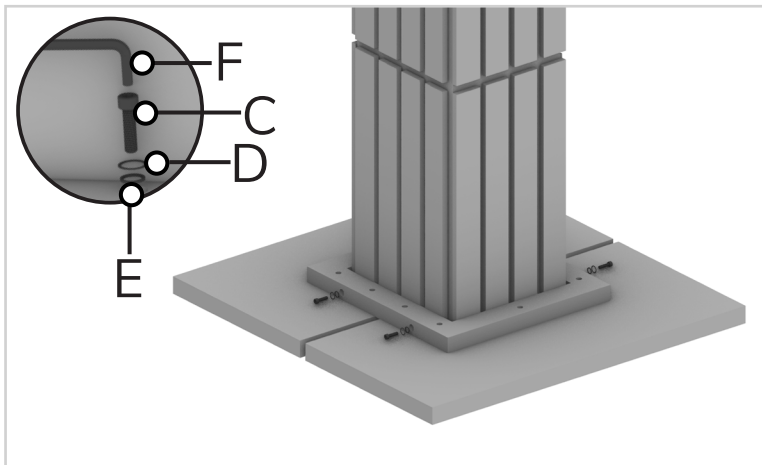
## step 1:

Turn the tabletop (A) upside down on a flat, smooth surface. Place the leg (B) over the table top (A) & align the slots on (A) with the ones on (B). Ensure that the stickers on (A) match their counterparts on (B).



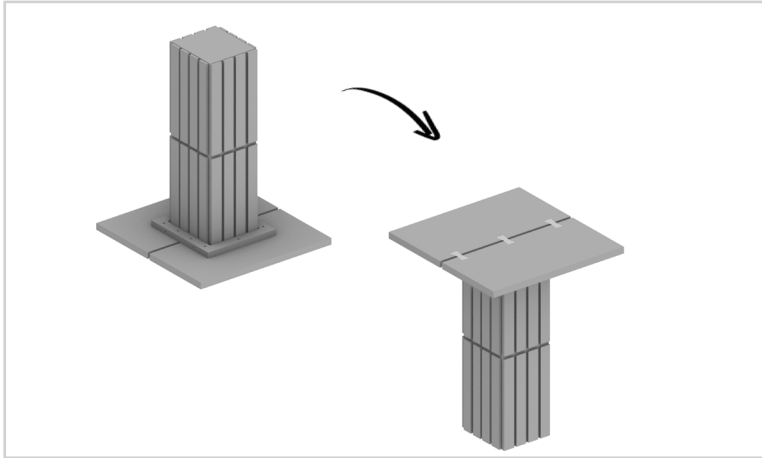
## step 2:

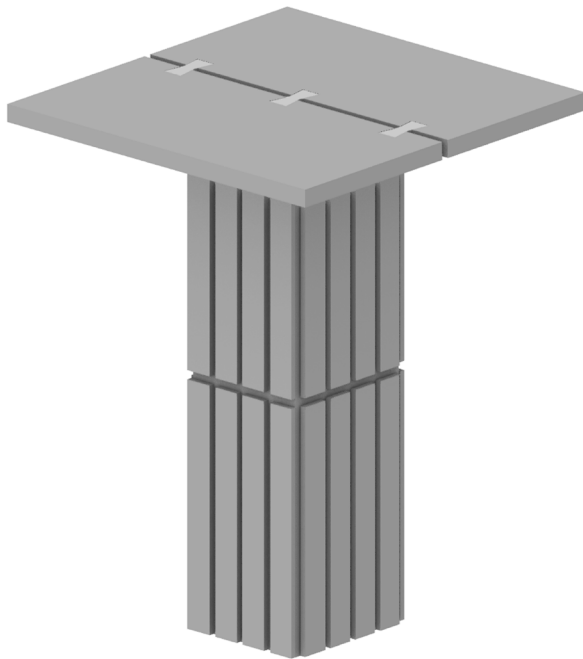
Start by attaching the table leg (B) to the tabletop (A). Fix the leg in place using washer (D), lock washer (E) and bolts (C). Tighten all points using allen-key (F). Use the image below as reference



step 3:

Now, turn the table upright.





---

**Voila! Your table is now assembled and secure!**