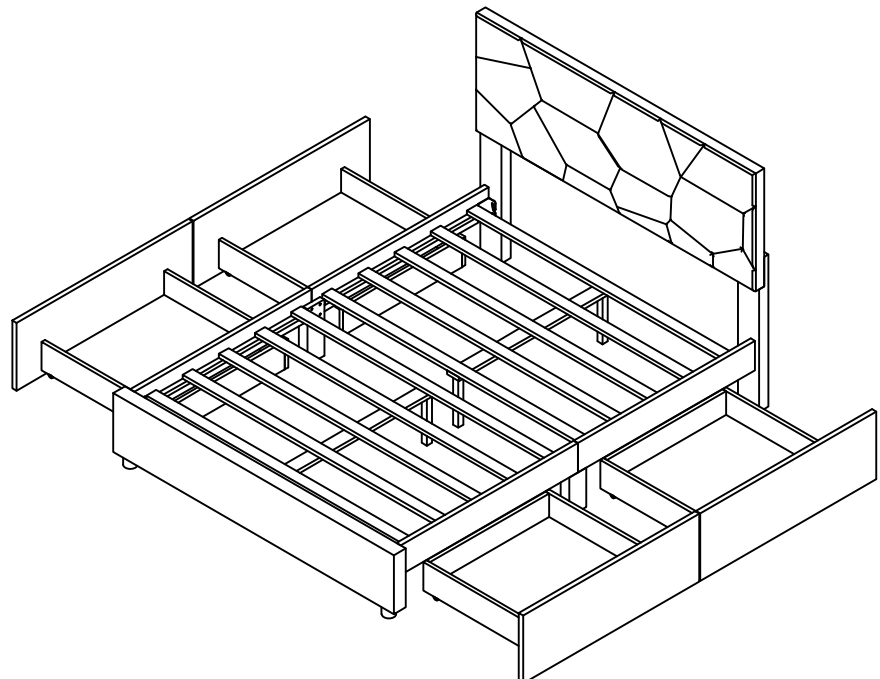
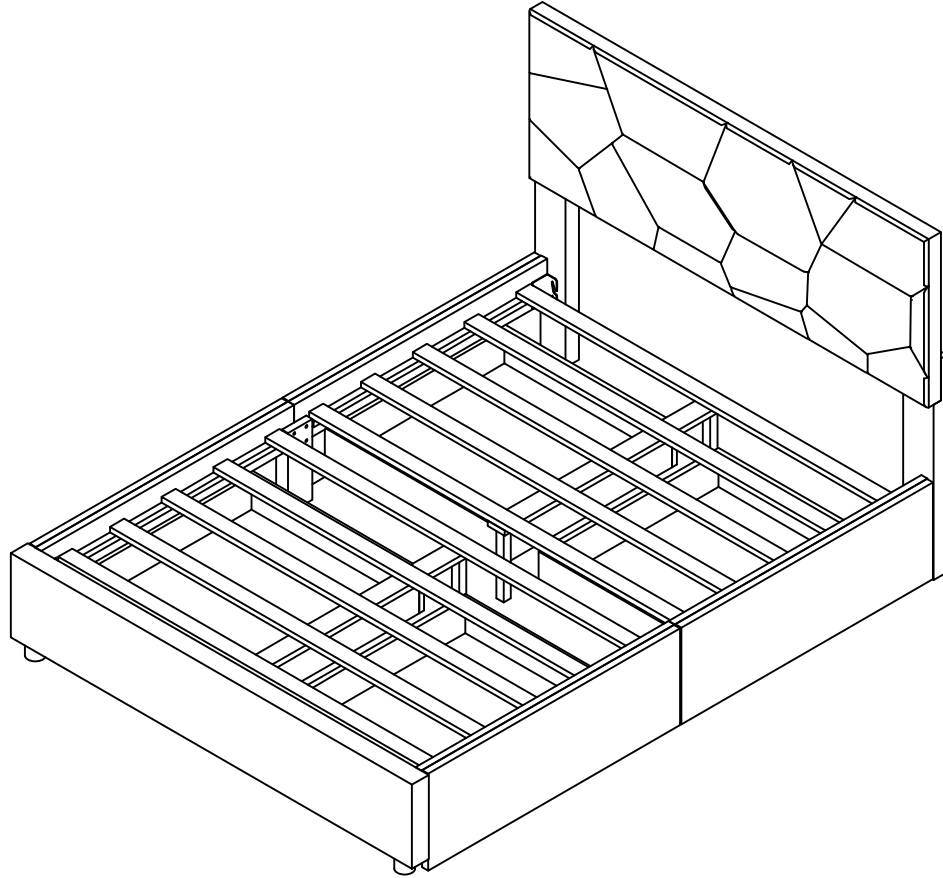
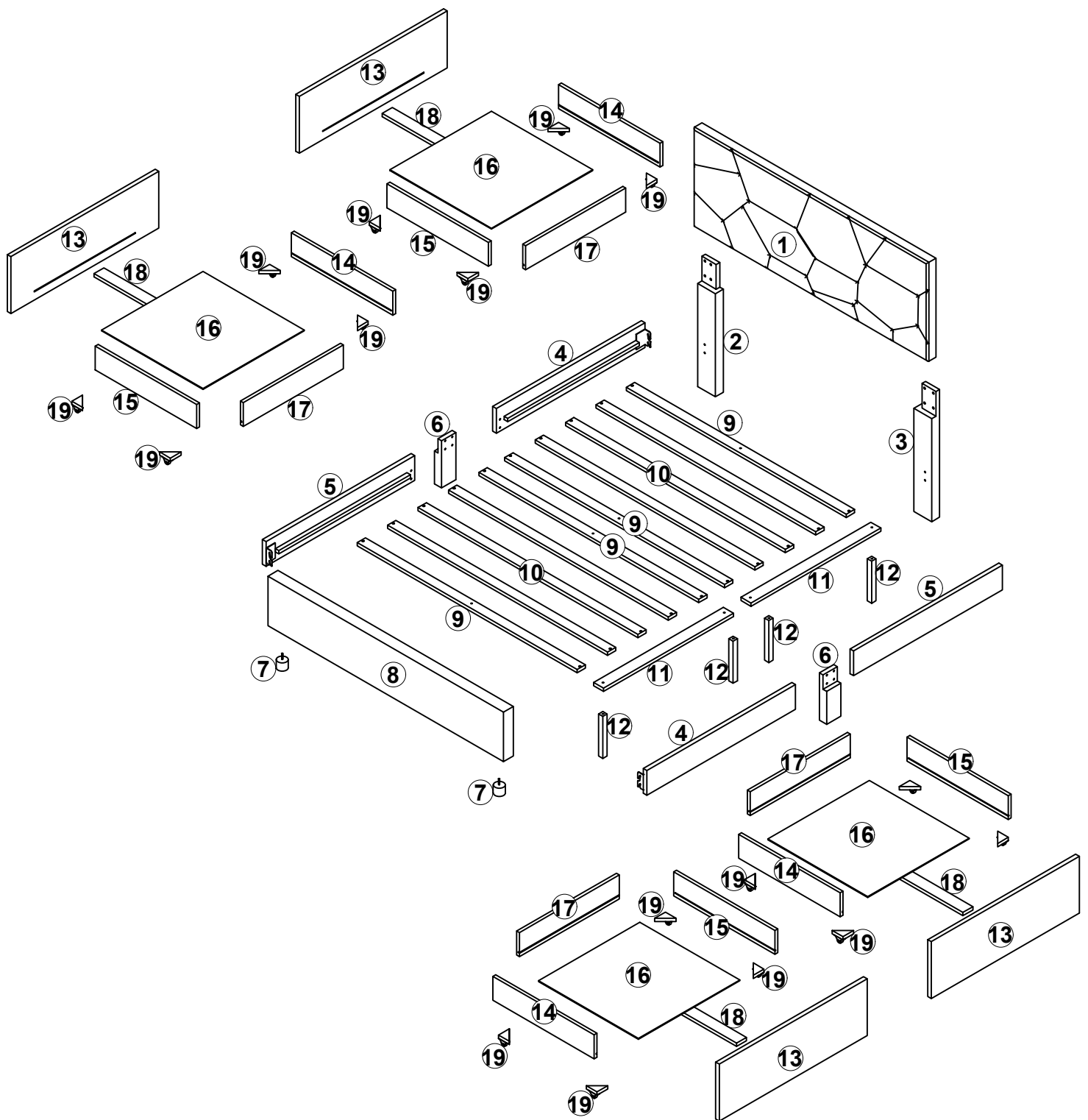


ASSEMBLY INSTRUCTION

SKU CODE: WF302140 / WF302141

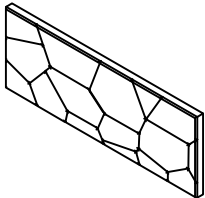
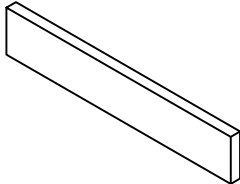
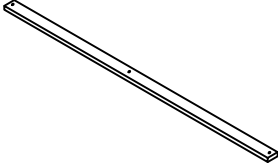
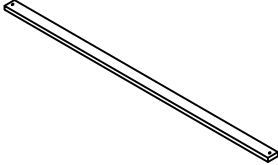
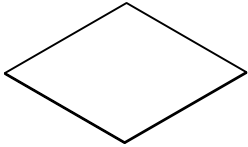
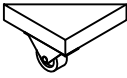


Detail View - QUEEN BED WITH 4 DRAWERS



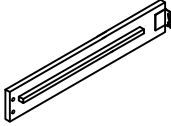
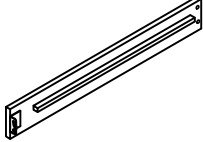


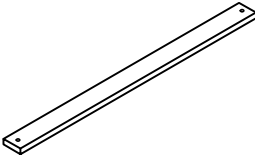

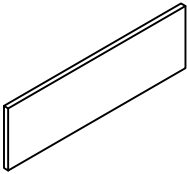
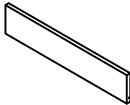





Identifying the Hardware - Identify the hardware using the illustrations below.

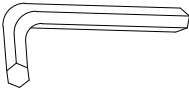
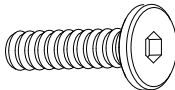
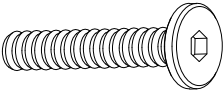


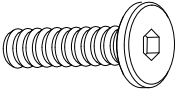
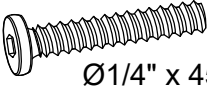

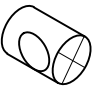



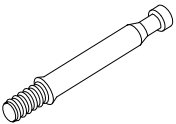

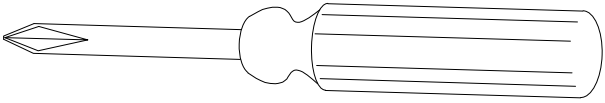
Part Lists: **WF302140**

<p>1</p>  <p>Headboard-1pc</p>	<p>8</p>  <p>Footboard - 1pc</p>
<p>9</p>  <p>Bed slat 1 - 4pcs</p>	<p>10</p>  <p>Bed slat 2 -6pcs</p>
<p>16</p>  <p>Drawer bottom -4pcs</p>	<p>19</p>  <p>Corner block -16pcs</p>

Part Lists: **WF302141**

<p>2</p>  <p>Headboard left leg -1pc</p>	<p>3</p>  <p>Headboard right leg-1pc</p>
<p>4</p>  <p>Side rail 1 - 2pcs</p>	<p>5</p>  <p>Side rail 2 - 2pcs</p>
<p>6</p>  <p>Side rail support leg - 2pcs</p>	<p>7</p>  <p>Footboard leg -2pcs</p>
<p>11</p>  <p>Center support bar -2pcs</p>	<p>12</p>  <p>Center support leg - 4pcs</p>
<p>13</p>  <p>Drawer front -4pcs</p>	<p>14</p>  <p>Drawer side left -4pcs</p>
<p>15</p>  <p>Drawer side right -4pcs</p>	<p>17</p>  <p>Drawer back -4pcs</p>
<p>18</p>  <p>Drawer bottom support bar -4pcs</p>	

HARDWARE LISTS: WF302141

<p>A</p>  <p>4mm Allen key (1pc)</p>	<p>B</p>  <p>Ø5/16" x 20mm Hex-head bolt (8pcs)</p>
<p>C</p>  <p>Ø5/16" x 40mm Hex-head bolt (4pcs)</p>	<p>D</p>  <p>Ø5/16" Spring washer (12pcs)</p>
<p>E</p>  <p>Ø5/16" Flat washer(12pcs)</p>	<p>F</p>  <p>Ø1/4" x 40mm Hex-head bolt (4pcs)</p>
<p>G</p>  <p>Ø1/4" x 45mm Hex-head bolt (4pcs)</p>	<p>H</p>  <p>Ø1/4" x 50mm Hex-head bolt (16pcs)</p>
<p>I</p>  <p>Ø1/4" Barrel nut (16pcs)</p>	<p>J</p>  <p>Ø1/4" Spring washer (8pcs)</p>
<p>K</p>  <p>Ø1/4" Flat washer(8pcs)</p>	<p>L</p>  <p>Ø4 x 30mm Wood screw (68pcs)</p>
<p>M</p>  <p>Cam bolt (16pcs)</p>	<p>N</p>  <p>Cam lock(16pcs)</p>
 <p>ASSEMBLY TOOLS REQUIRED (NOT INCLUDED)</p>	



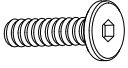
Read this instruction carefully. See hardware and furniture part list for guidance. Be sure all parts are complete, before you assemble. Place all wooden furniture parts on a clean and flat soft surface to prevent from being scratched. Follow the figure to start assembling.

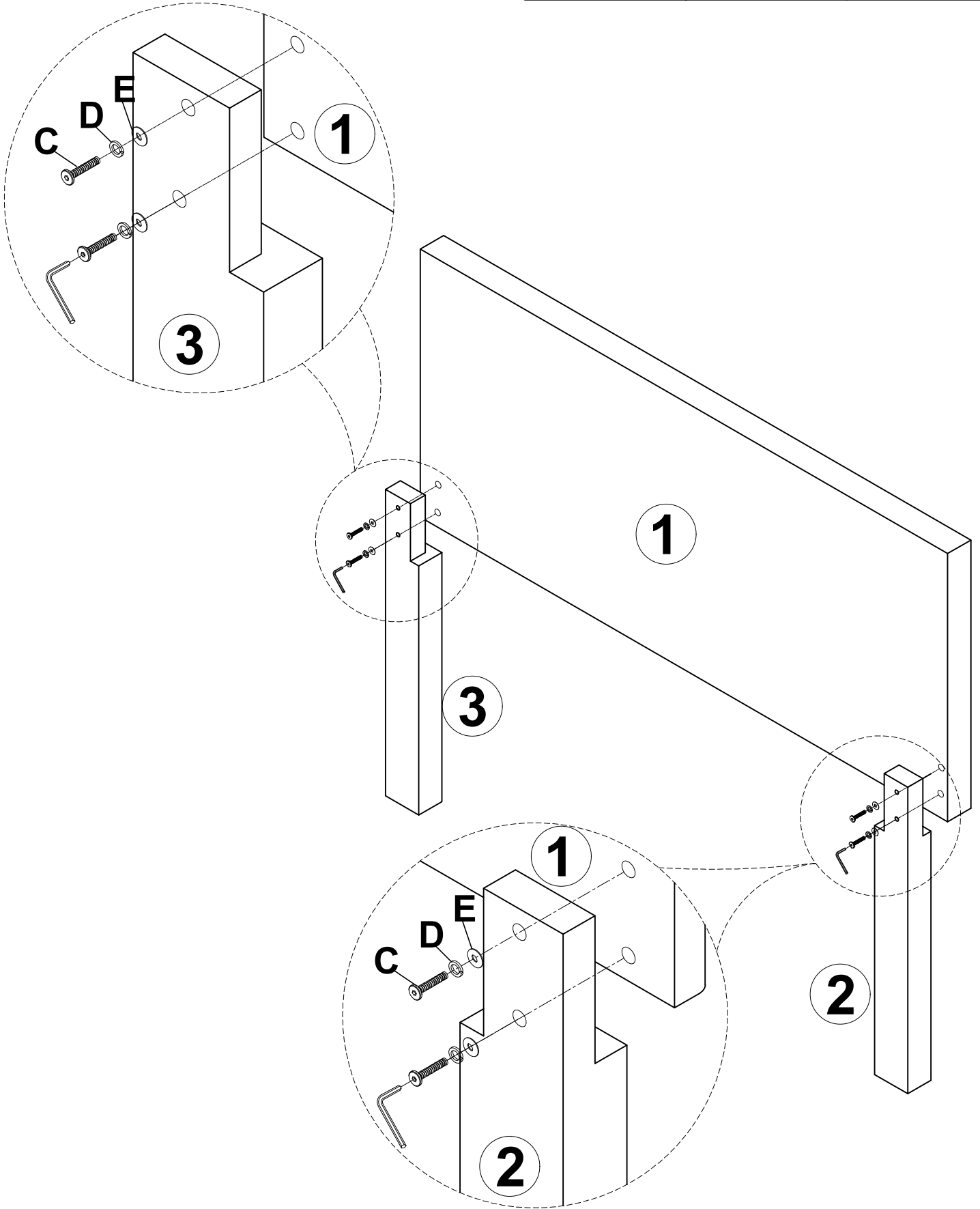
CAUTIONS :

1. Do not FULLY - TIGHTEN the nut or nut bolt until all nut or bolt is ready assembled.
2. Do not OVER - TIGHTEN the nut or bolt to avoid causing damages to the thread.
3. Keep all hardware parts out of reach of children.

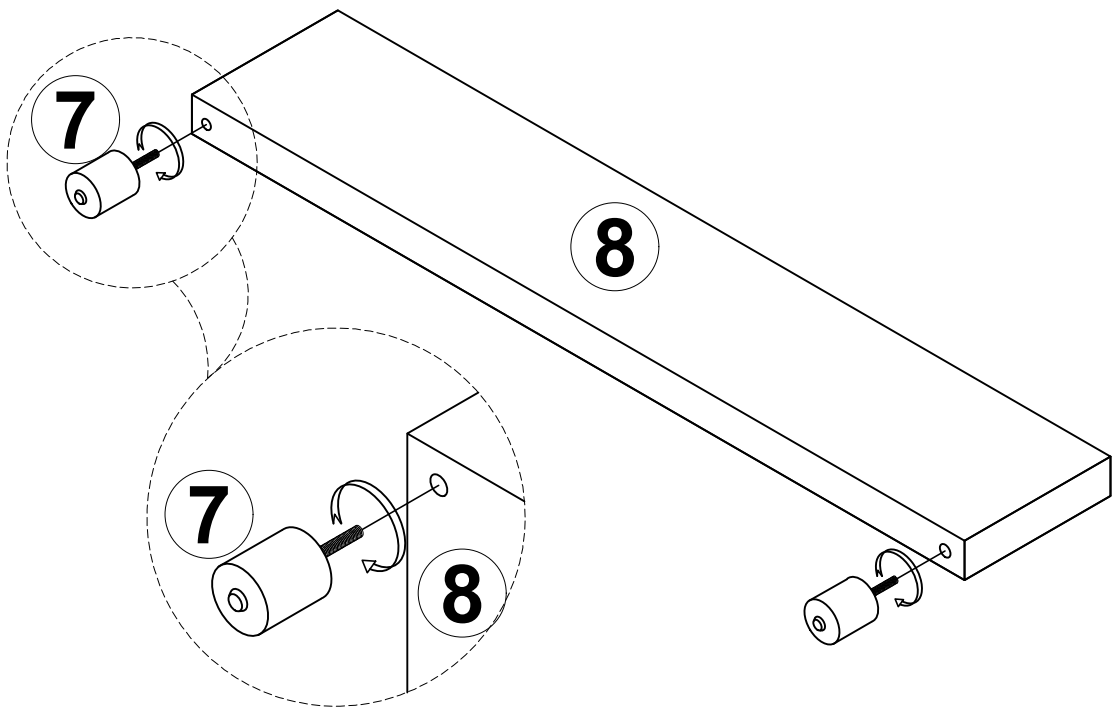
NOTE : THE LIST AND QUANTITY SHOWN ARE FOR 1 UNIT ASSEMBLY.

STEP 1



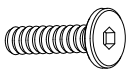
E 	D 	C 
4PCS	4PCS	4PCS

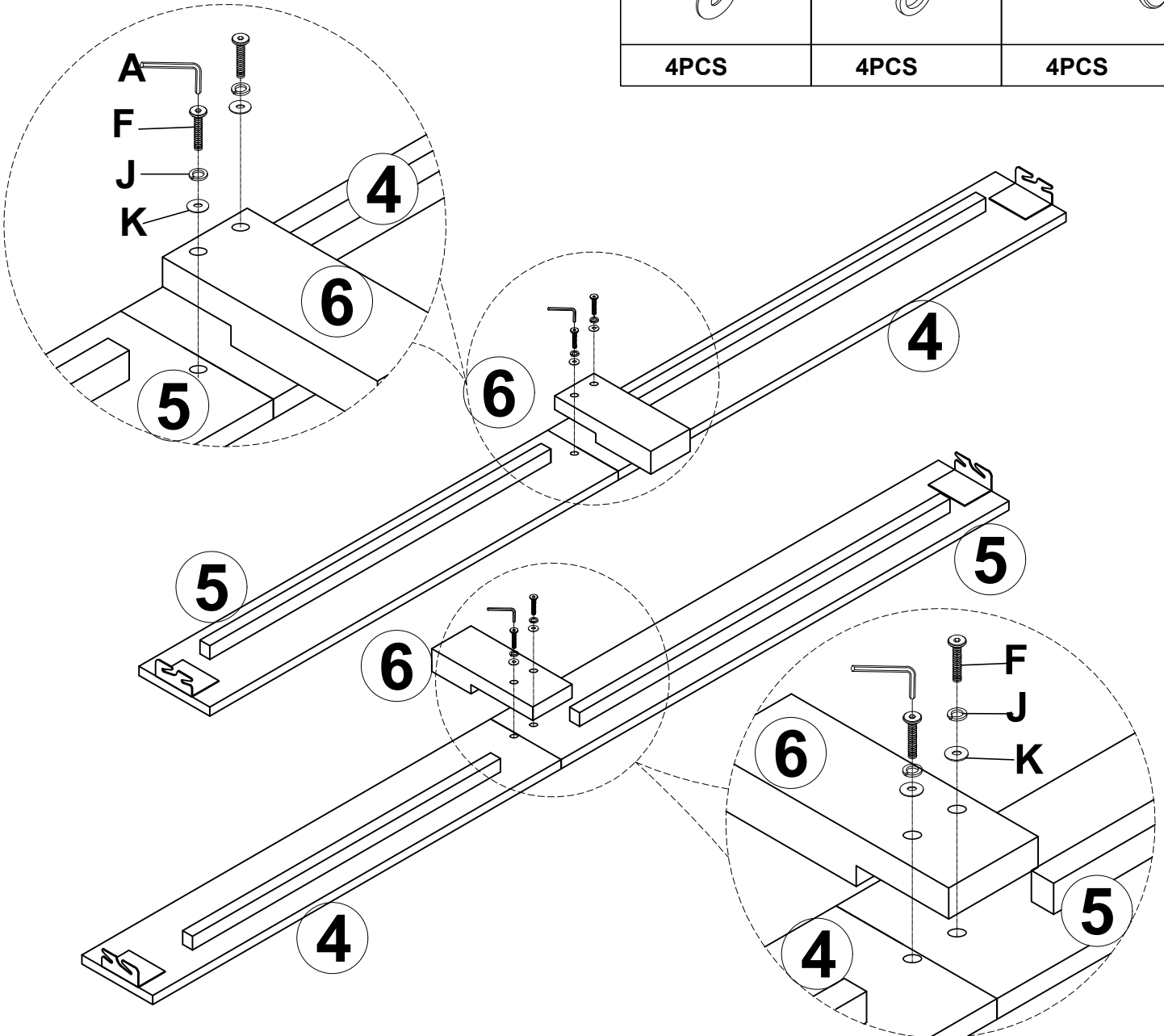


STEP 2



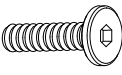


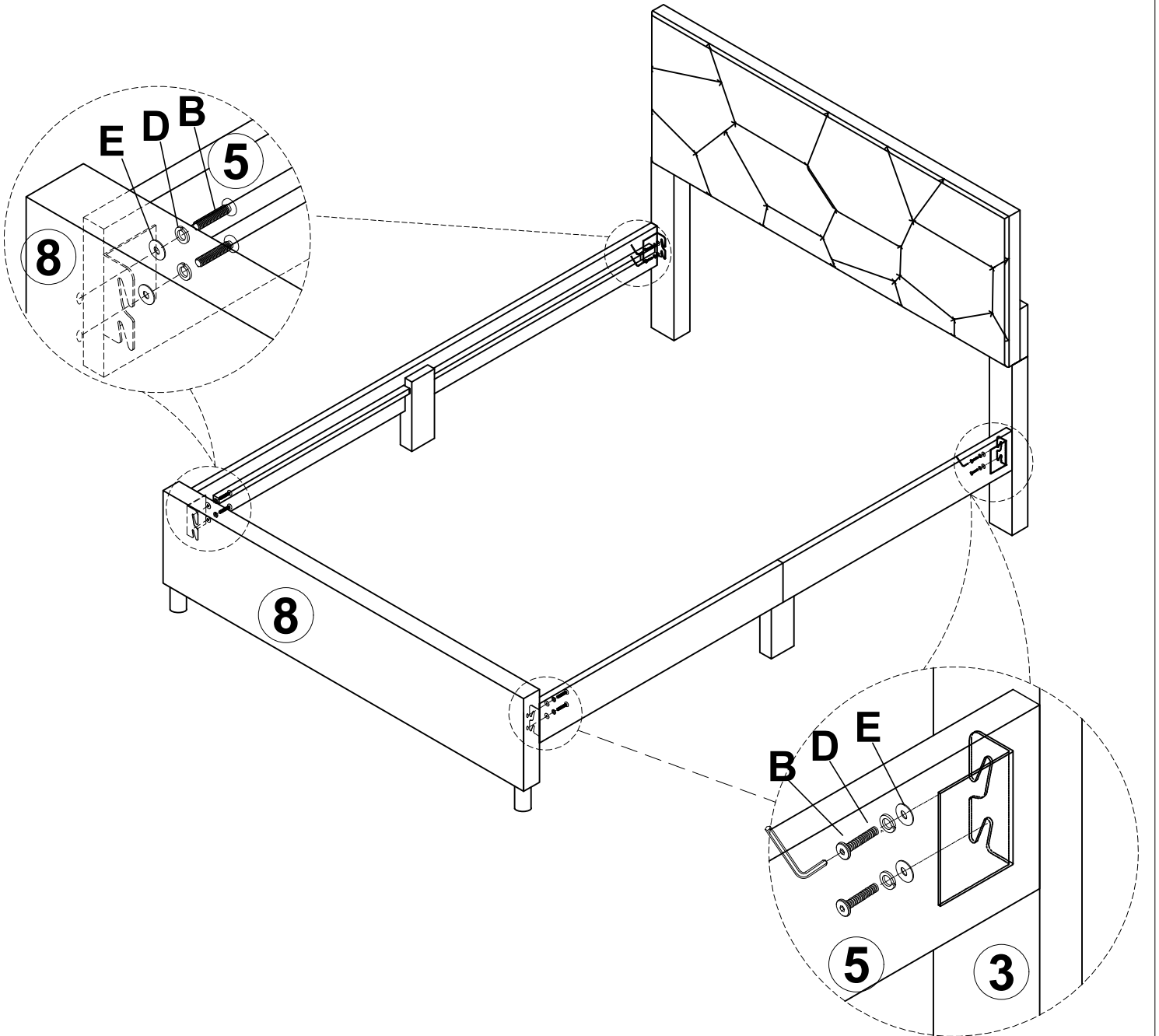
STEP 3

K		J		F	
4PCS		4PCS		4PCS	



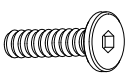


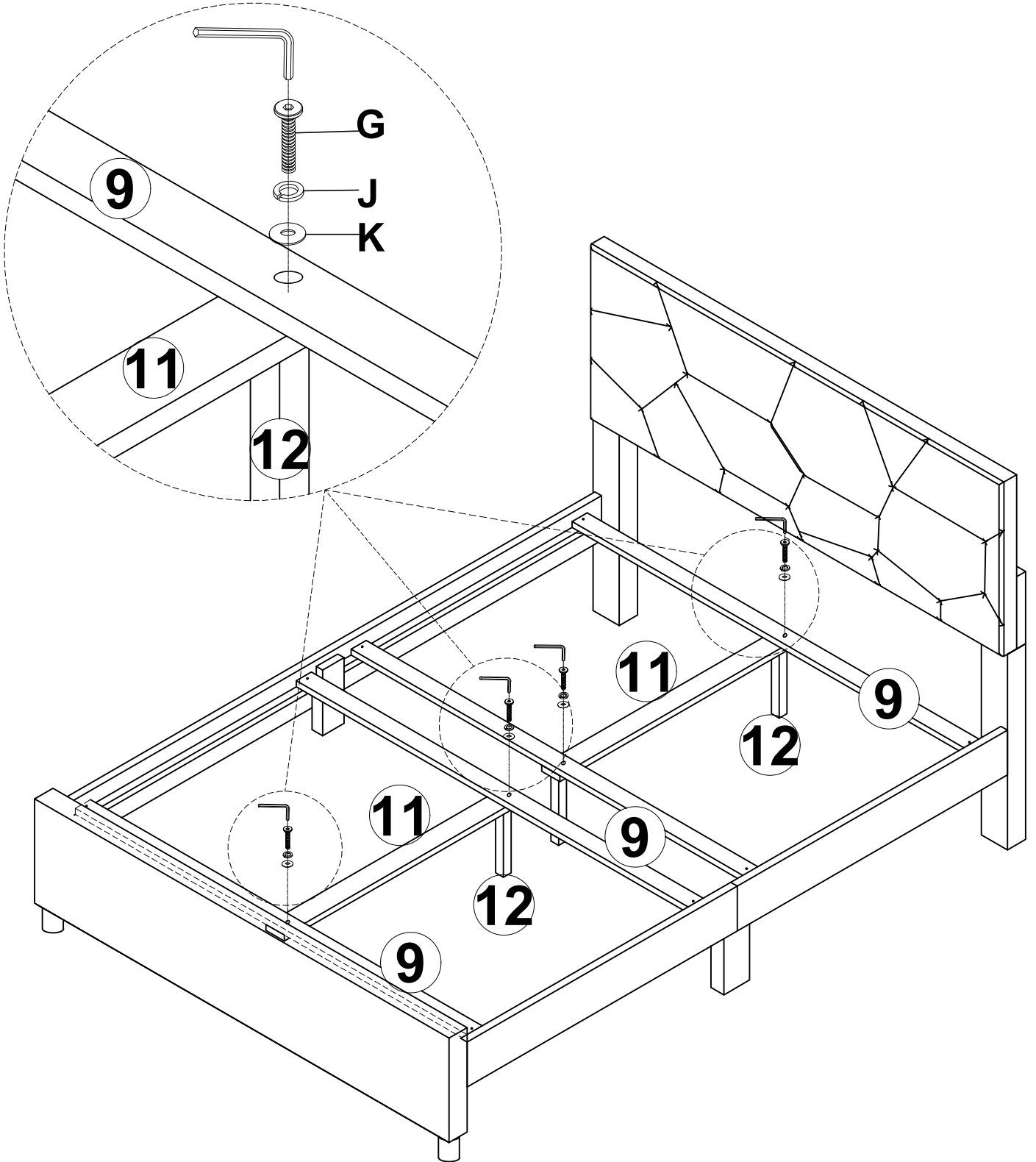
STEP 4

E 	D 	B 
8PCS	8PCS	8PCS



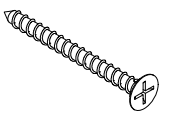
STEP 5

K 	J 	G 
4PCS	4PCS	4PCS

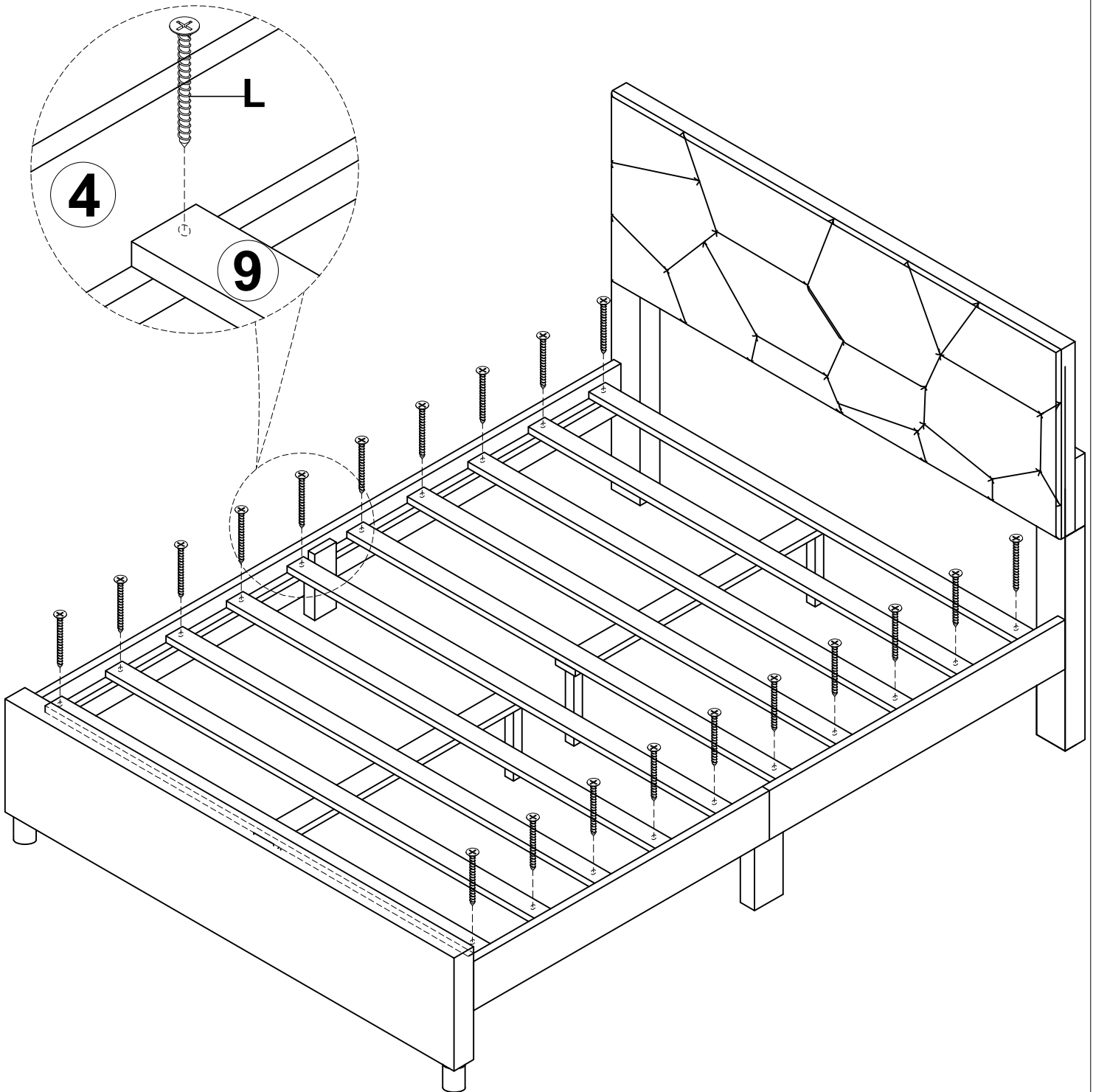


STEP 6

L

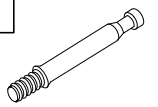


20PCS

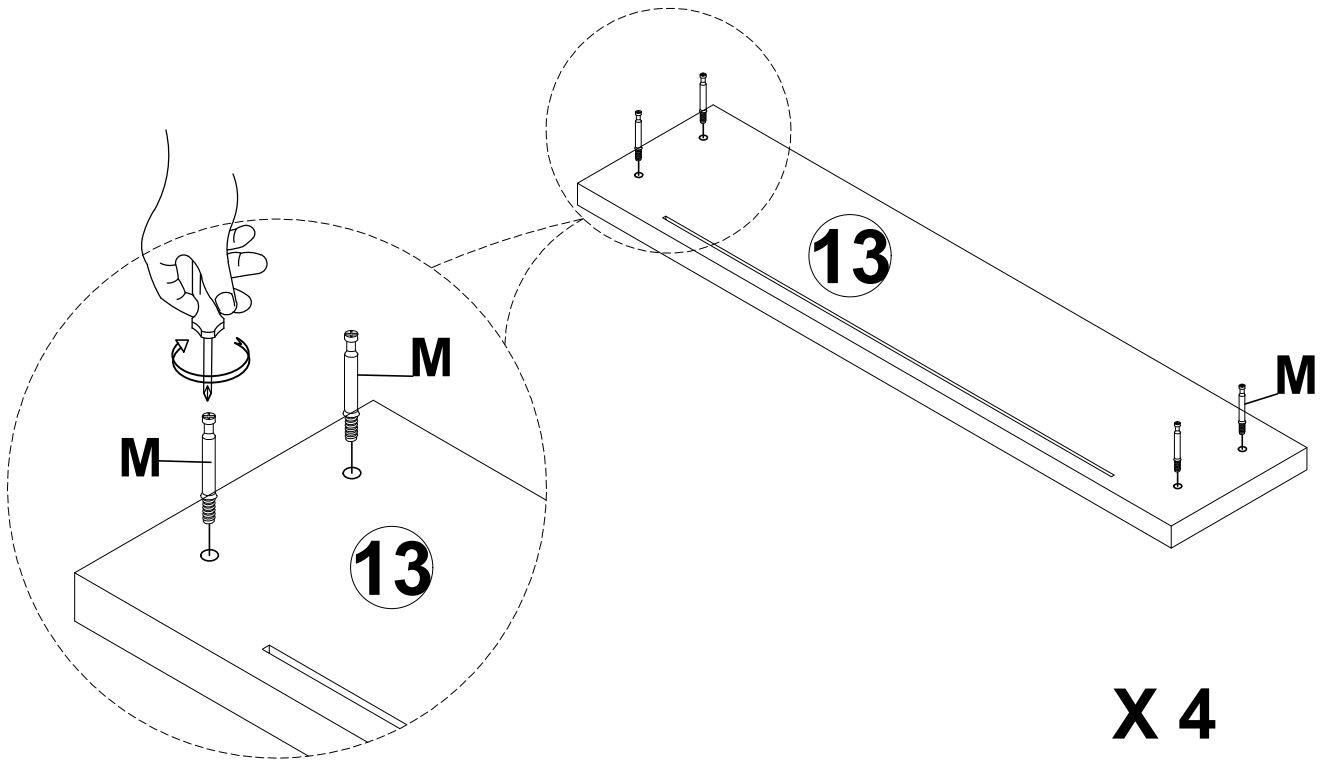


STEP 7

M

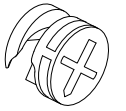


16PCS

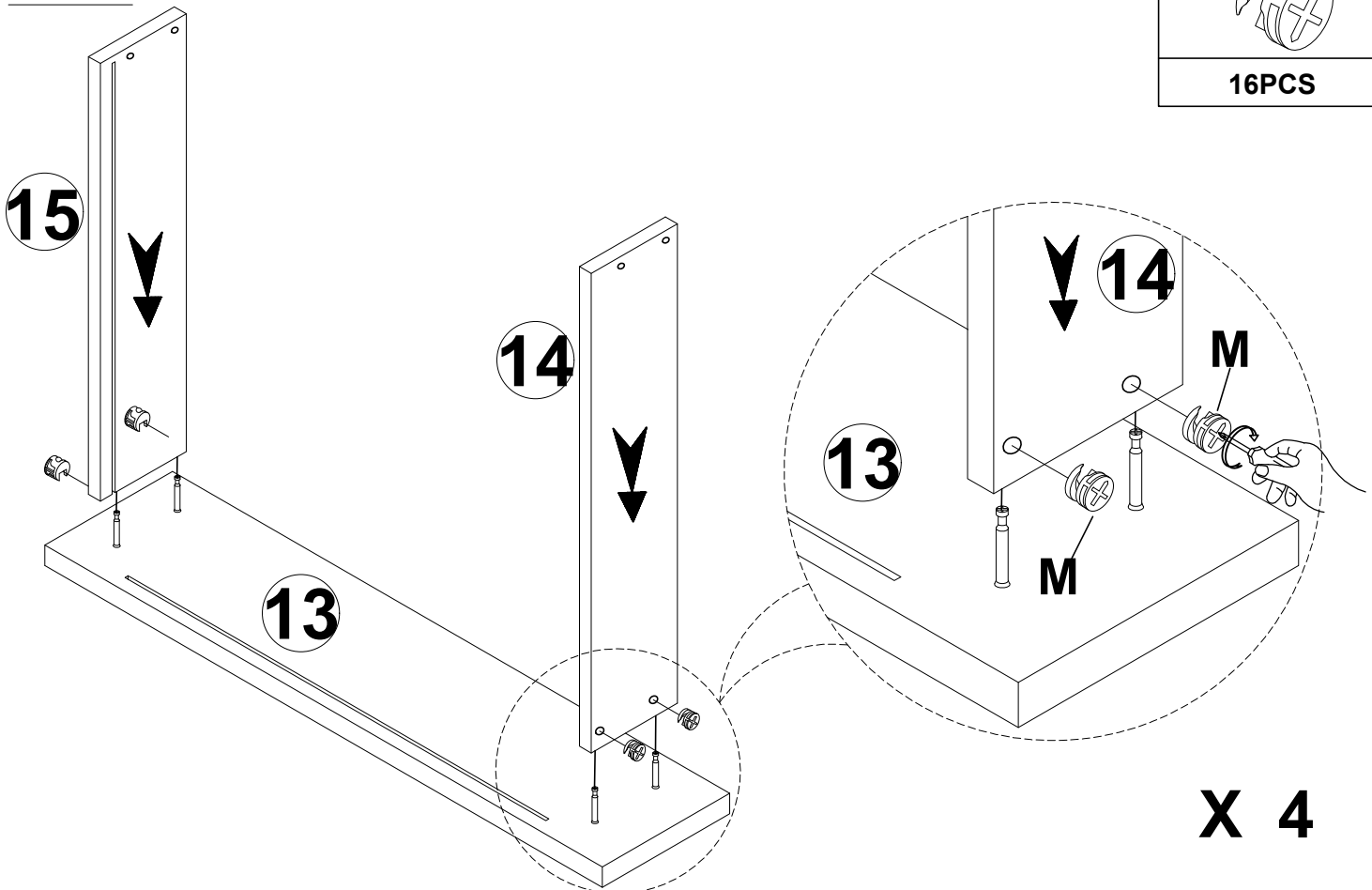


STEP 8

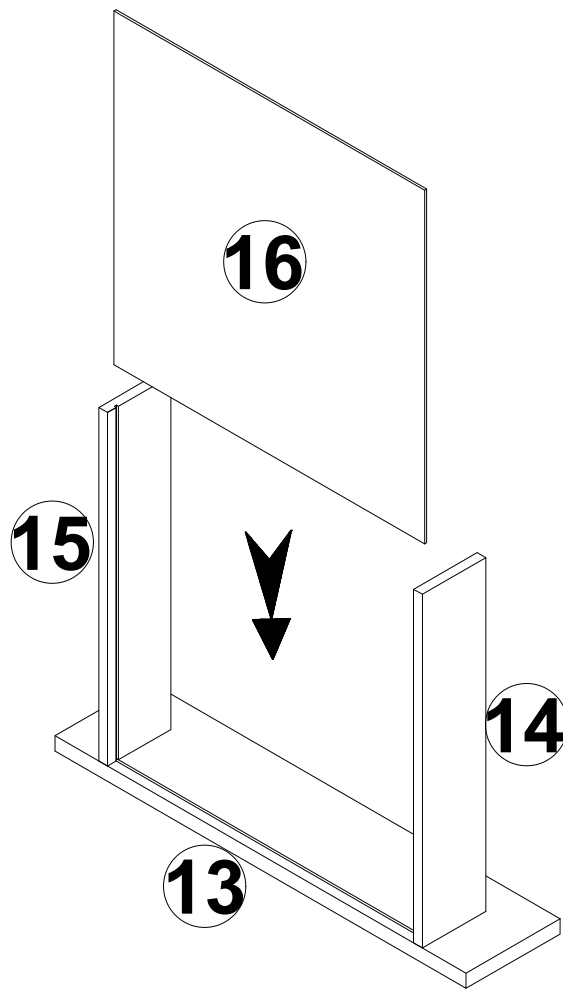
N



16PCS


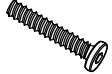


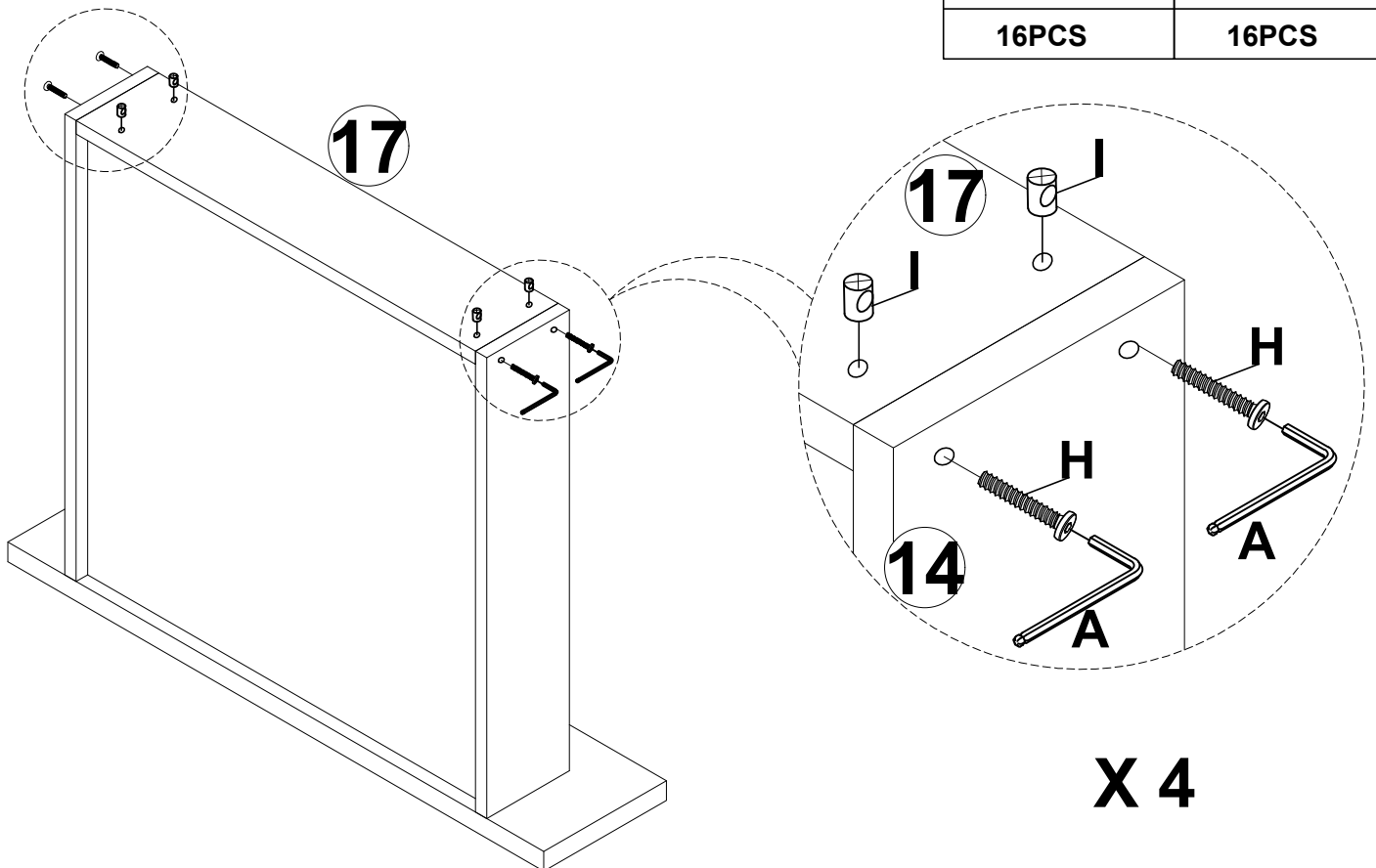
STEP 9



X 4

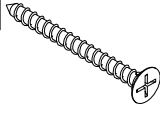
STEP 10

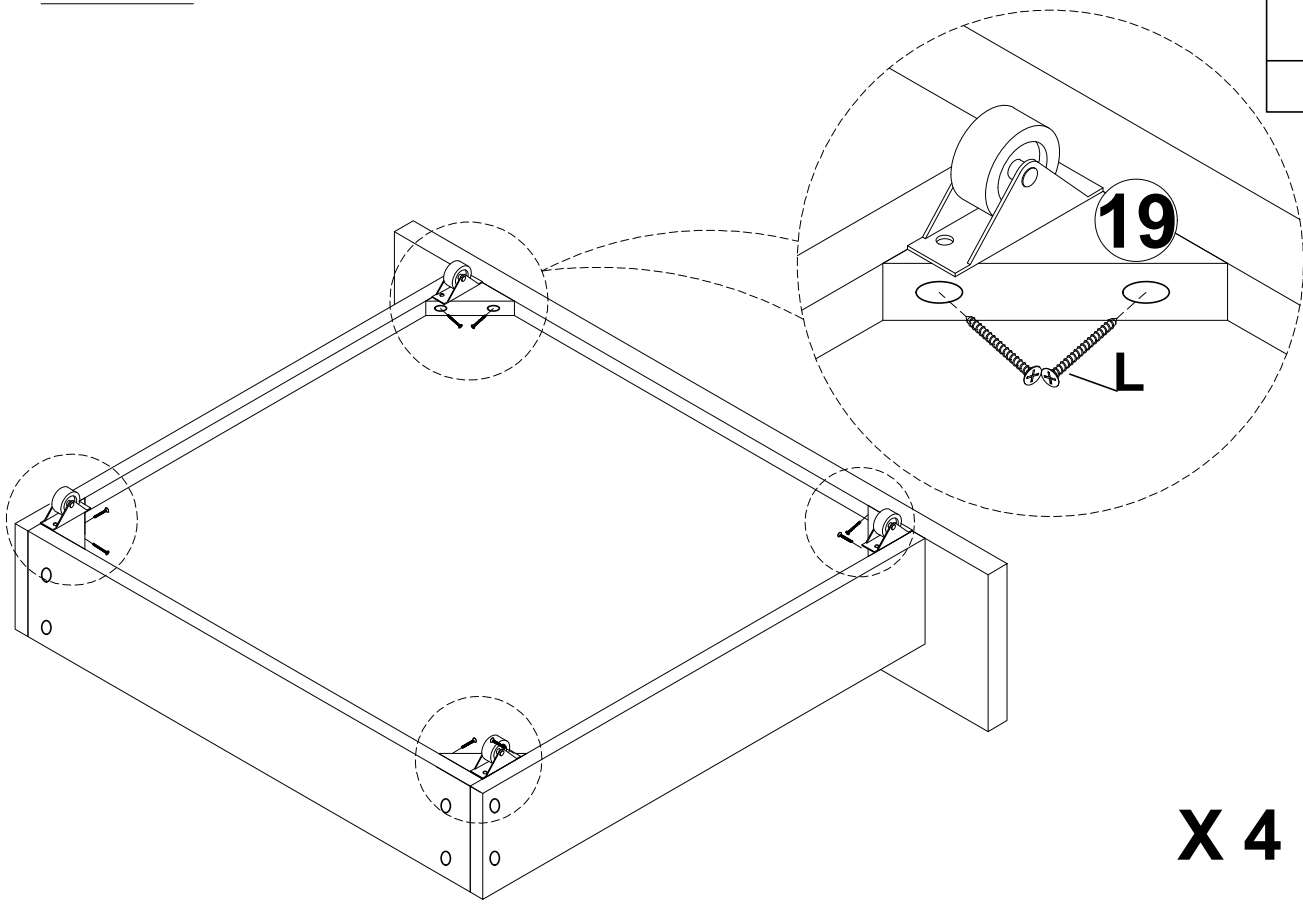
I		H	
16PCS		16PCS	



X 4

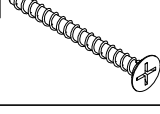
STEP 11

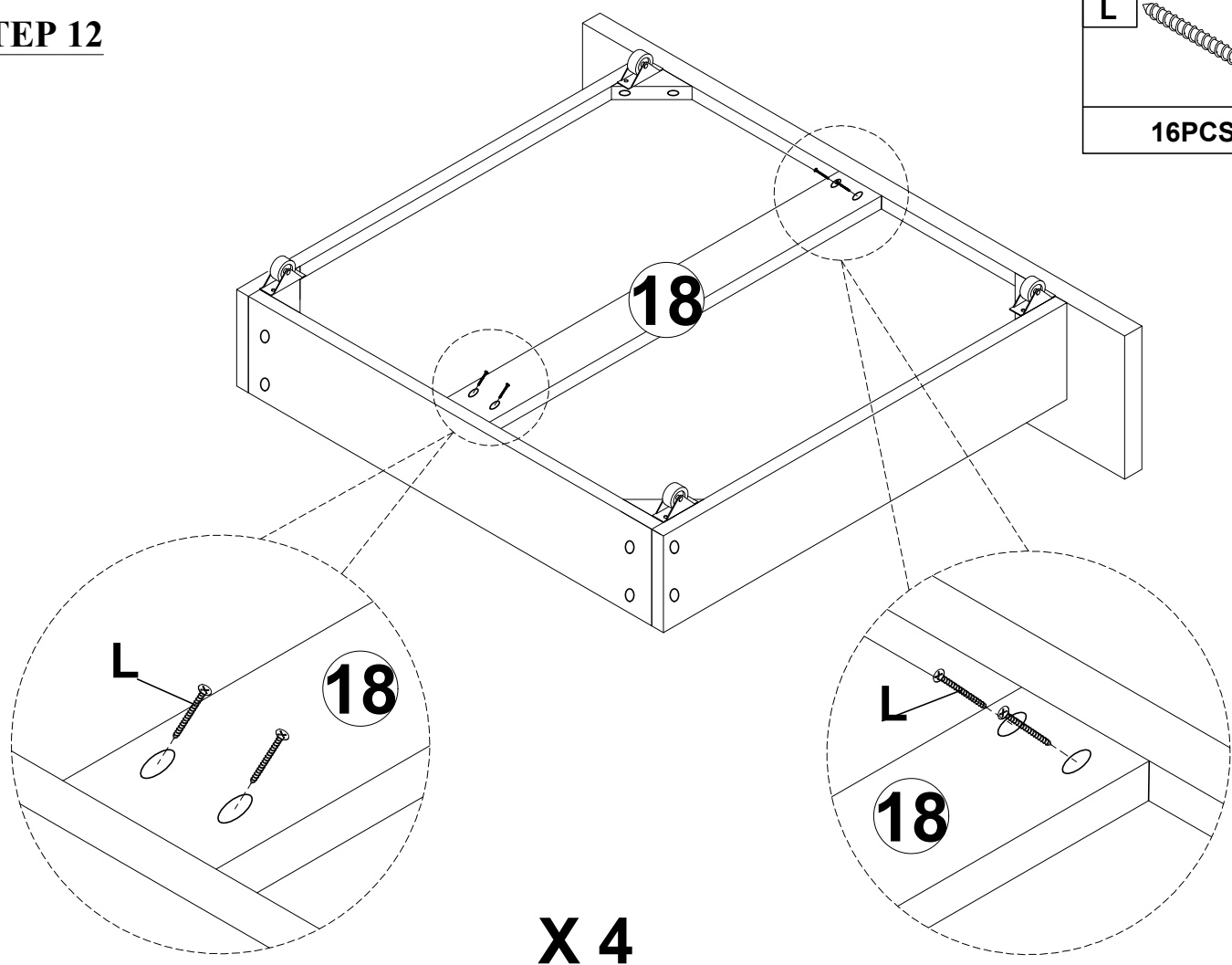
L	
32PCS	



X 4

STEP 12

L	
16PCS	



X 4

STEP 13

