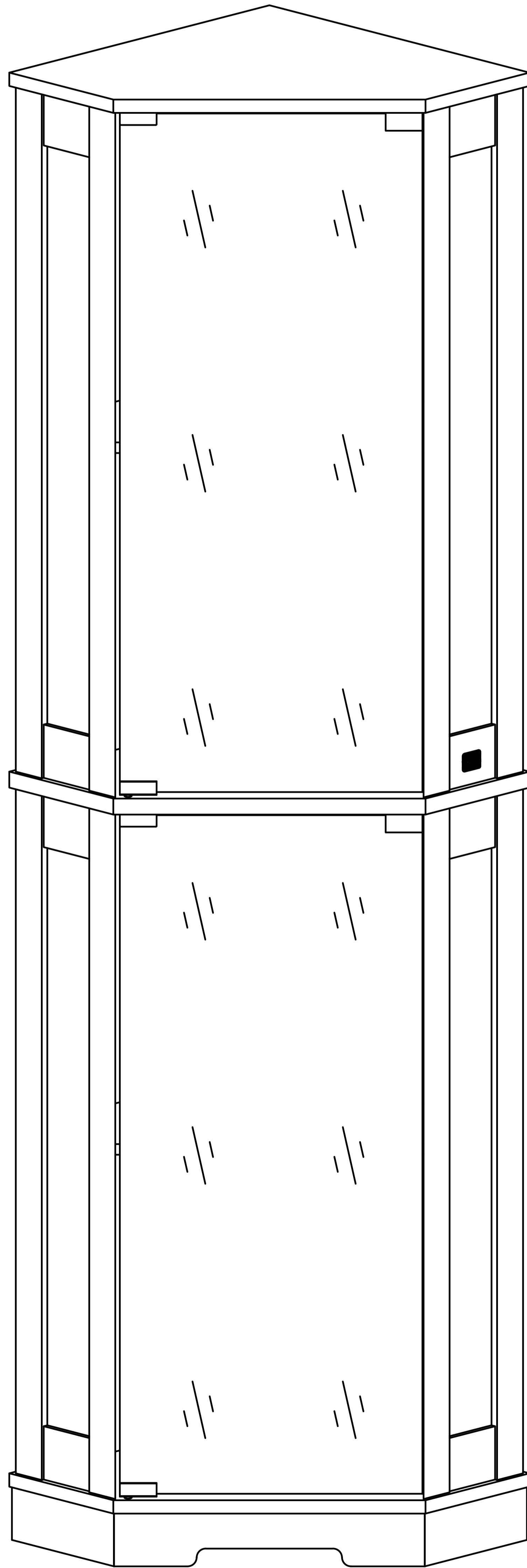
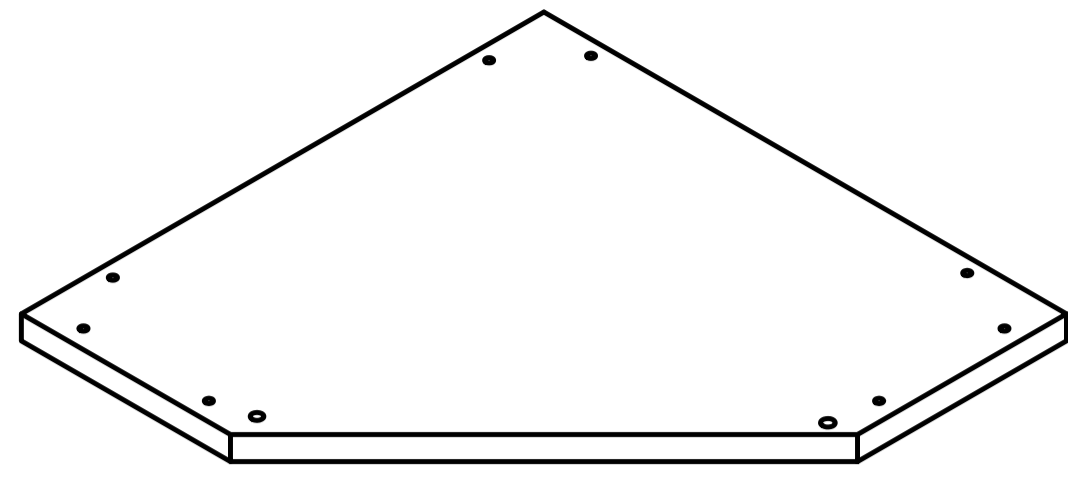
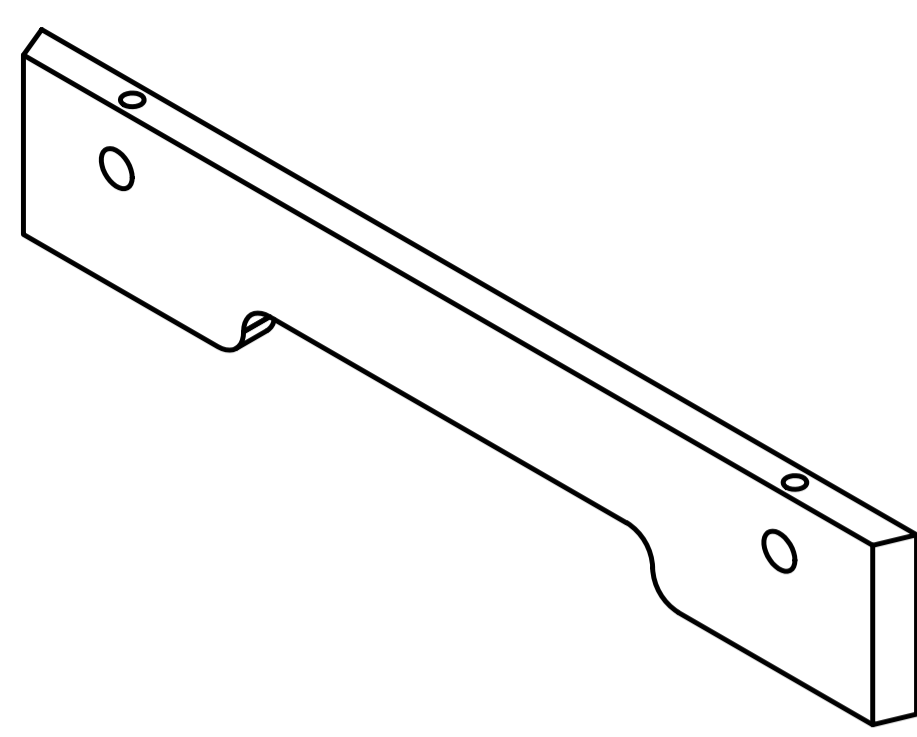


Product Installation Instructions

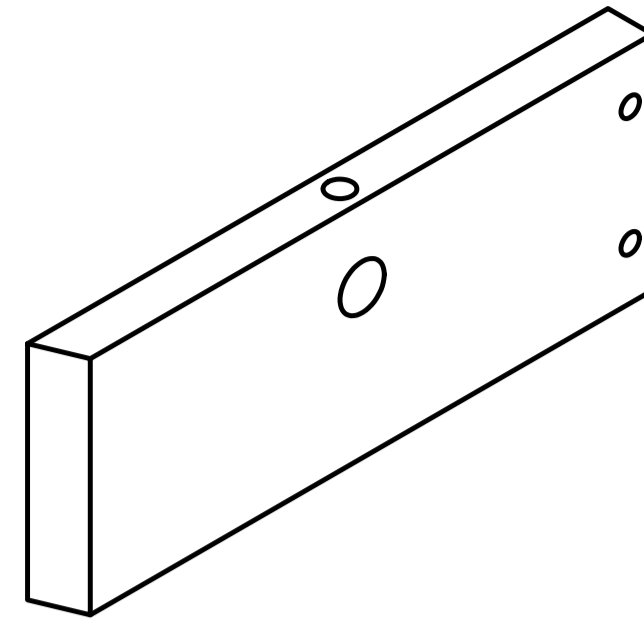




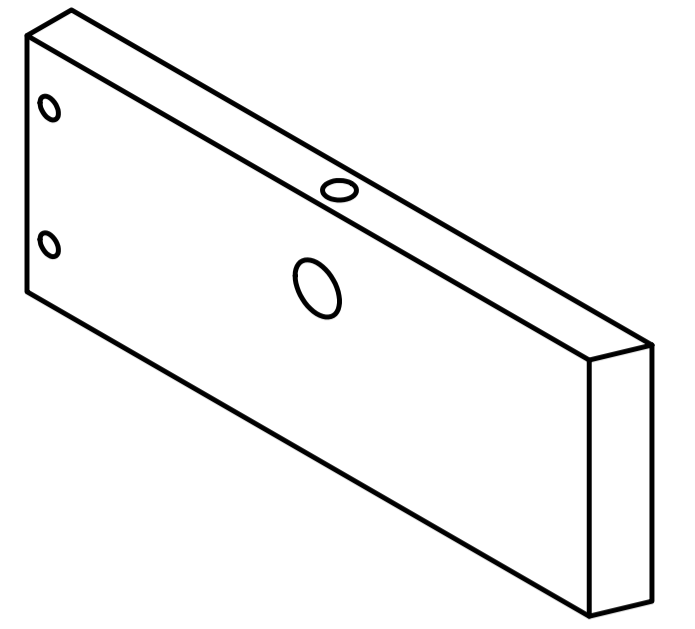
Ax1



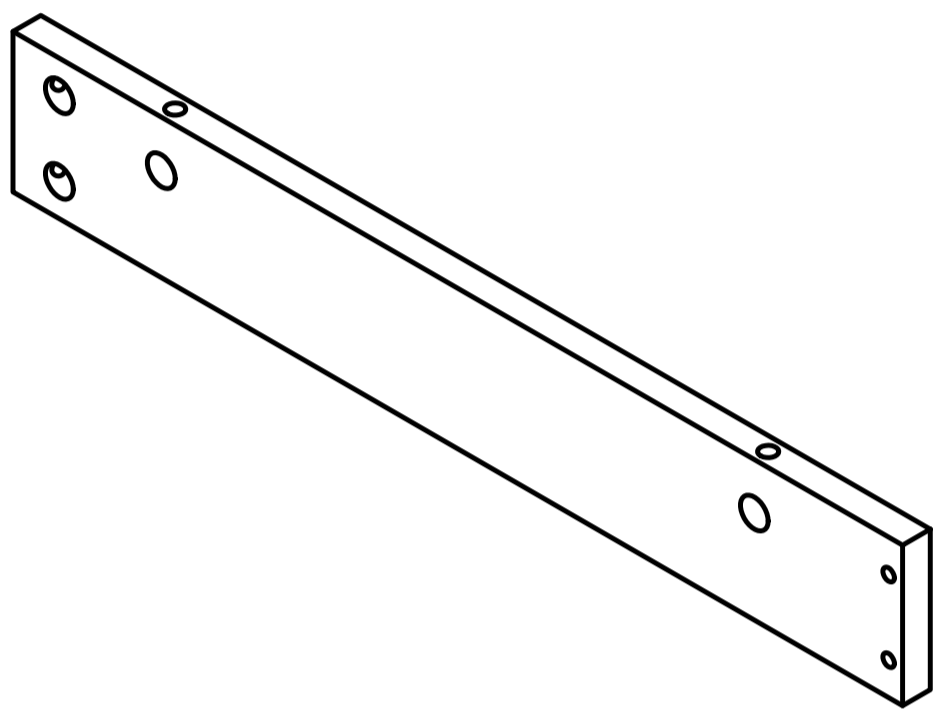
Bx1



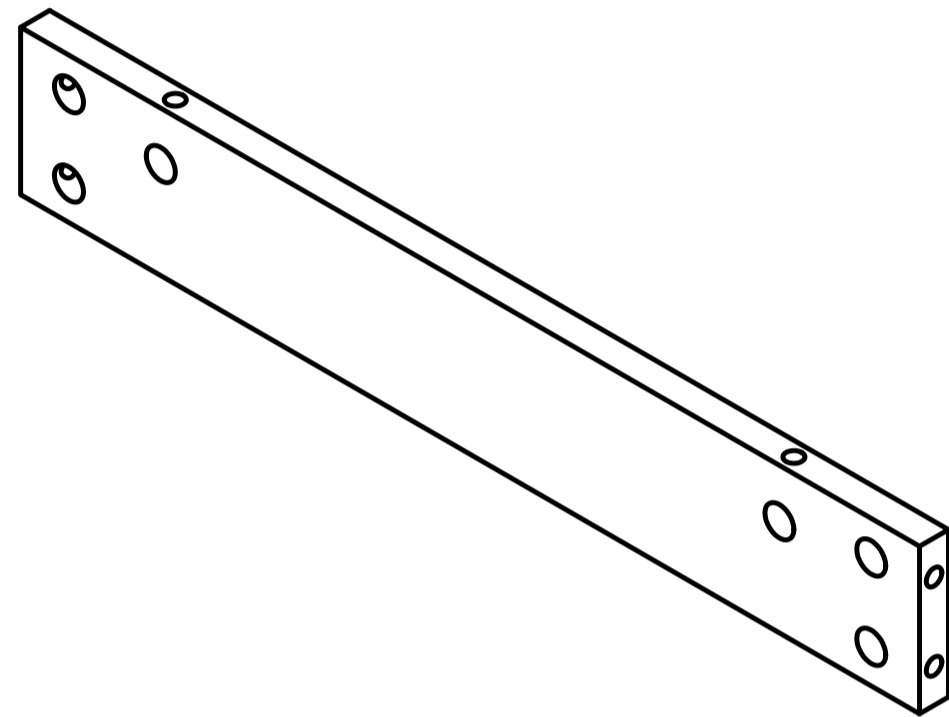
Cx1



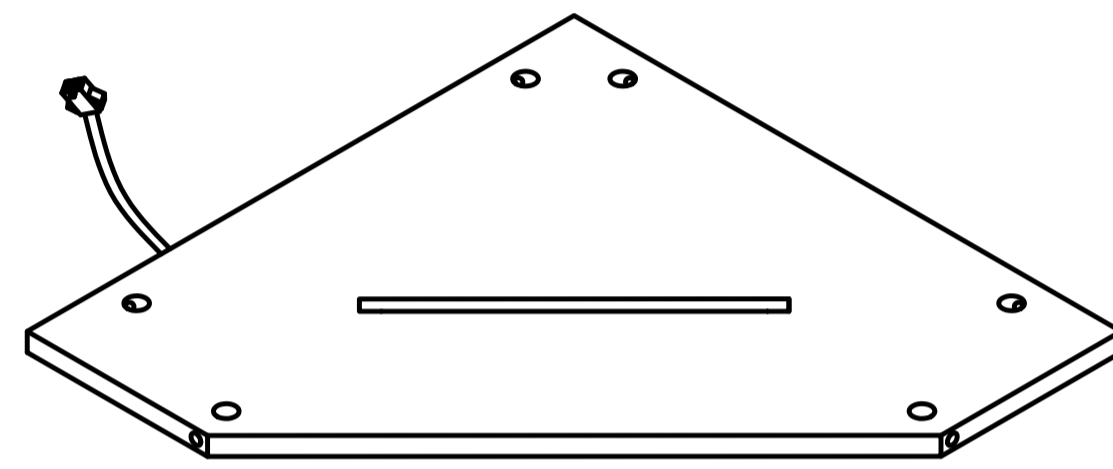
Dx1



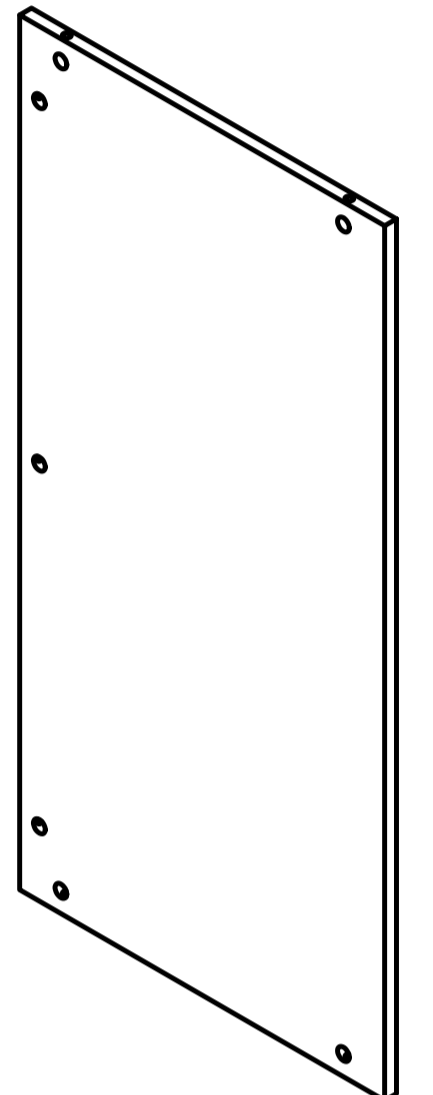
Ex1



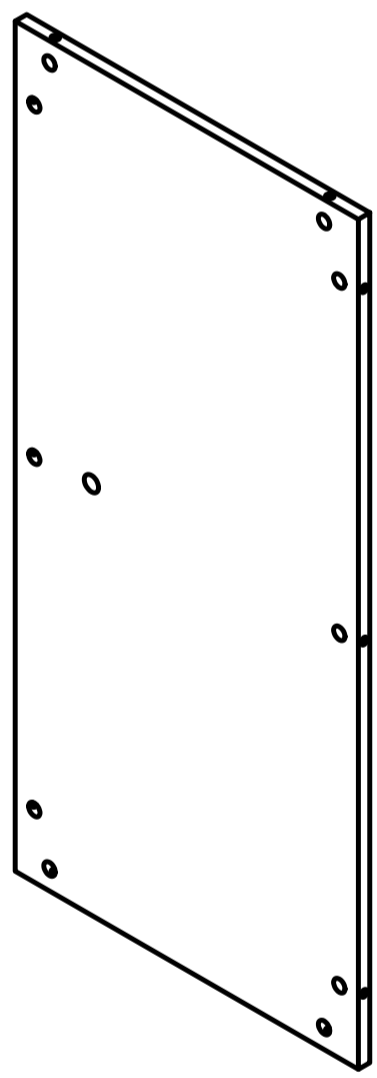
Fx1



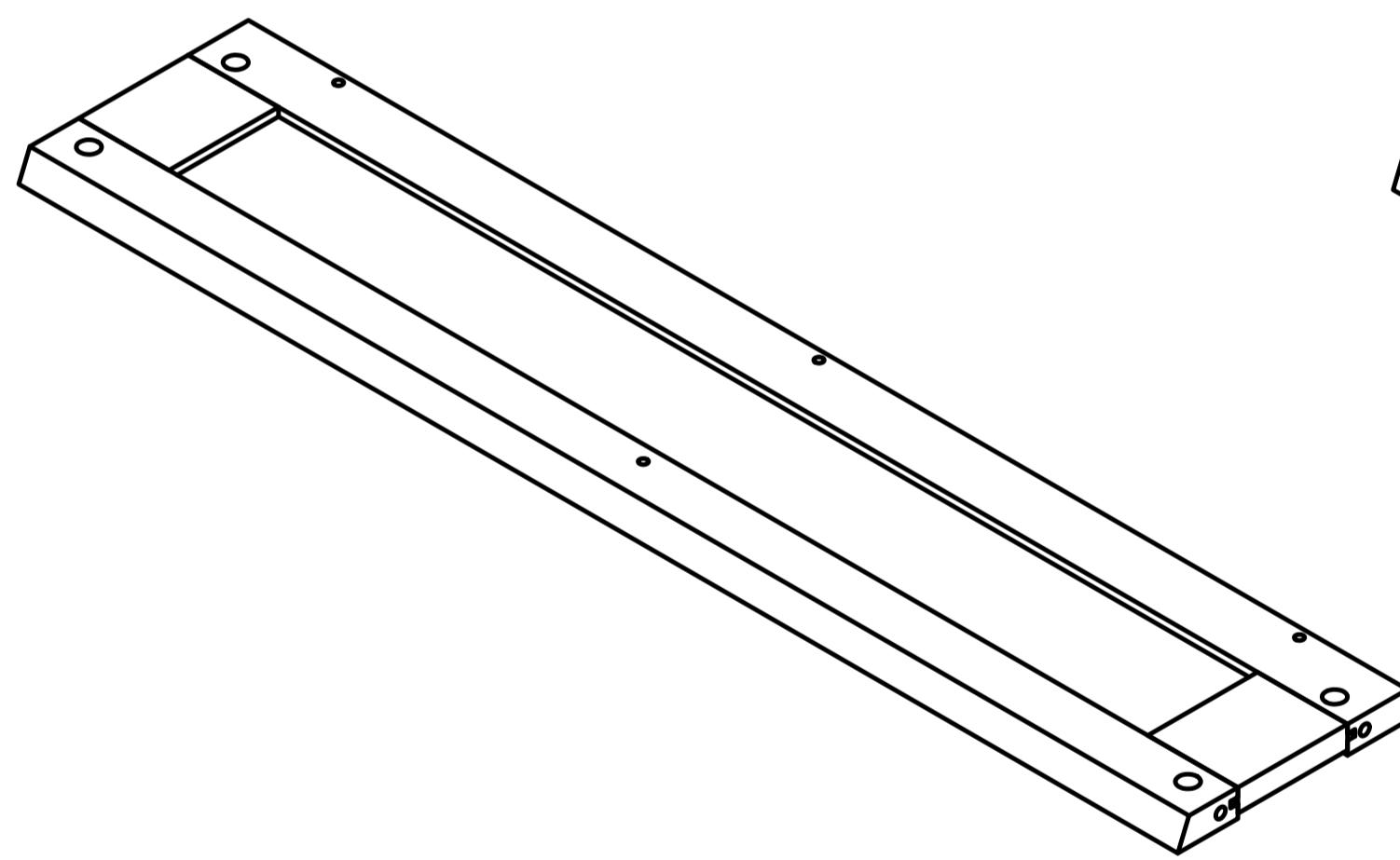
Gx2



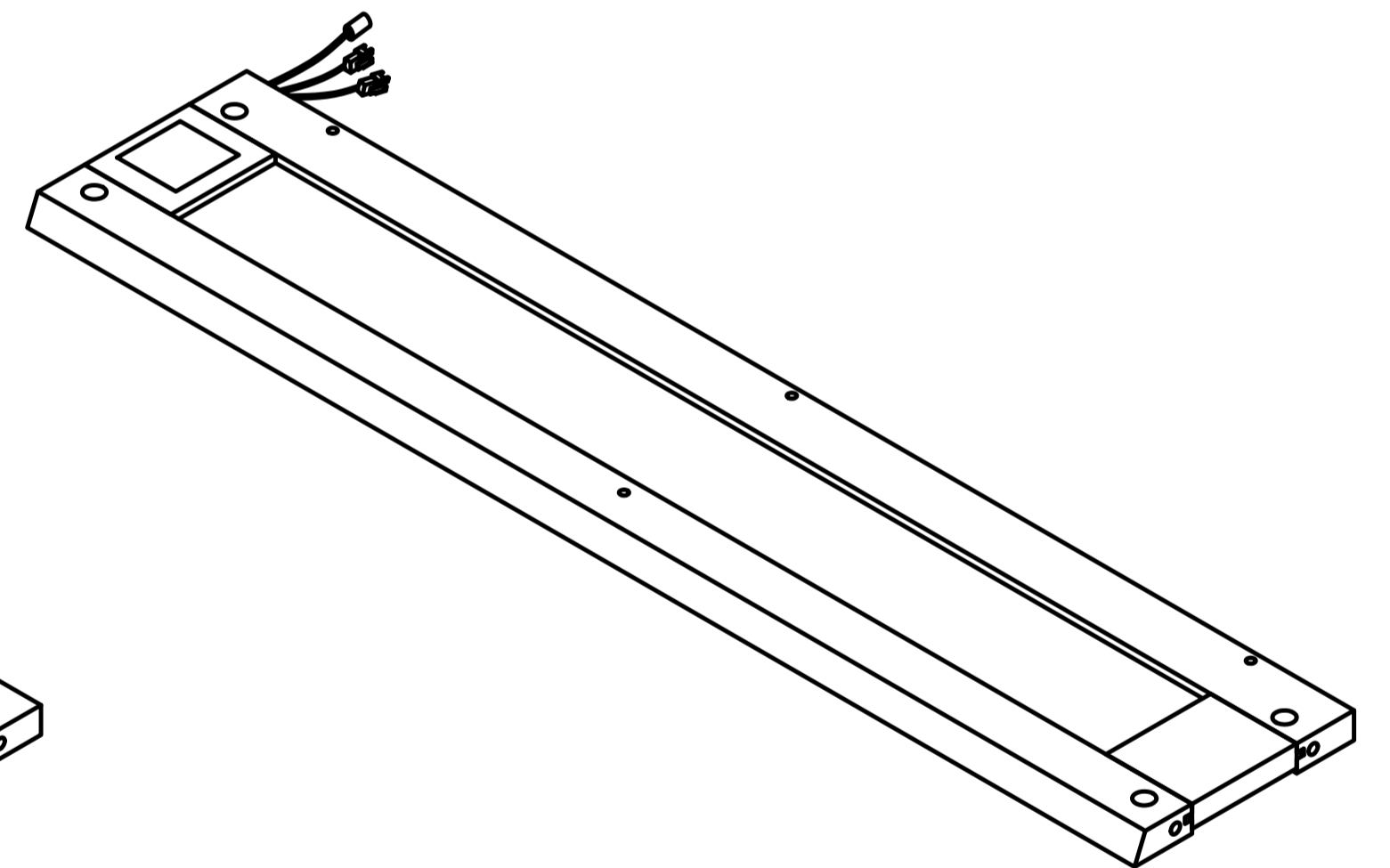
Hx2



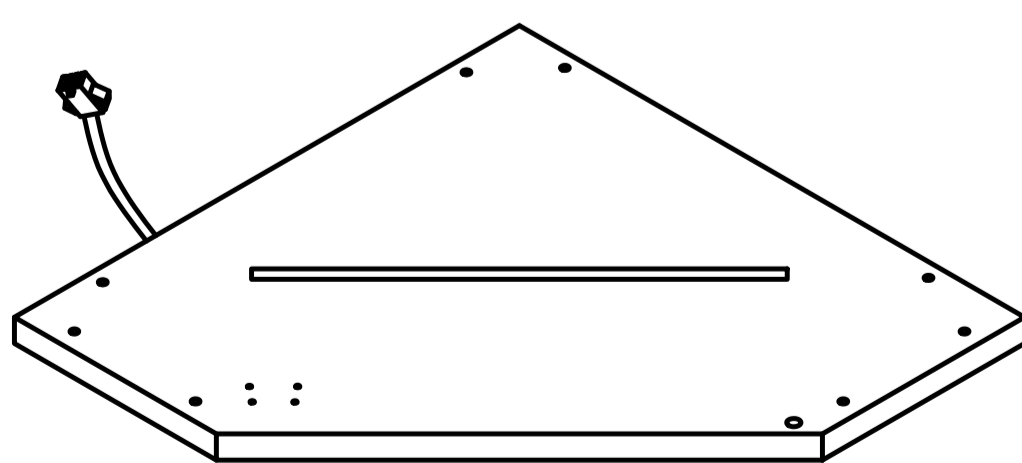
Ix2



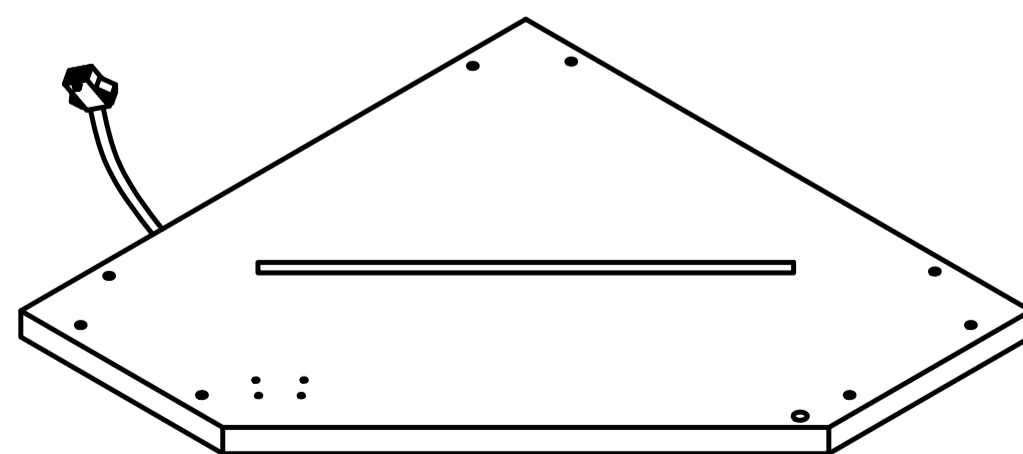
Jx3



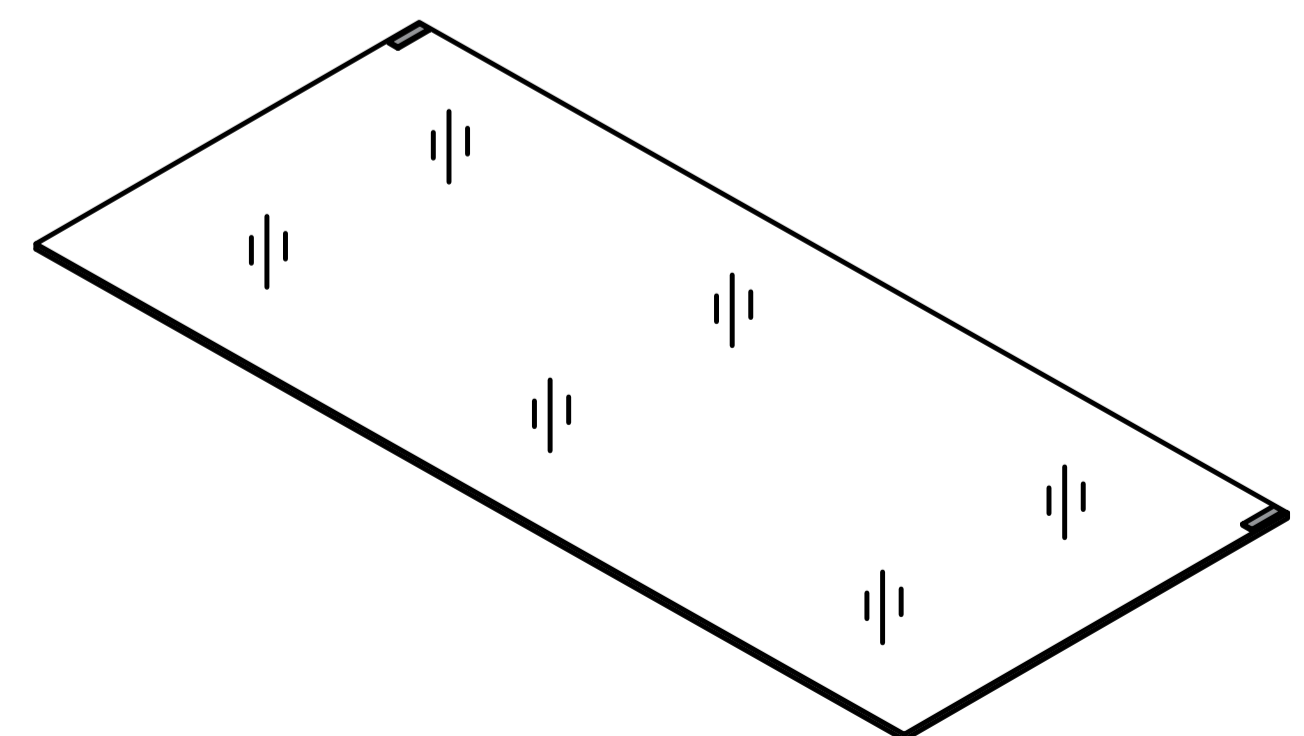
Kx1



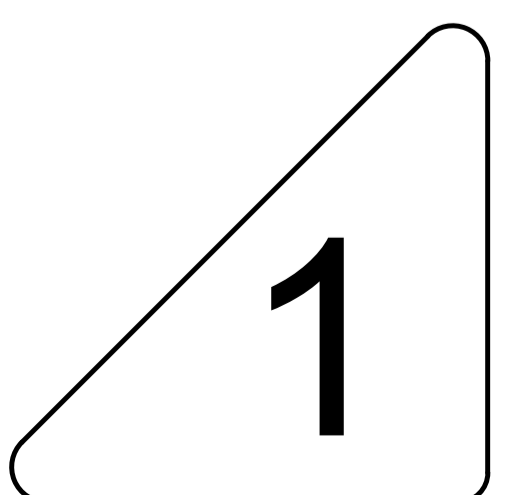
Lx1



Mx1

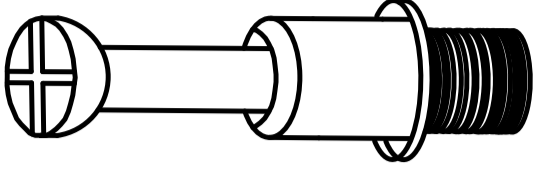
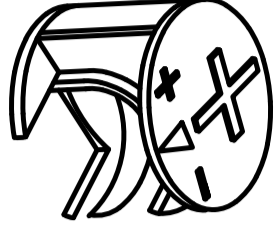

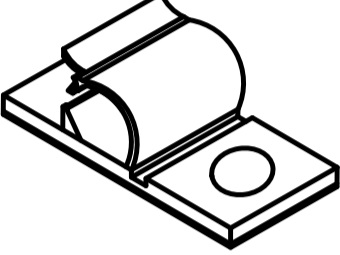
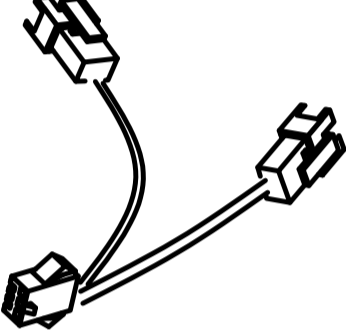


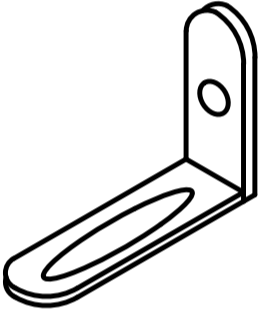
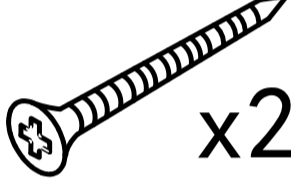

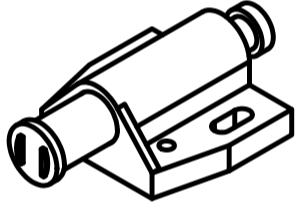
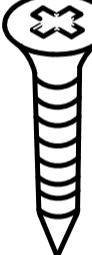
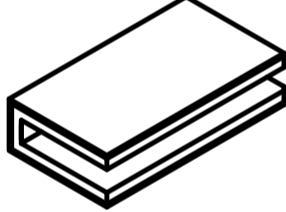
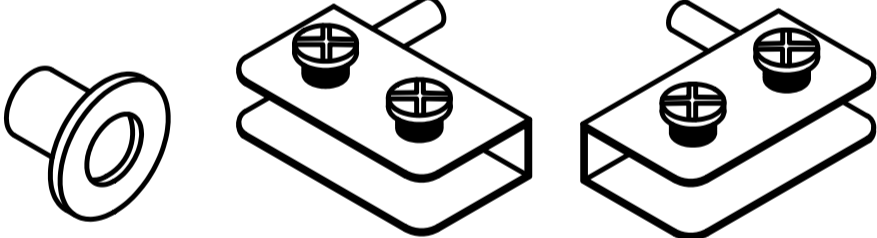
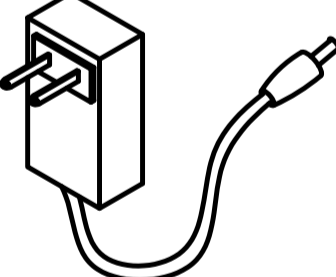


Nx2

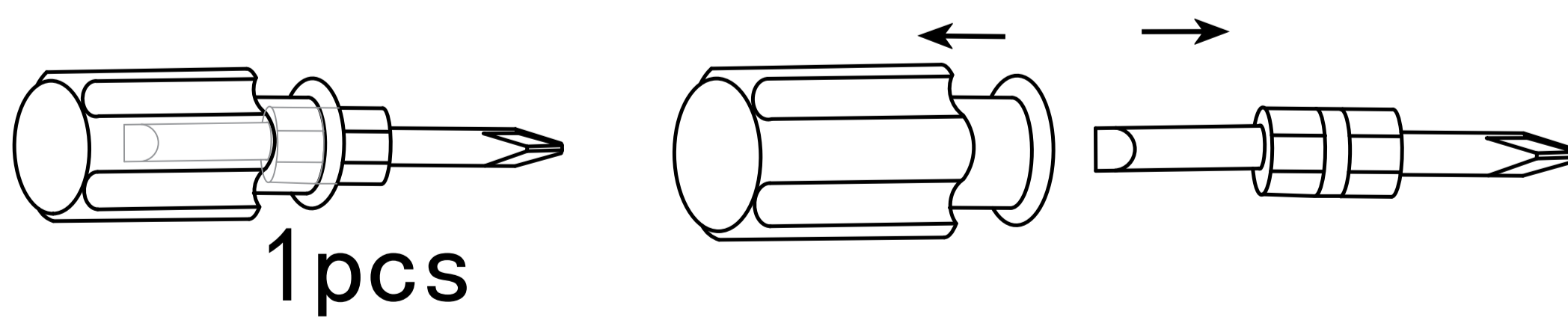


1

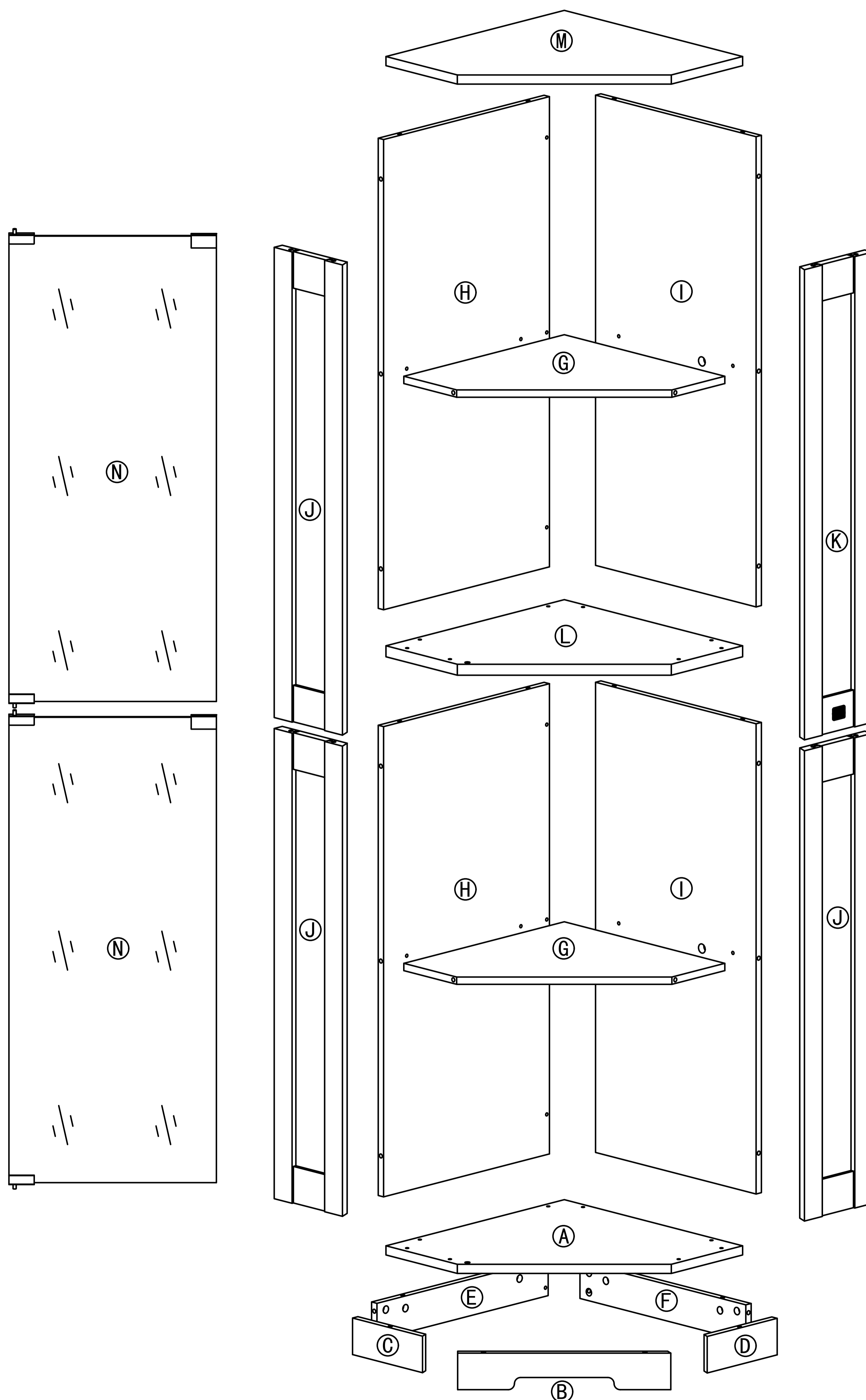
Accessories list

①		Two in one screw (6x28mm)			76pcs +3pcs	
②		Two in one nut (10x12mm)			76pcs +3pcs	
③		Non-slip pads			6pcs	
④		Wire clamp			4pcs +1pcs	
⑤		Double end connecting line			2pcs	
⑥	Anti Fall Hardware	 x2	 (3.5x14mm) x2	 x2	 x2 (4x45mm)	 x4
⑦	 	Rebound device & Screw (3x16mm)			8pcs +1pcs 2pcs	
		Iron sheet			2pcs	
		Hinge			4pcs	
		AC/DC Adapter (12V==2.0A)			1pcs	

Double-head screwdriver, use as required

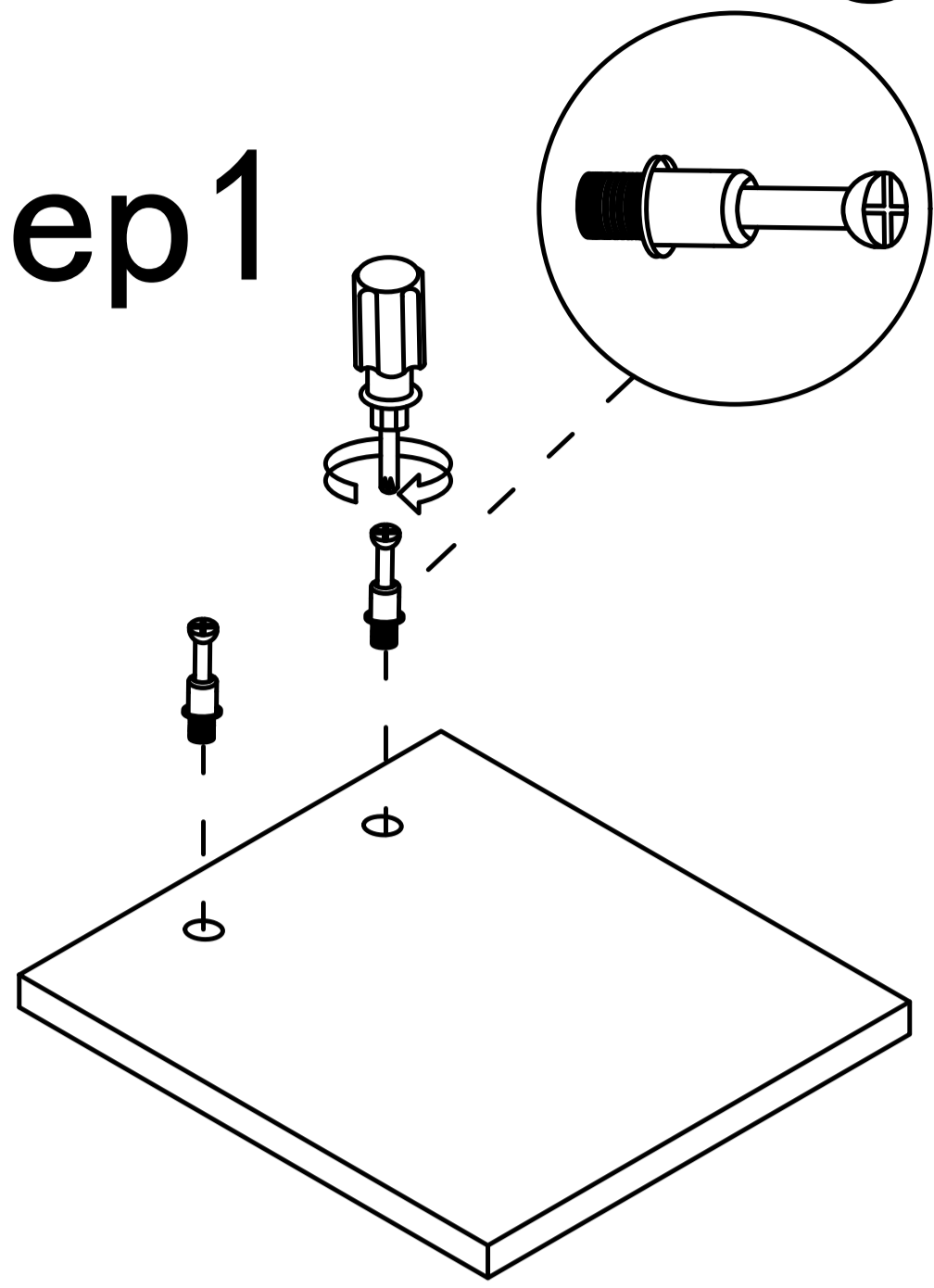


Product structure decomposition

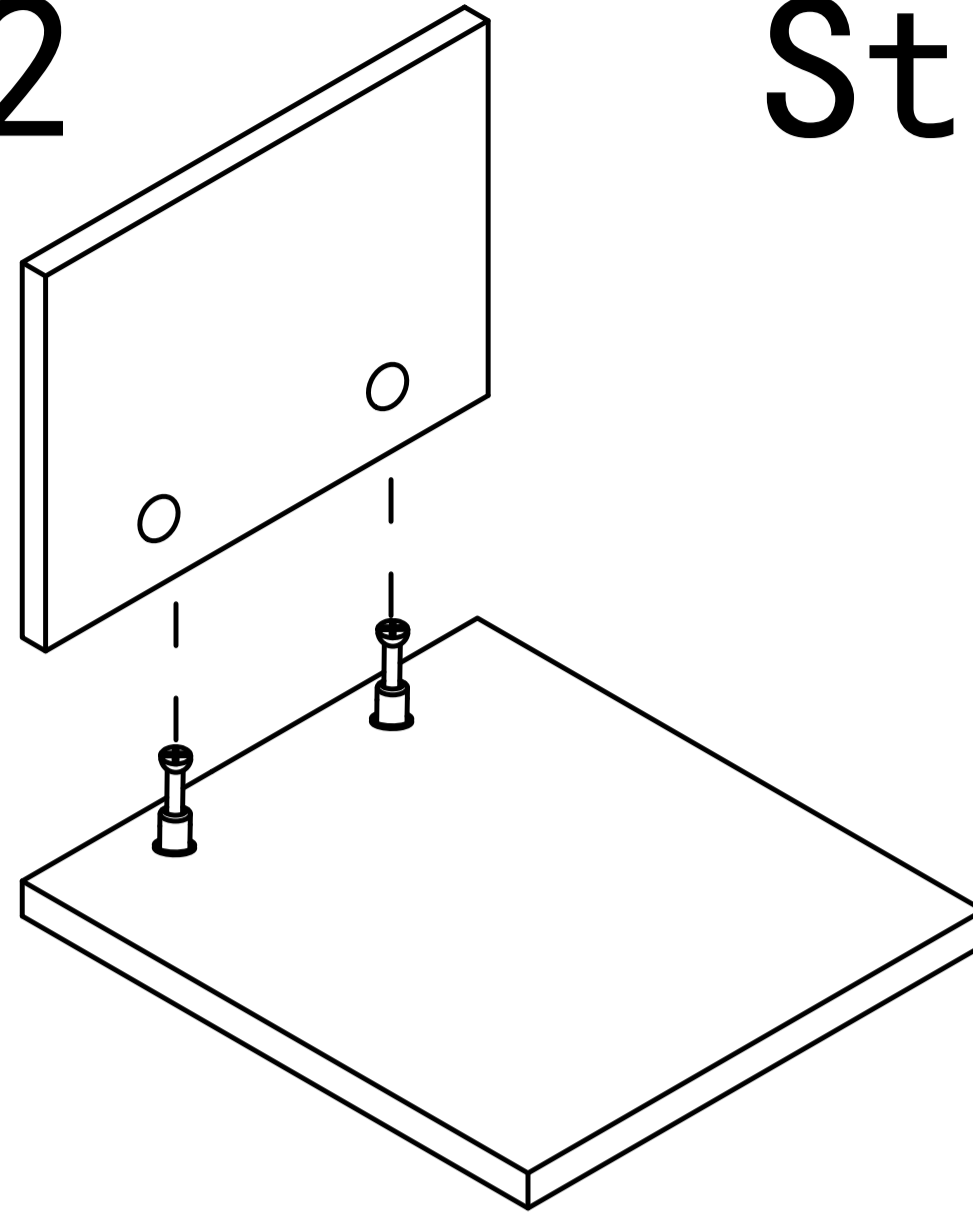


Use parts ① and ②

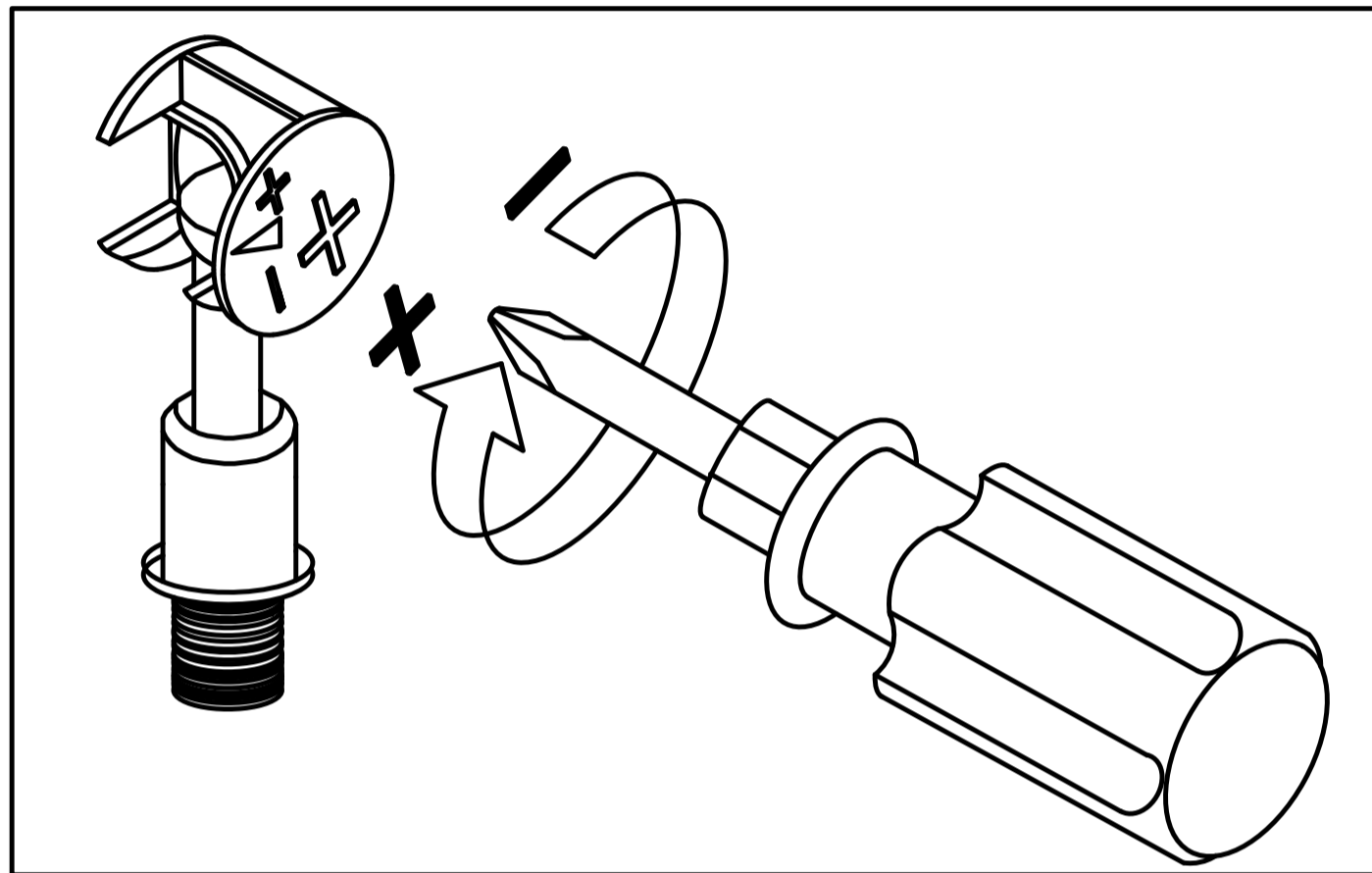
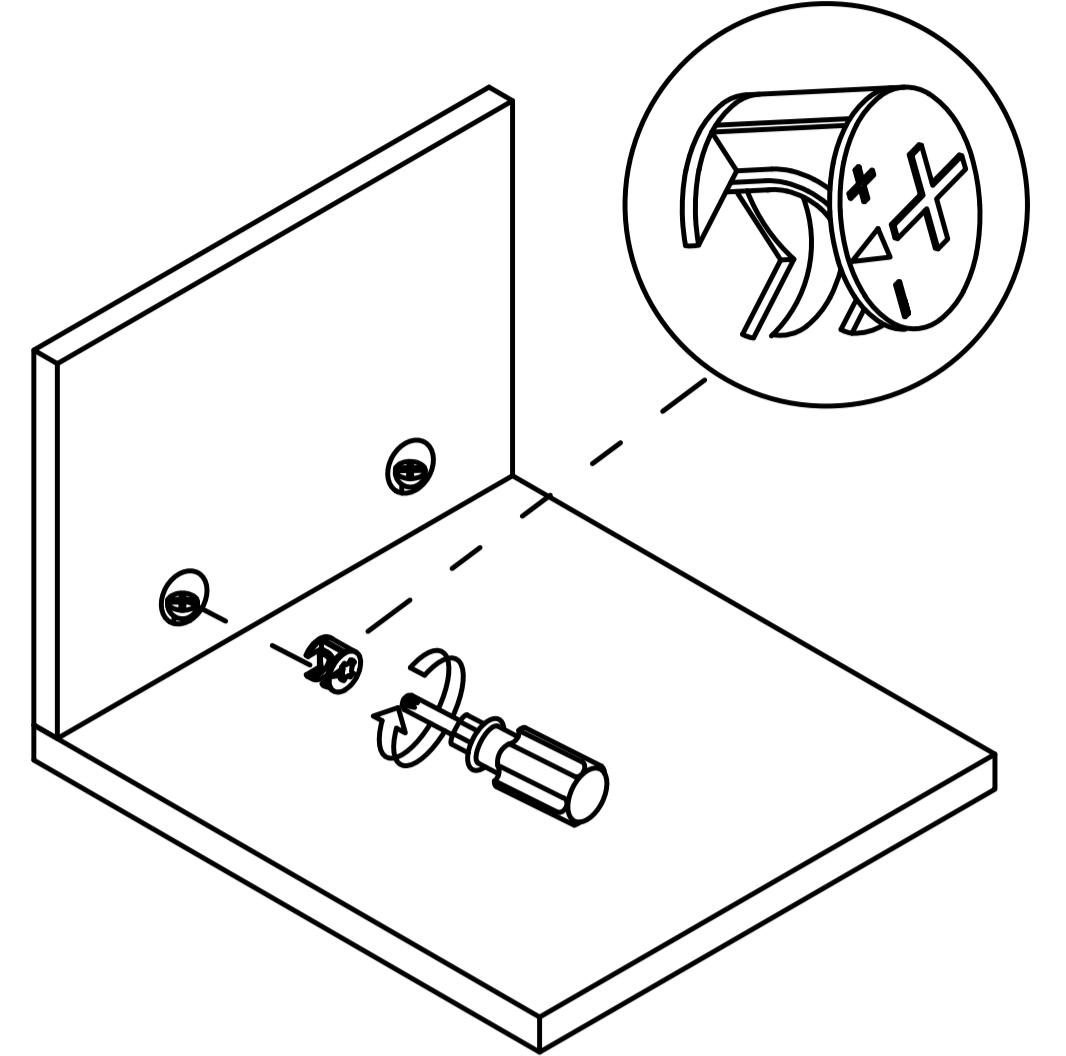
Step1



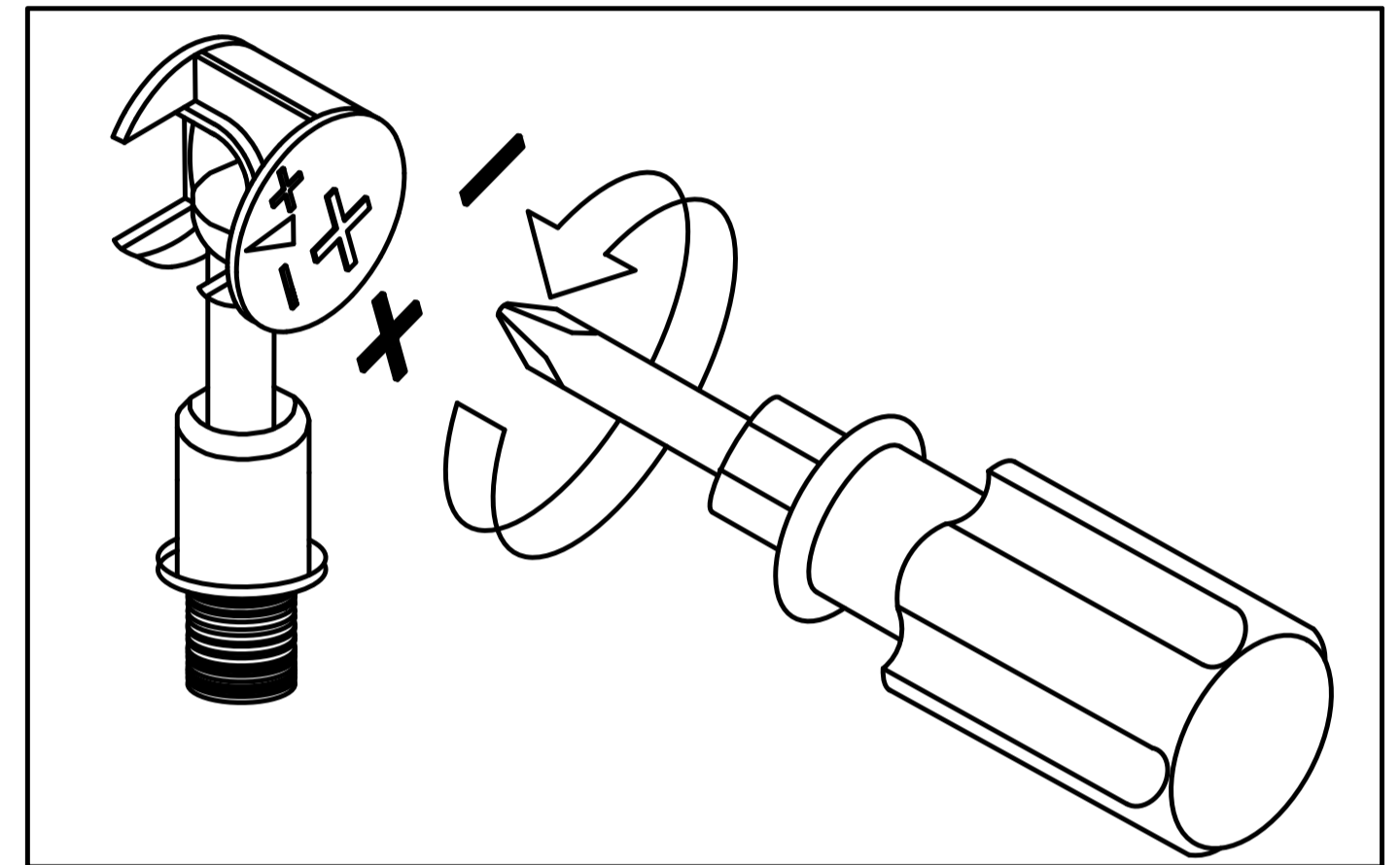
Step2



Step3

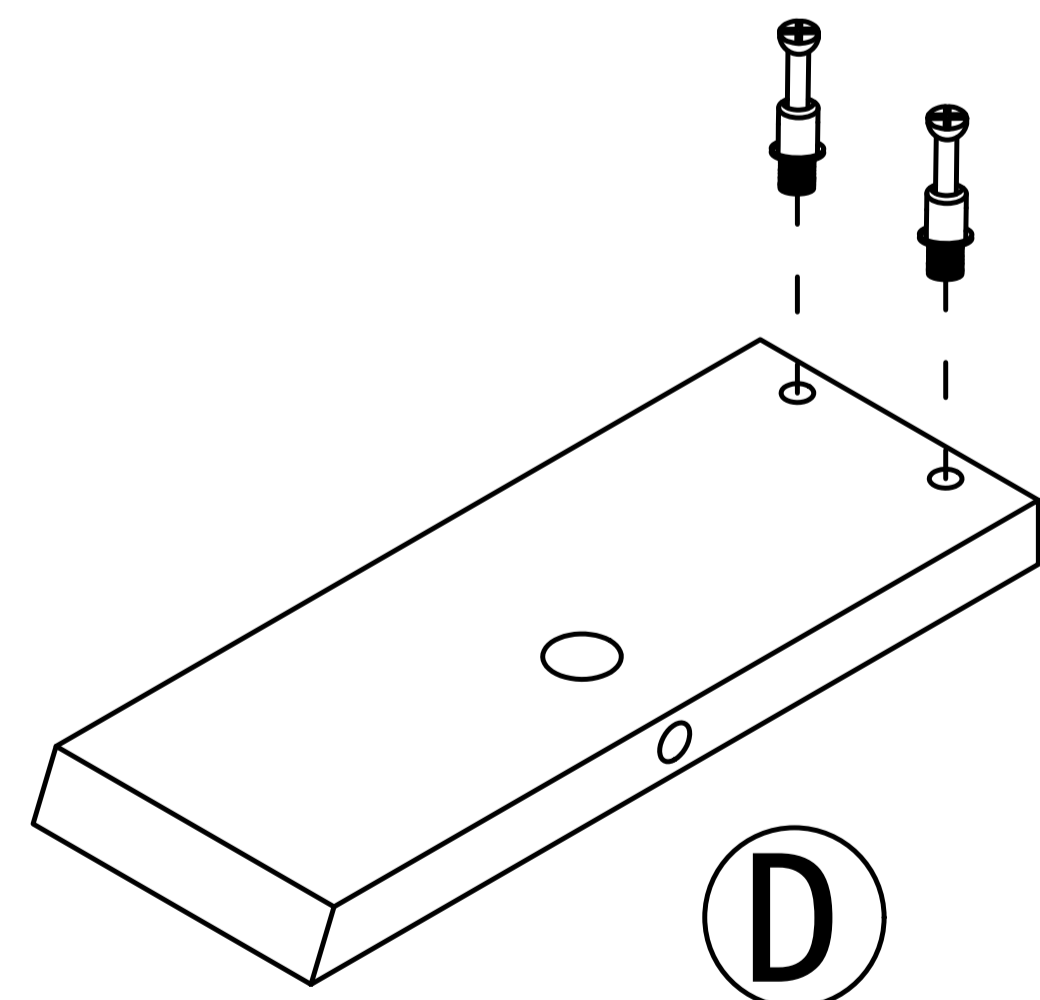
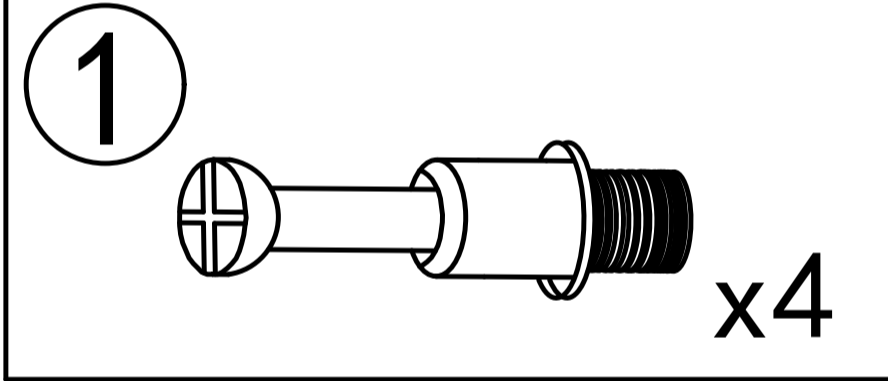
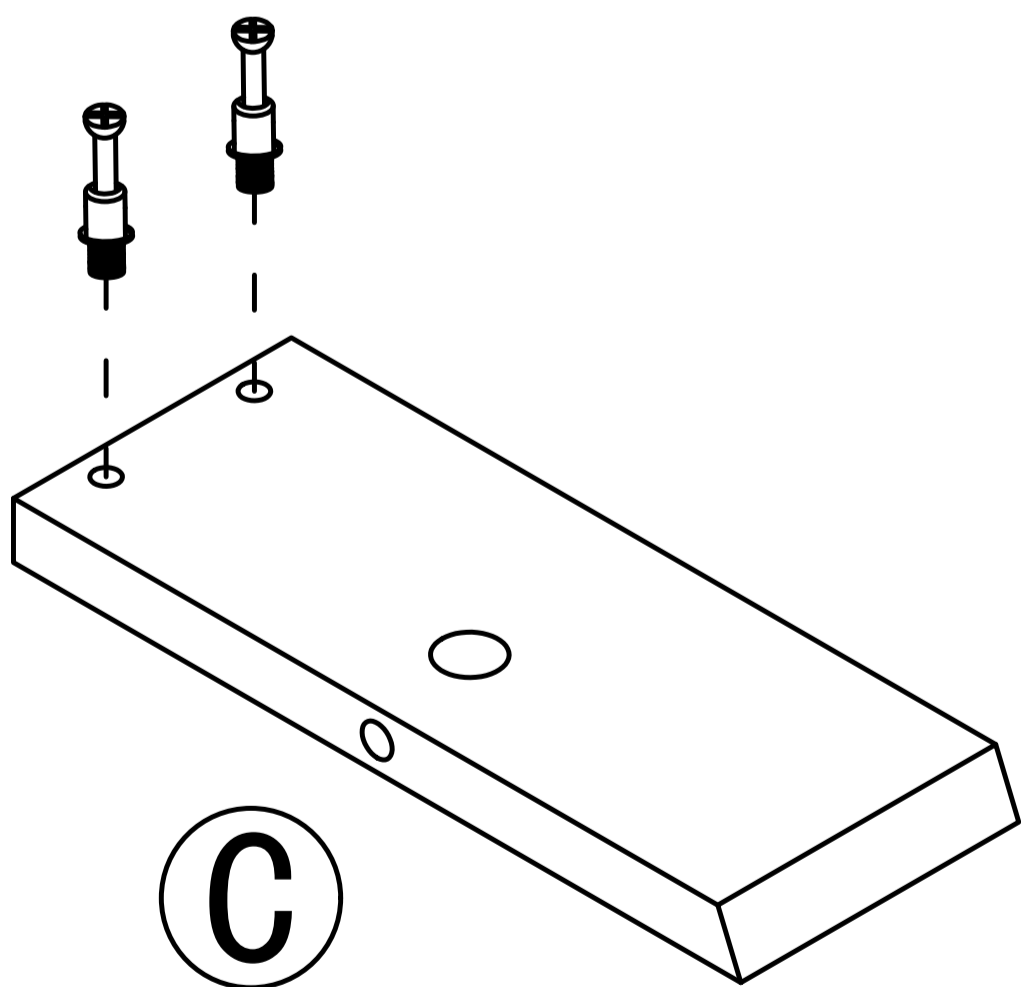


Use a screwdriver to lock in the direction of the "+" sign

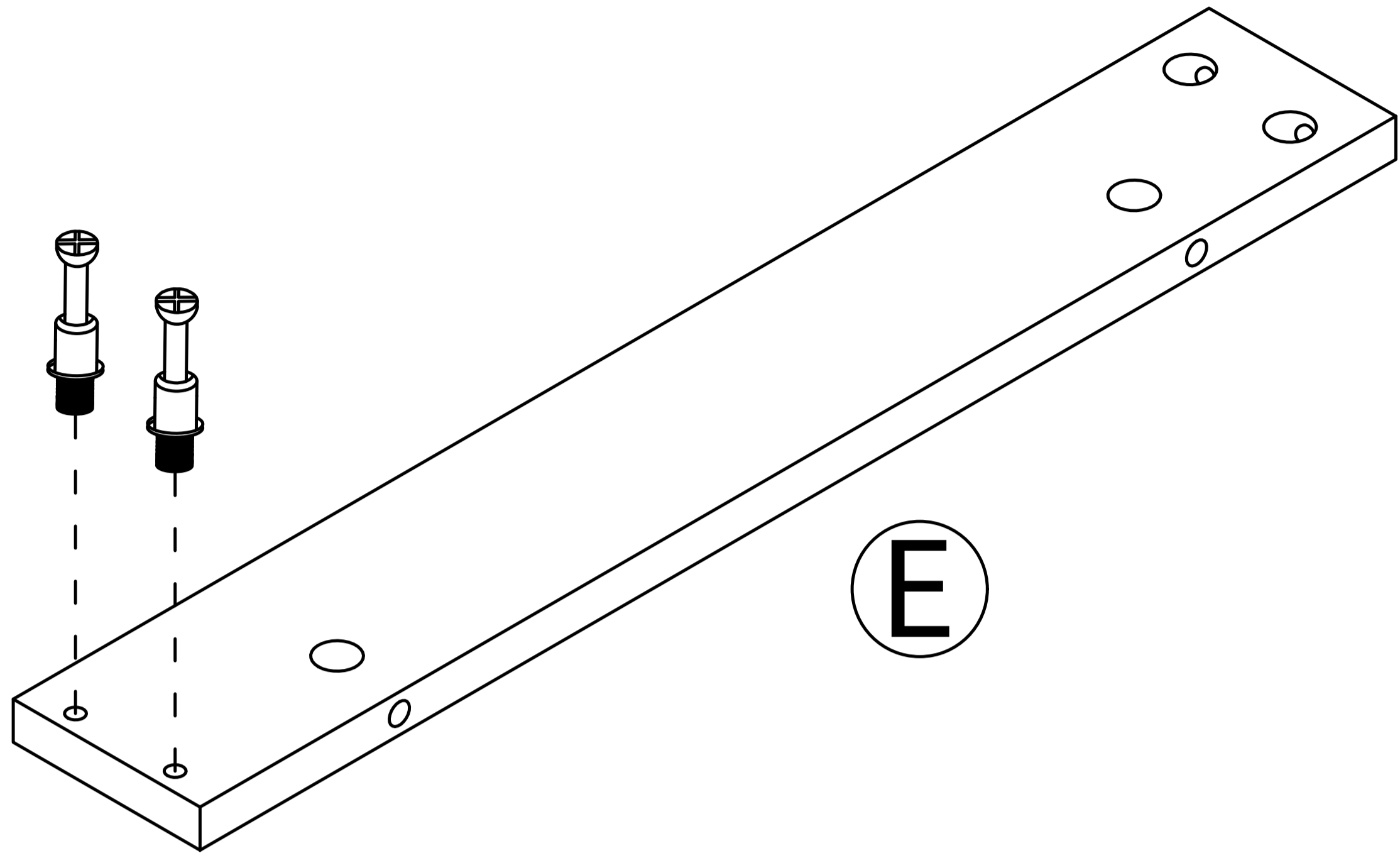
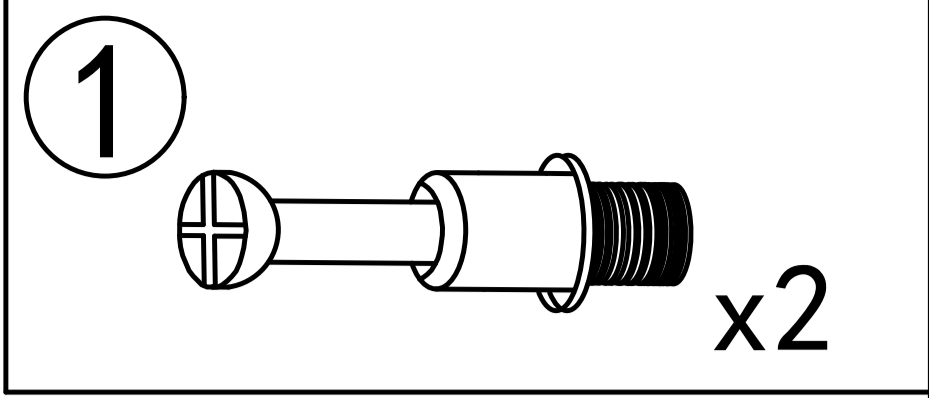


Disassemble along the direction of "-" sign

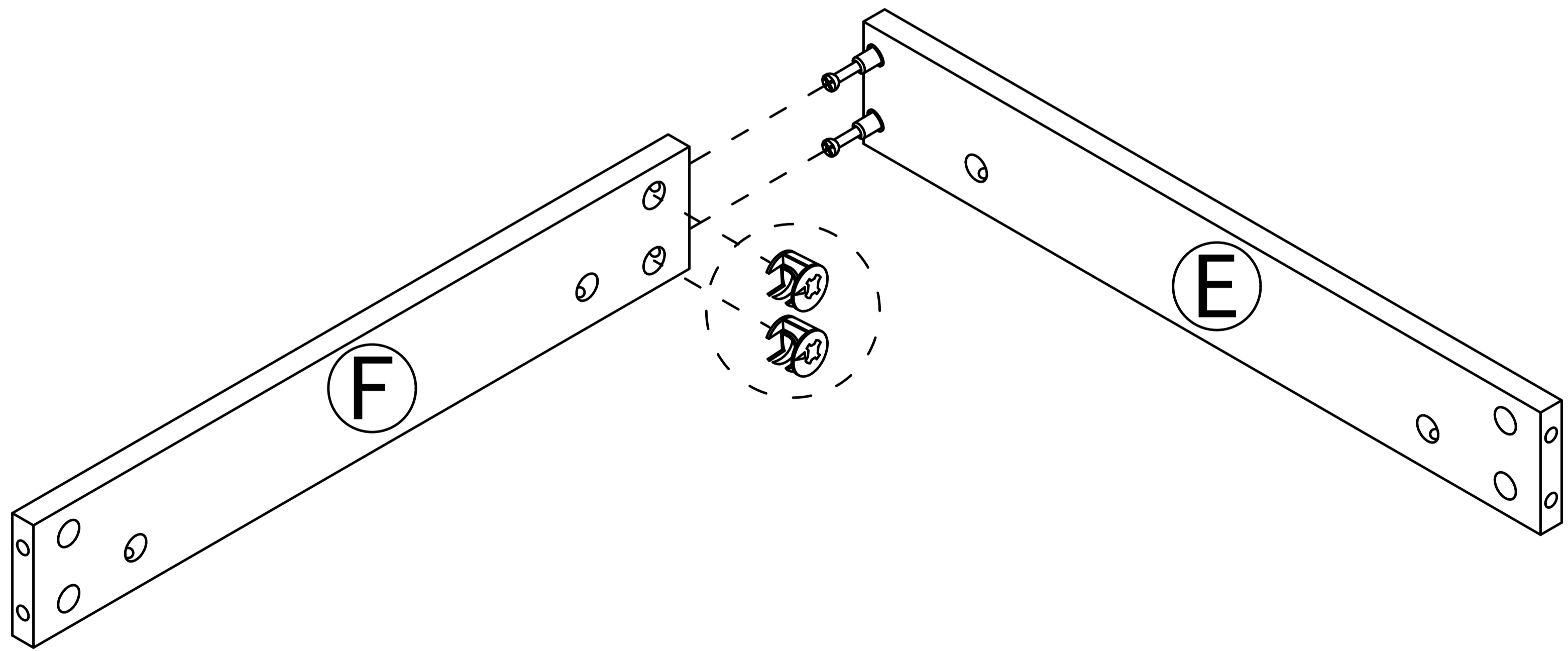
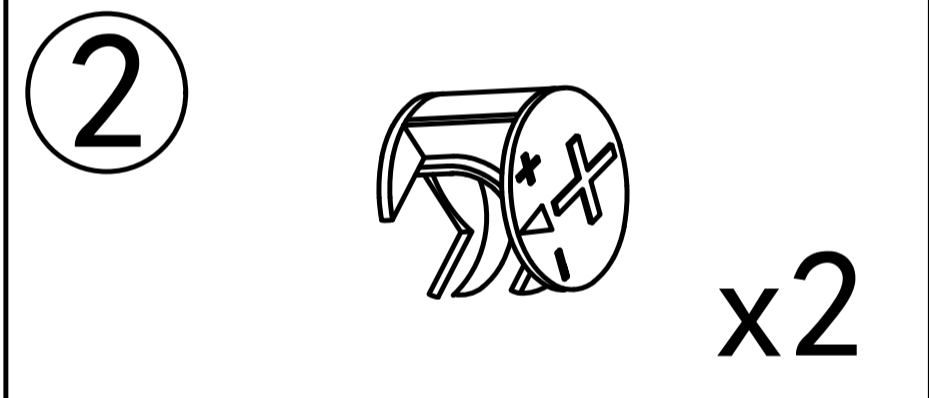
Step 1



Step 2

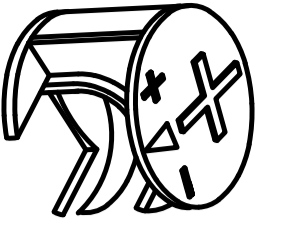


Step 3

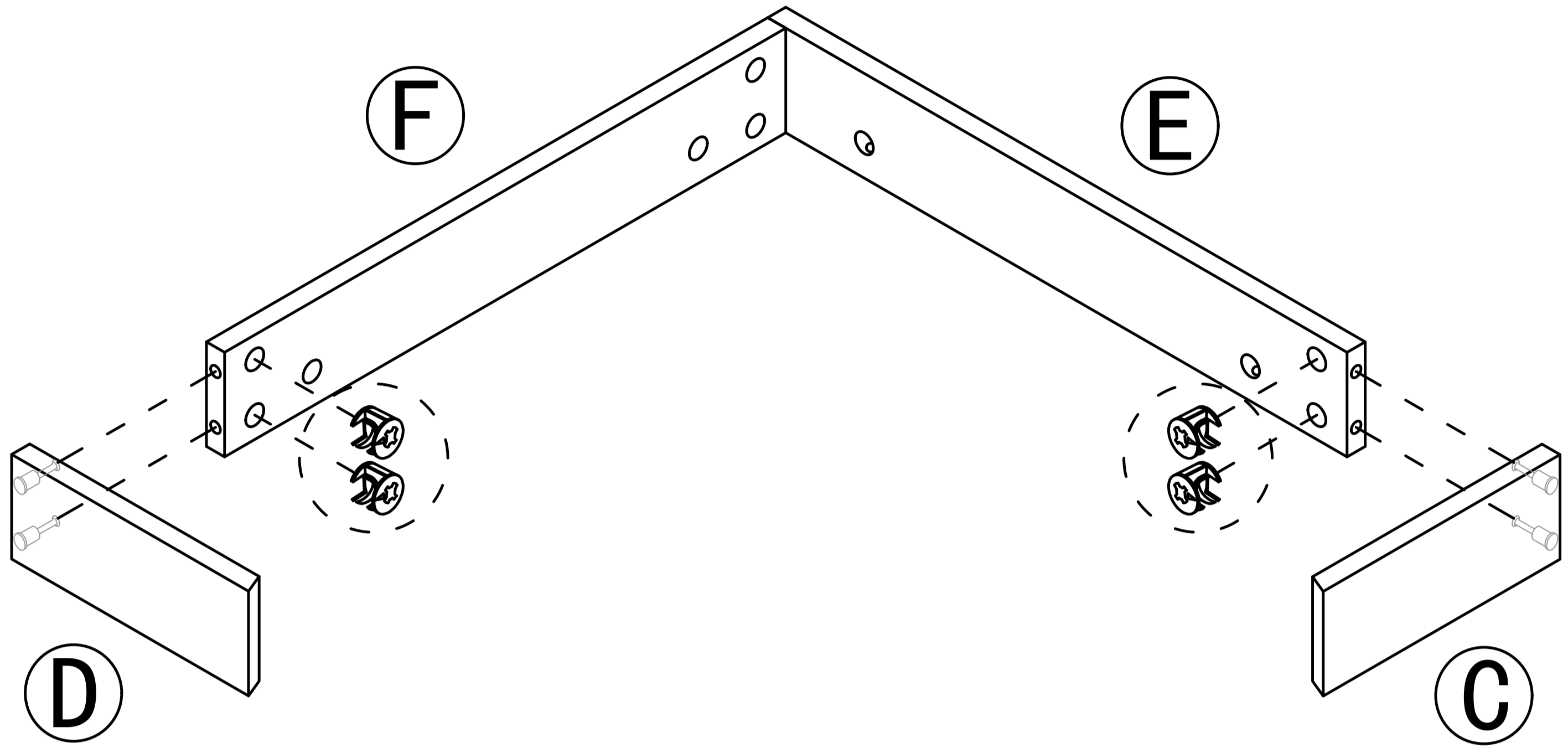


Step 4

2

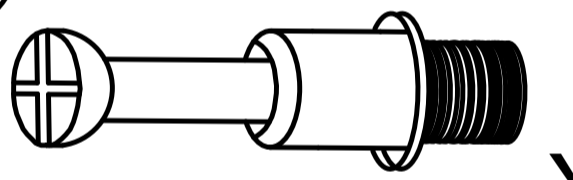


x4

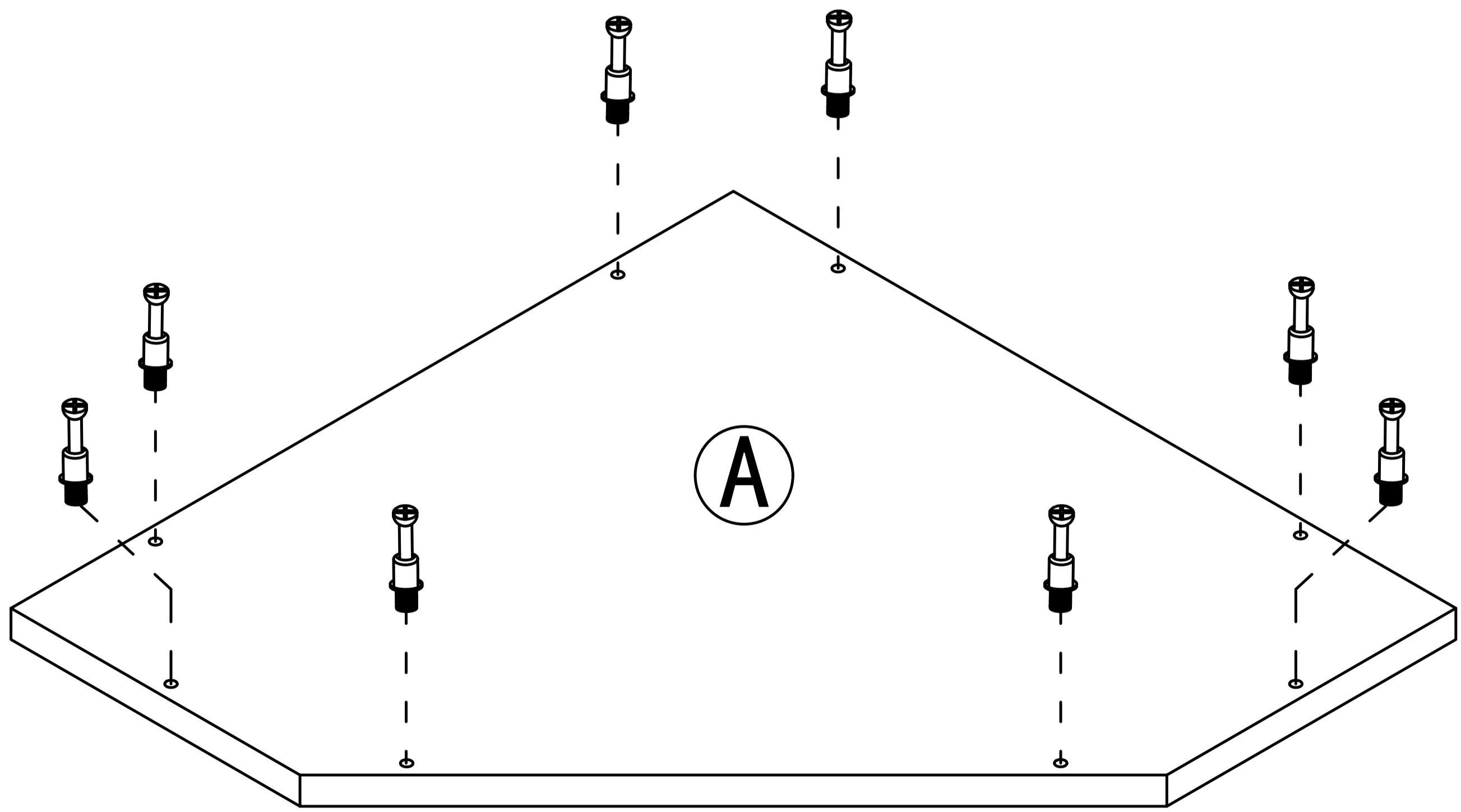


Step 5

1

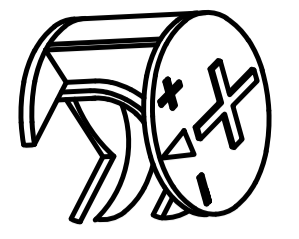


x8

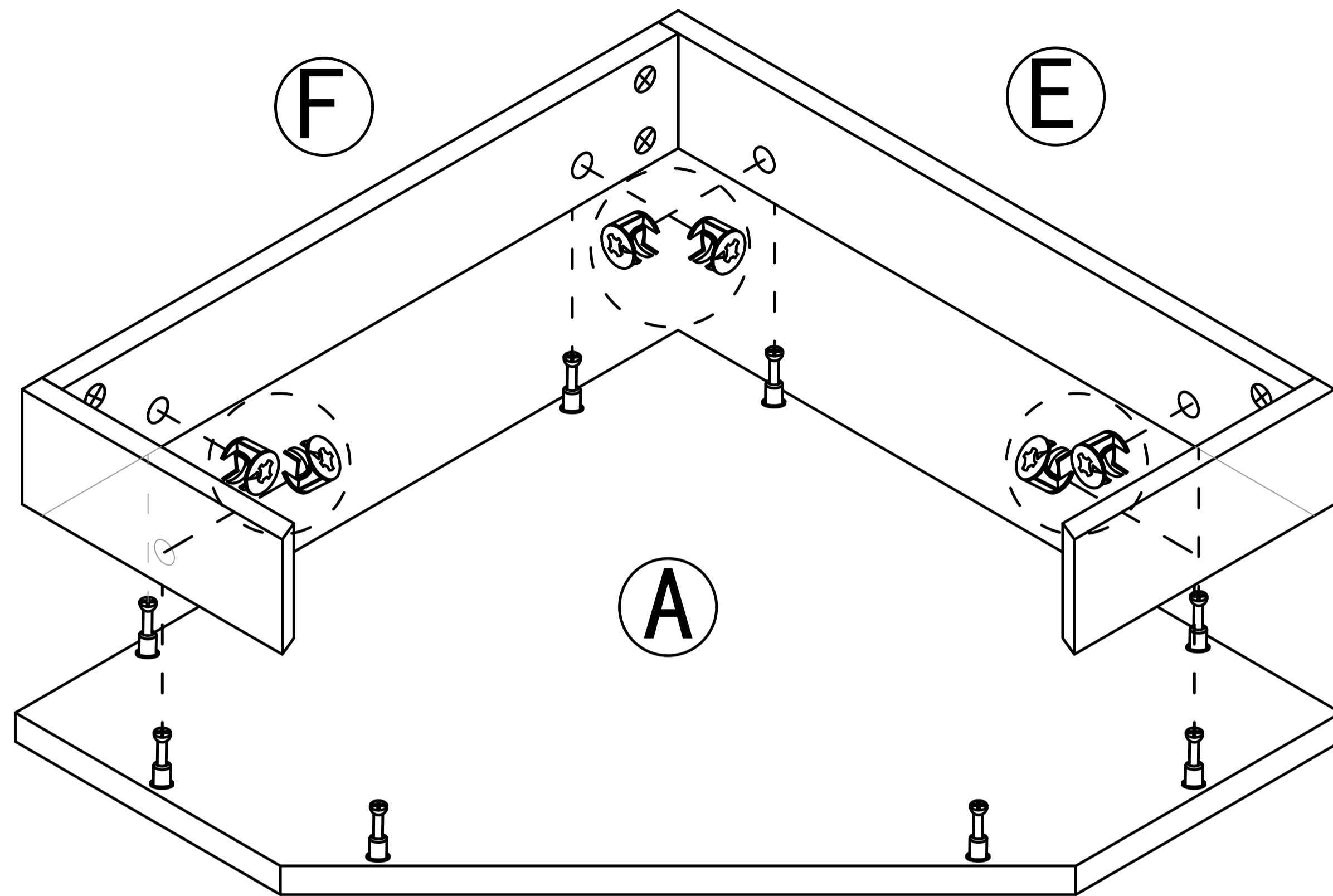


Step 6

2

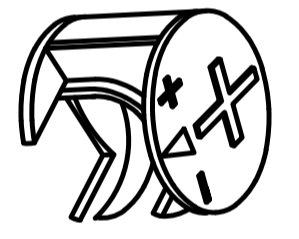


x6

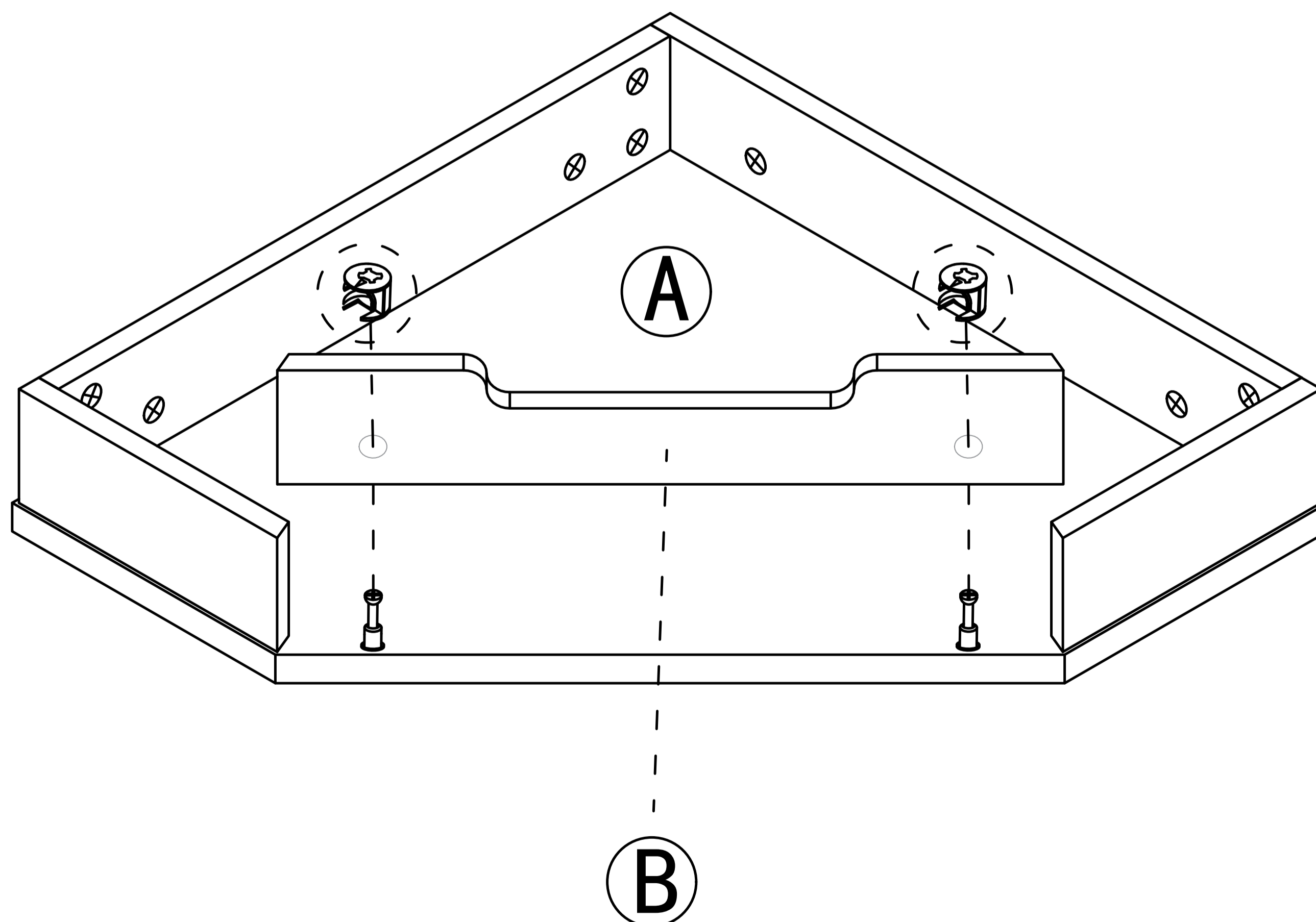


Step 7

2

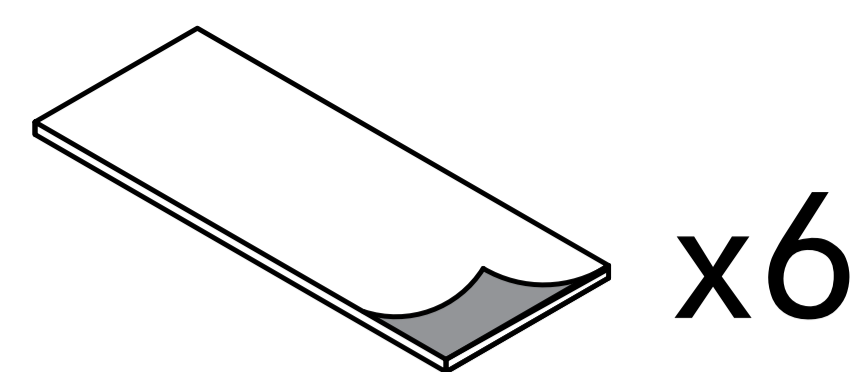


x2

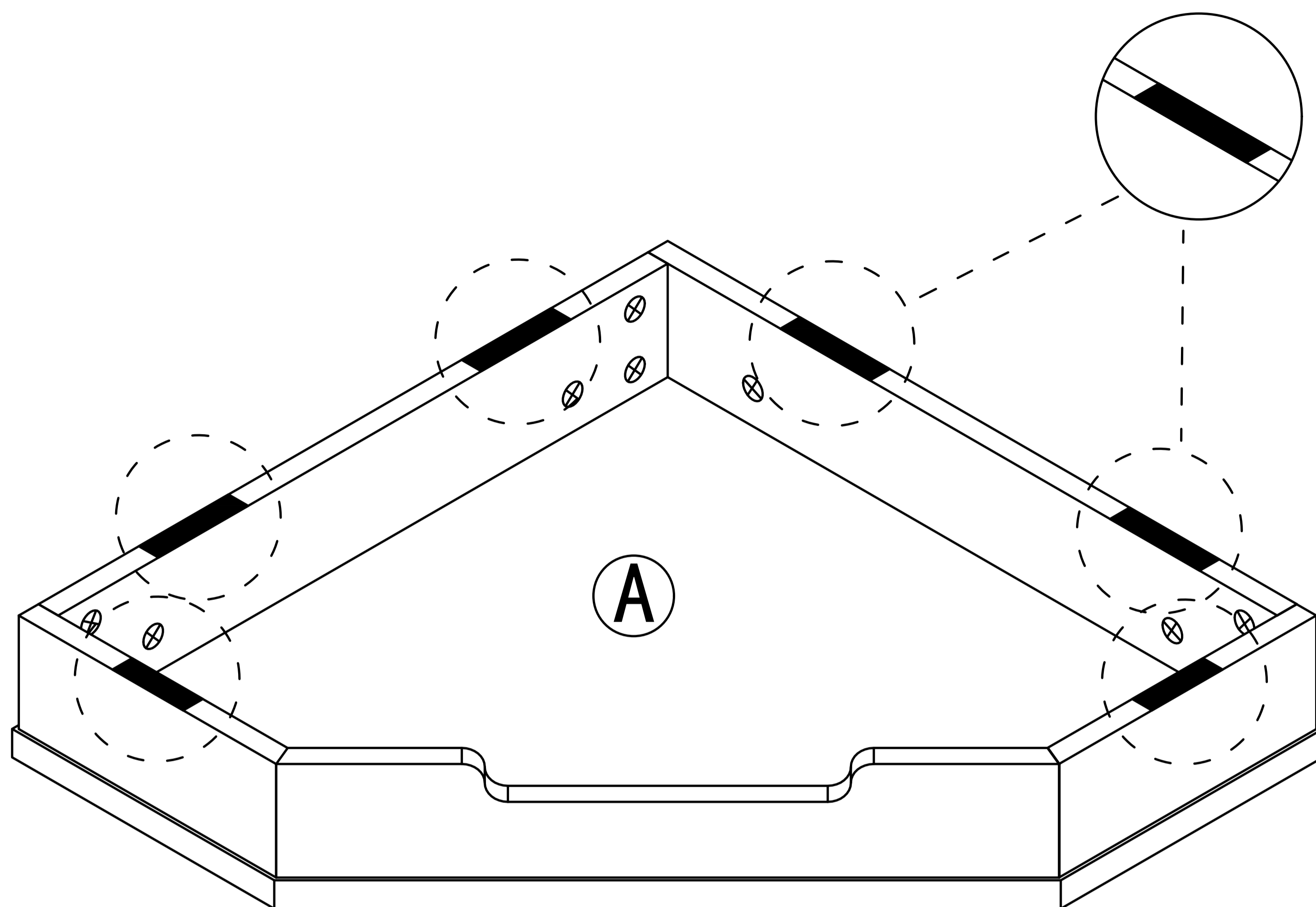


Step 8

3

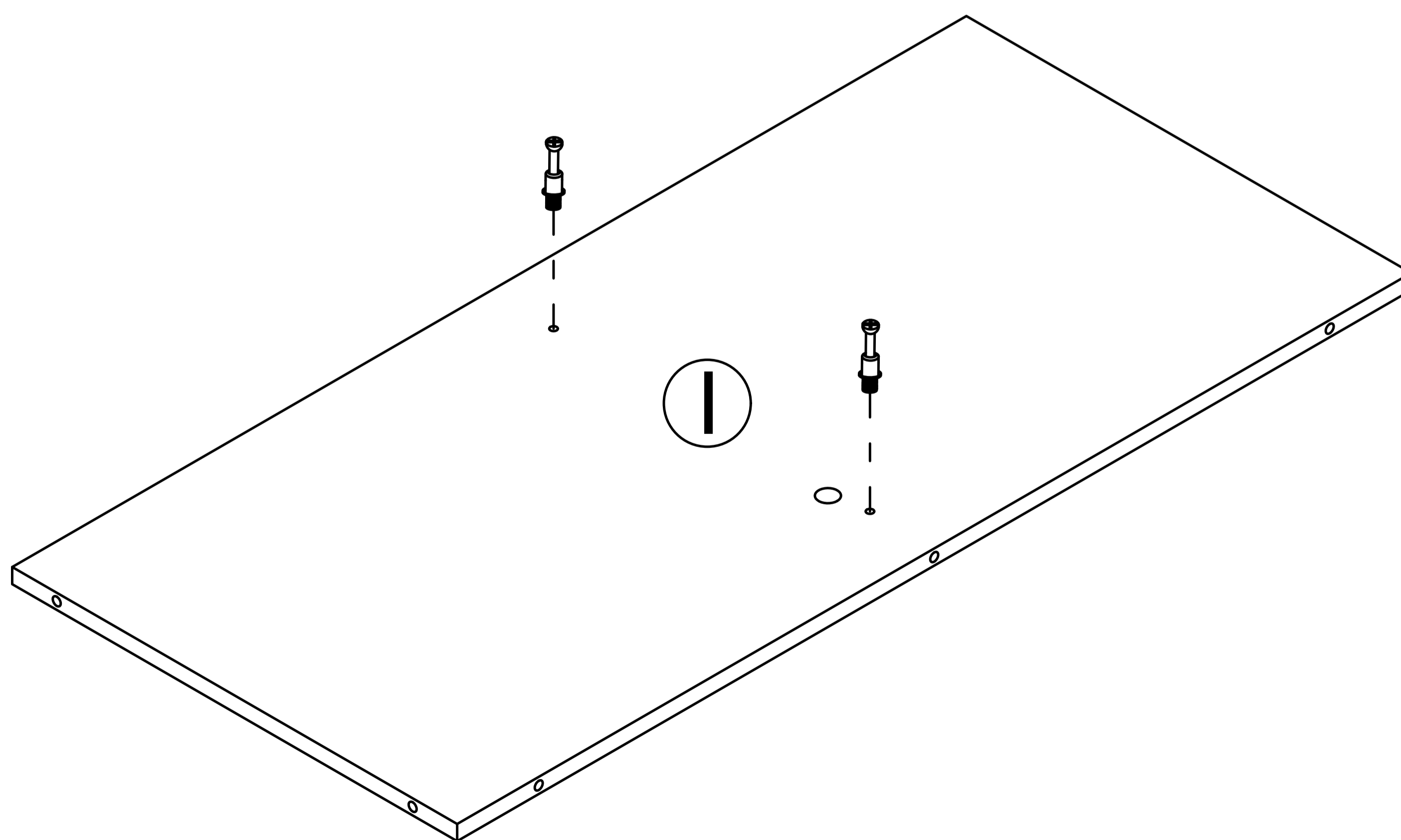
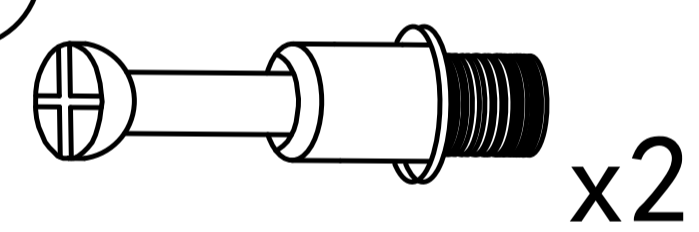


Tear off release paper and stick the black foot pad on the board



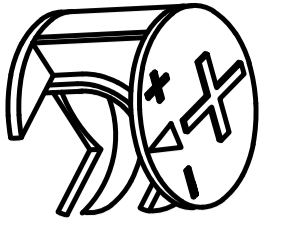
Step 9

1



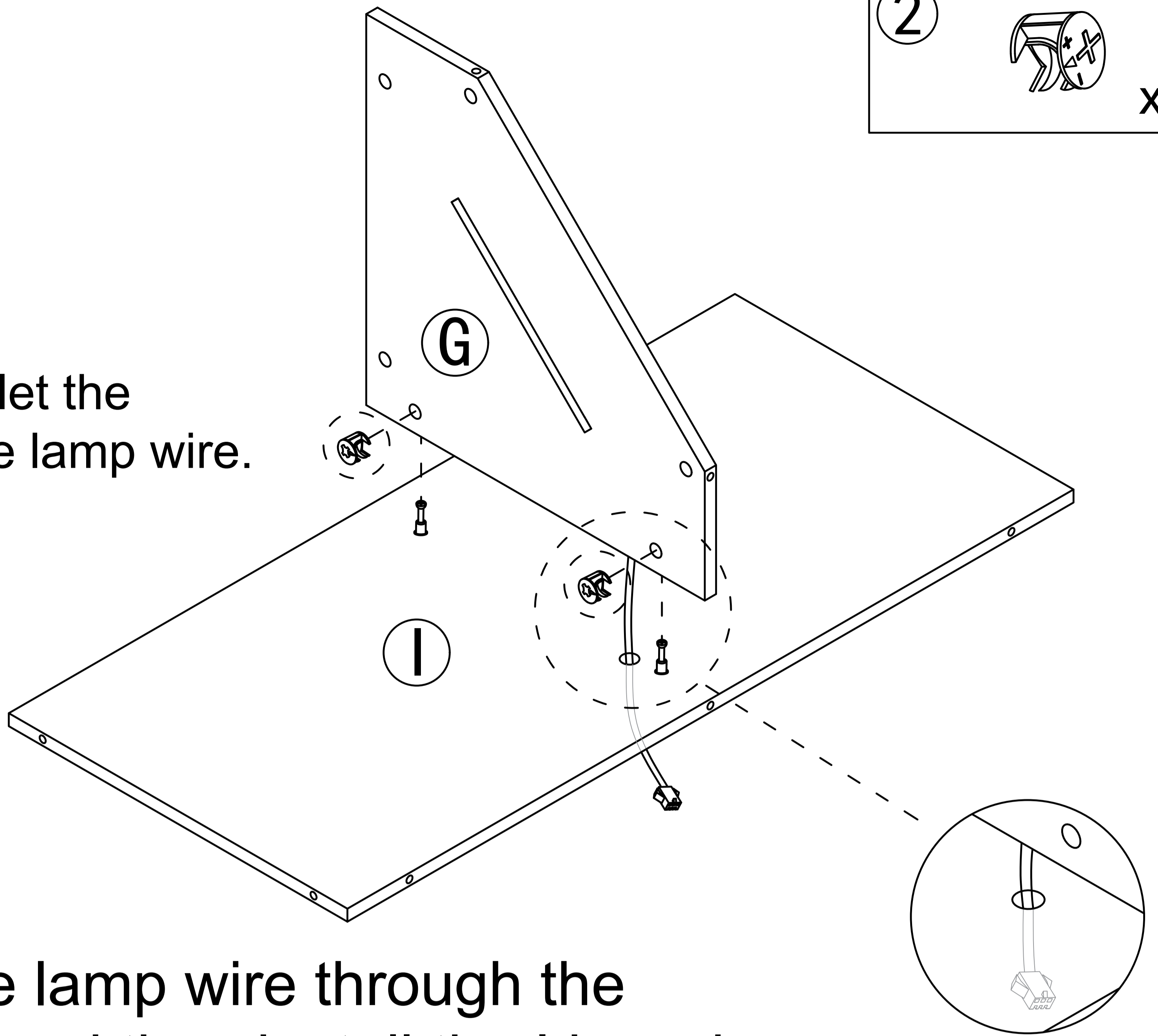
Step 10

2



x2

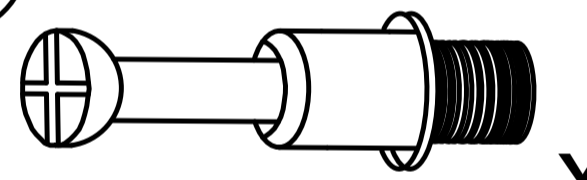
Attention: Don't let the I-board press the lamp wire.



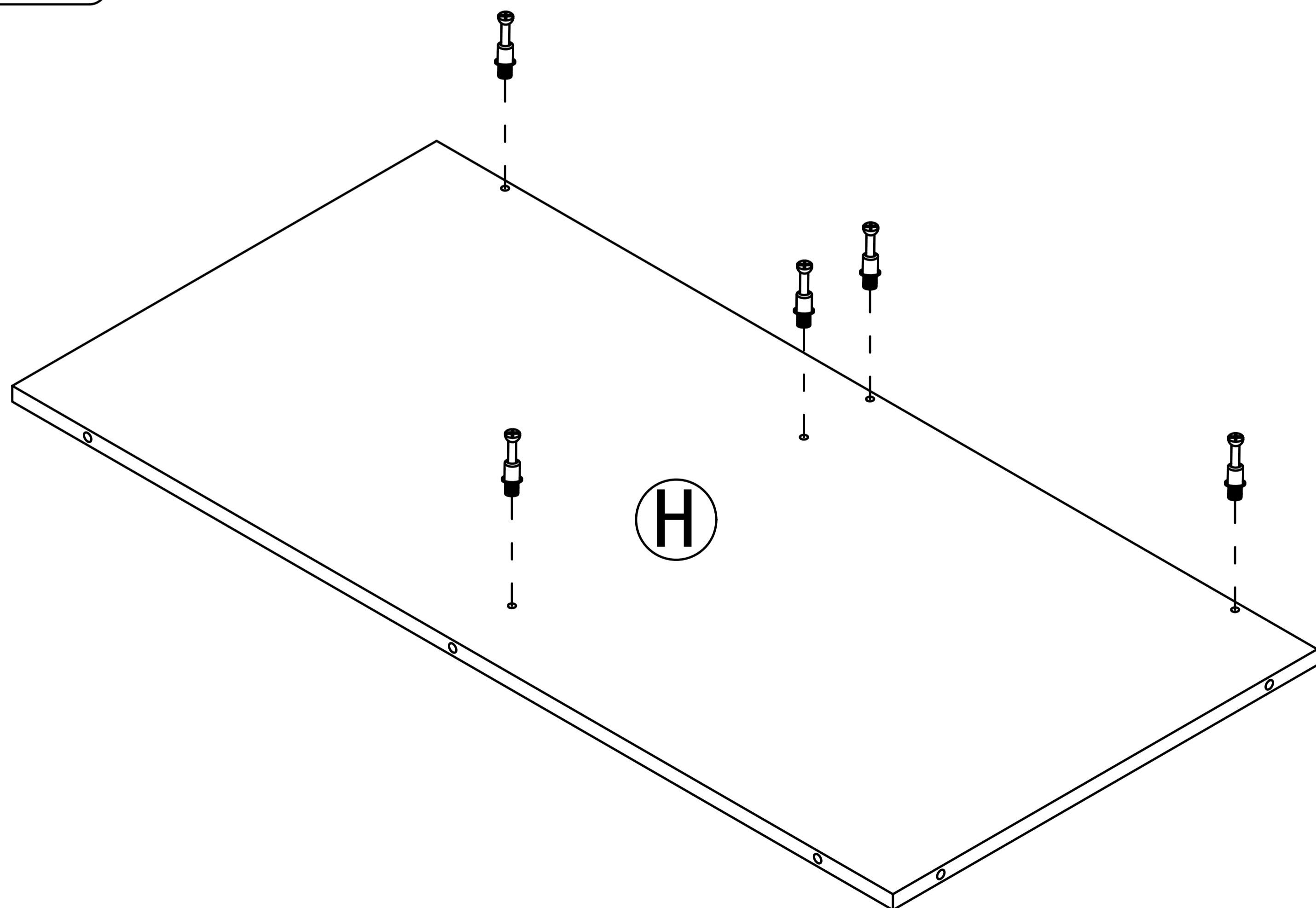
Note: pass the lamp wire through the through hole, and then install the I board.

Step 11

1

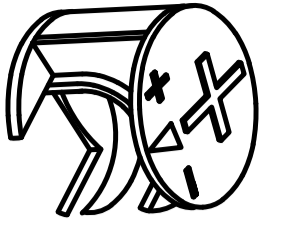


x5

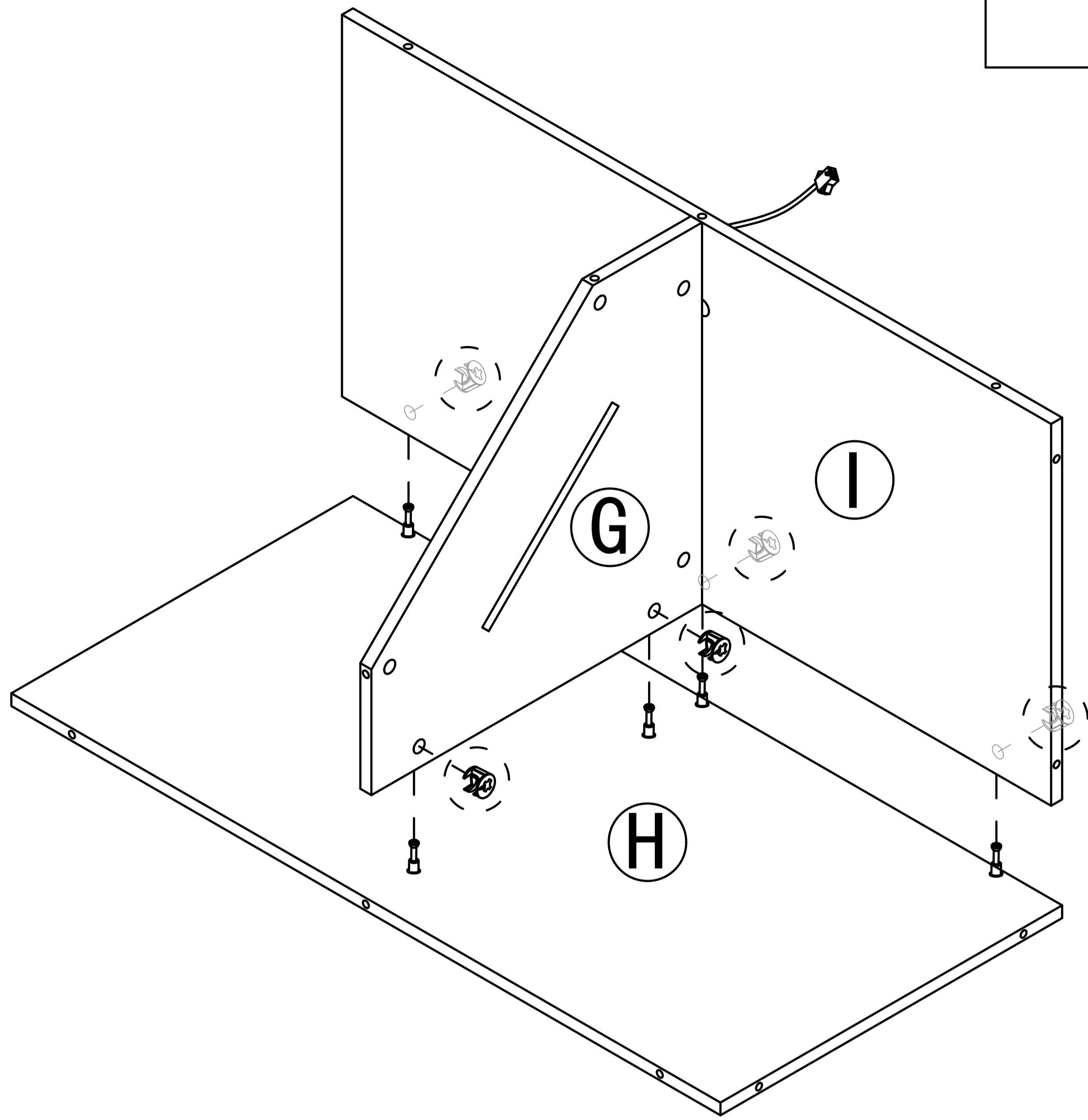


Step 12

2

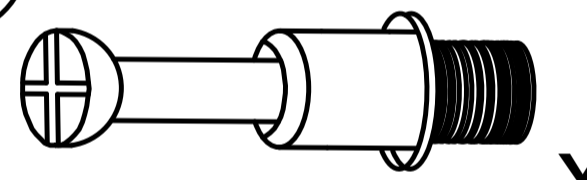


x5

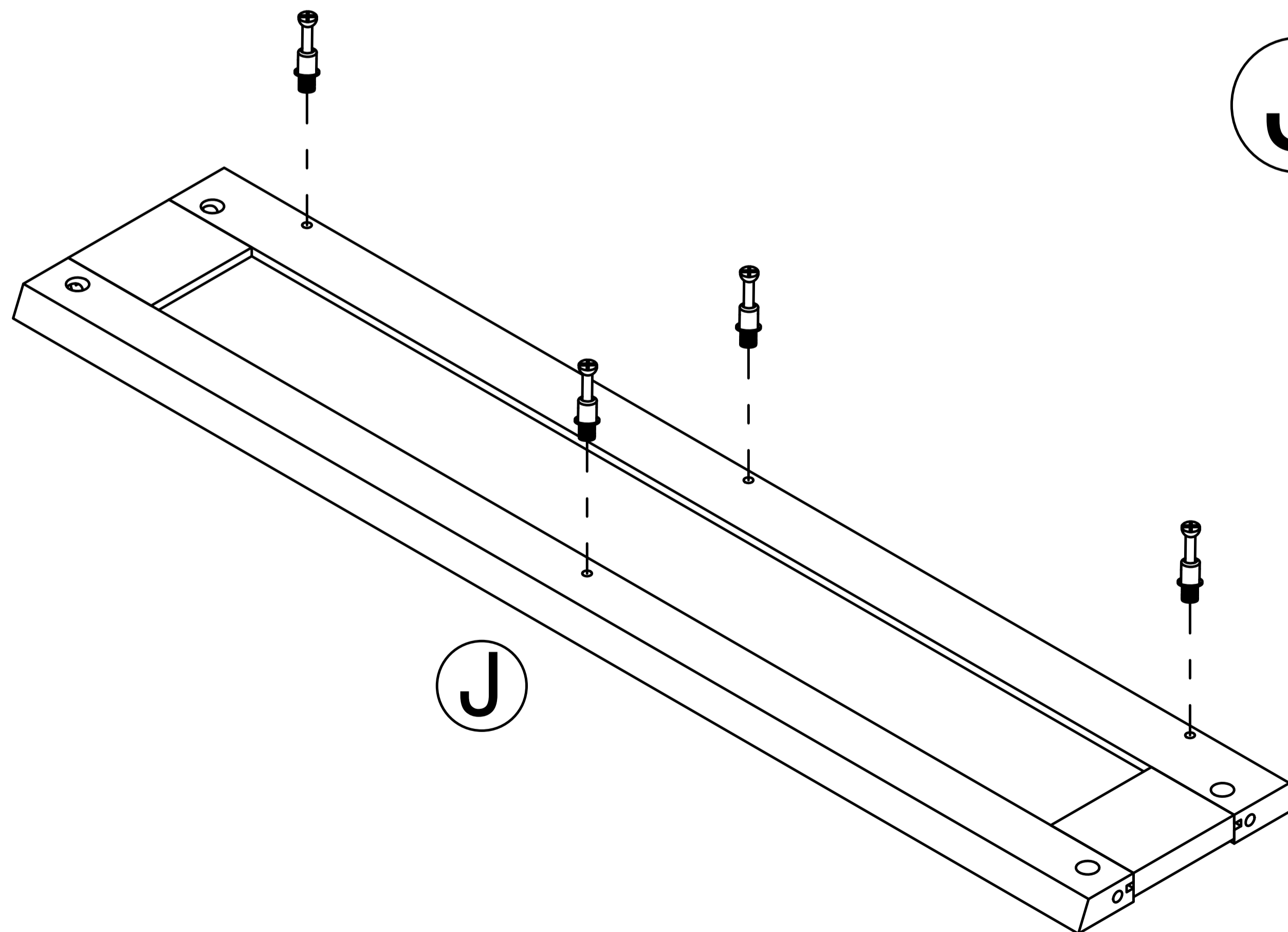


Step 13

1



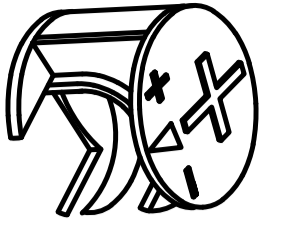
x8



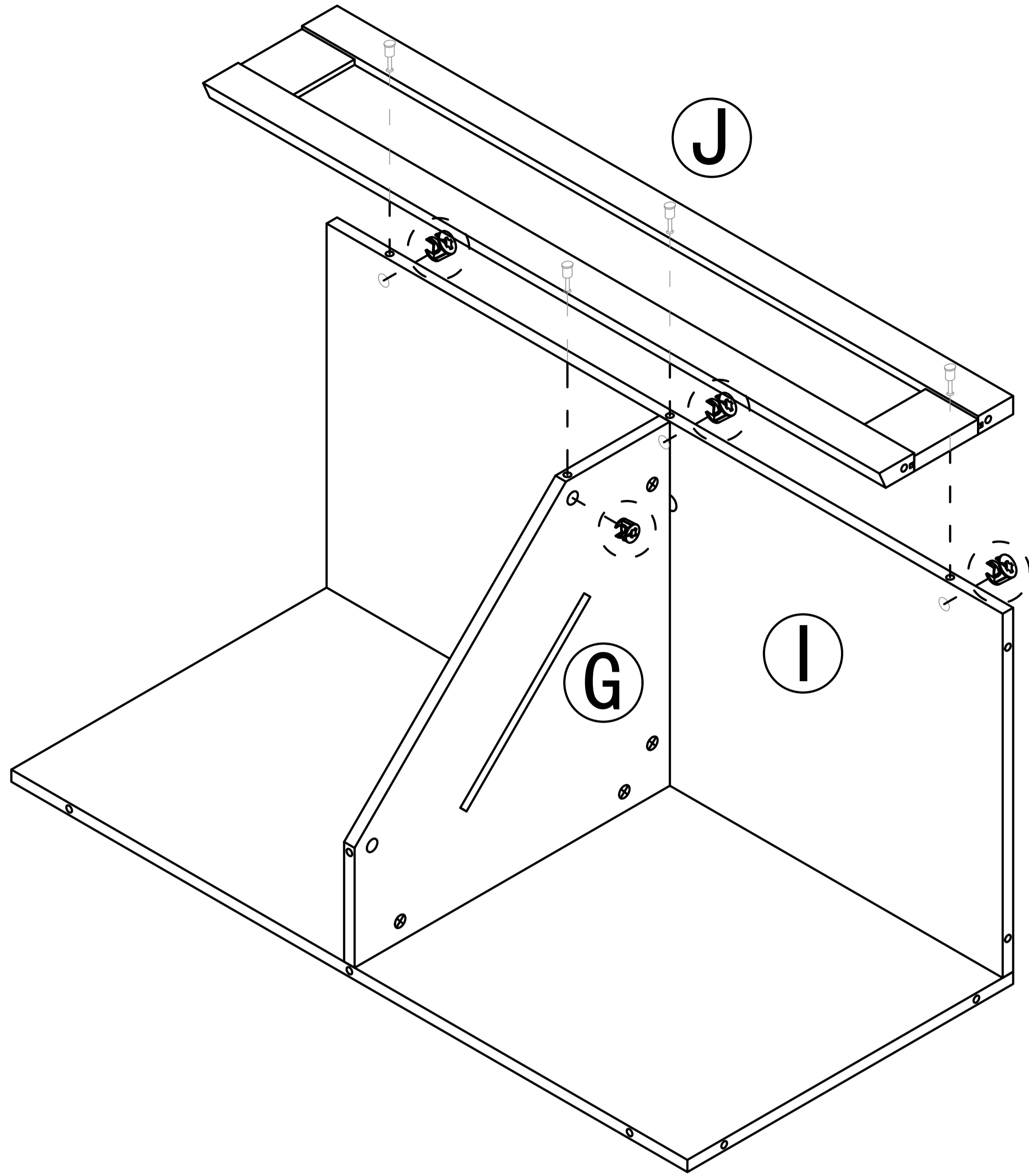
J x2

Step 14

2

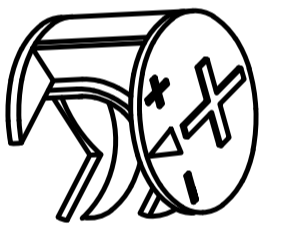


x4

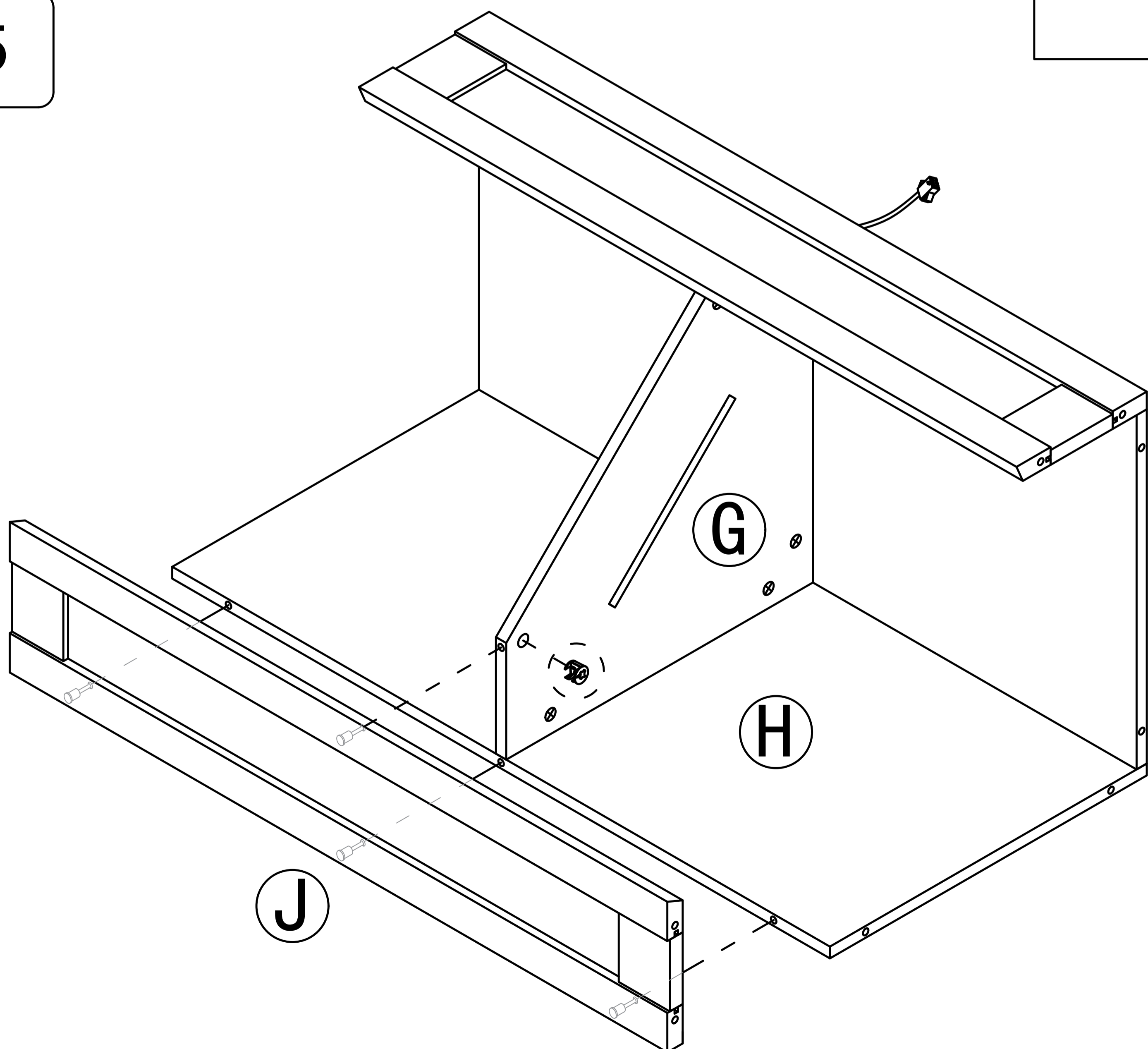


Step 15

2

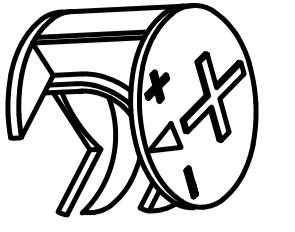


x1

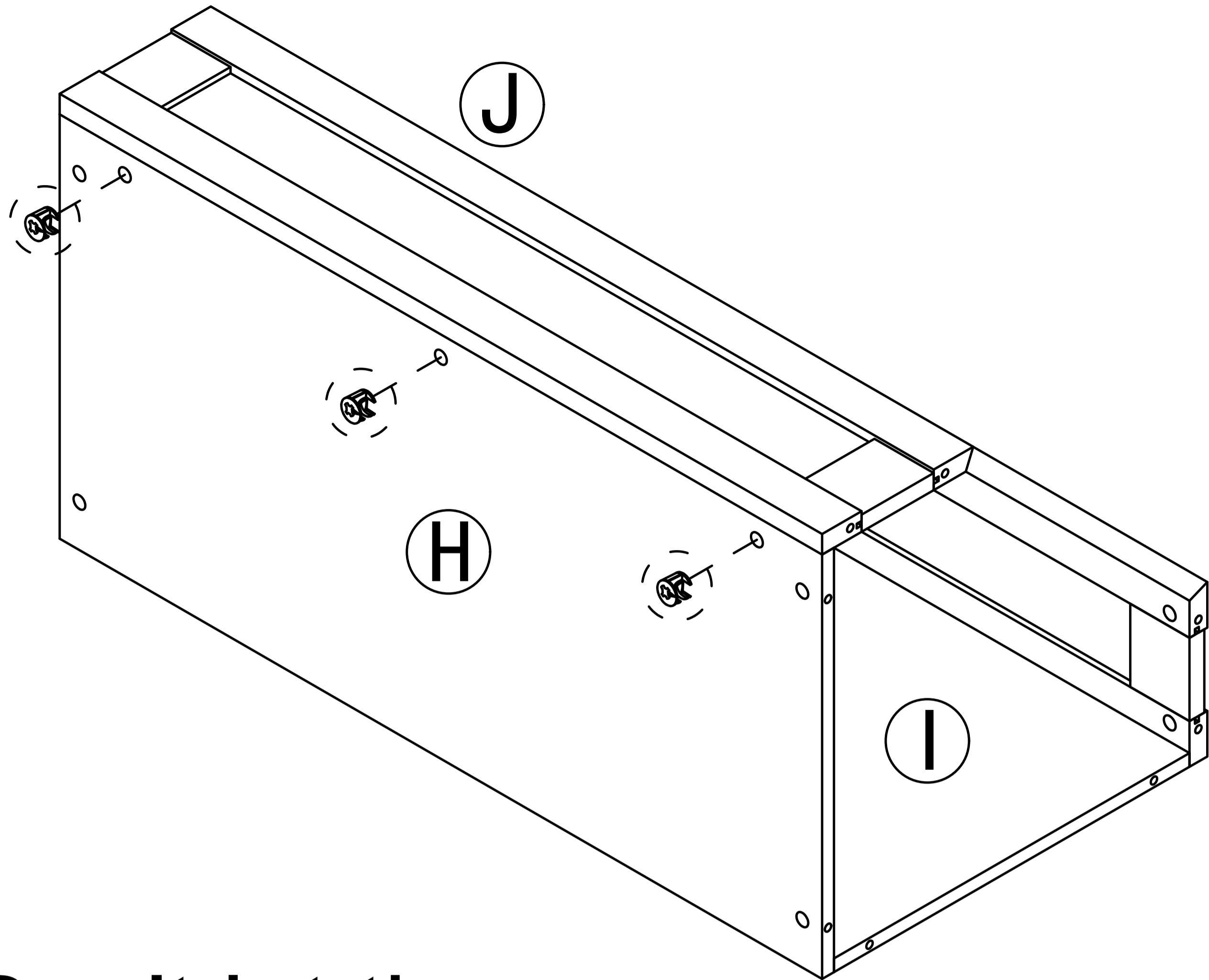


Step 16

2



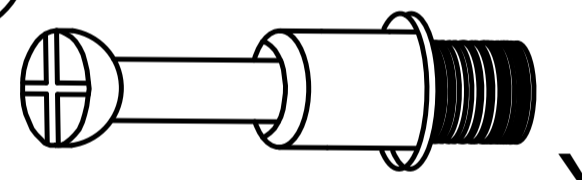
x3



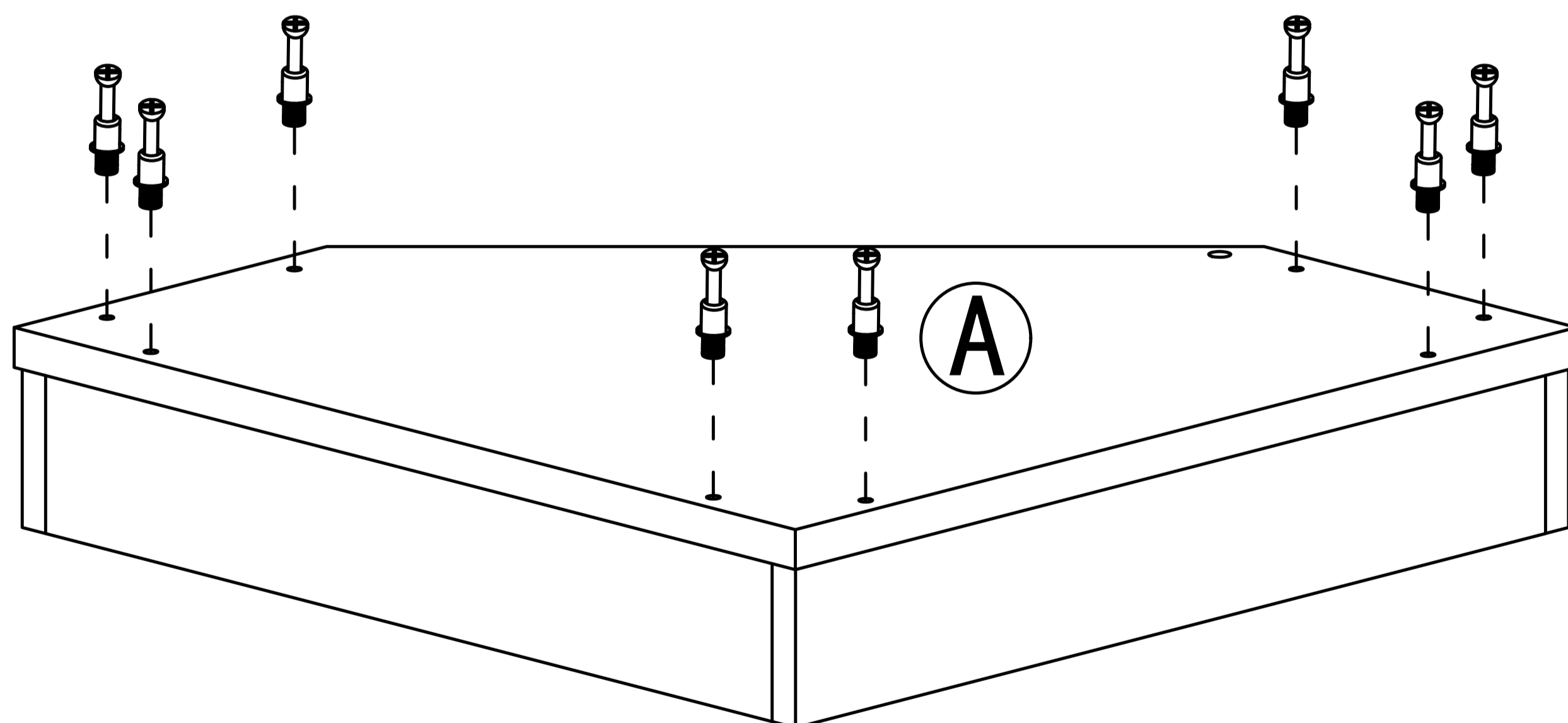
Attention: Don't let the I-board press the lamp wire.

Step 17

1

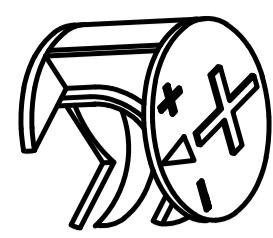


x8

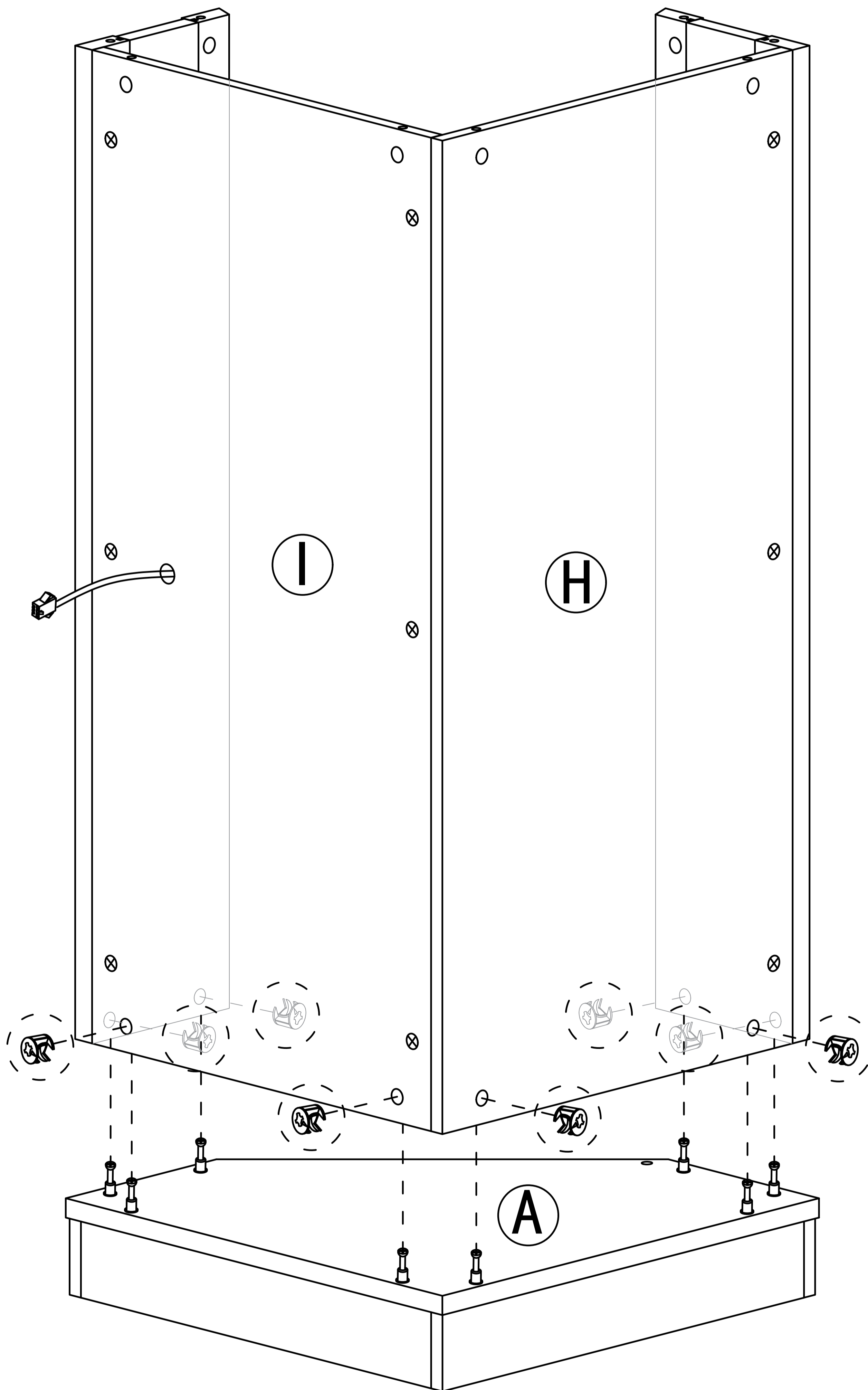


Step 18

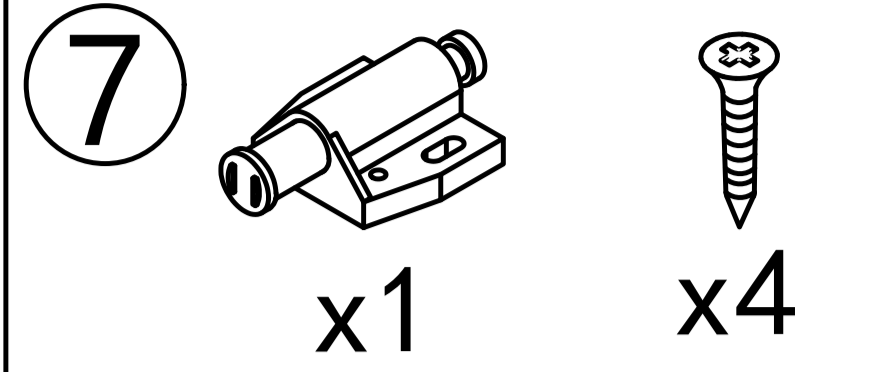
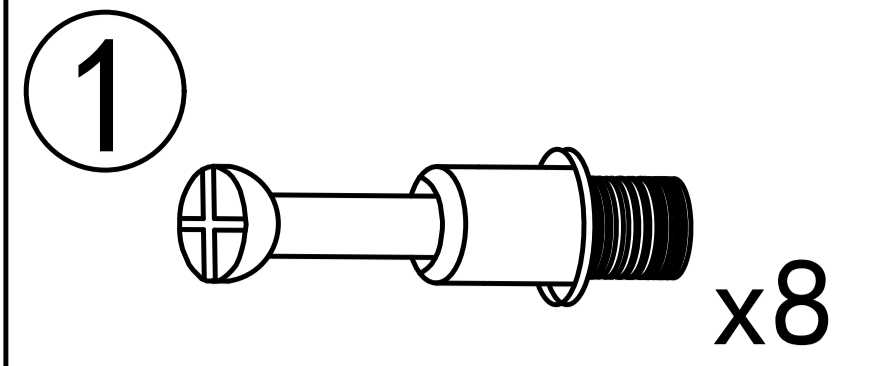
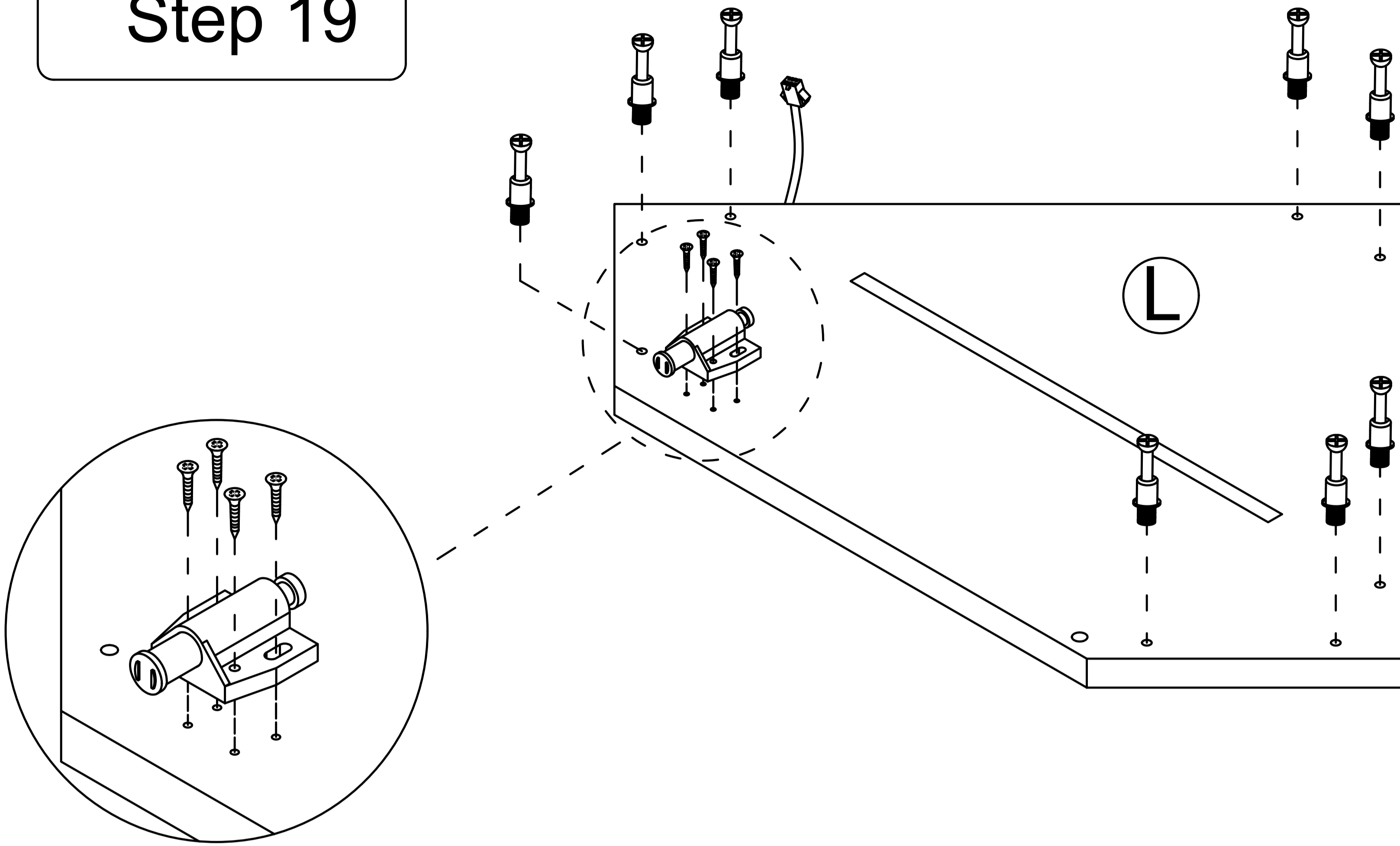
2



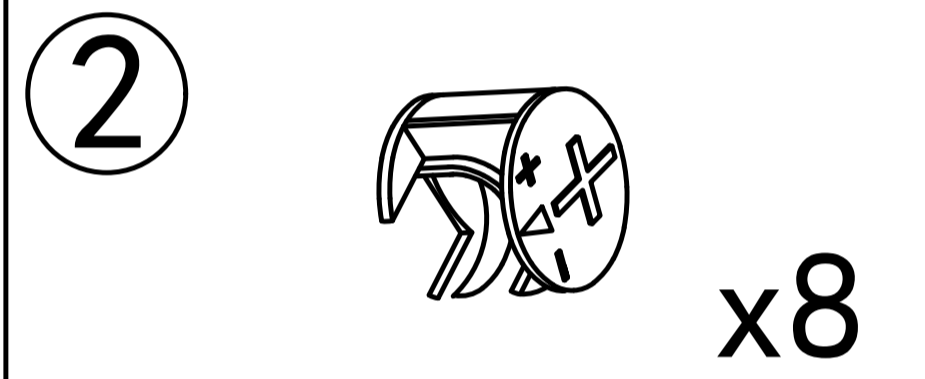
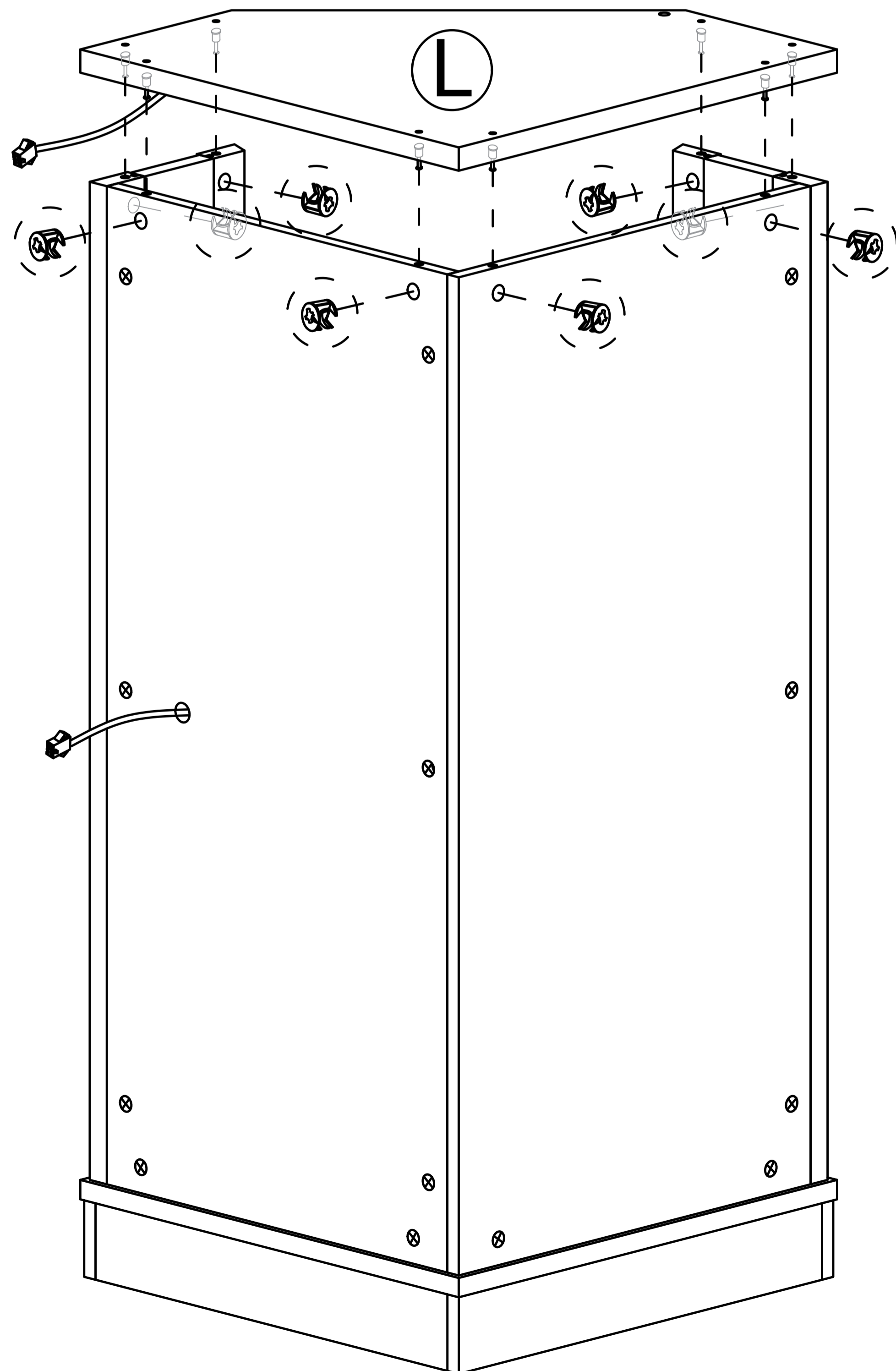
x8



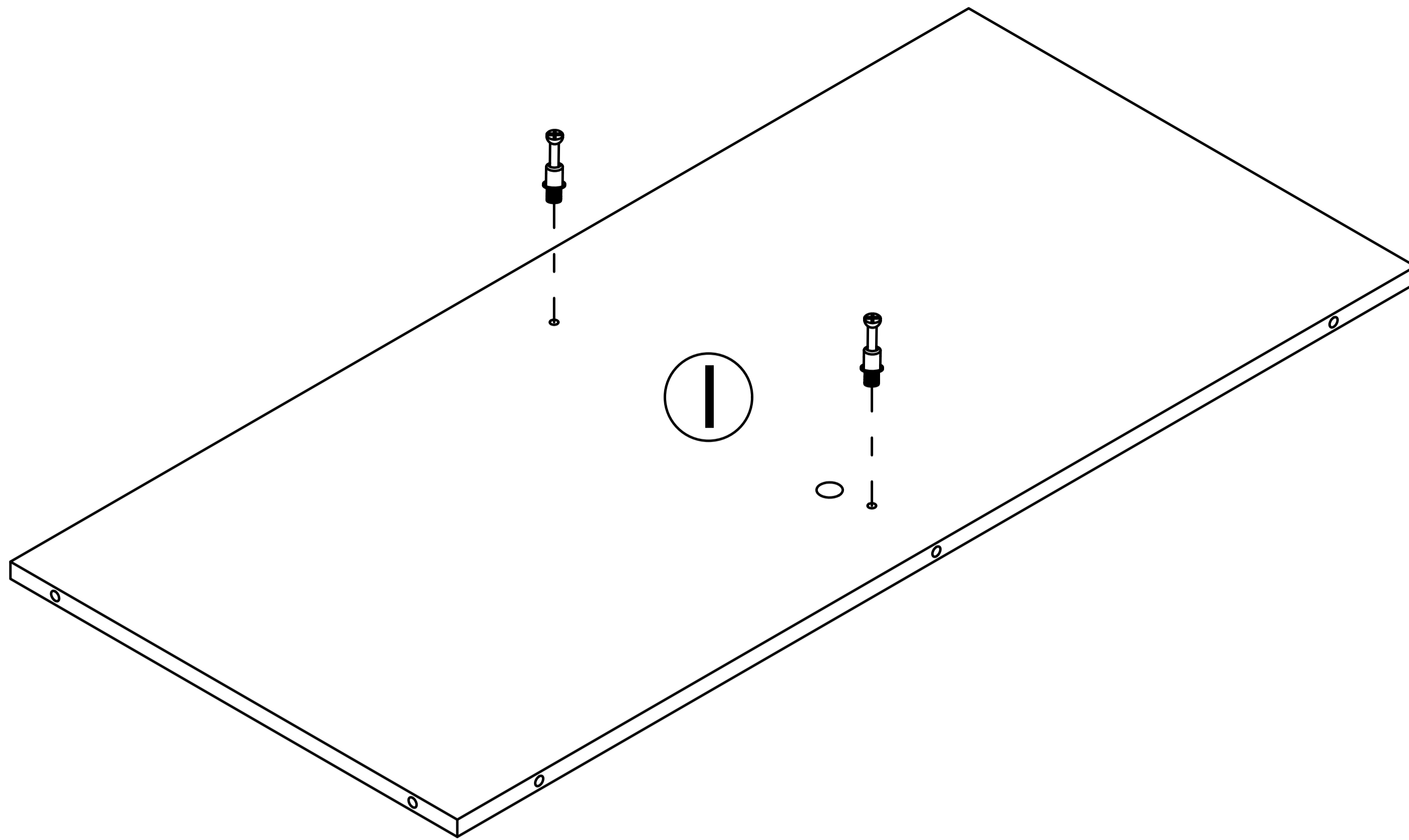
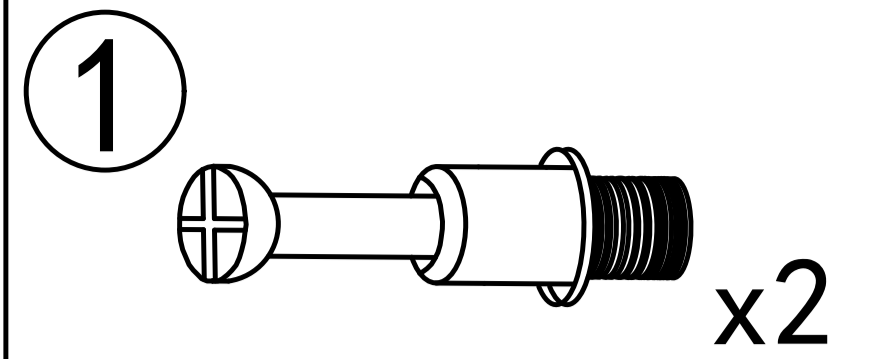
Step 19



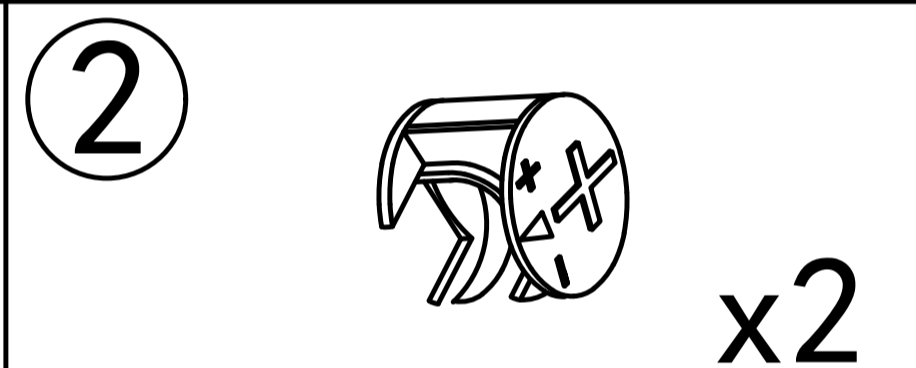
Step 20



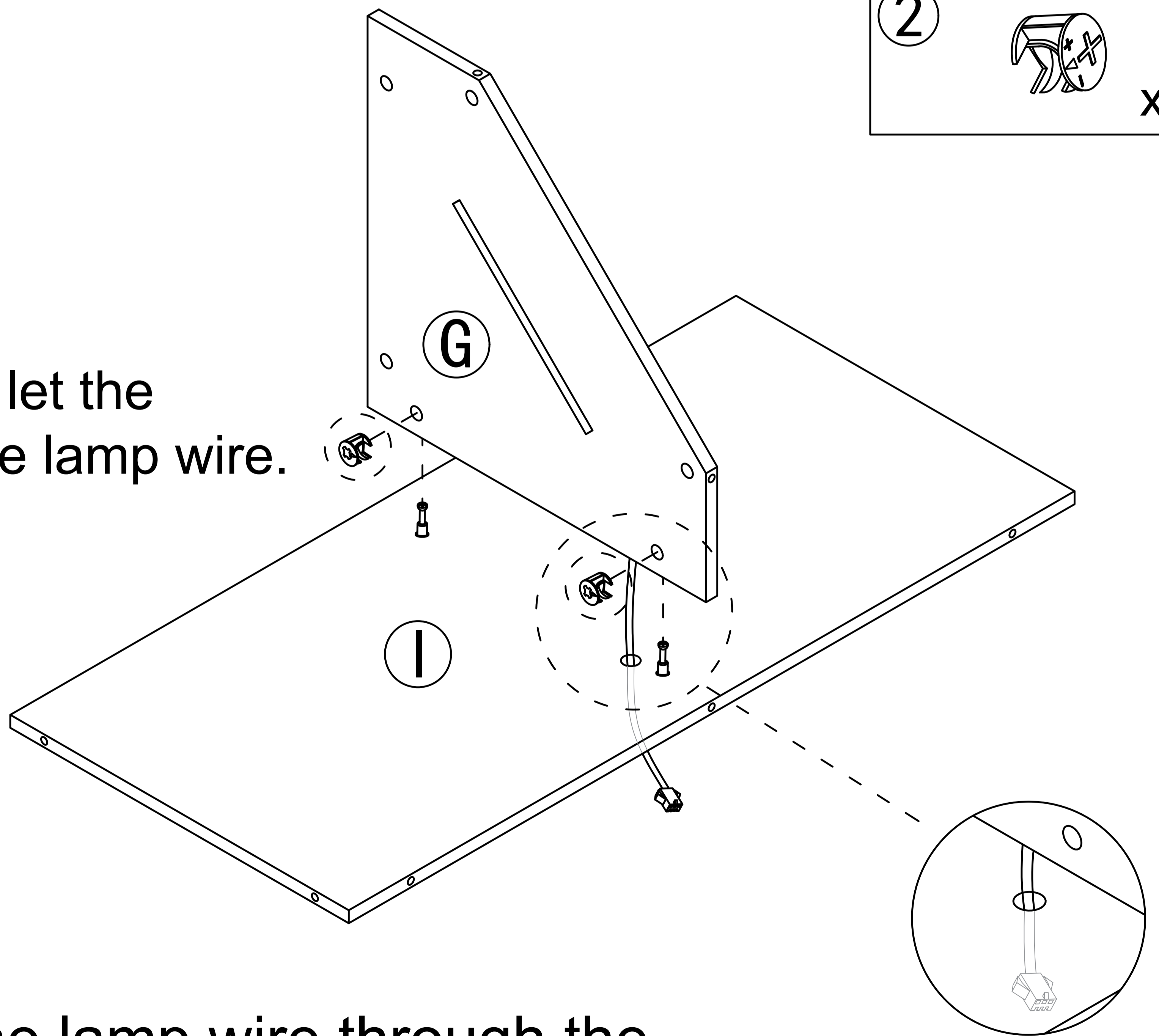
Step 21



Step 22

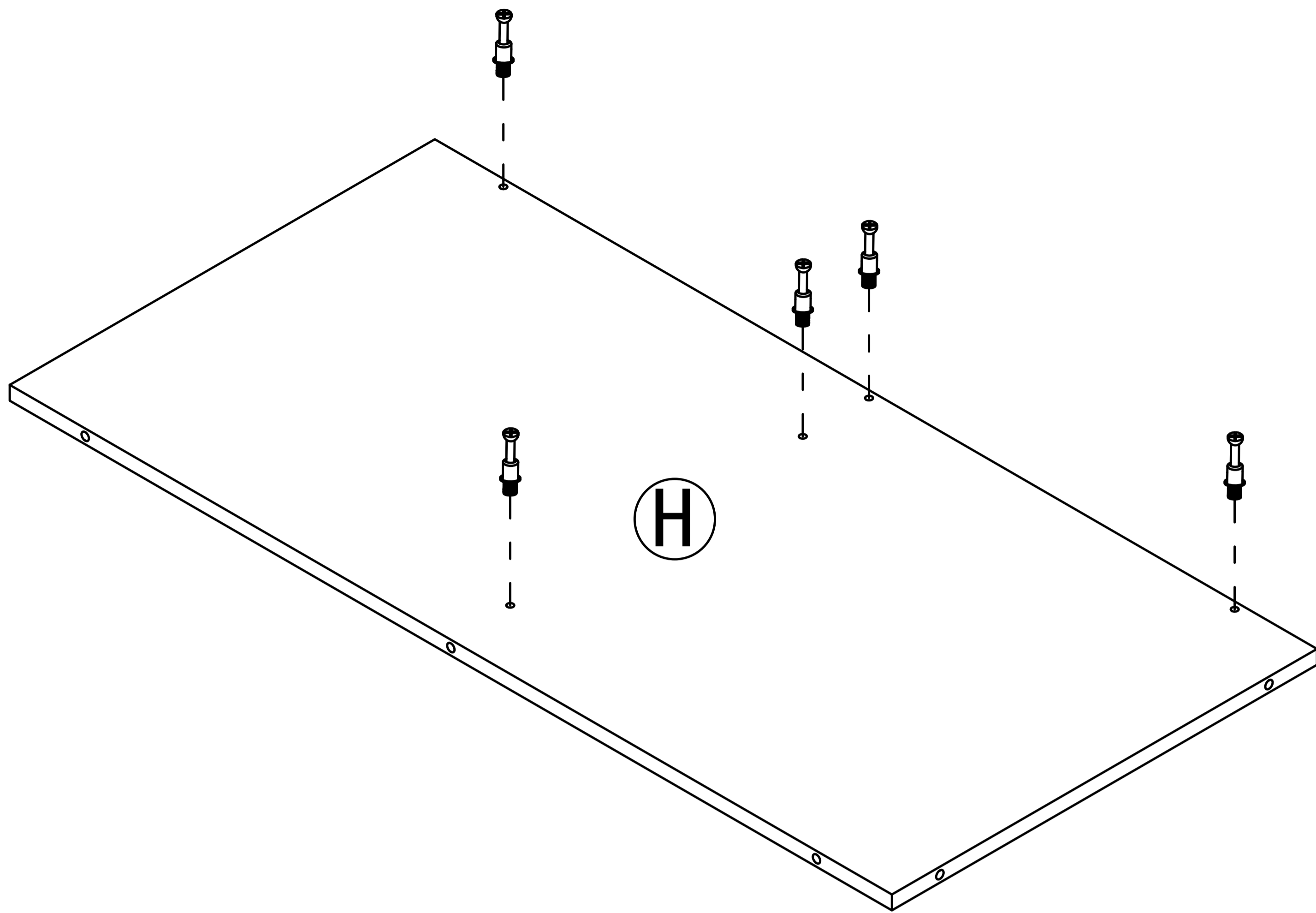
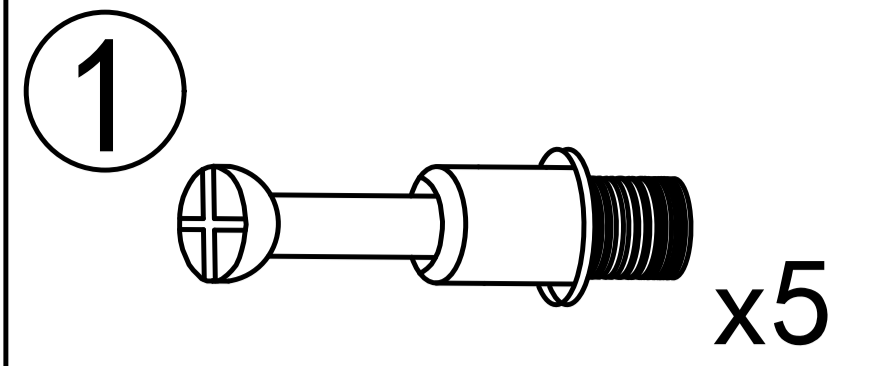


Attention: Don't let the I-board press the lamp wire.

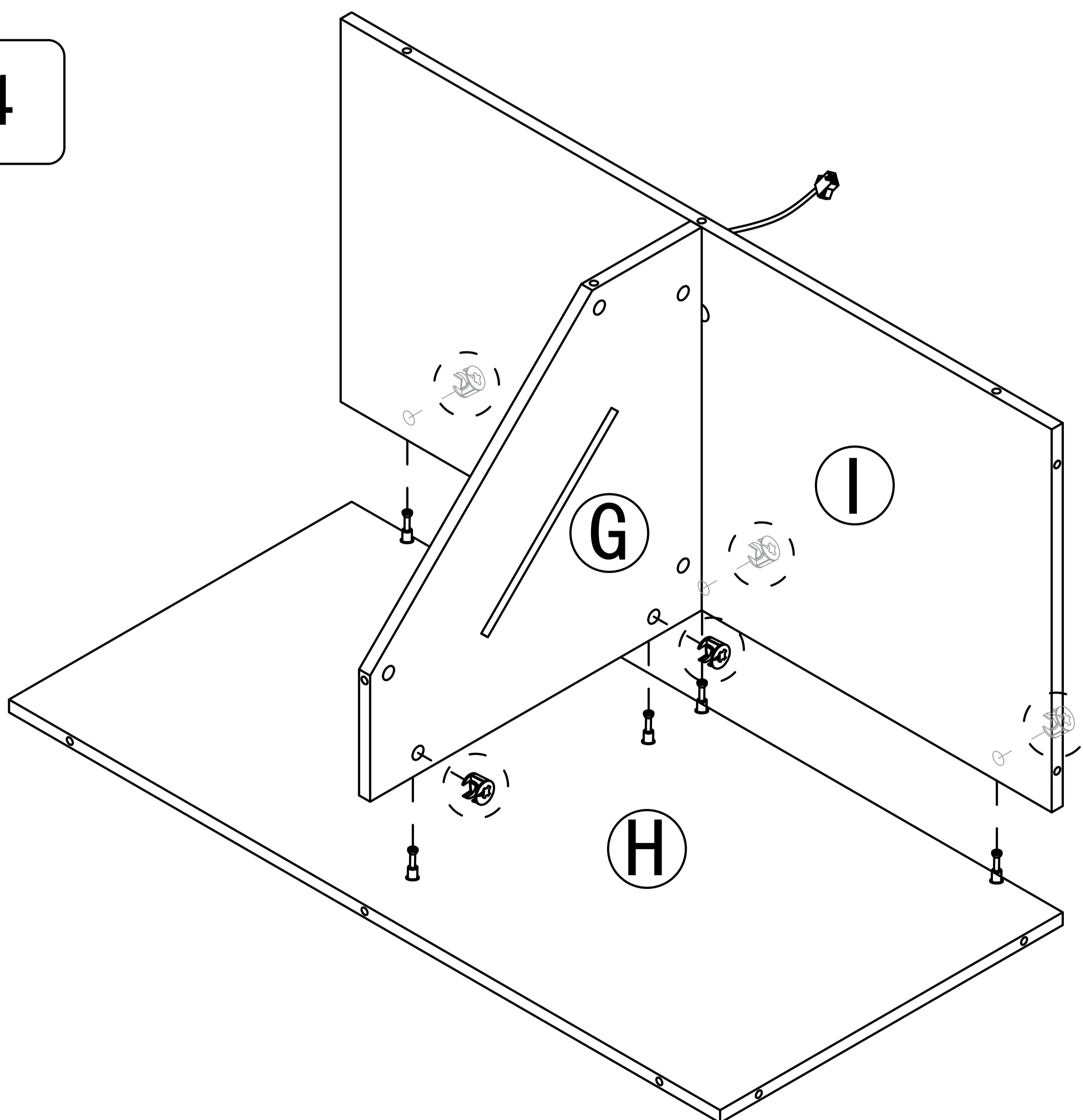
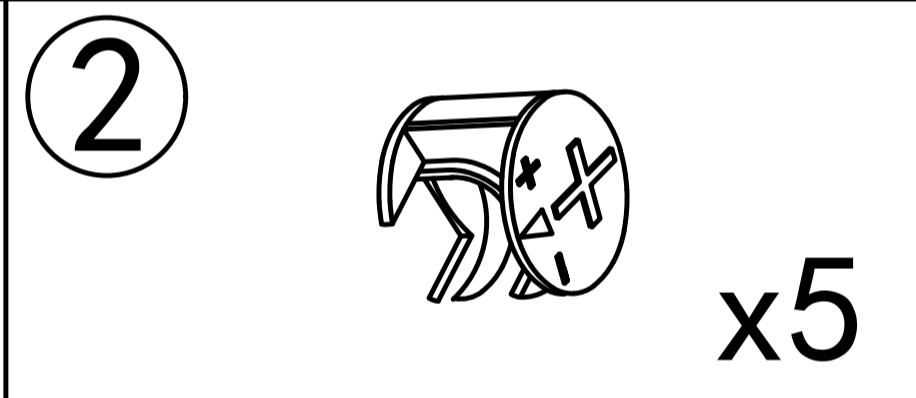


Note: pass the lamp wire through the through hole, and then install the I board.

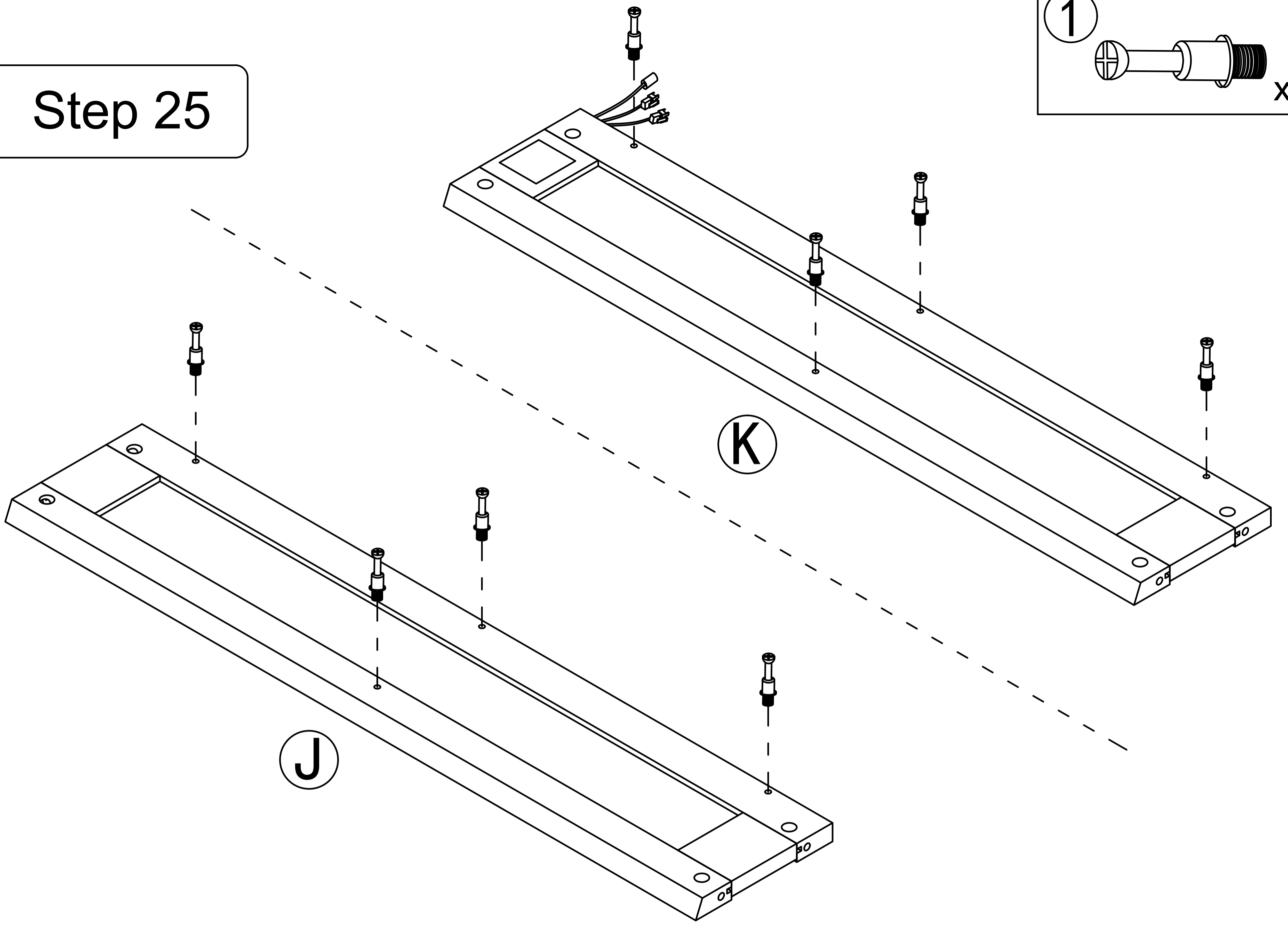
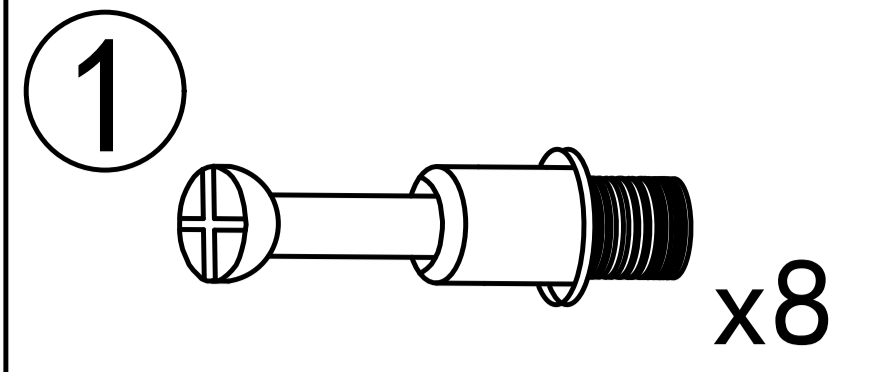
Step 23



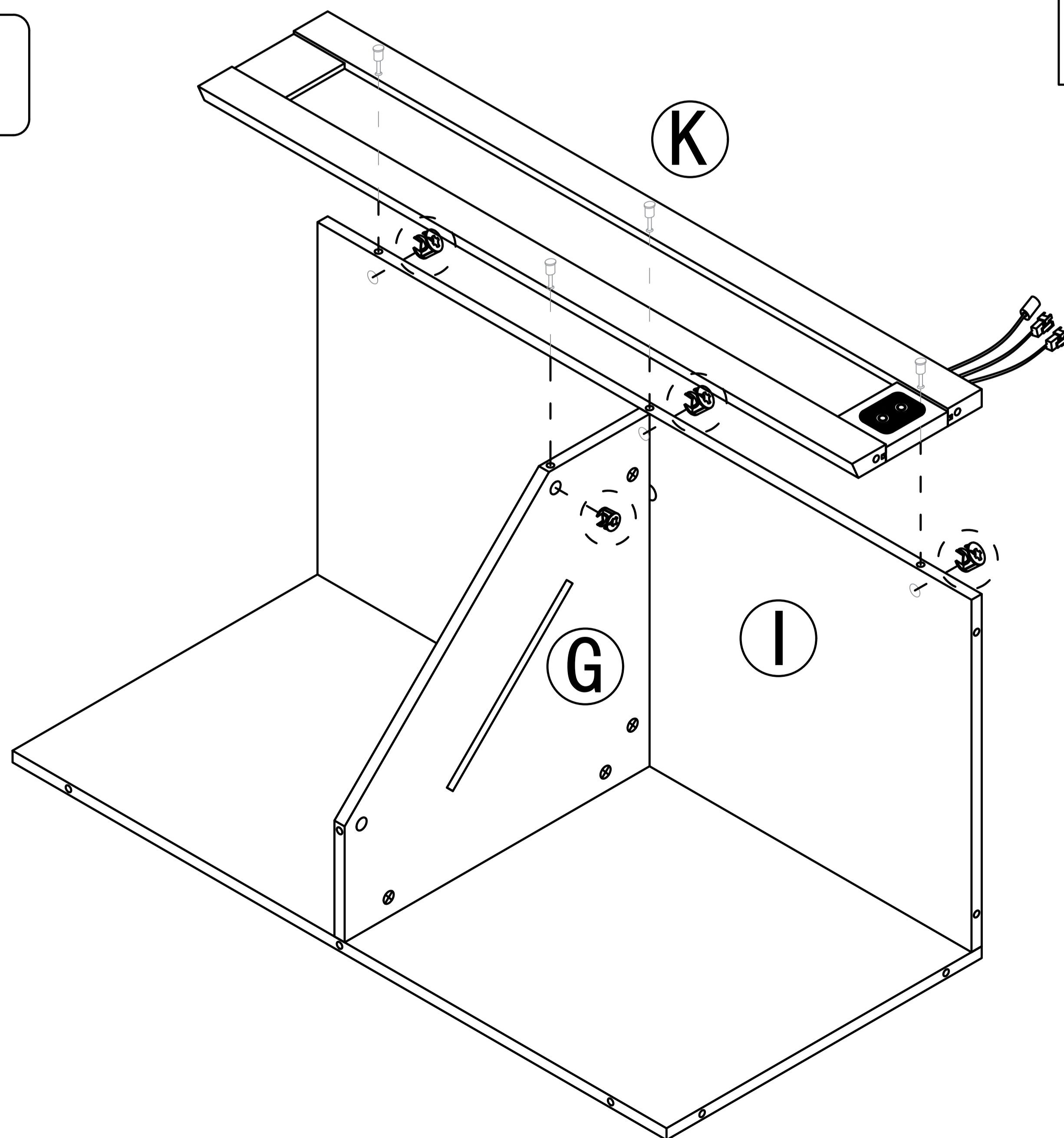
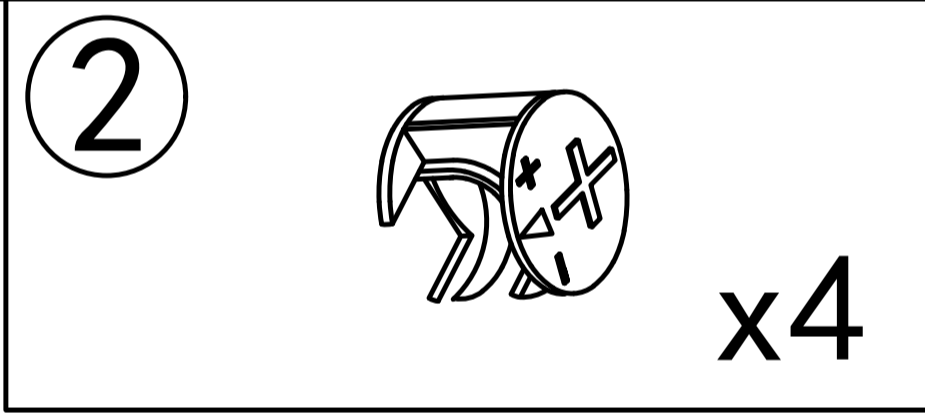
Step 24



Step 25

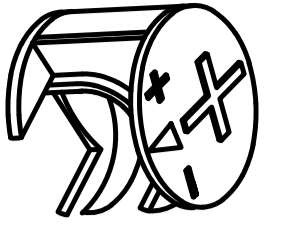


Step 26

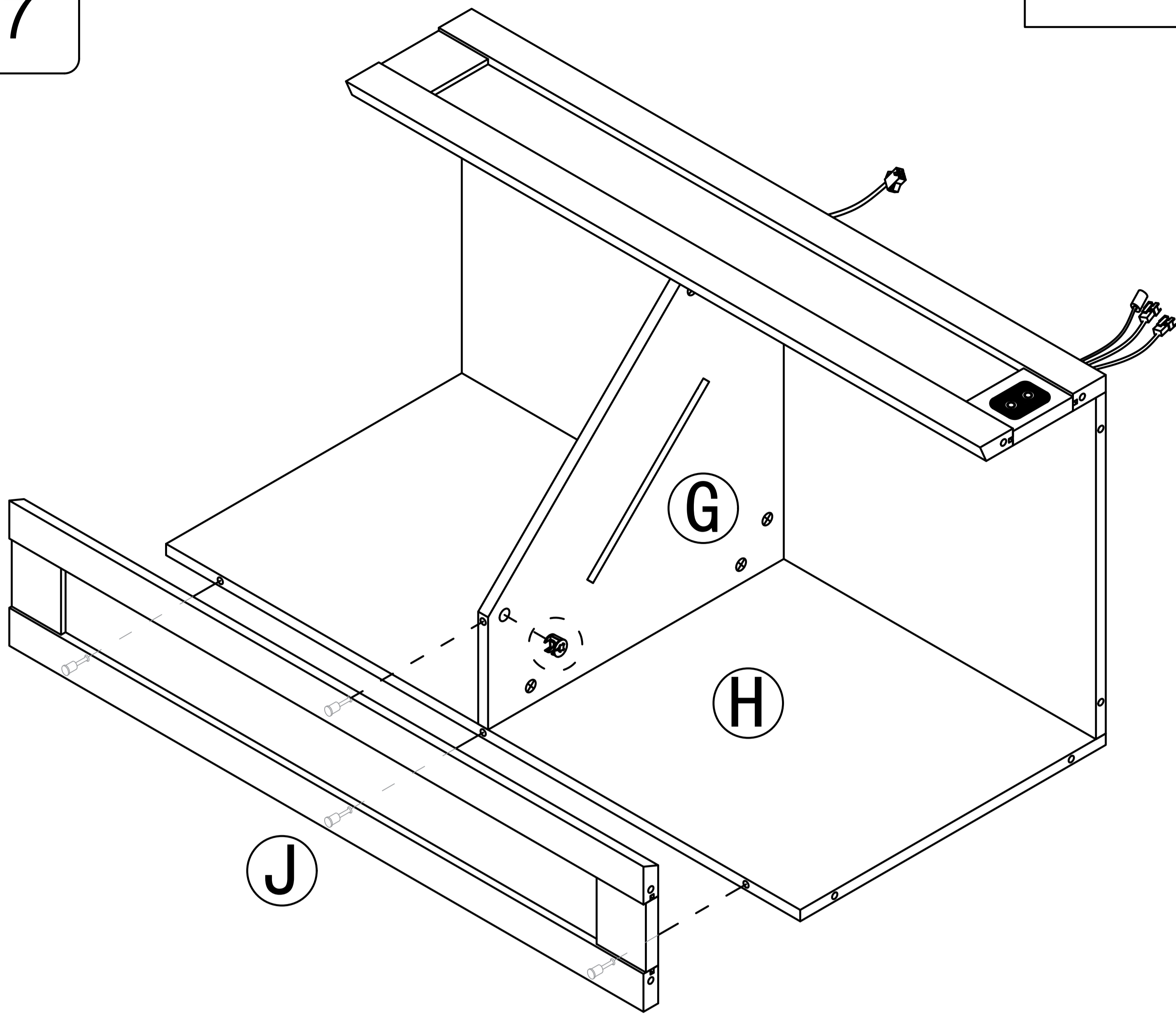


Step 27

2

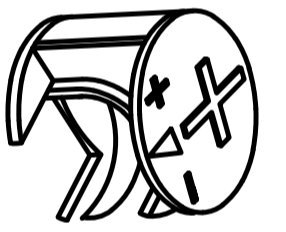


x1

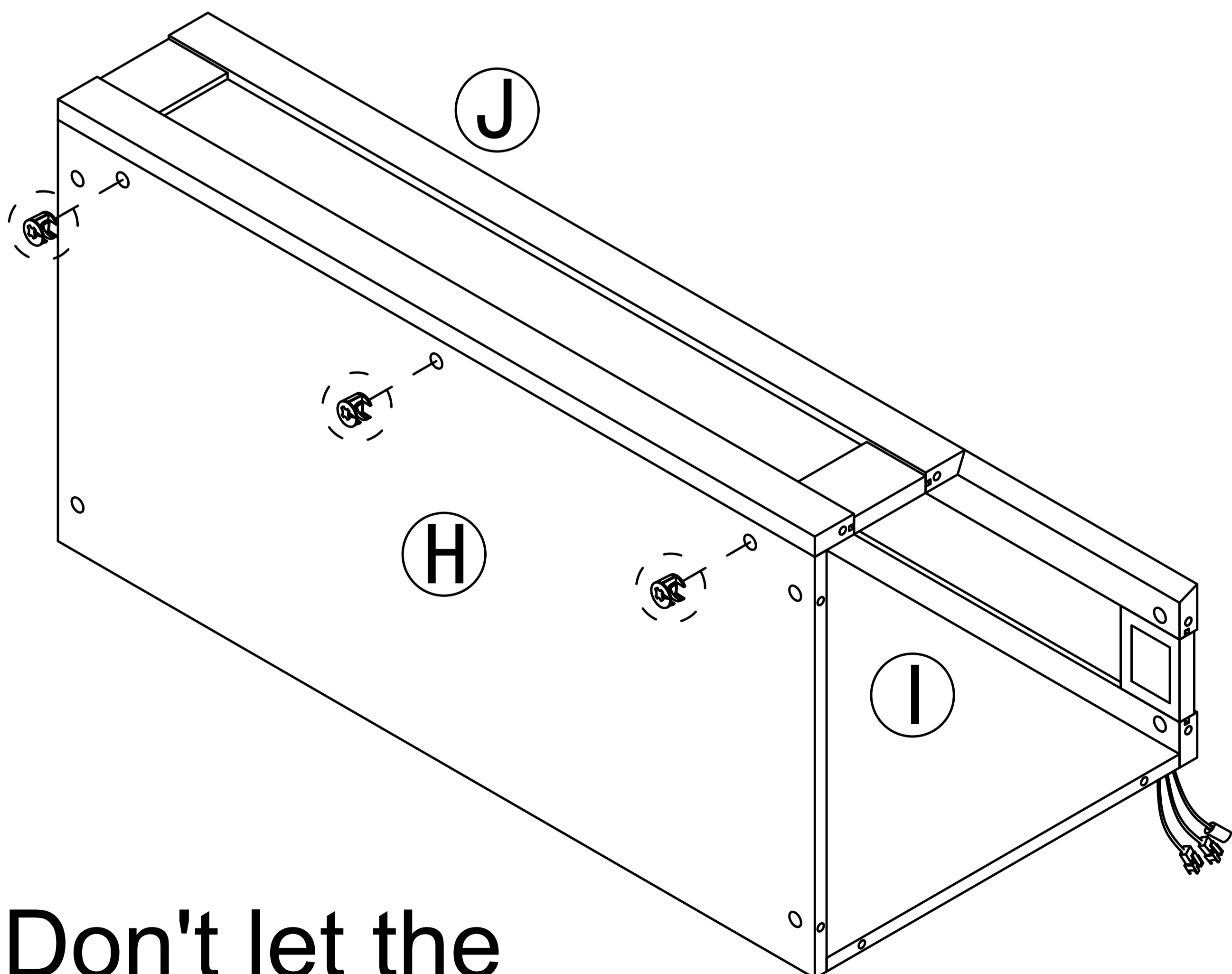


Step 28

2

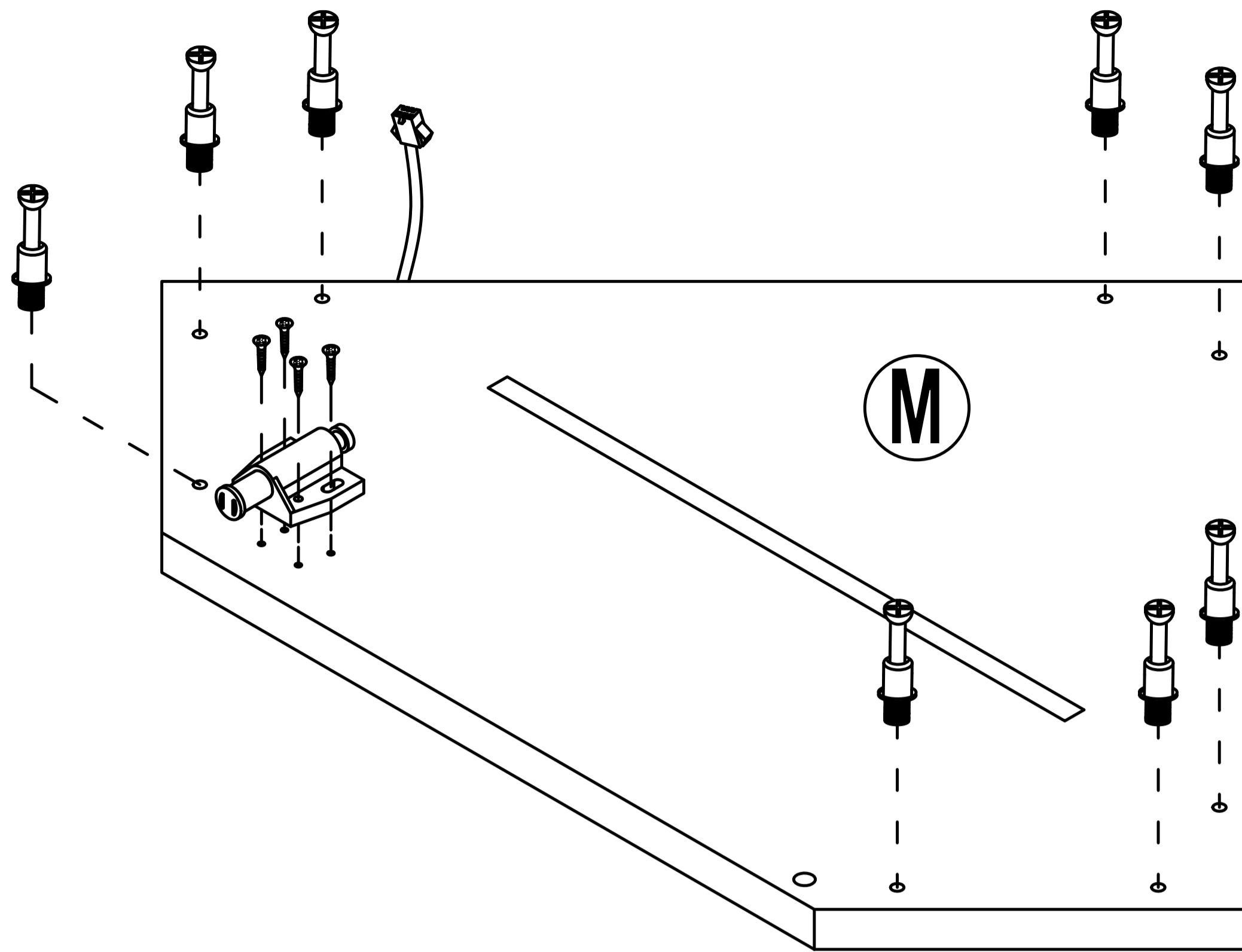


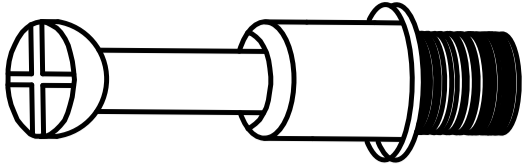
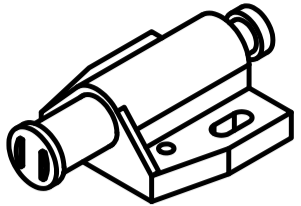
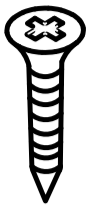
x3



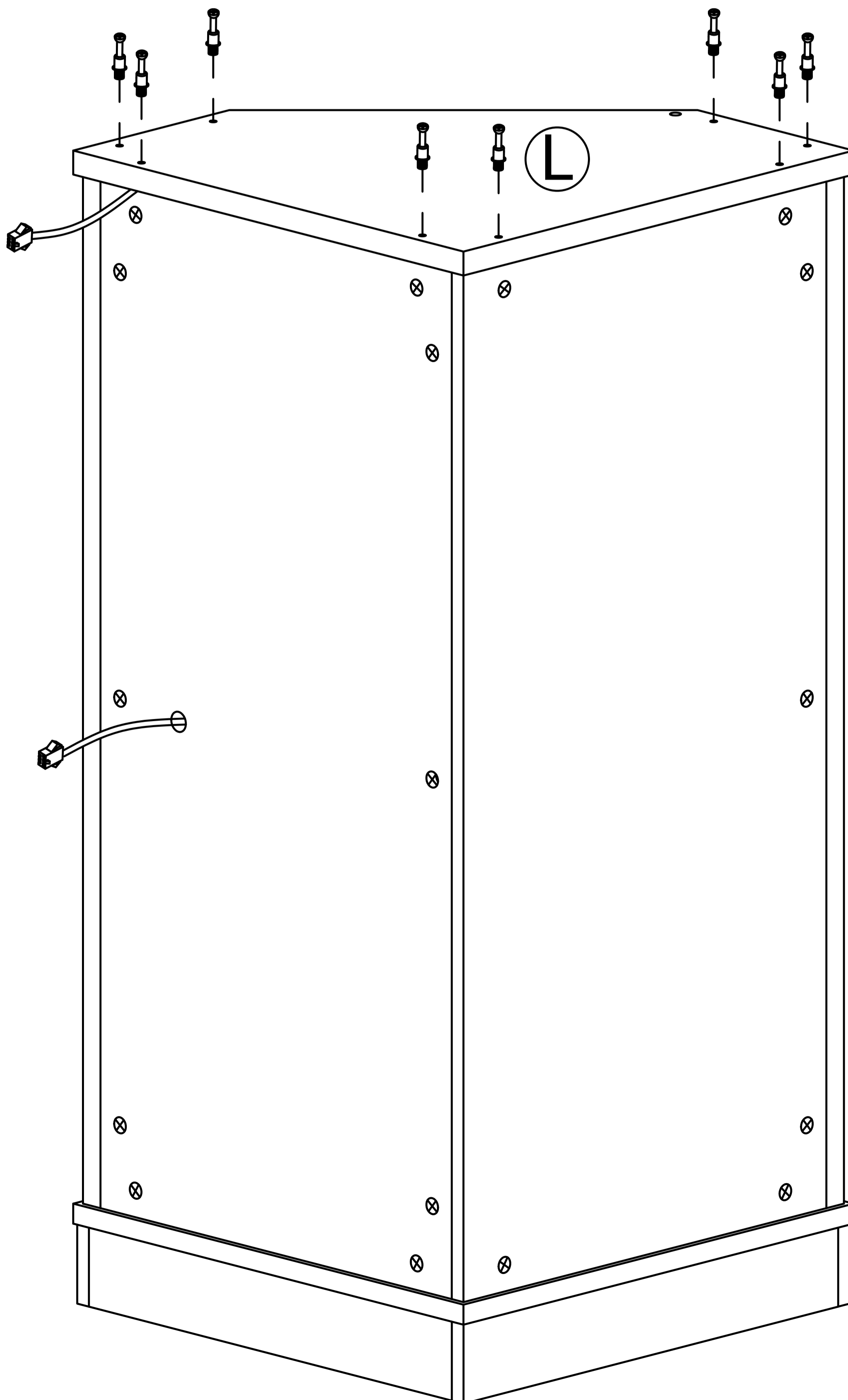
Attention: Don't let the I-board press the lamp wire.

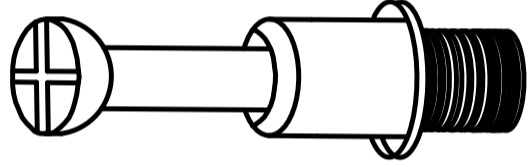
Step 29



- 1  x8
- 7  x1  x4

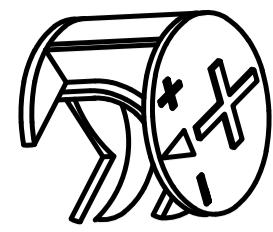
Step 30



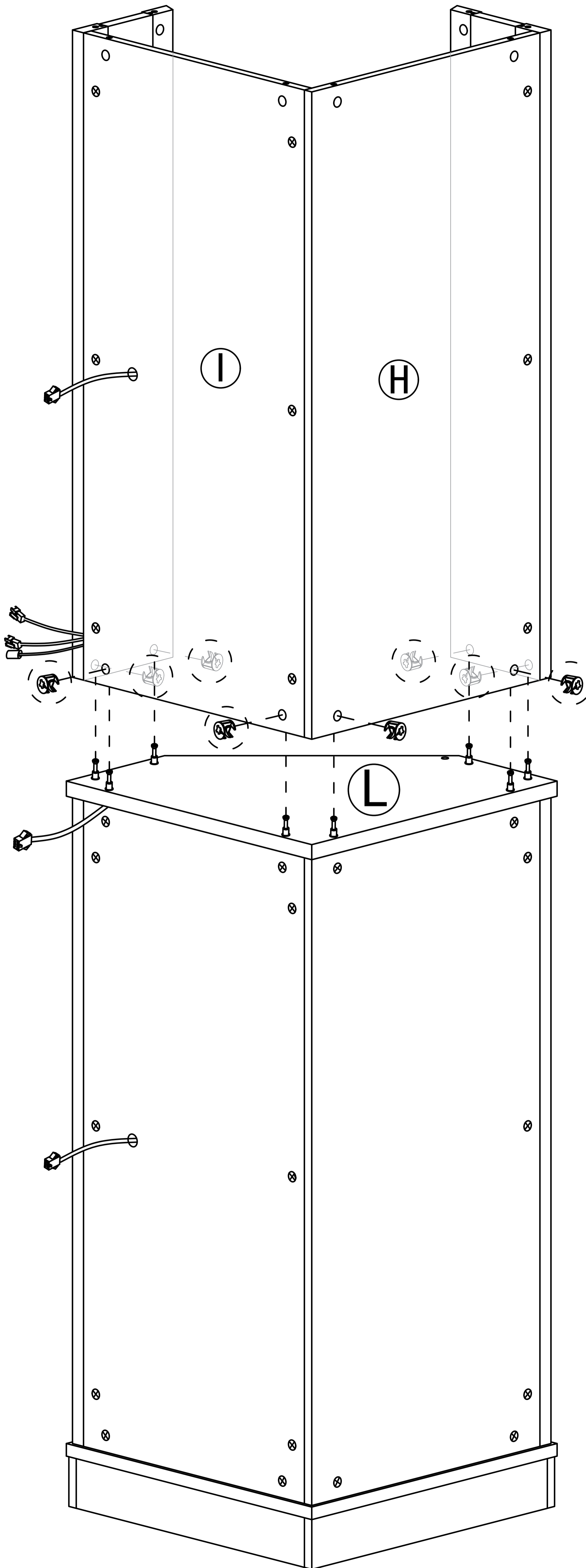
- 1  x8

Step 31

2

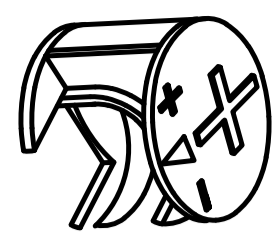


x8

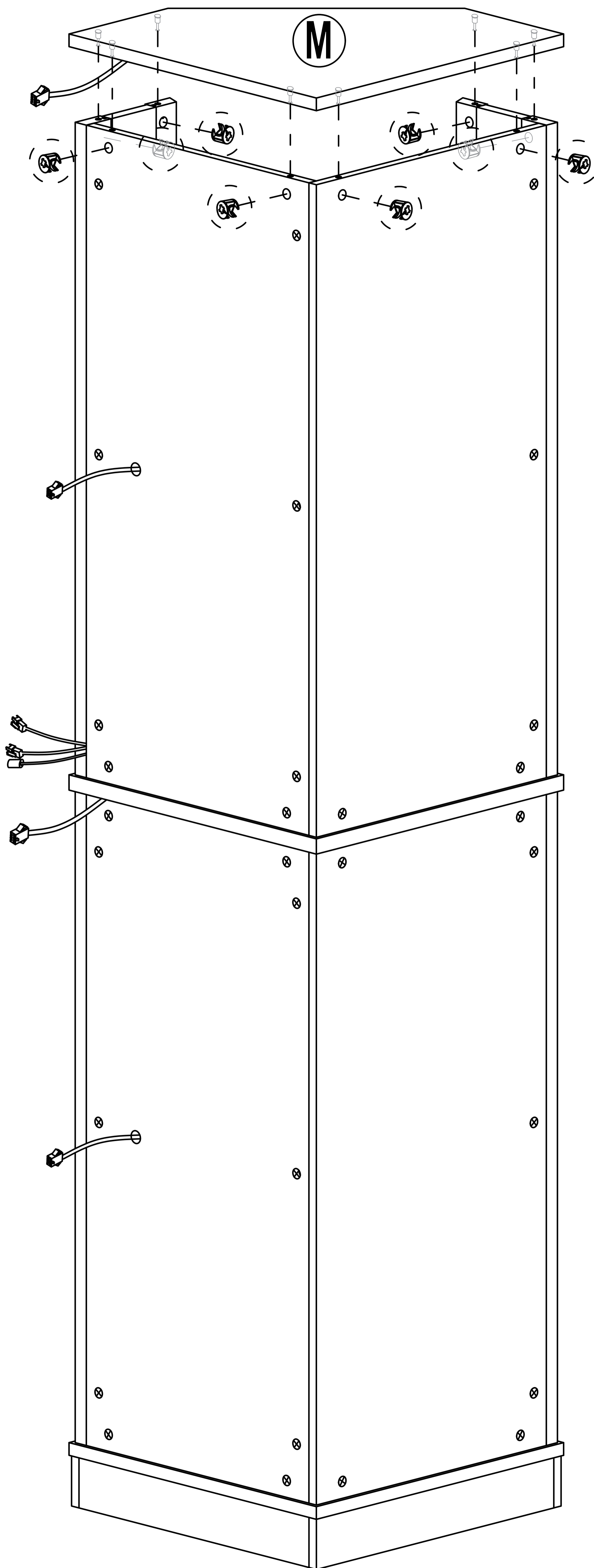


Step 32

2

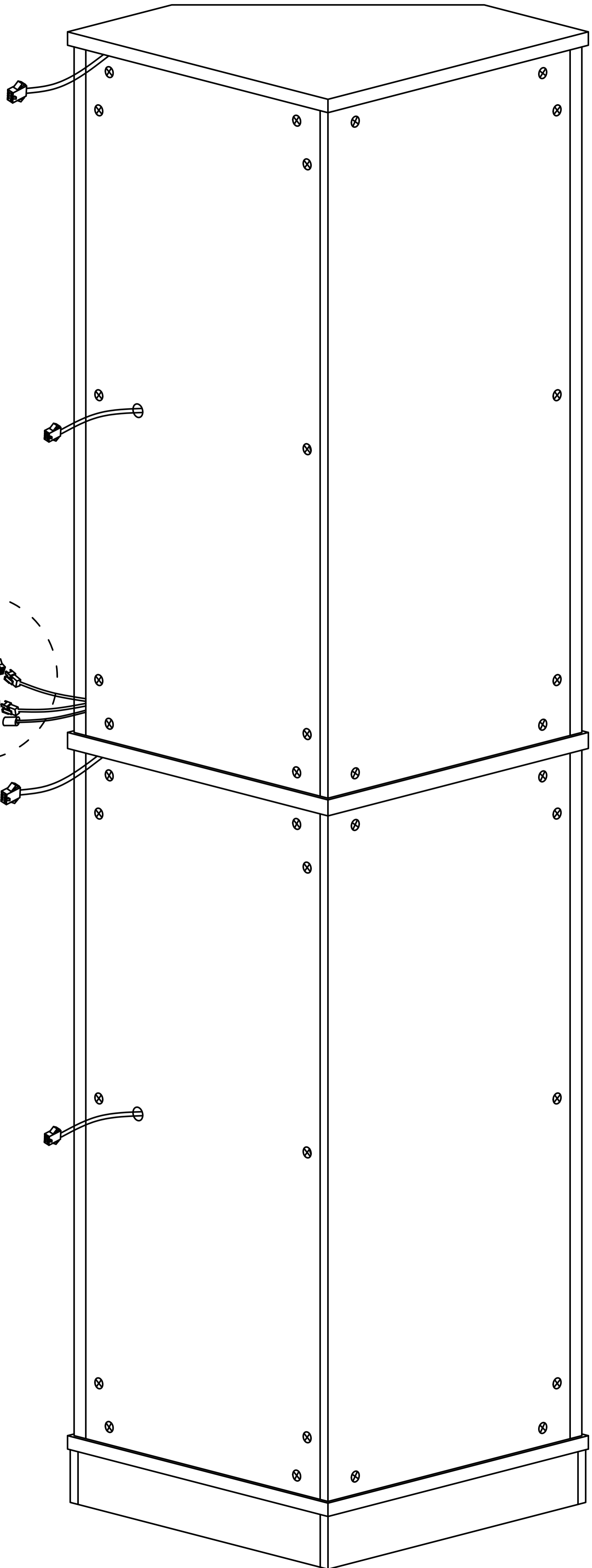
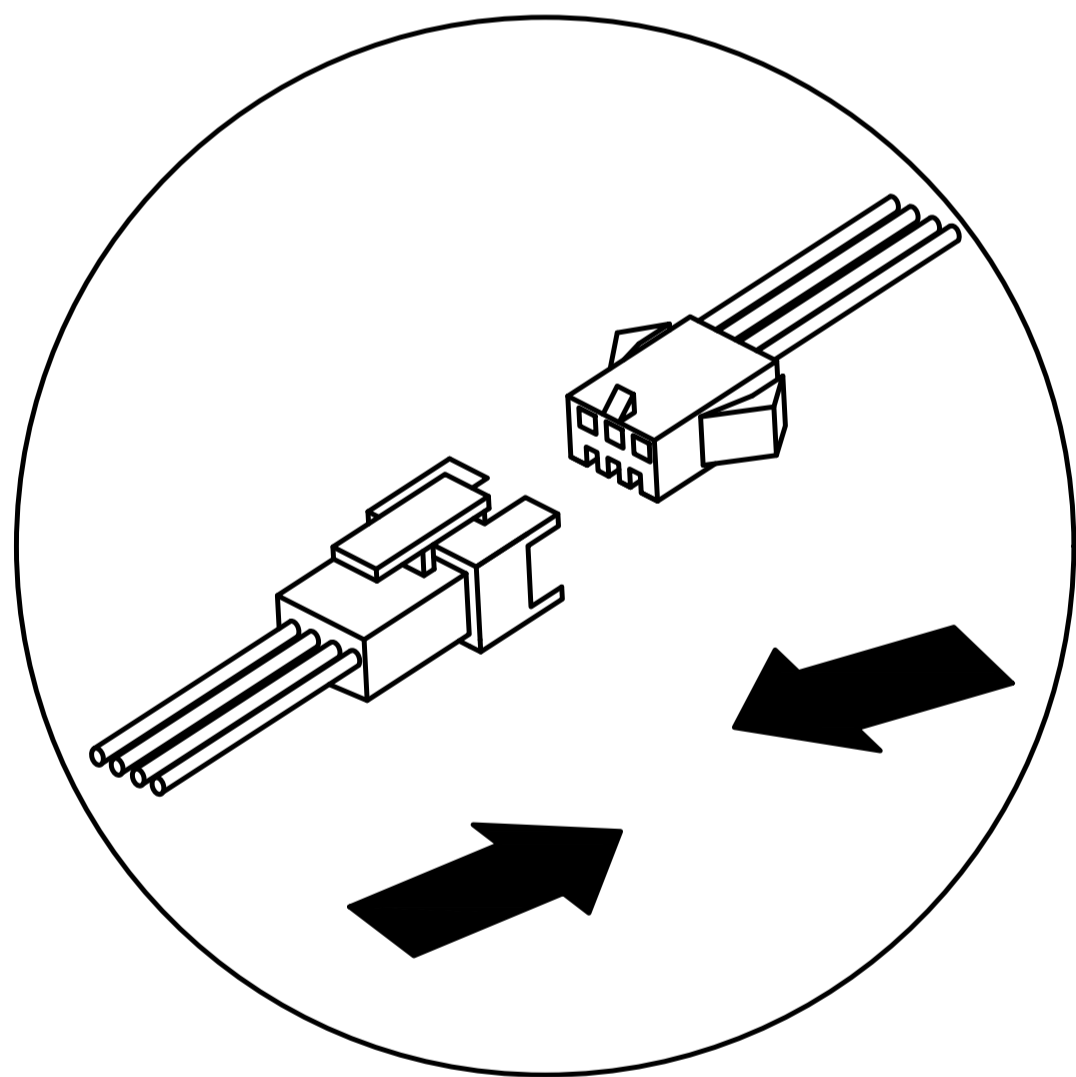
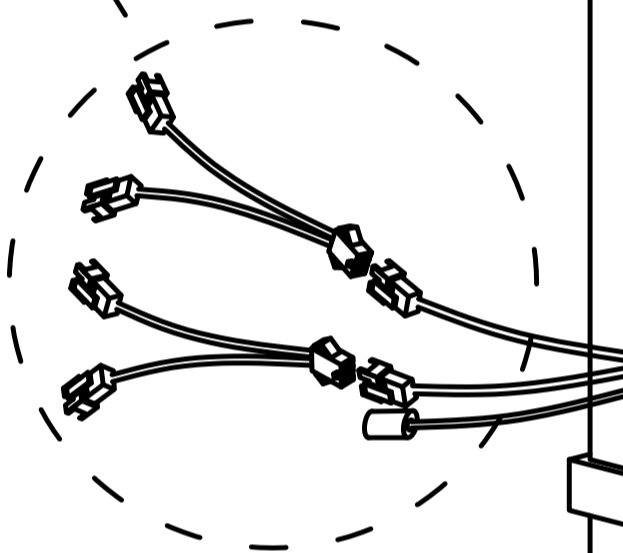
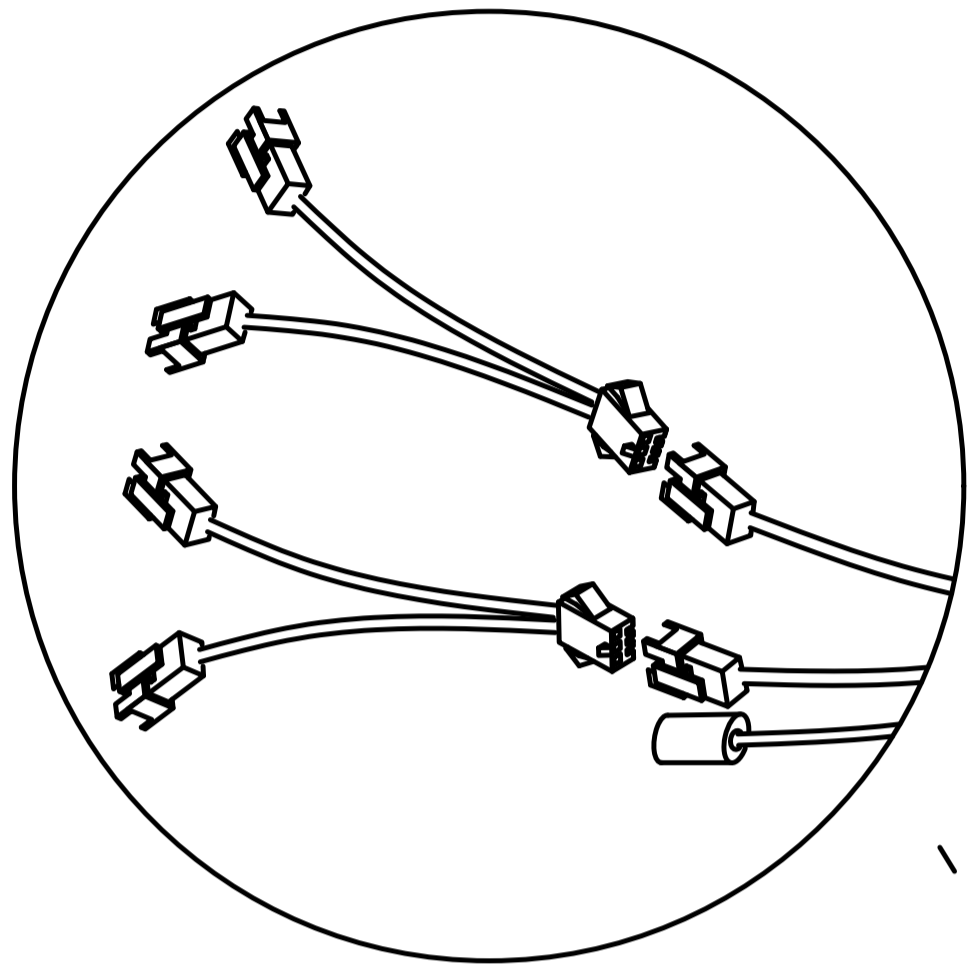


x8

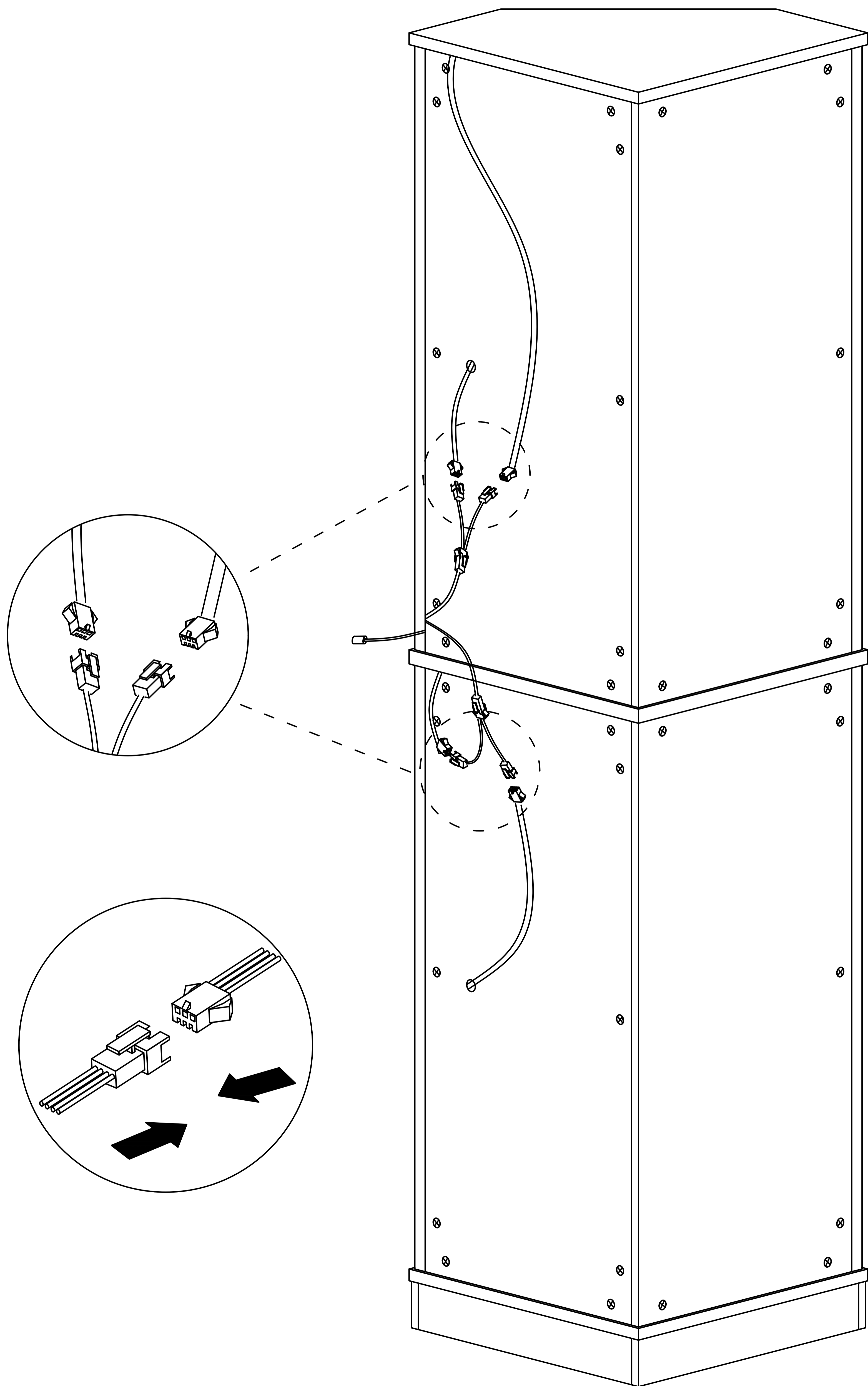


Step 33

5 x2

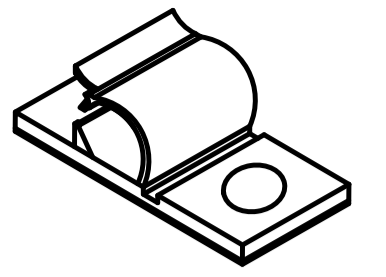


Step 34

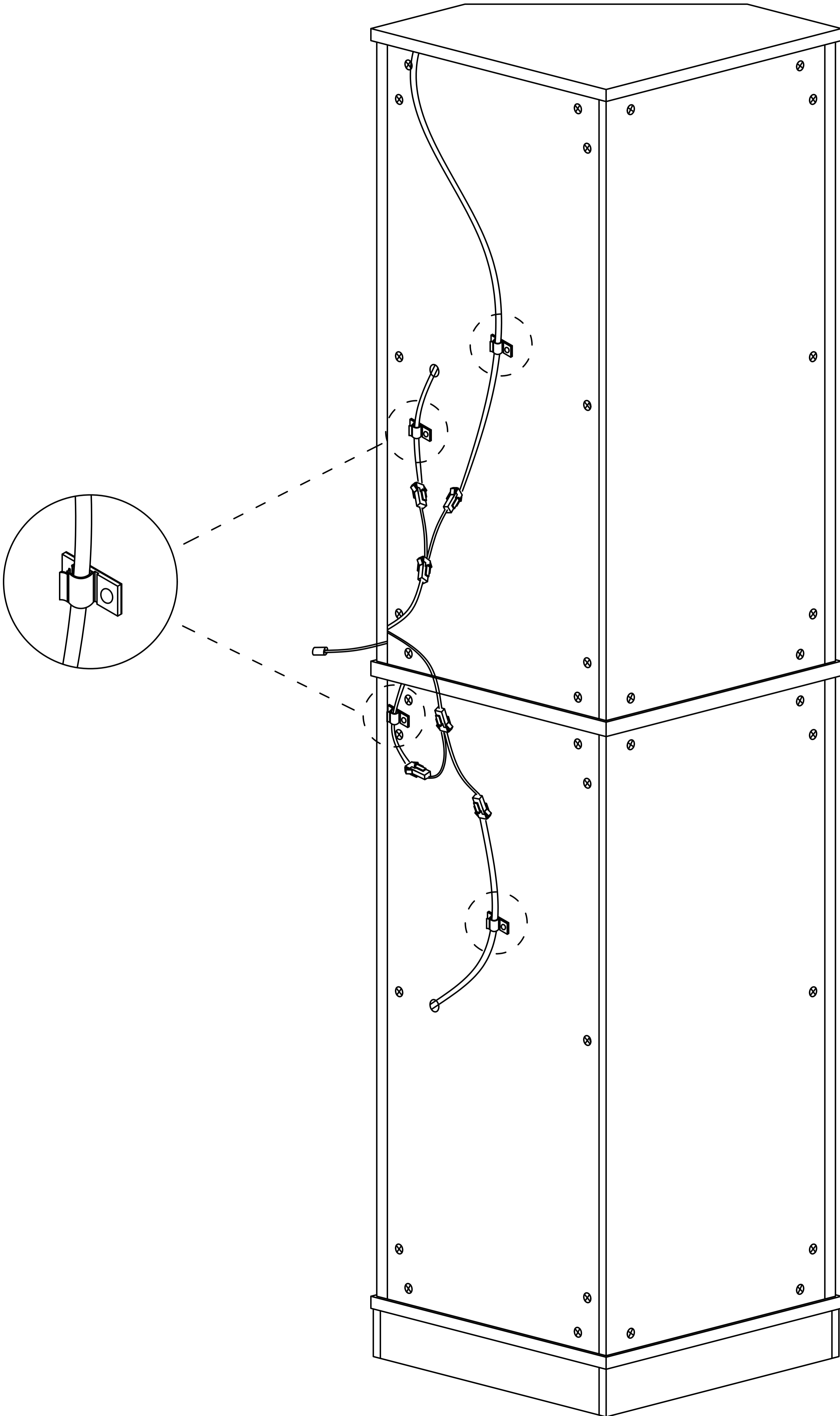


Step 35

4

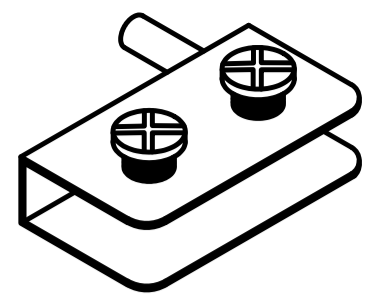


x4



Step 37

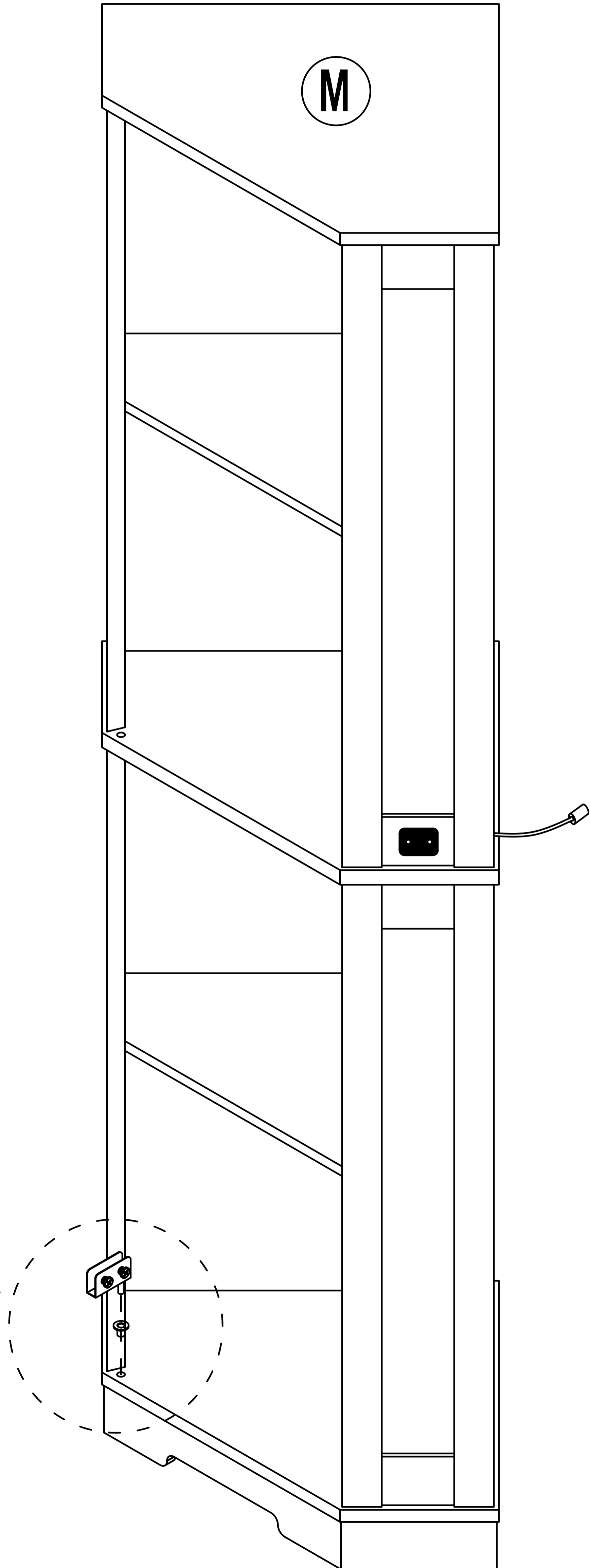
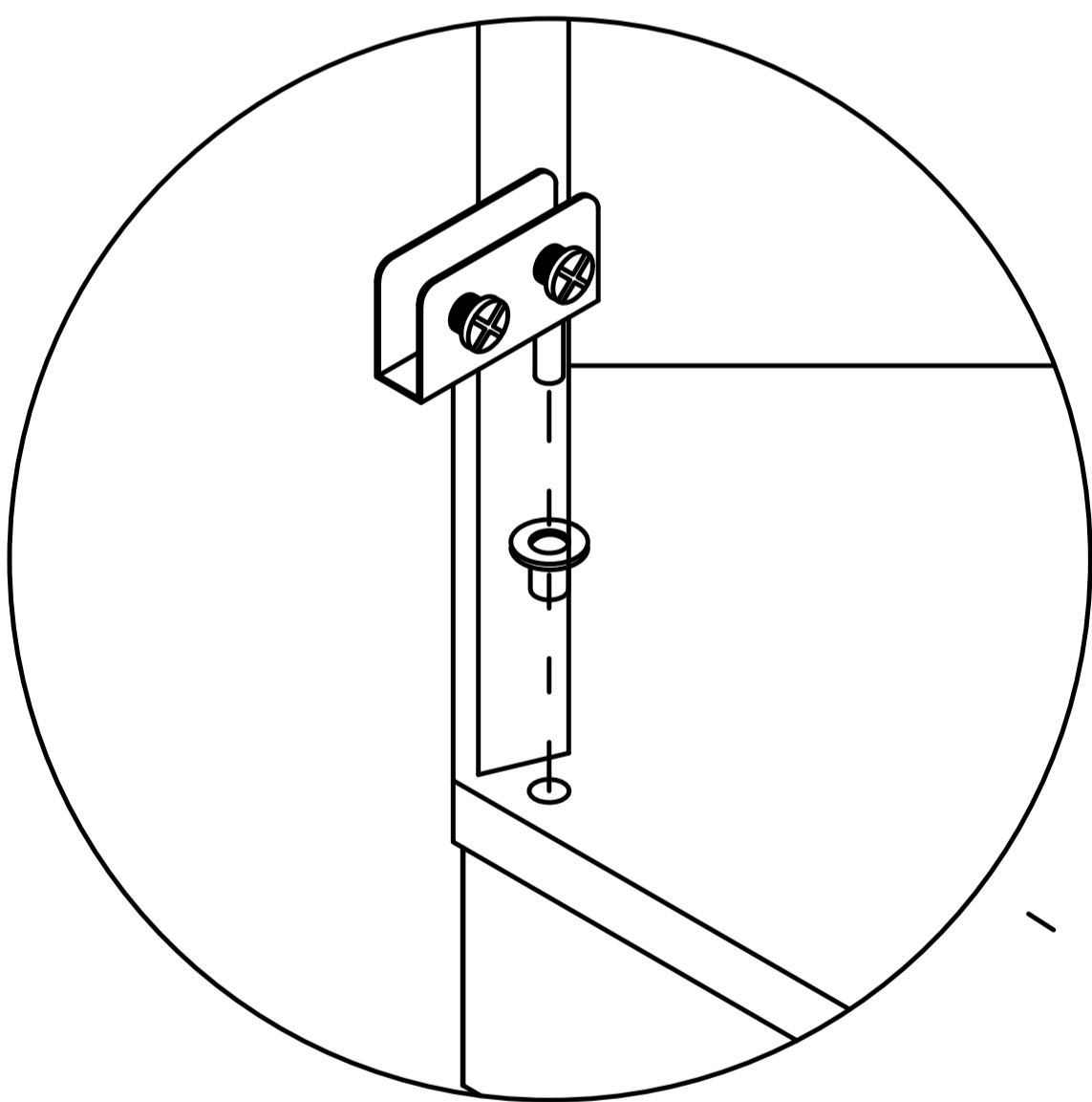
7



x1



x1



7

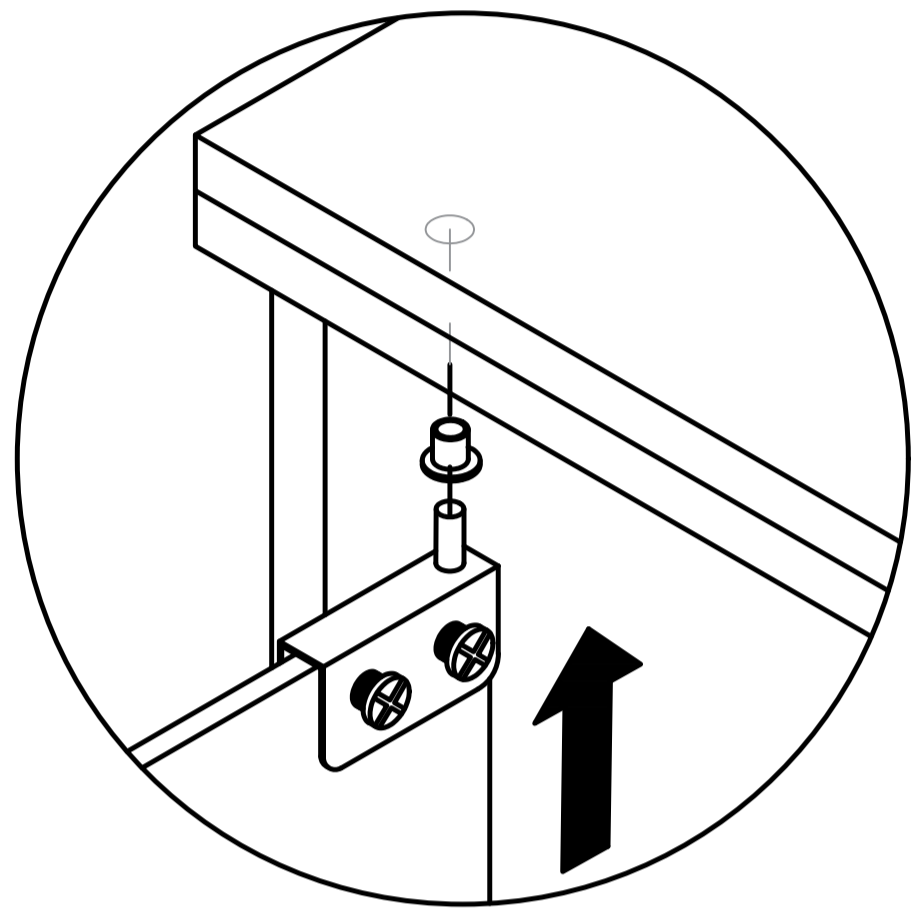


x1

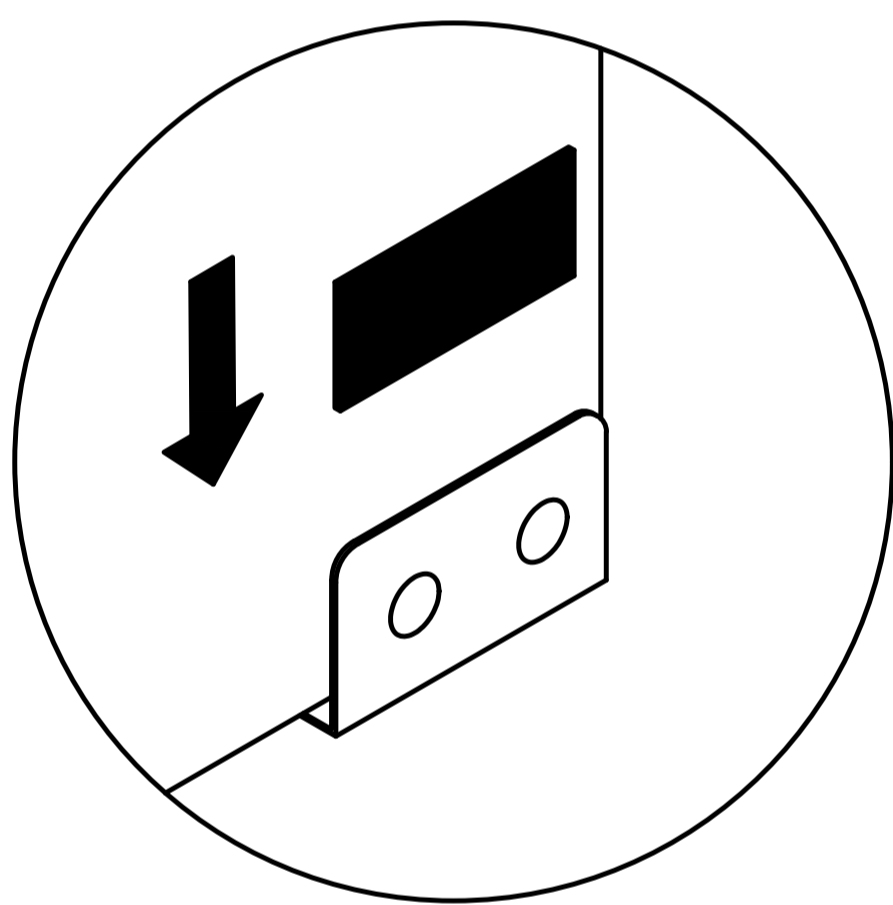
Step 38

Pay attention to the direction of the door hinge during installation

When installing a glass door, it is recommended to have two people install it to avoid the glass door colliding or hitting oneself.

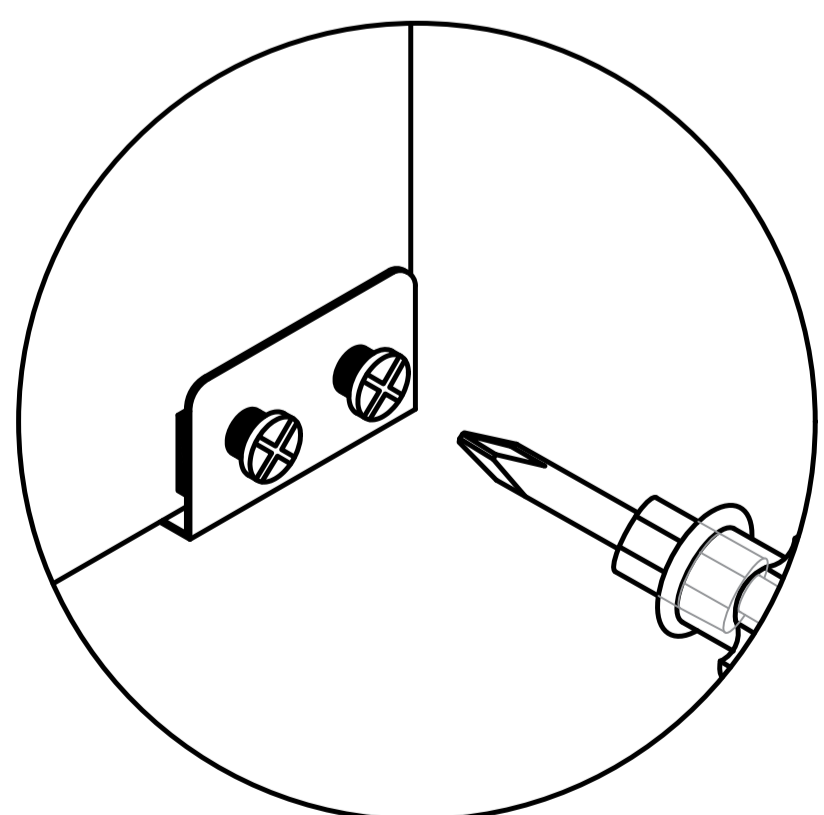


first



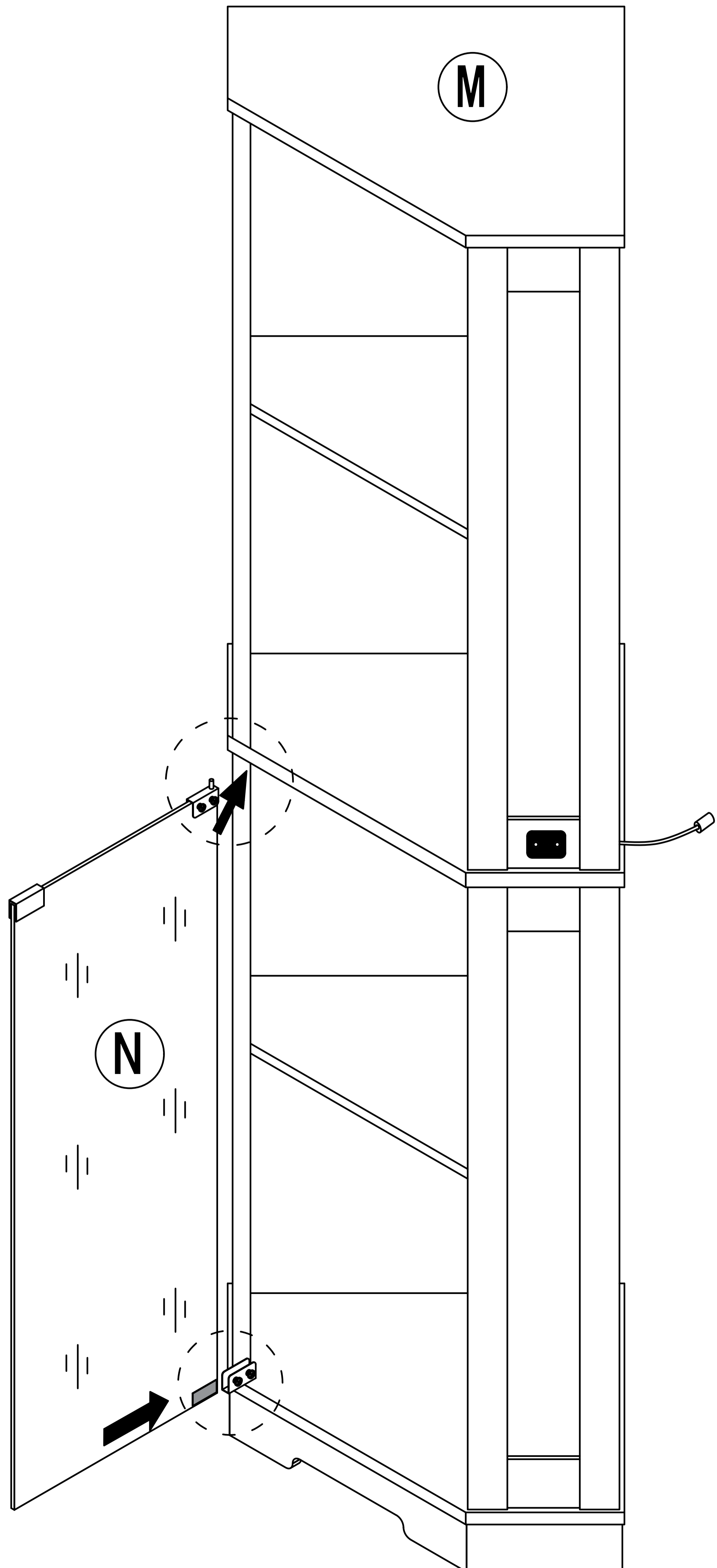
second

After installing the glass door, place the black gasket on the side where the screws are installed

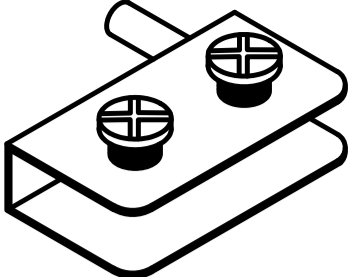



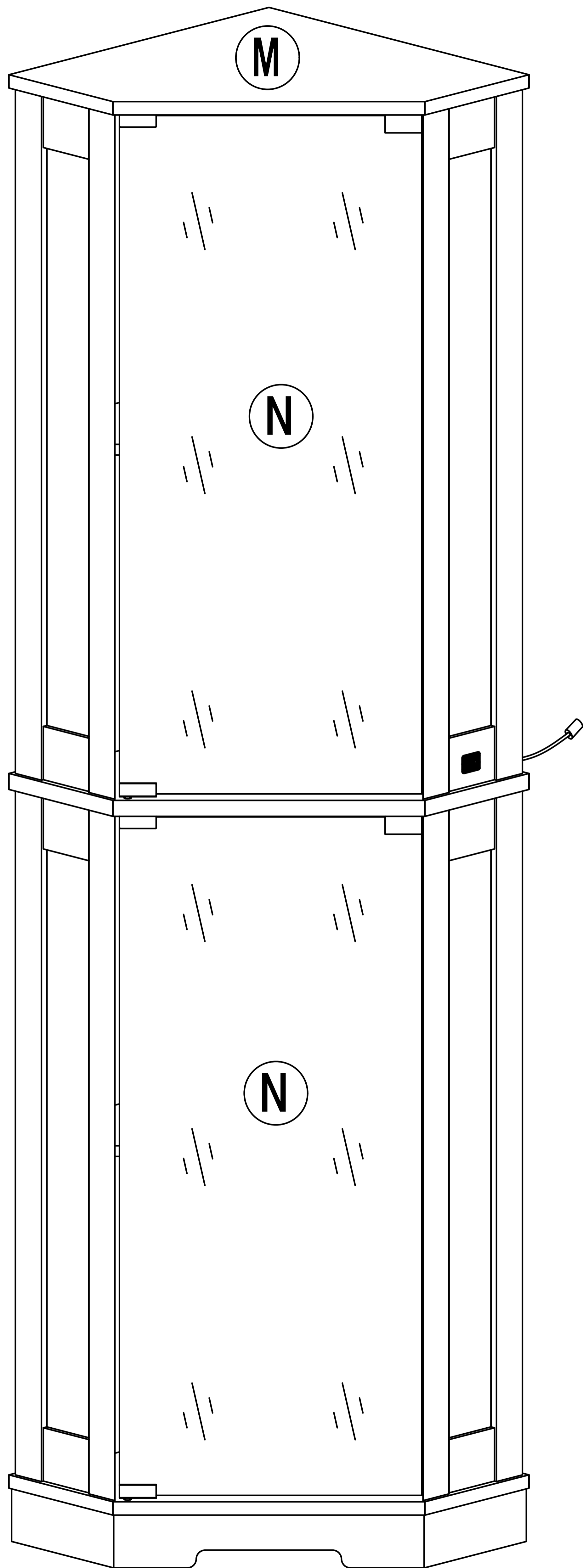
third

Locking screw



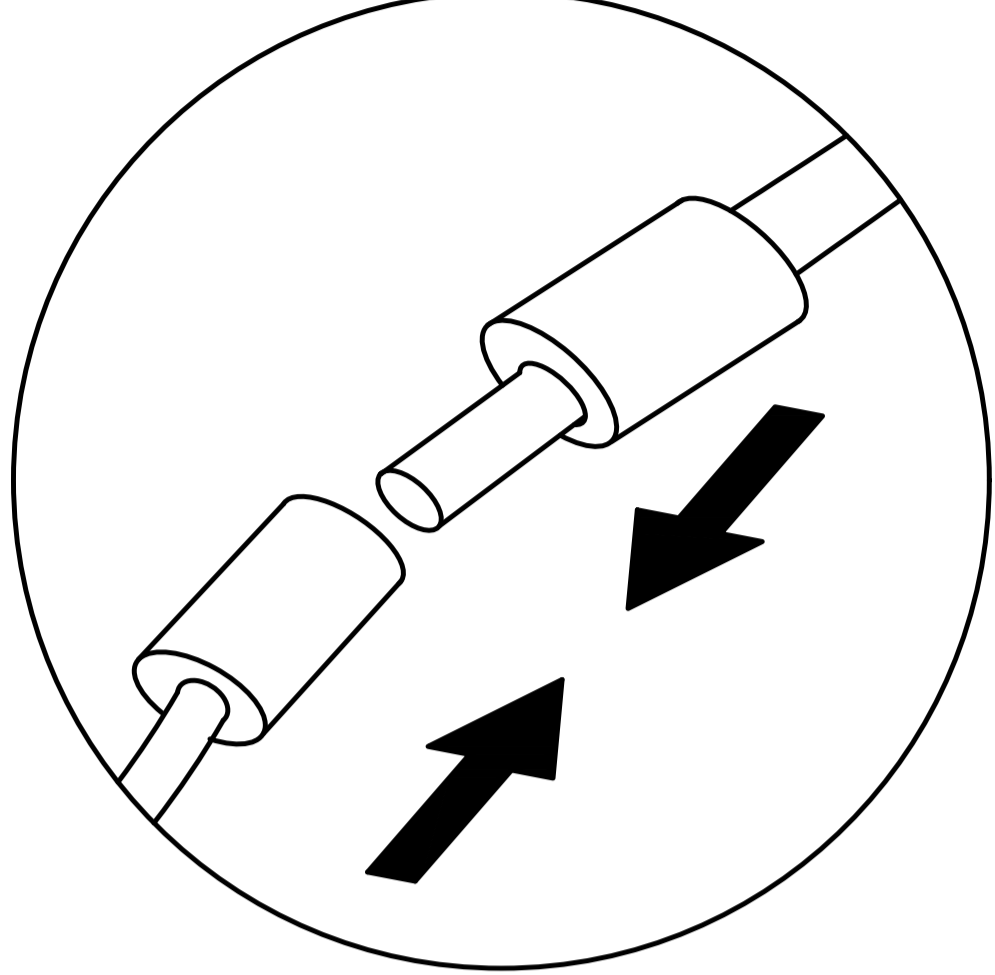
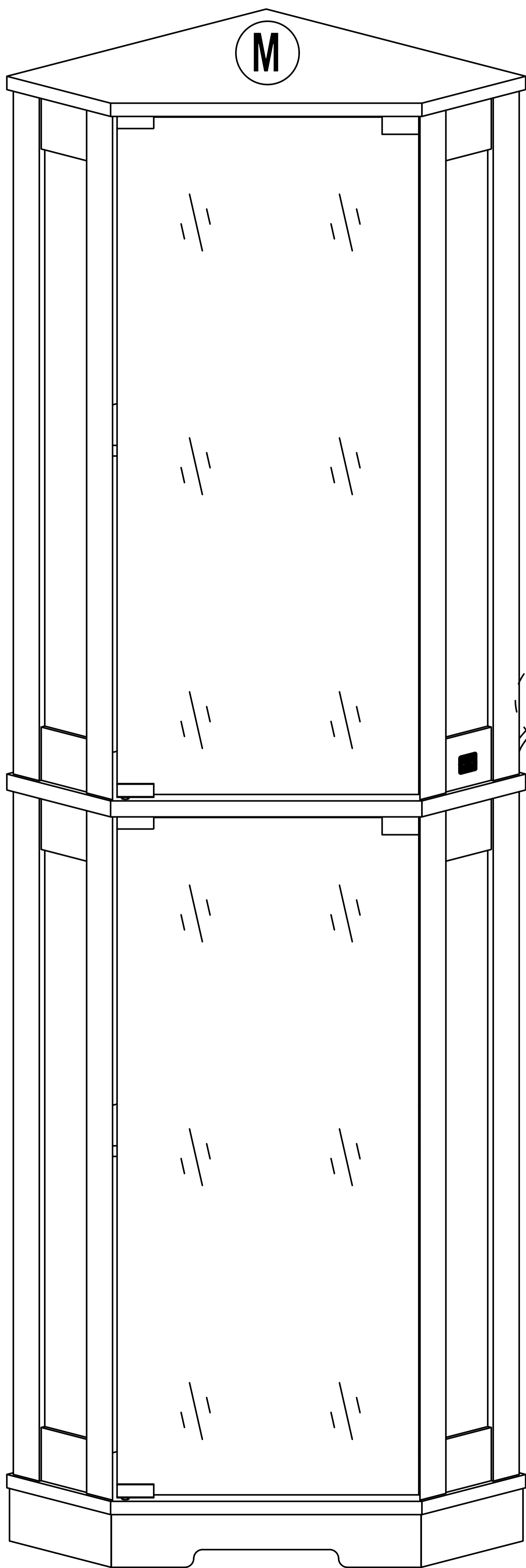
Step 39

- 7  x1
-  x2



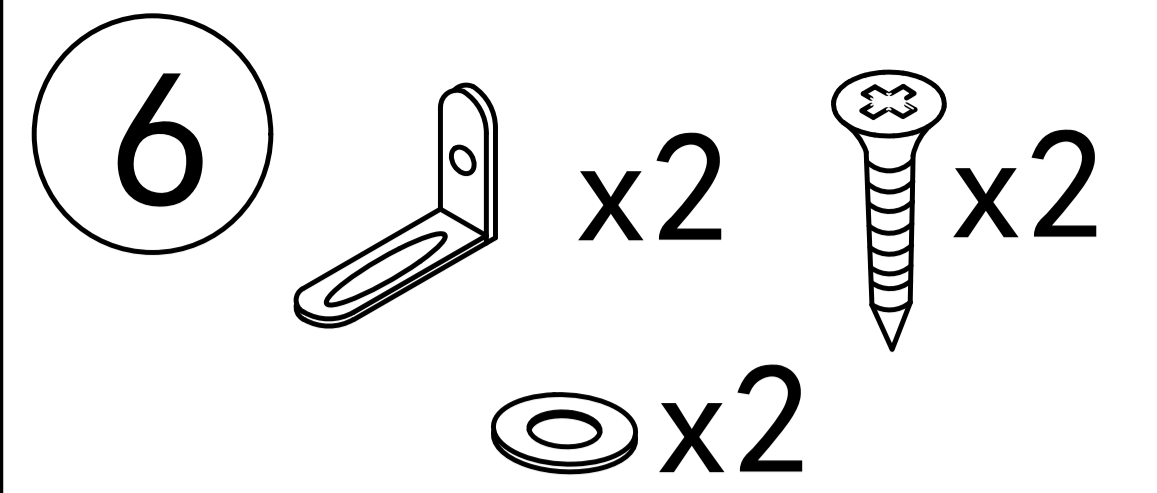
Repeat the door installation steps.

Step 40



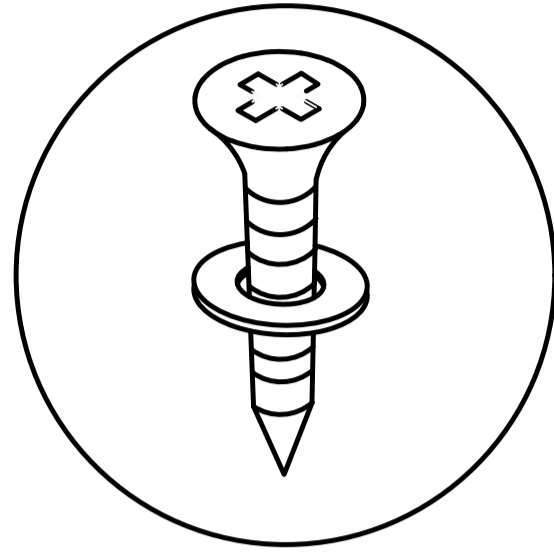
Step 41

Note: Adjust the installation position of anti-fall hardware according to the actual situation.

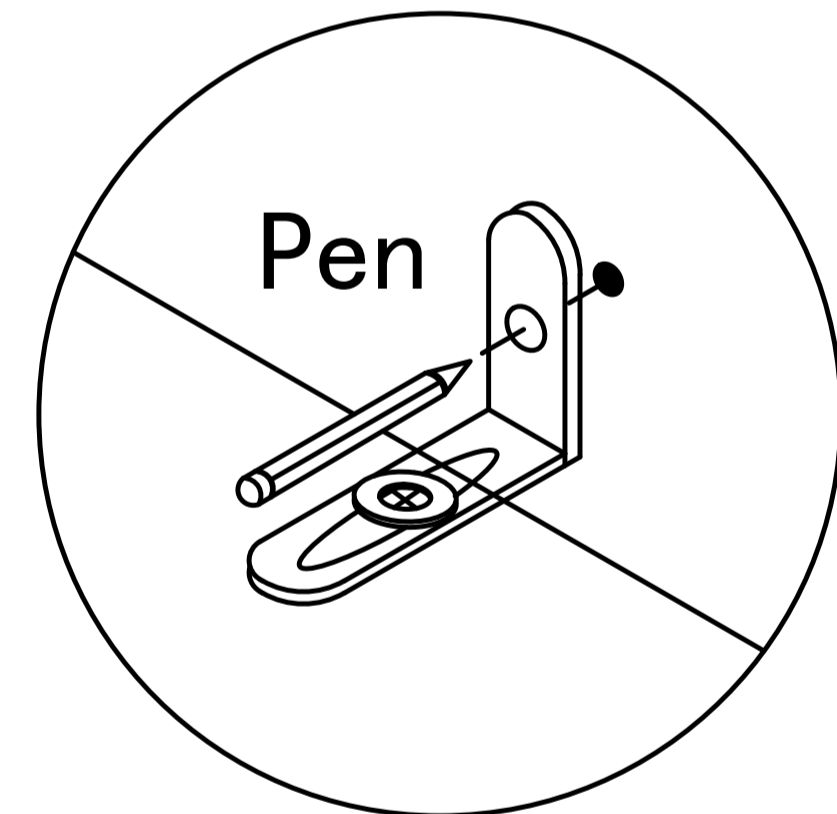
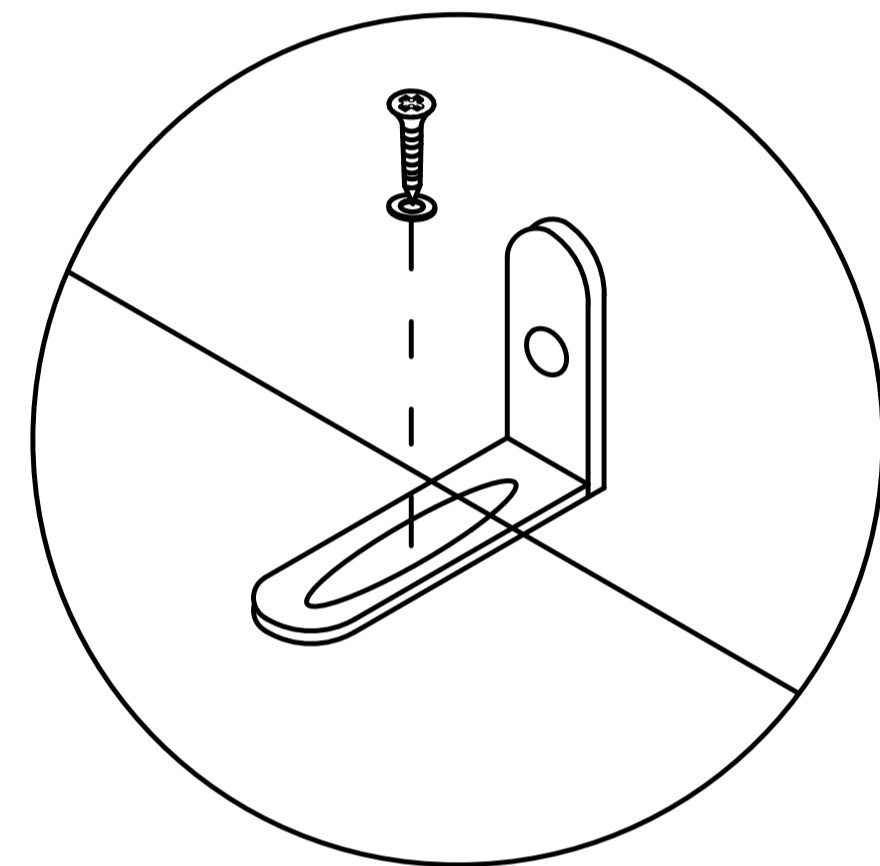
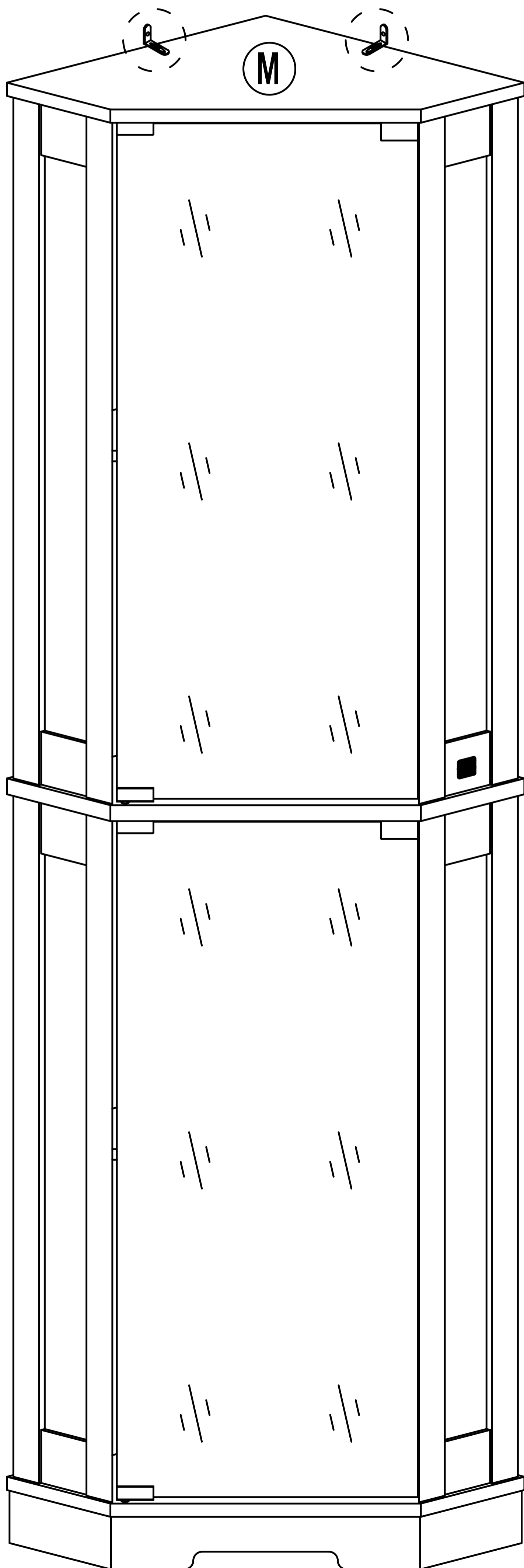


Install as required

3.5x14mm


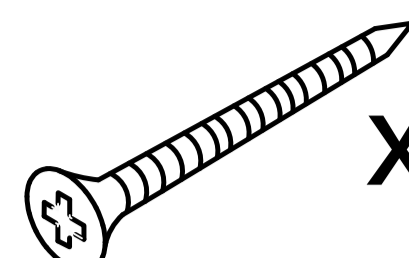



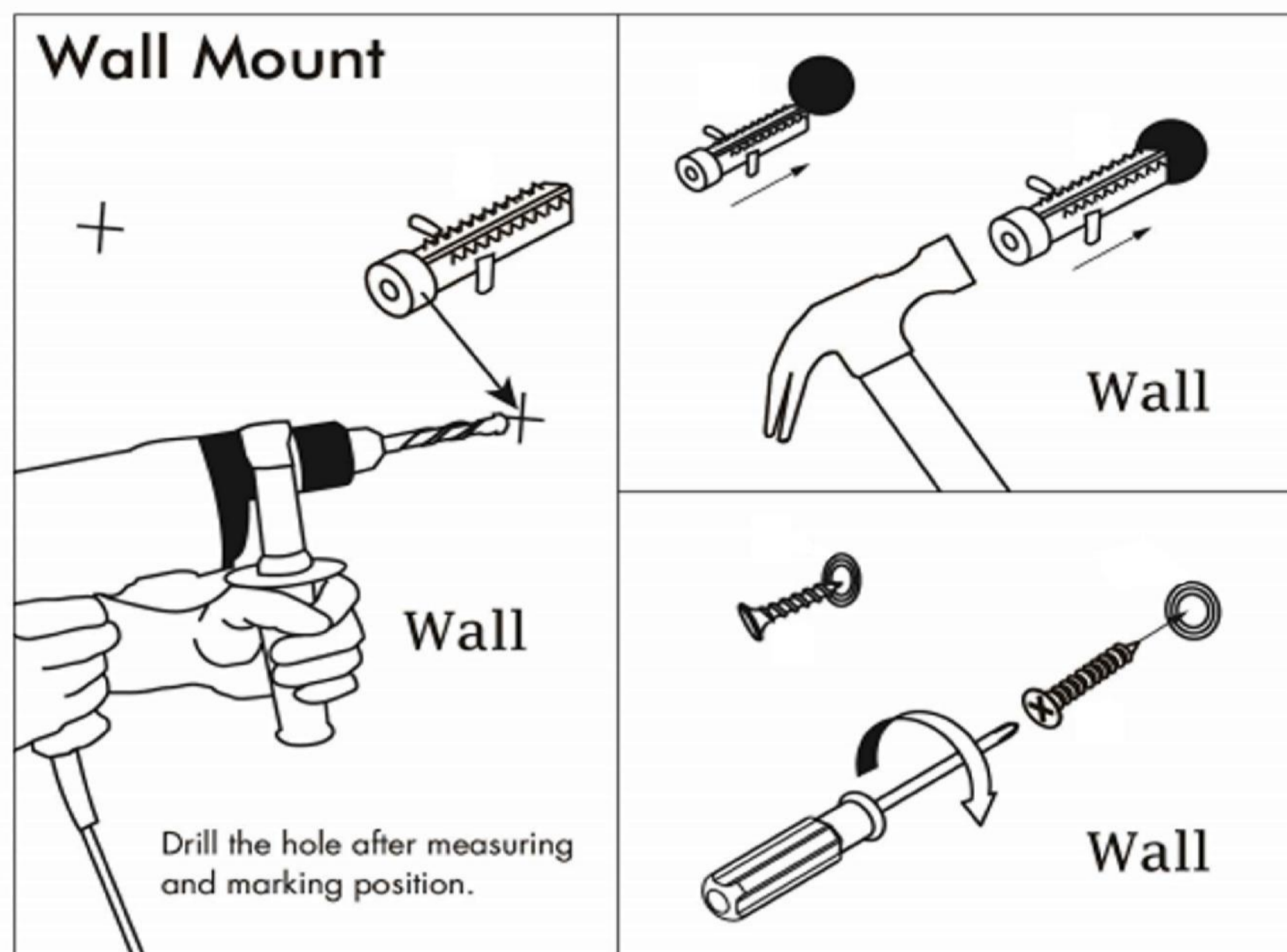
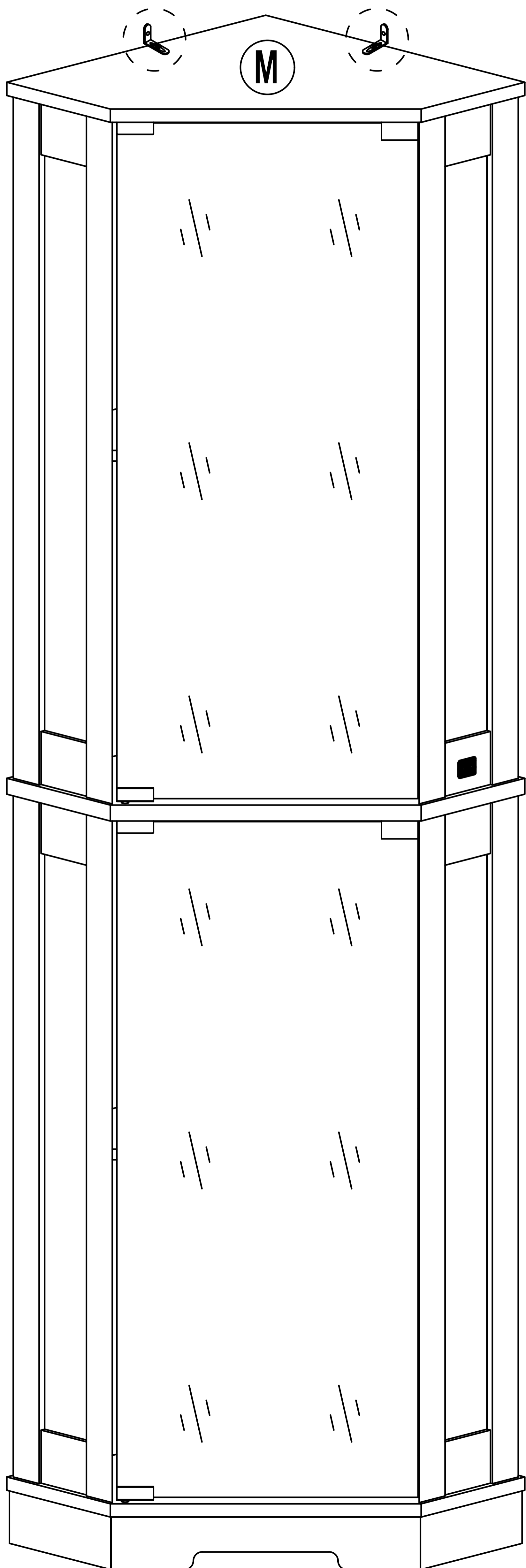
Install the anti fall hardware on the cabinet as shown in the picture first



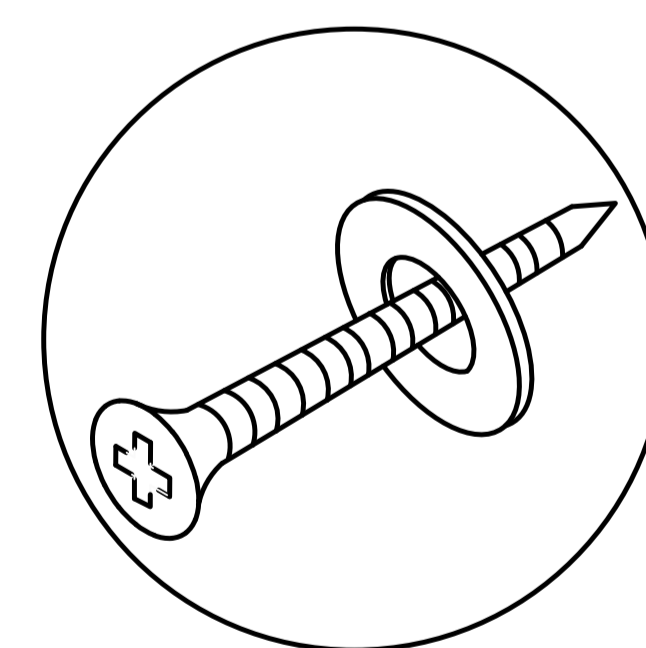
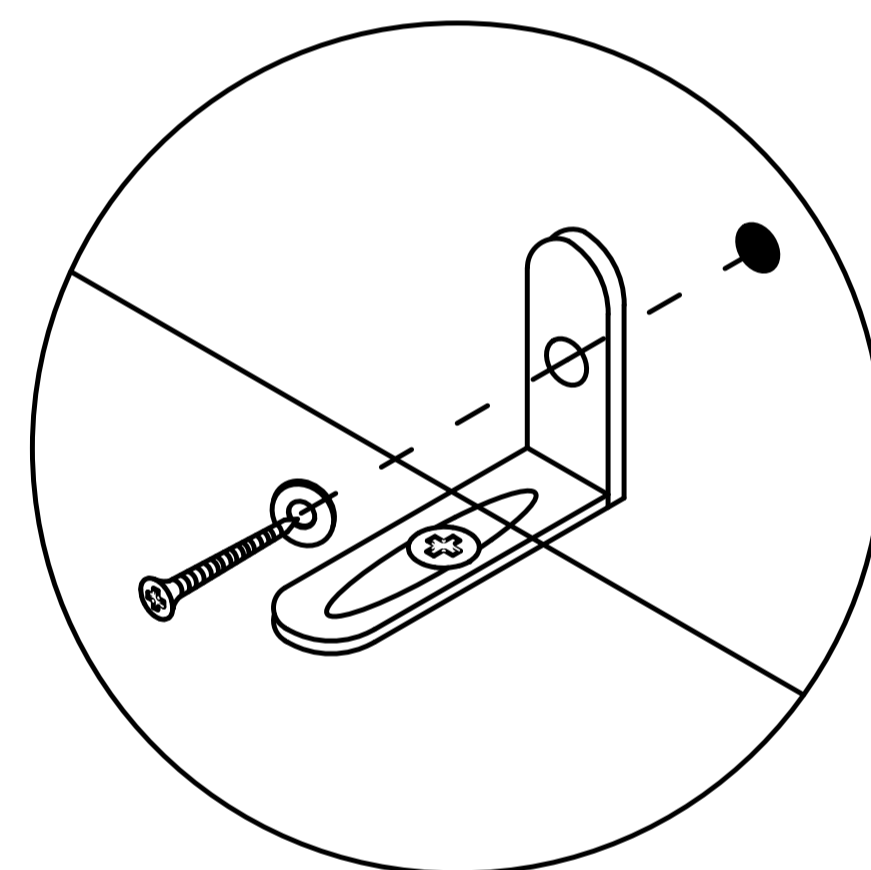
Then mark the wall with a pen through the holes in the anti-fall hardware

Step 42

- 6  x2
-  x2  x2



Drill the hole with an electric drill and punch in the colloidal particles



4x45mm

Fix the dressing table to the wall

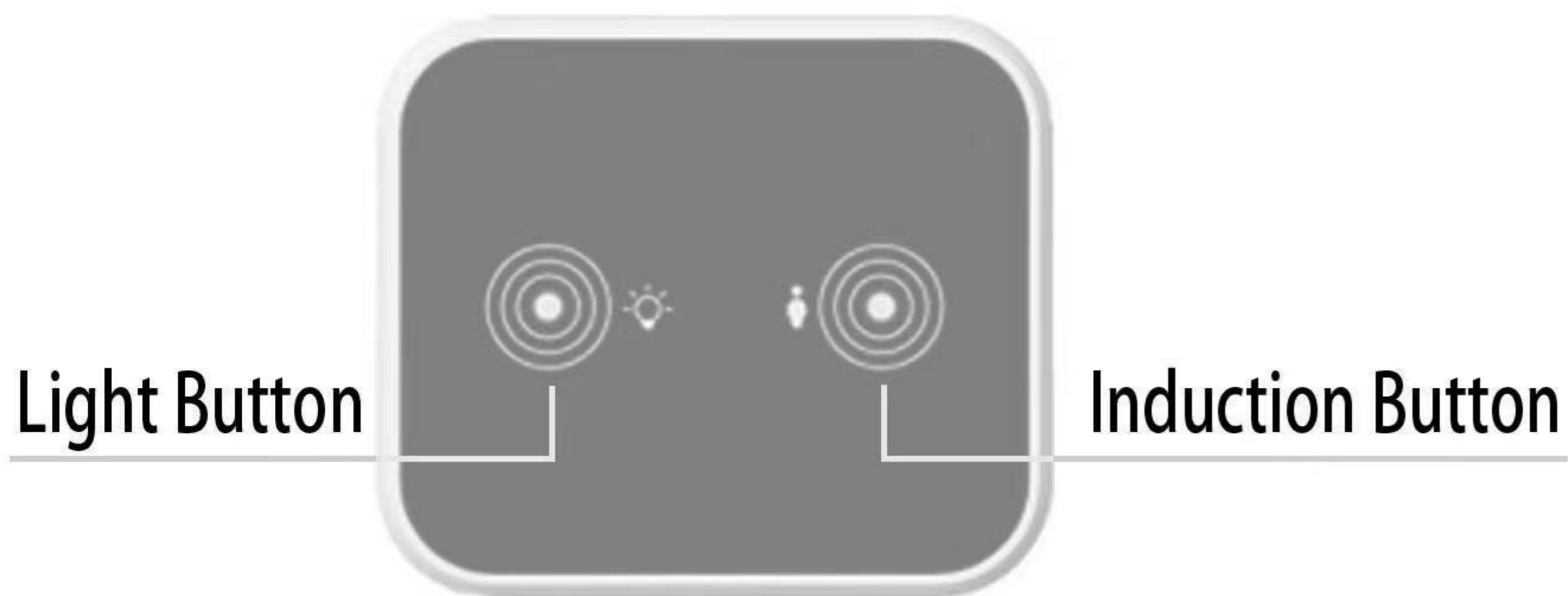
User's Guide

Thank you for purchasing this product. To use this product, please plug it into a 12V DC power supply. Please use if the product works normally after connecting to power.

Introduction

The box is an intelligent controller with 2 touch buttons. It can turn ON/OFF the light, change light colors, and adjust the light luminance.

Product Show



ATTENTION PLEASE

1. If there is no touch response suddenly, Re-plug the power to reset the touch static electricity.
2. If bubbles appear on the panel, remove the protective film.

Operation



This touch button is used to turn on/off, change colors, and adjust brightness.

A. Short touch -> lighting on -> short touch -> change light color -> short touch -> change light color -> short touch -> lighting off. B. Long touch -> adjust the luminance



This touch button is used to turn on/off the induction function.

A. Short touch to turn on the induction function. It can auto-turn on the light when people are close to the controller in 1 meters. It can auto power off the light when the body is far away from the controller after 30 seconds.

B. Long touch to turn off the induction function.

C. Note: When you touch the light button to change the light modes, the induction function will automatically turn off. It is best to turn on this function after selecting the light color and adjusting the brightness you want.