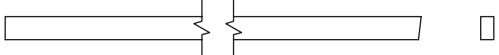

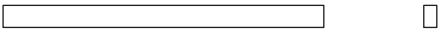
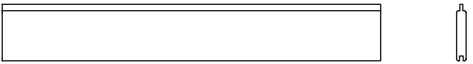
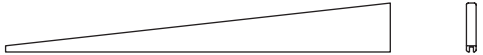

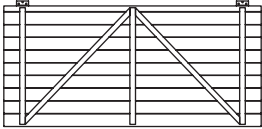
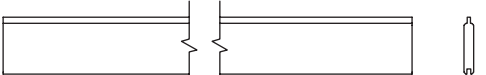

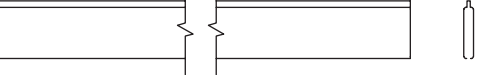
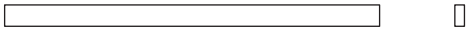
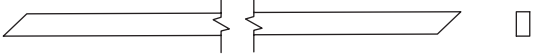
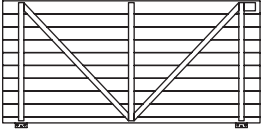
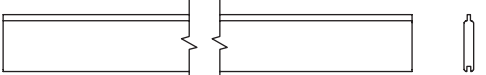
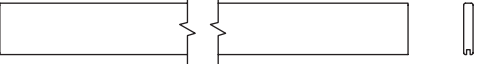
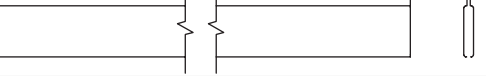
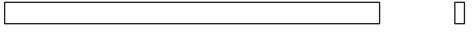
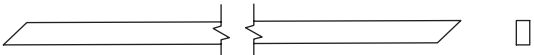
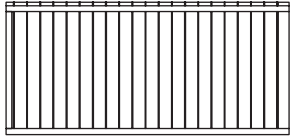
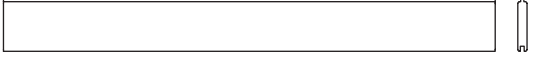


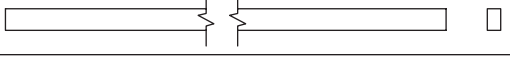
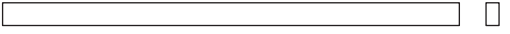
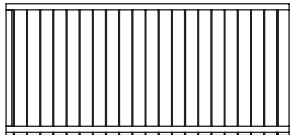



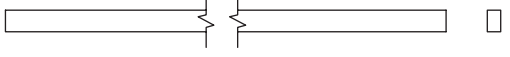
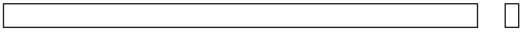
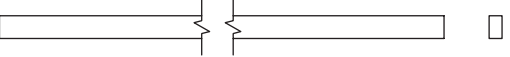
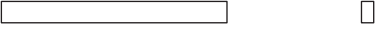
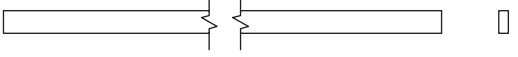

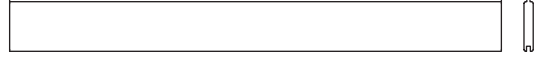

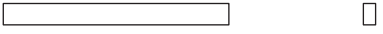








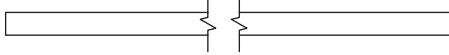

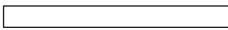

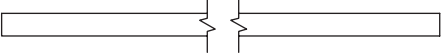









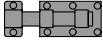
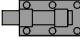


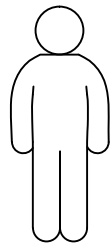
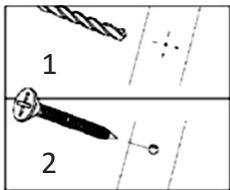


1	35x430x1700	x1	
1.1	20x35x1700	x1	
1.2	20x35x1665	x1	
1.3	20x35x347	x1	
1.4	20x35x345	x1	
1.5	15x(+/-90)x430	x20	
1.6	15x(+/-30-70)x430	x1	
1.7	15x(+/-57)x430	x1	
2	35x430x1700	x1	
2.1	20x35x1700	x1	

2.2	20x35x1665	x1	
2.3	20x35x347	x1	
2.4	20x35x345	x1	
2.5	15x(+/-90)x430	x20	
2.6	15x(+/-30-70)x430	x1	
2.7	15x(+/-57)x430	x1	
3	35x760x1620	x1	
3.1	15x(+/-90)x1620	x8	
3.2	15x(+/-80)x1620	x1	
3.3	15x(+/-50)x1620	x1	
3.4	20x35x735	x3	
3.5	20x35x940	x2	
4	35x760x1620	x1	
4.1	15x(+/-90)x1620	x8	
4.2	15x(+/-80)x1620	x1	
4.3	15x(+/-50)x1620	x1	
4.4	20x35x735	x3	
4.5	20x35x940	x2	

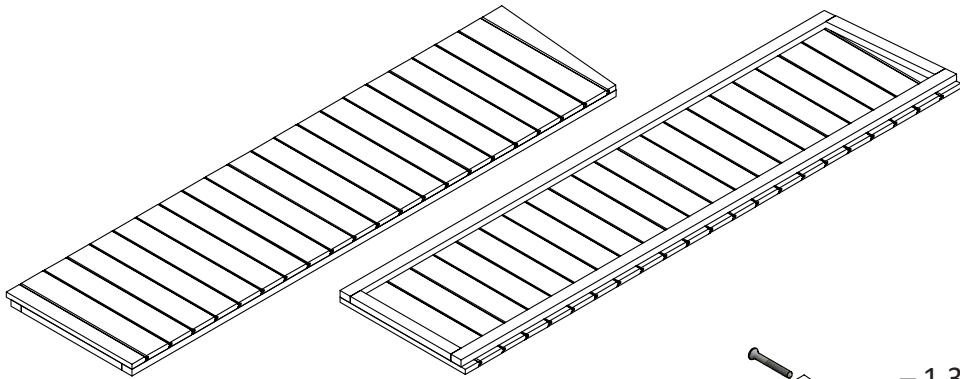
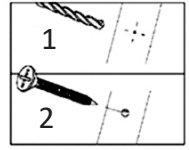
5	35x785x1700	x1	
5.1	15x(+/-90)x785	x20	
5.2	15x(+/-57)x785	x1	
5.3	15x(+/-70)x785	x1	
5.4	20x35x1698	x2	
5.5	20x35x695	x1	
6	35x785x1700	x1	
6.1	15x(+/-90)x785	x20	
6.2	15x(+/-57)x785	x1	
6.3	15x(+/-70)x785	x1	
6.4	20x35x1698	x2	
6.5	20x35x695	x1	
7	20x35x1530	x2	
8	20x35x375	x1	
9	15x35x1530	x1	
10	15x(+/-40)x785	x2	
11	15x(+/-90)x785	x8	
12	20x35x1600	x1	
13	20x35x375	x3	

14	20x35x345	x3		
15	15x(+/-80)x600	x3		
16	15x(+/-90)x600	x9		
17	800x480x10	x2		
18	480x80	x1		
19	15x35x1630	x1		
20	15x35x480	x2		
21	15x35x1655	x2		
22	15x35x780	x2		
I	4.0x16	x12		
II	4.0x25	x110		
III	4.0x35	x19		
IV	4.0x55	x51		
V	1.4x30	x558		
VI	25x25x25	x2		
VII	40x80	1/1		
VIII	125x35	x4		
IX	20x50x70	x1		

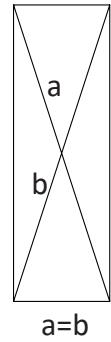
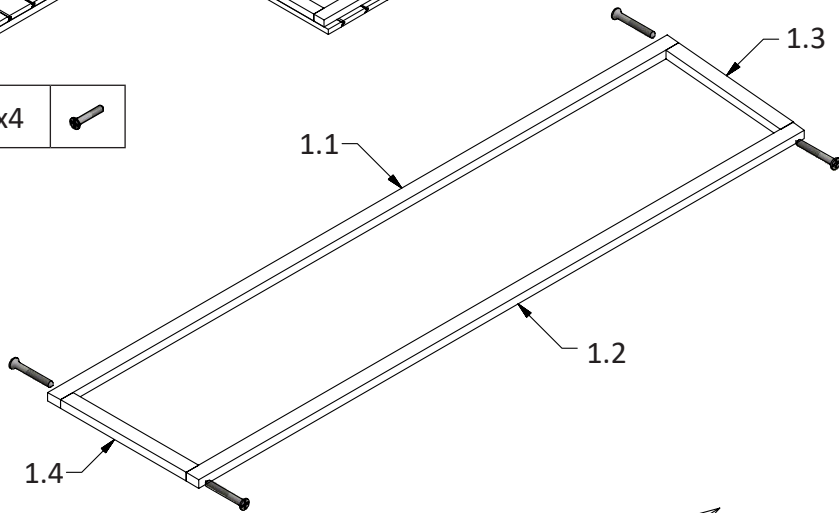


x2

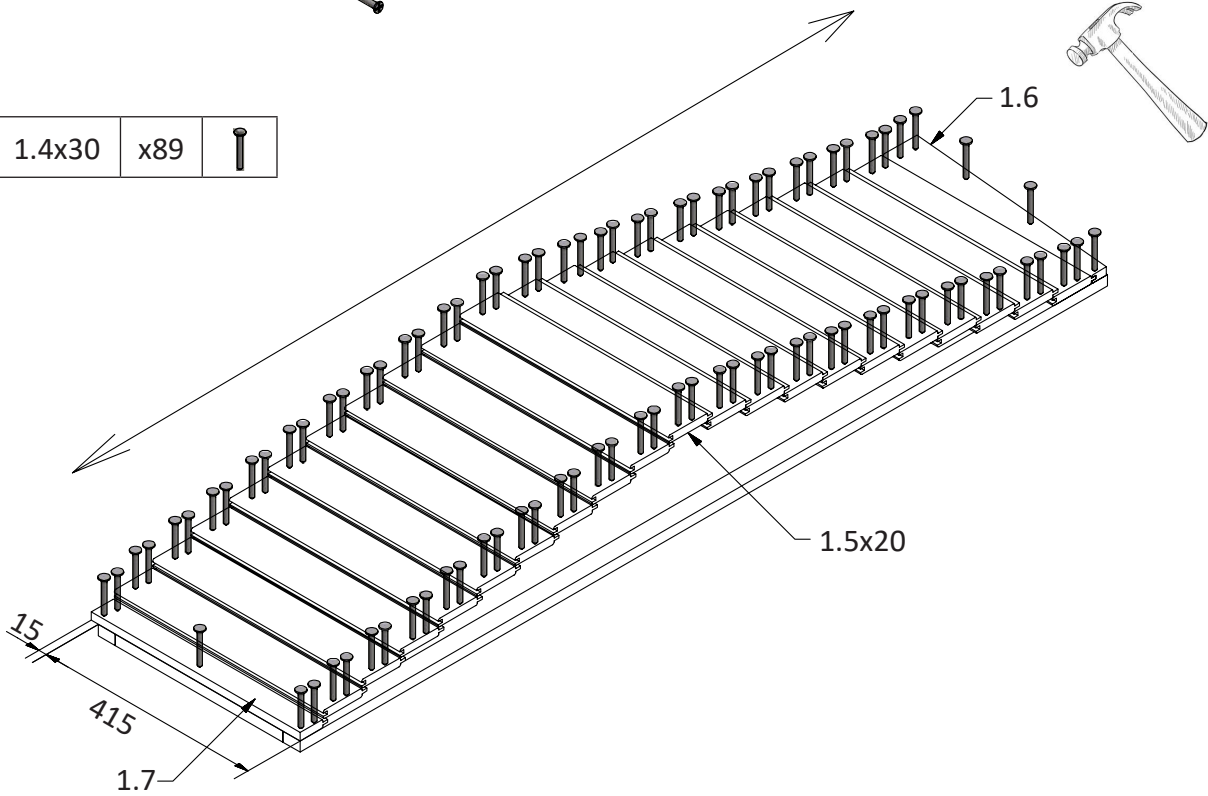
1



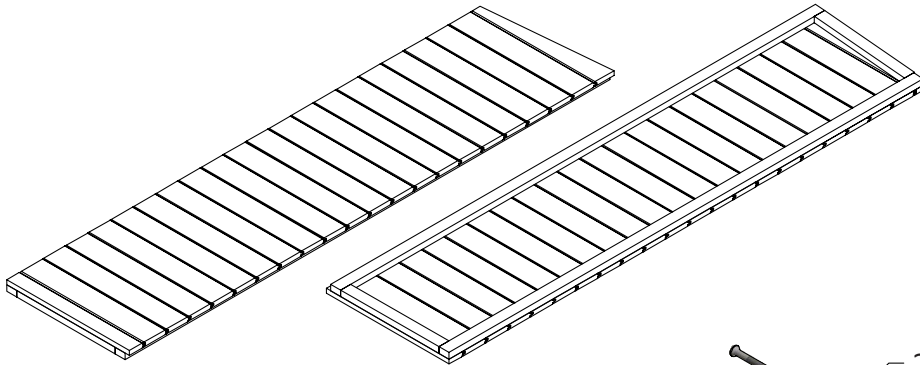
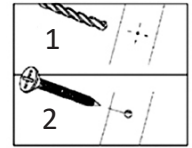
IV	4.0x55	x4	
----	--------	----	--



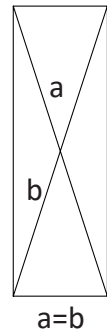
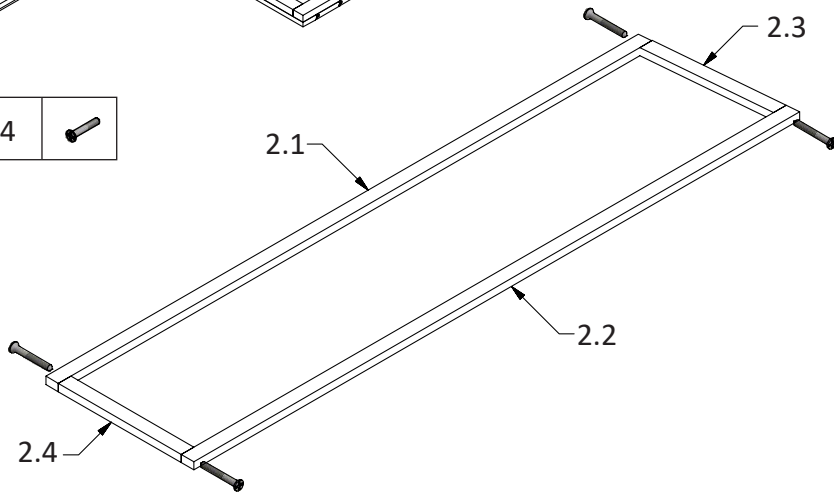
V	1.4x30	x89	
---	--------	-----	--



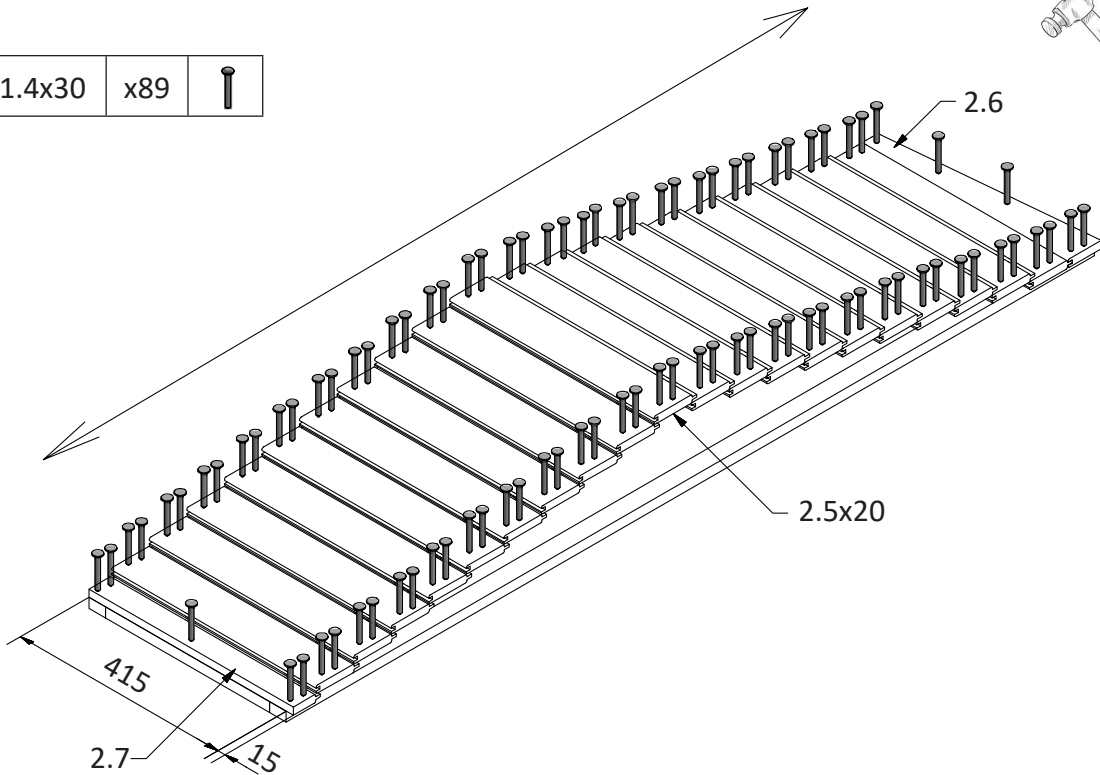
2

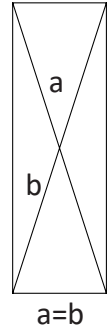
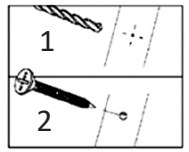


IV	4.0x55	x4	
----	--------	----	--

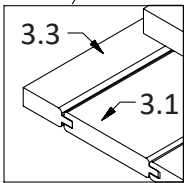
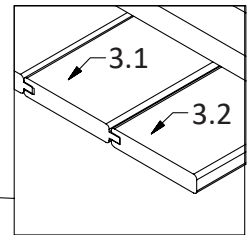
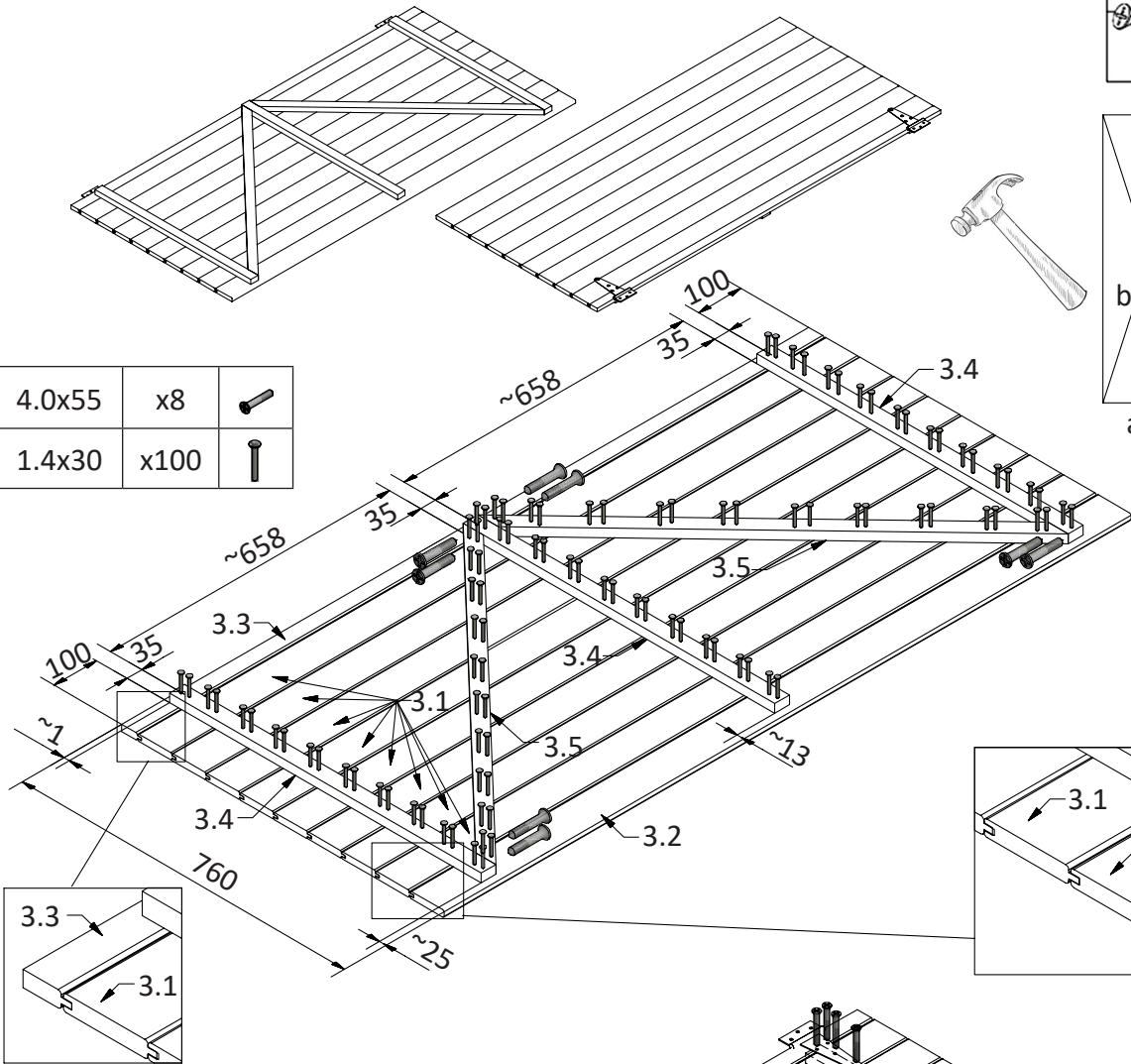


V	1.4x30	x89	
---	--------	-----	--

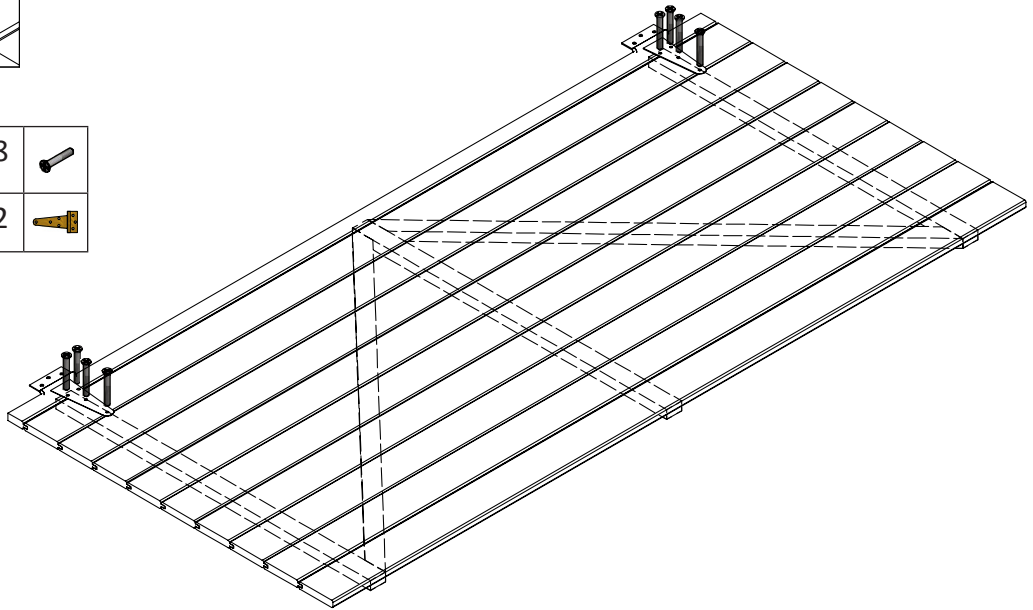


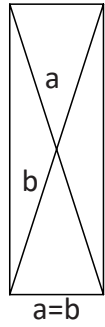
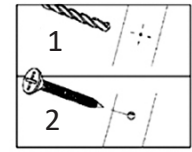
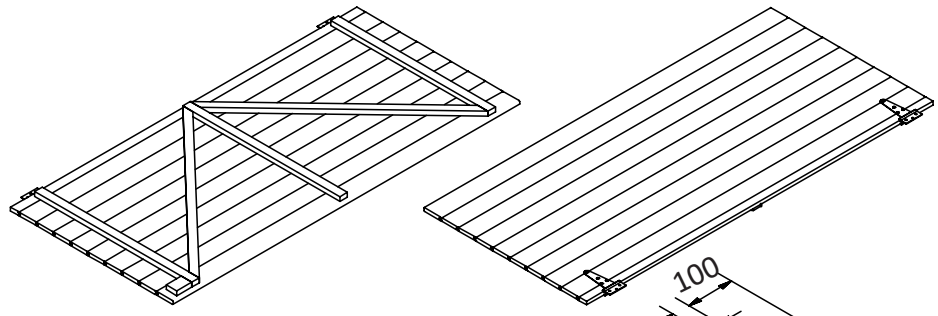


IV	4.0x55	x8	
V	1.4x30	x100	

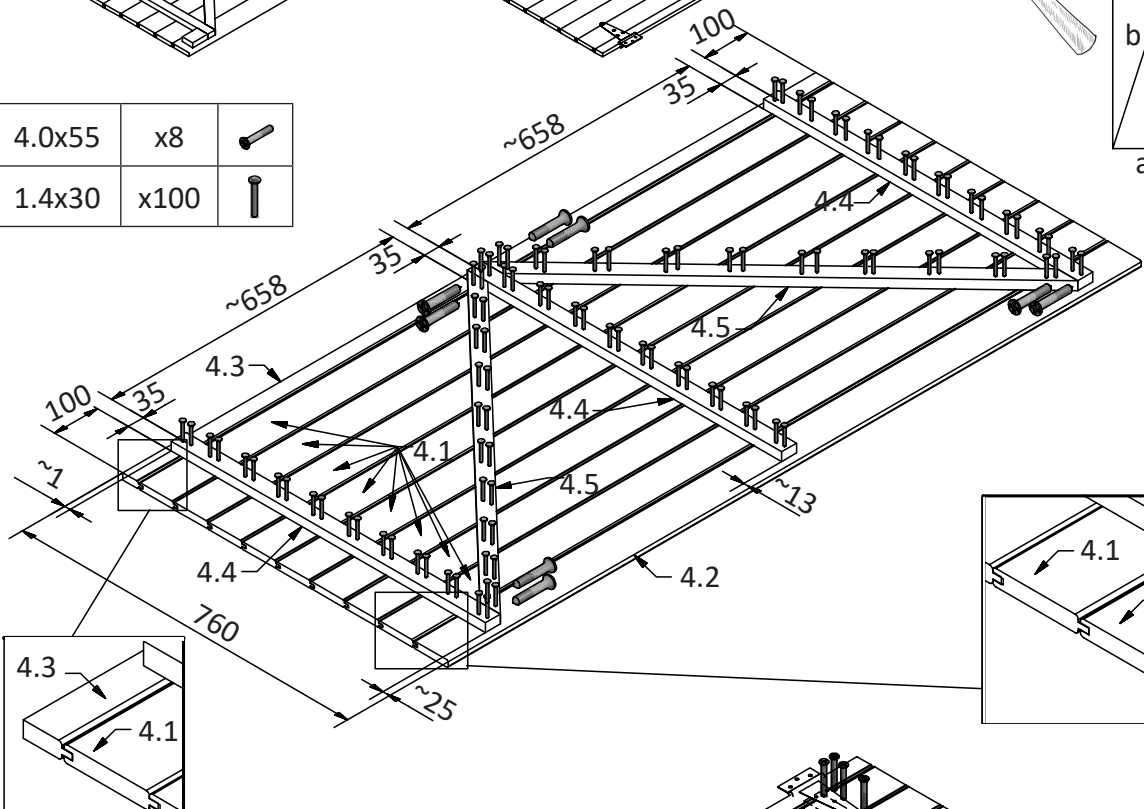


II	4.0x25	x8	
VIII	125x35	x2	

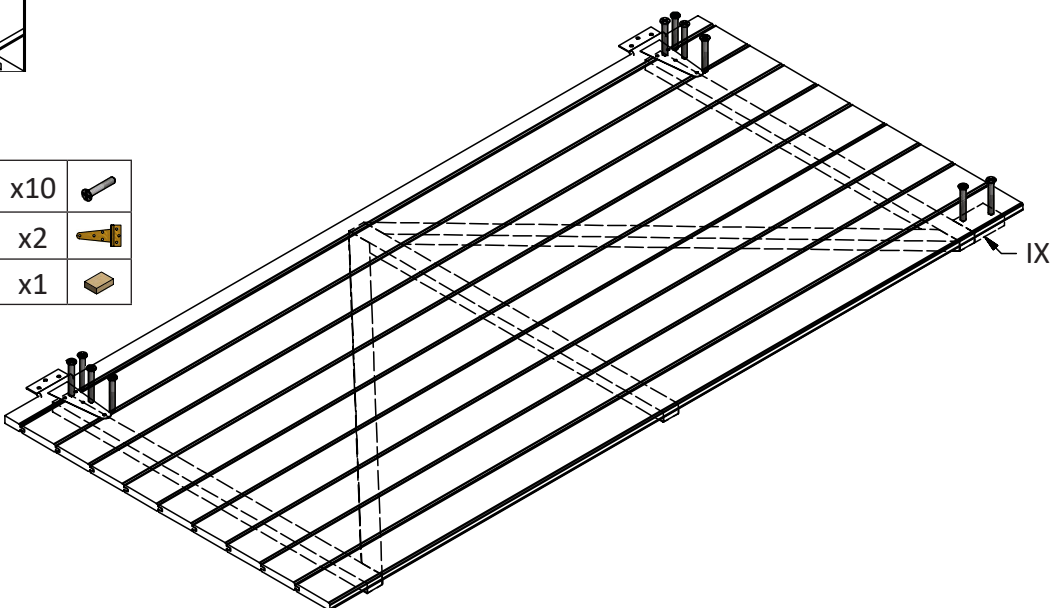




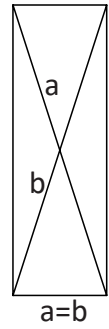
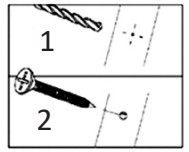
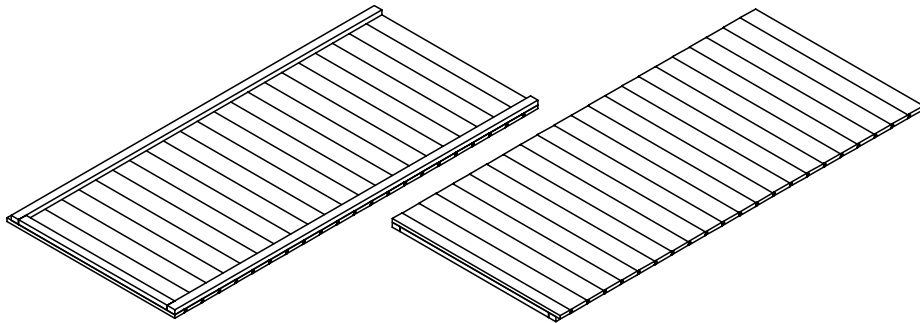
IV	4.0x55	x8	
V	1.4x30	x100	




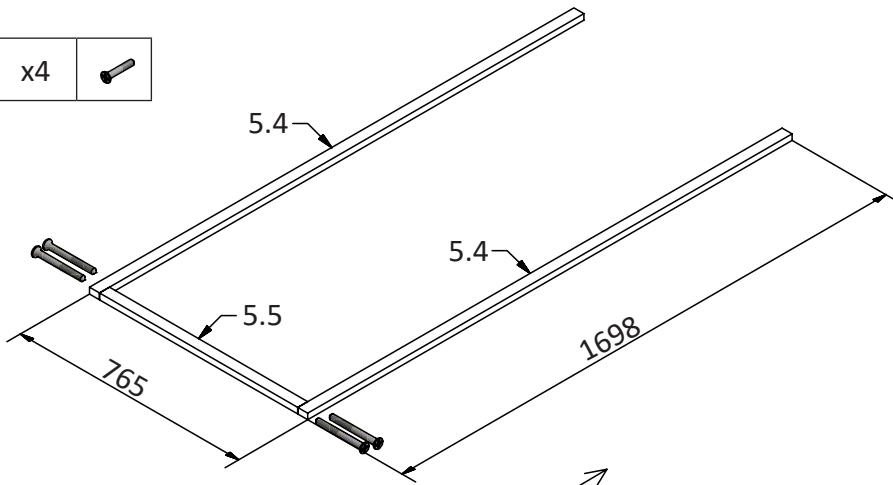
II	4.0x25	x10	
VII	125x35	x2	
IX	25x50x90	x1	




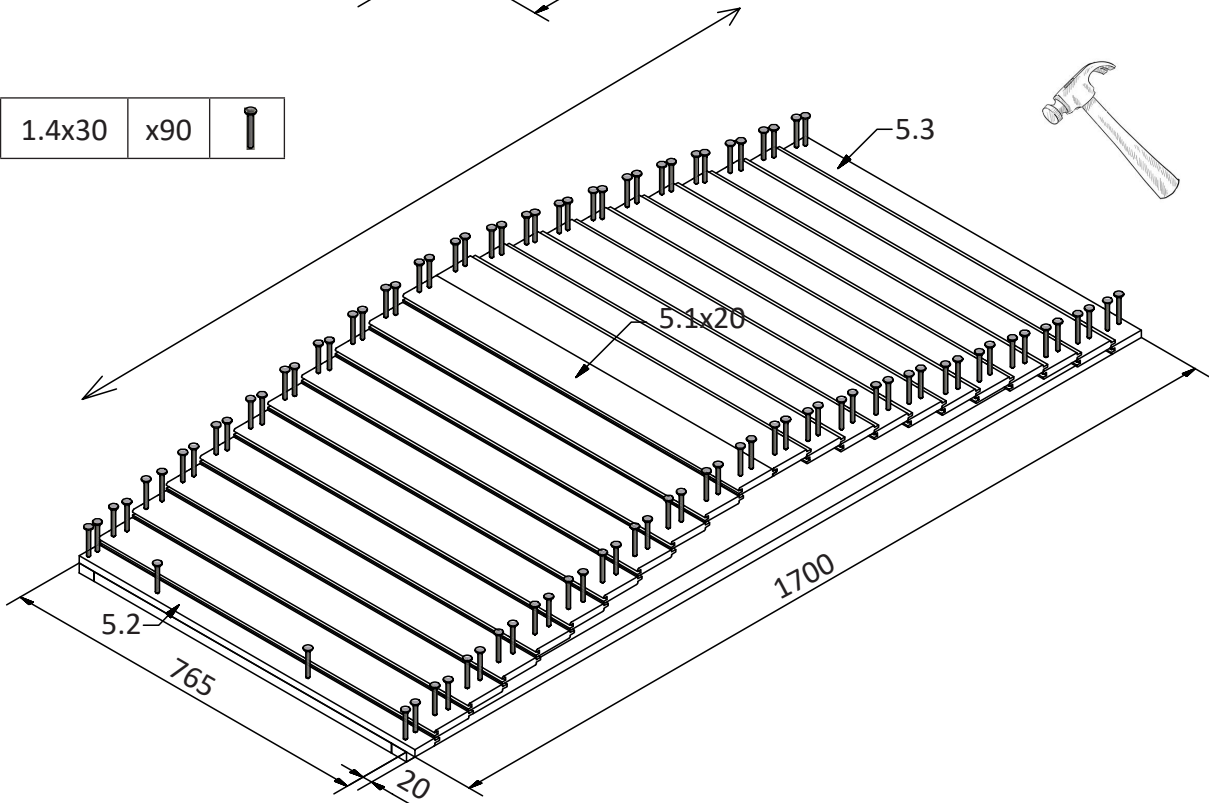
5



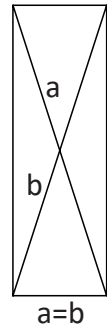
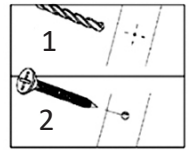
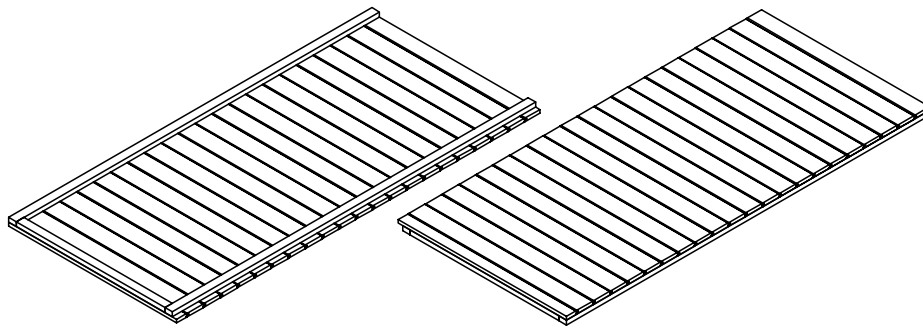
IV	4.0x55	x4	
----	--------	----	---



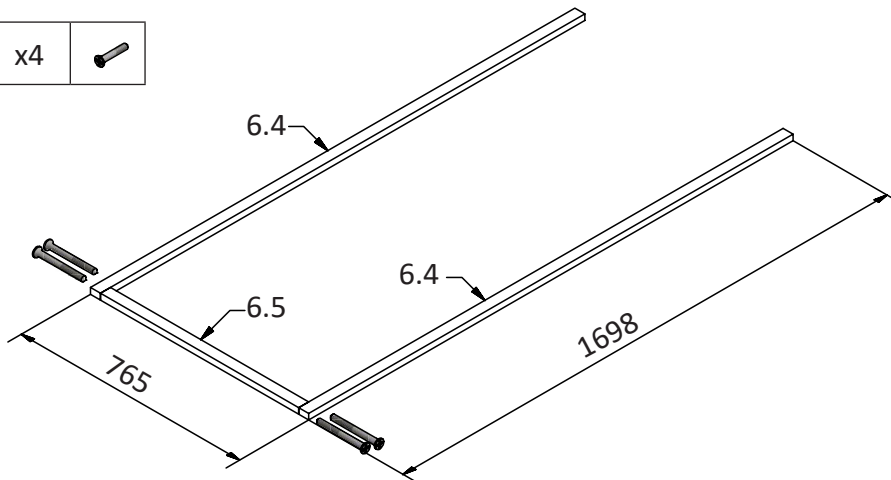
V	1.4x30	x90	
---	--------	-----	---




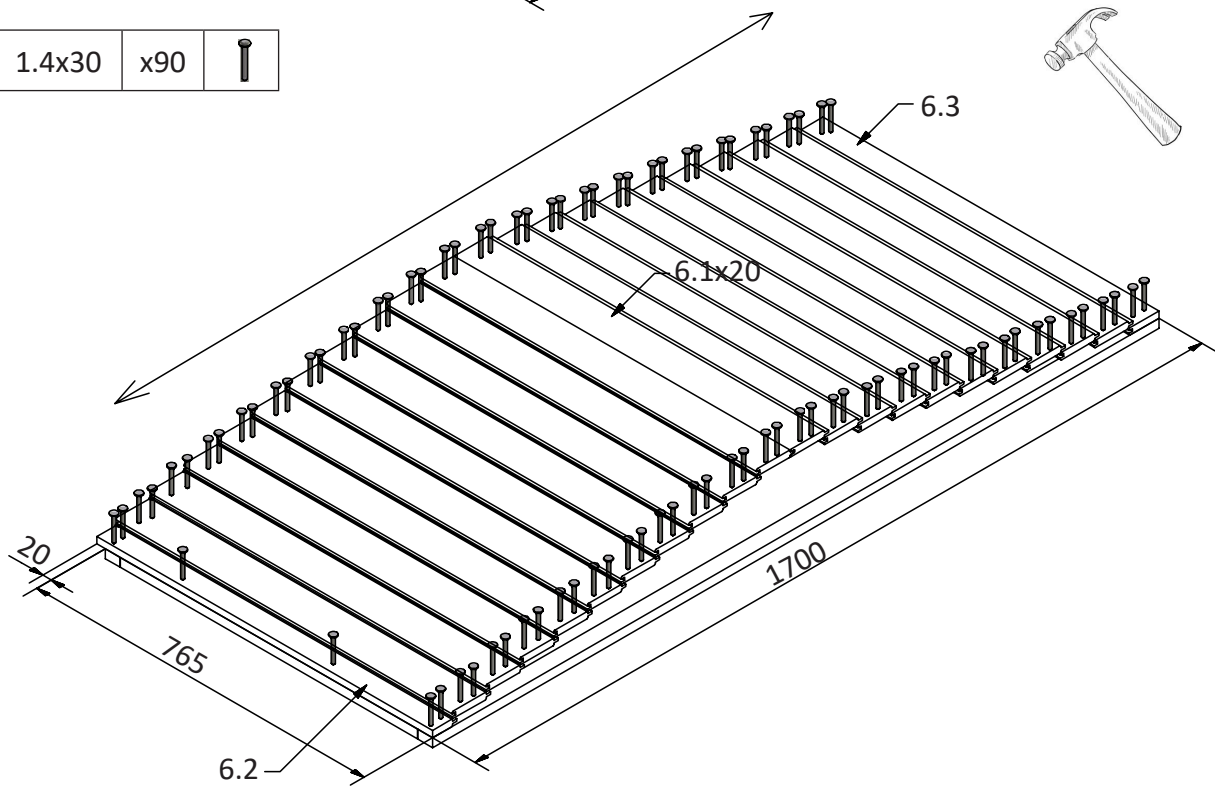
6



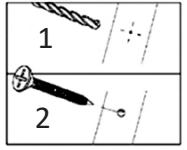
IV	4.0x55	x4	
----	--------	----	---



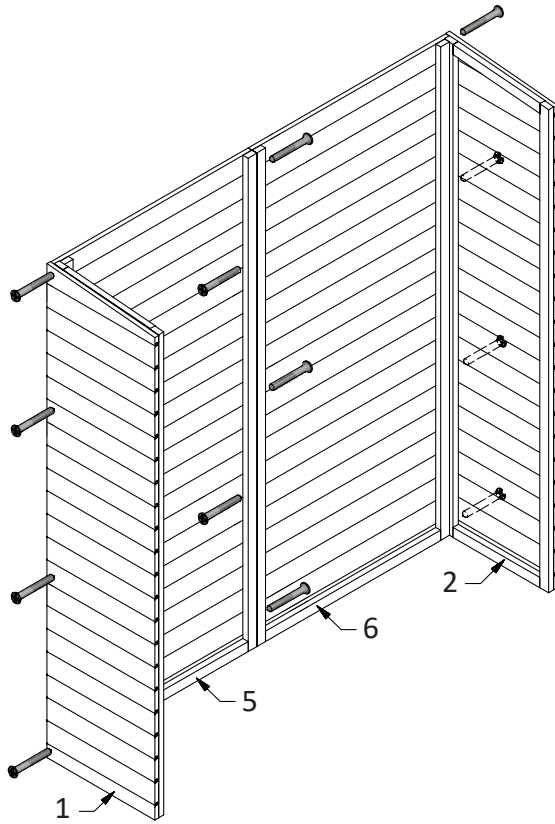
V	1.4x30	x90	
---	--------	-----	---



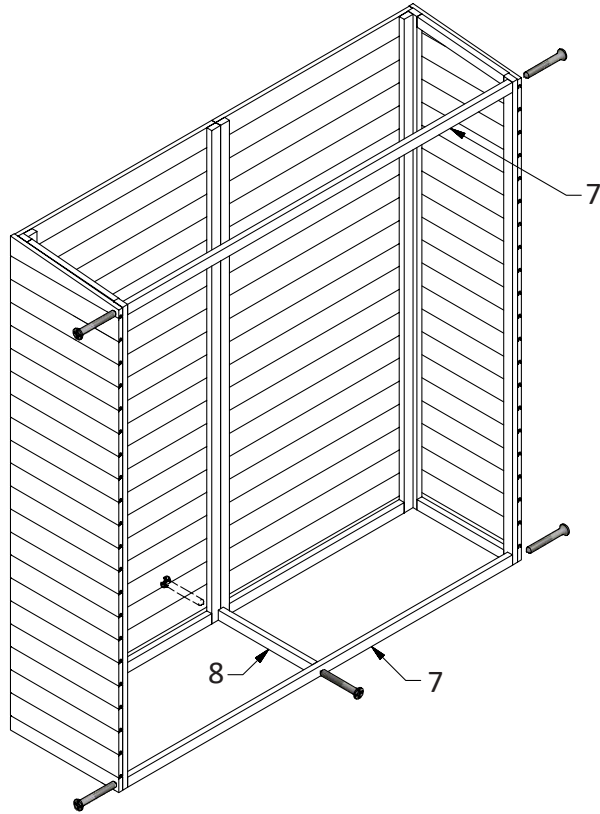
7




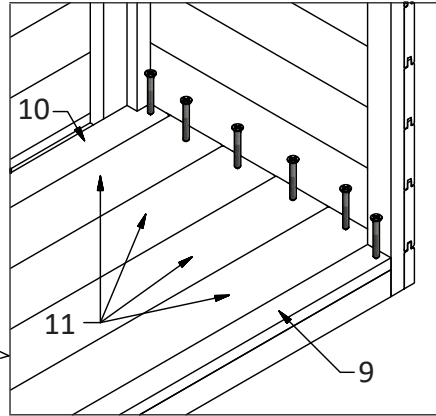
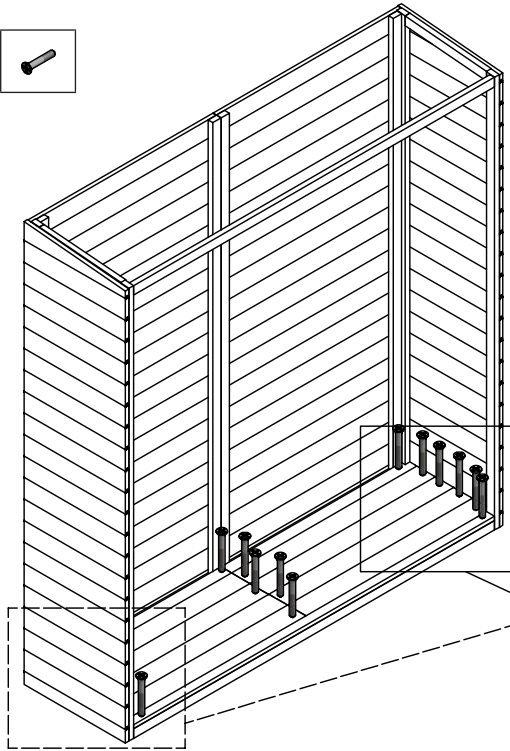
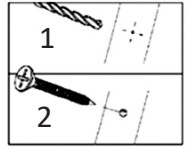
IV	4.0x55	x13	
----	--------	-----	--







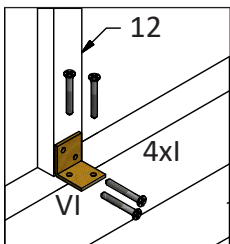
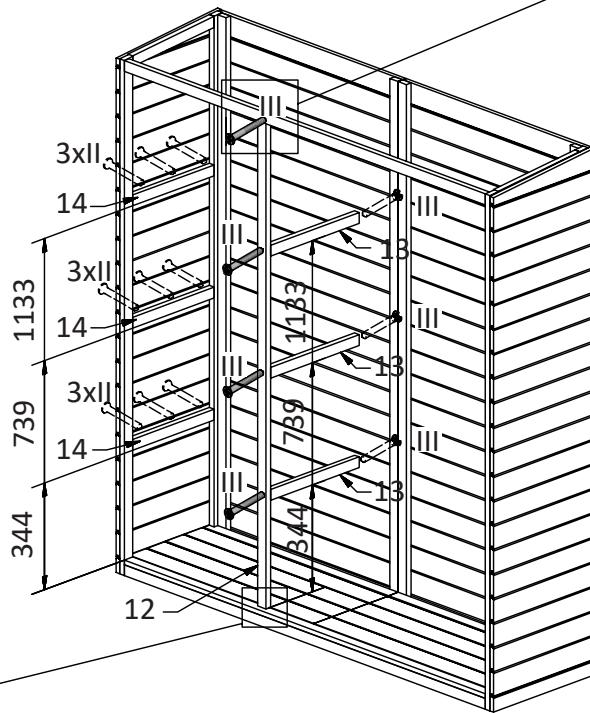
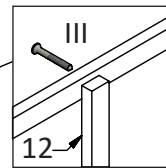
IV	4.0x55	x6	
----	--------	----	--

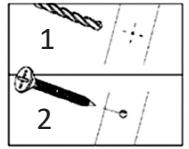


II	4.0x25	x17	
----	--------	-----	---

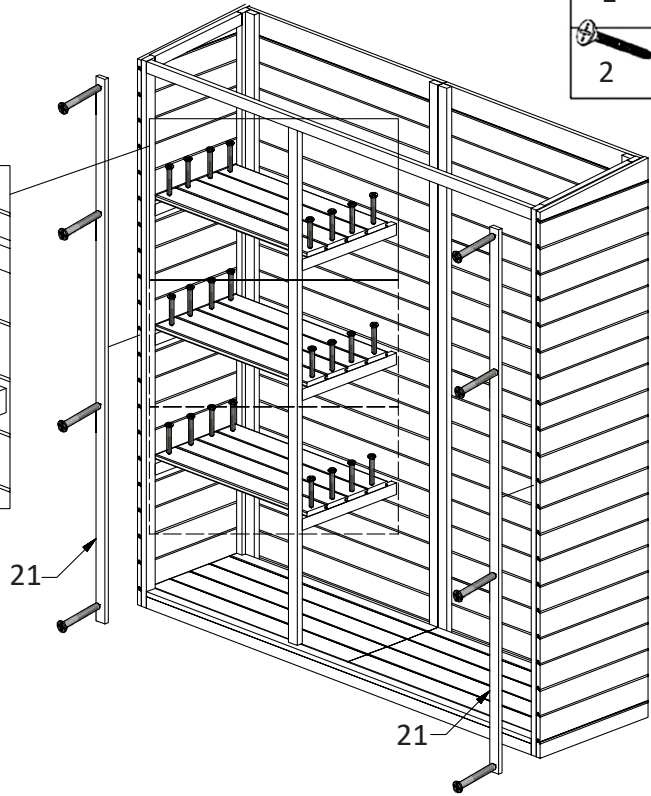
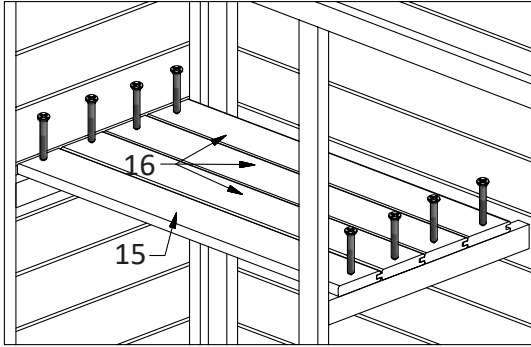


I	4.0x16	x4	
II	4.0x25	x9	
III	4.0x35	x7	
VI	25x25x25	x1	

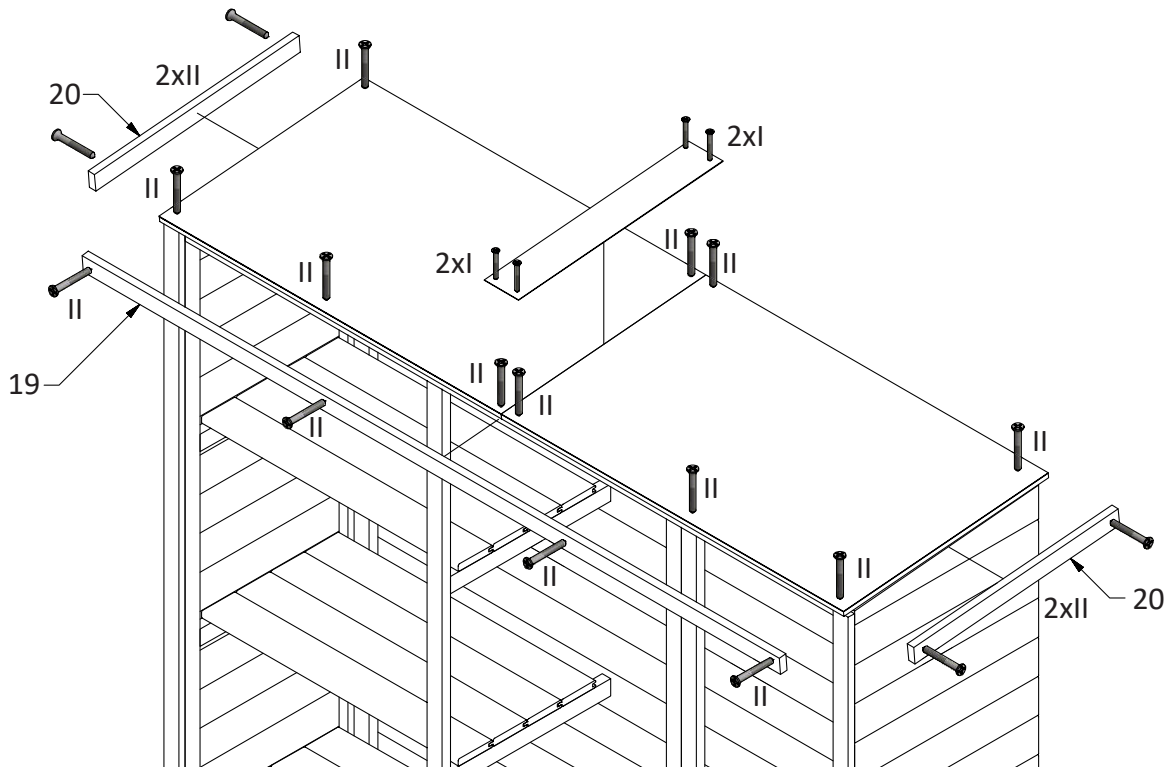








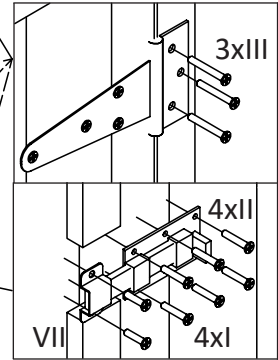
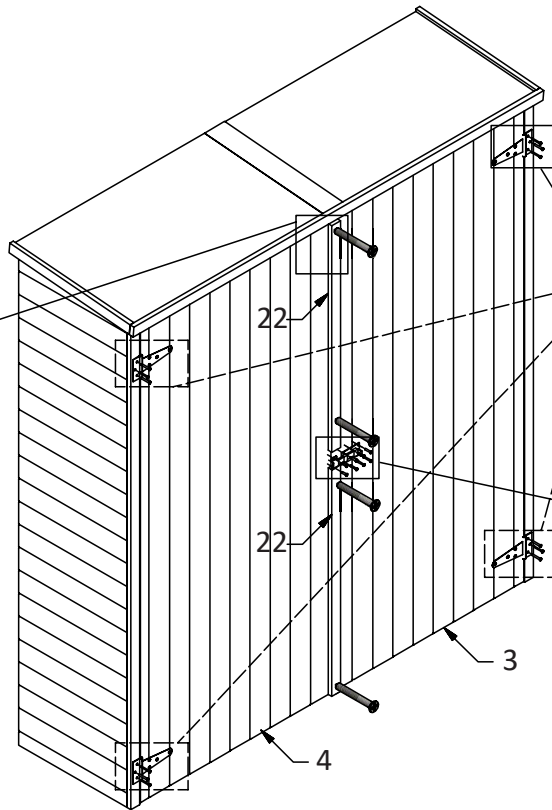
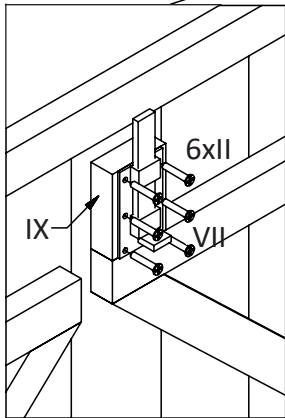
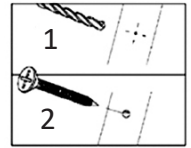
II	4.0x25	x32	
----	--------	-----	--




I	4.0x16	x4	
II	4.0x25	x18	



I	4.0x16	x4	
II	4.0x25	x14	
III	4.0x35	x12	
VII	40x80	1/1	



II	4.0x25	x2	
VI	25x25x25	x1	