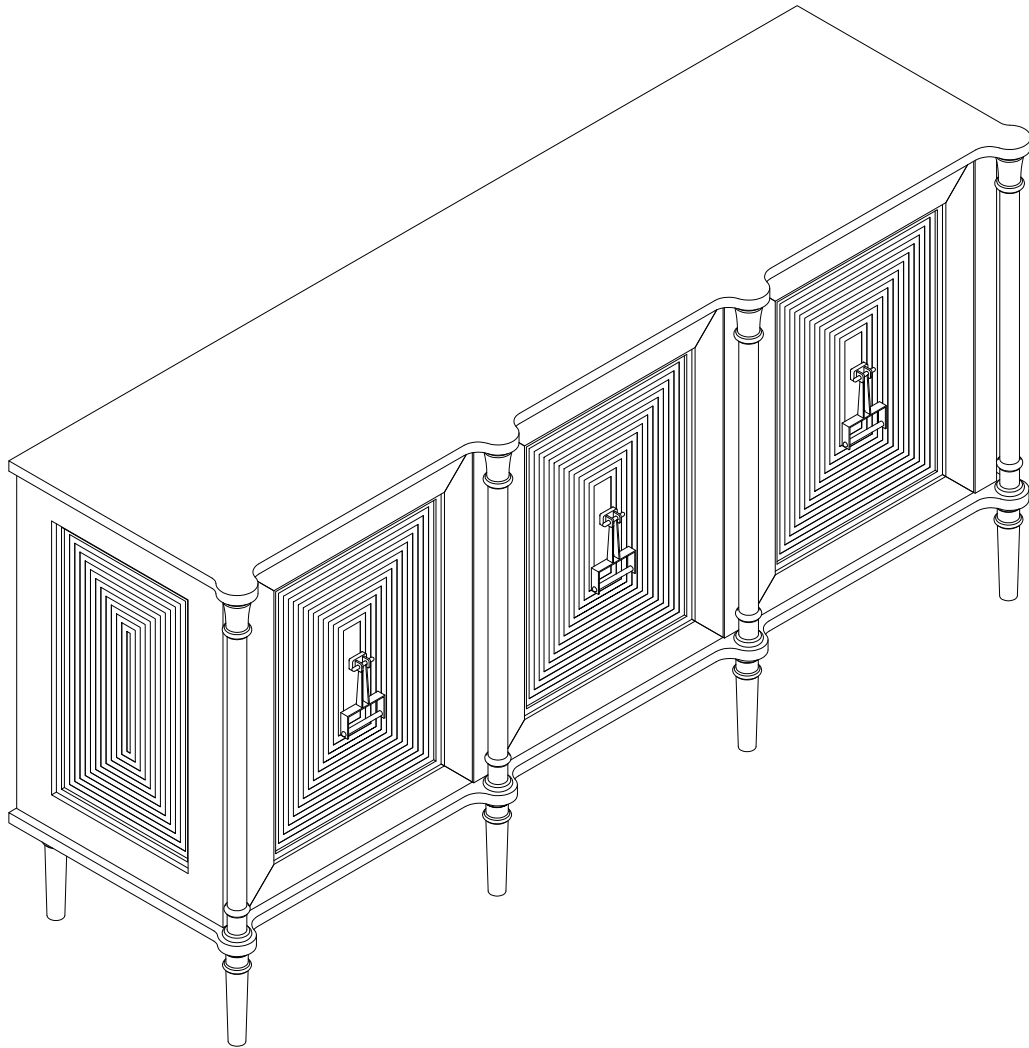


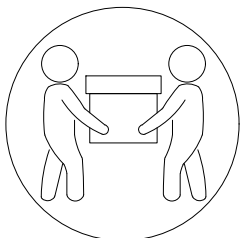
ASSEMBLY INSTRUCTIONS

(1PC/Carton)

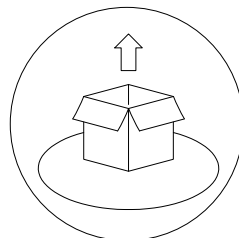


Notice:

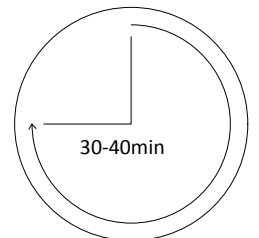
1. Follow the installation instructions. Please confirm all accessories are present before installation.
2. Do not fully tighten the screws during initial assembly. Tighten them completely only after all pieces are correctly aligned.
3. If you encounter any issues during installation, please contact our customer service for assistance.
4. Unbox the item from the side labeled "Open" and lay a protective mat or cloth on the floor to avoid scratches.



Recommended Assembly:
2 people

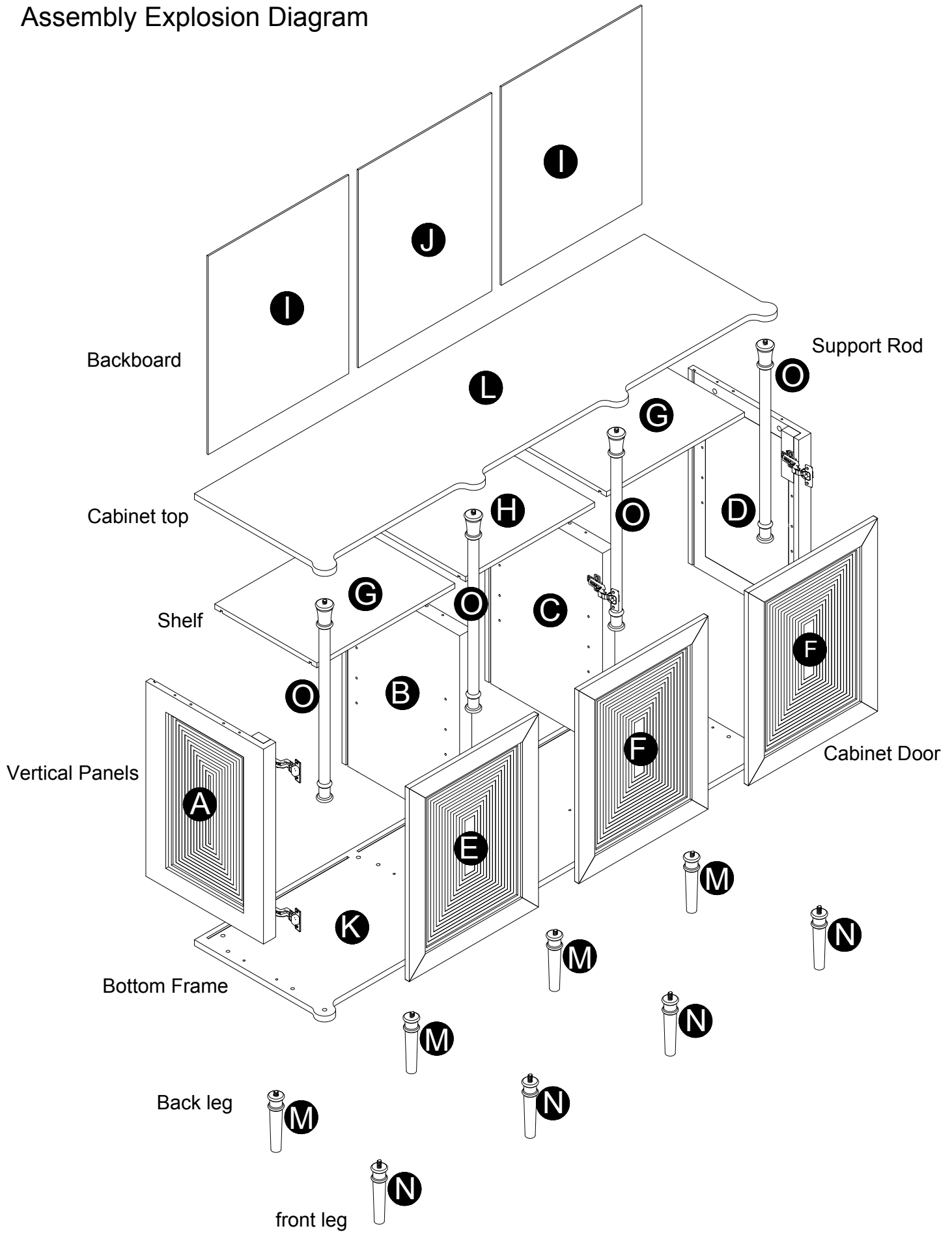



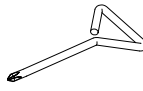
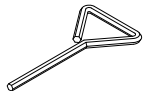

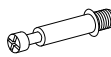


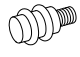
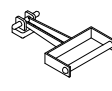
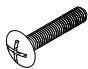

Lay a protective mat
or cloth



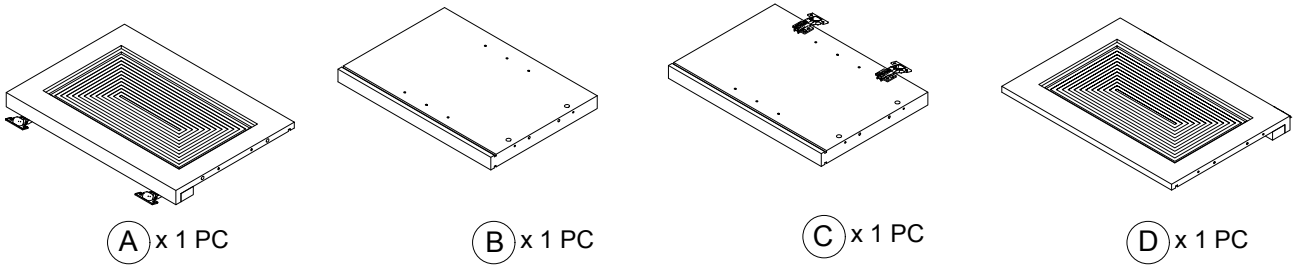
Estimate installation
time

Assembly Explosion Diagram

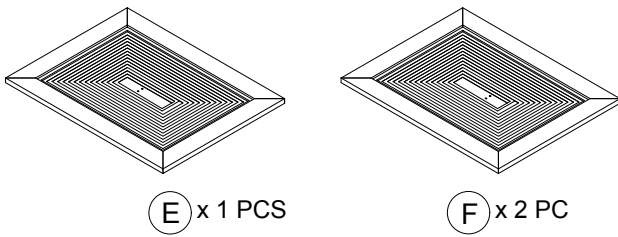


1 x 8 PCS  5/16*35 mm	2 x 1 PC  76*30*5mm	3 x 1 PC  76*30*5mm	4 x 8 PCS  Ø15*11 mm	5 x 8 PCS  Ø6*35 mm	6 x 12 PCS  Ø3*12 mm
7 x 16 PCS  8*8*25 mm	8 x 12 PCS  Ø11*19 mm	9 x 3 PCS 	10 x 6 PCS  Ø4*12 mm	11 x 2 PCS  Anti-Tip Bracket	

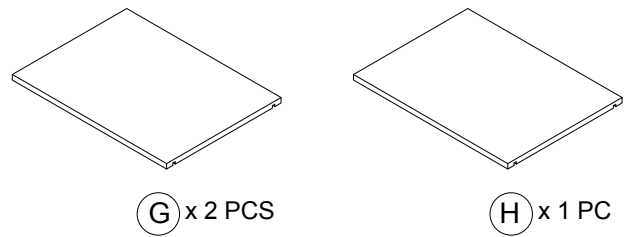
Vertical Panels



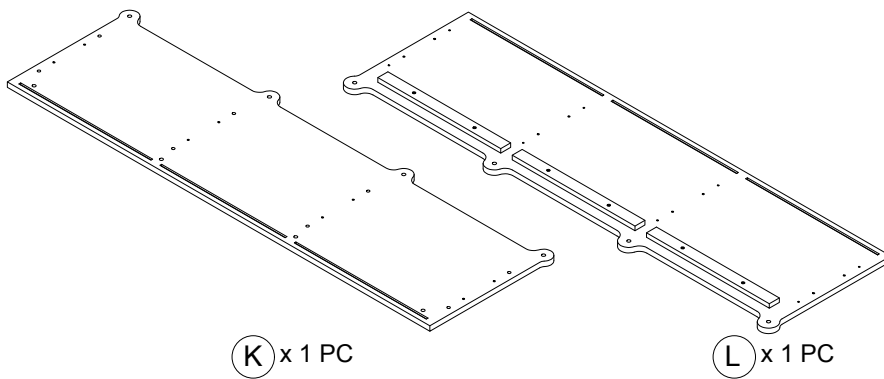
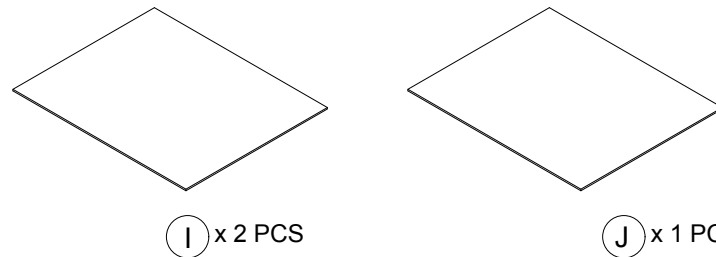
Cabinet Door



Shelf

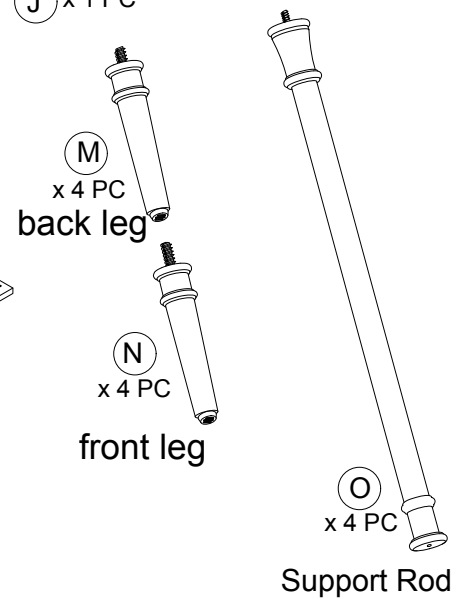


Backboard



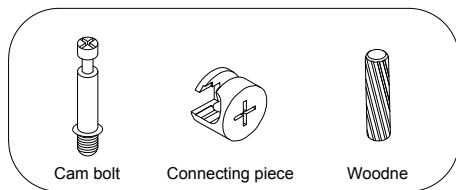
Bottom Frame

Cabinet Top

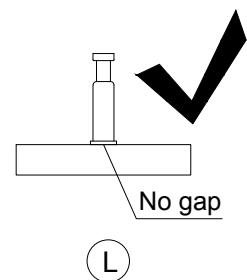
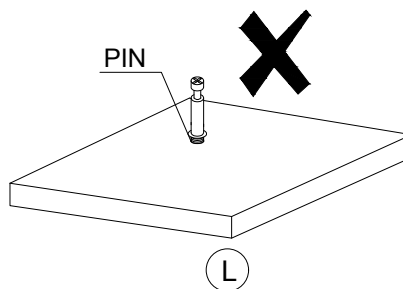
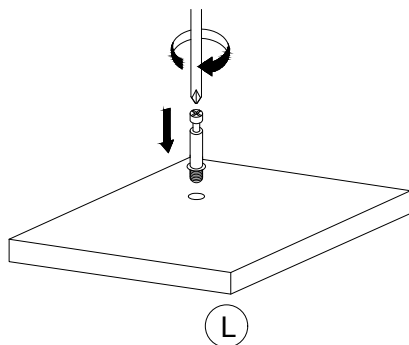


ASSEMBLY INSTRUCTIONS

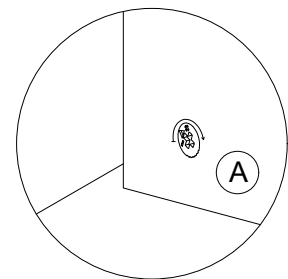
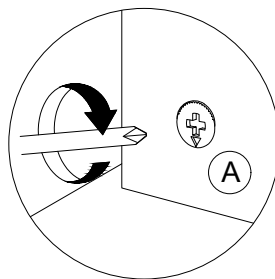
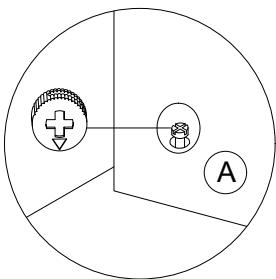
CAM BOLT INSTALLATION AS BELOW



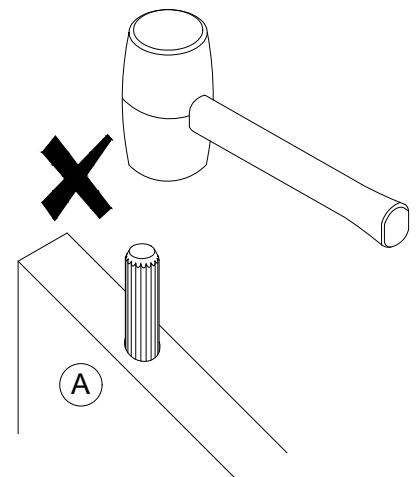
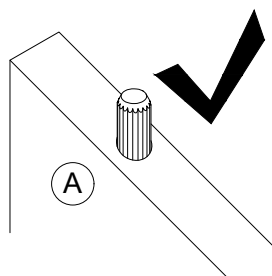
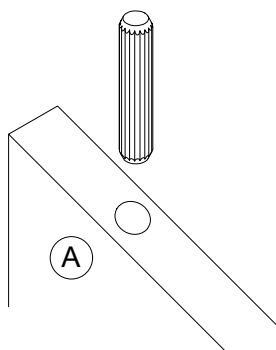
Screw the Cam bolt(5) fully into the wood board.



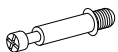
Insert camlock to the cam-bolt head. Then tightening camlock.



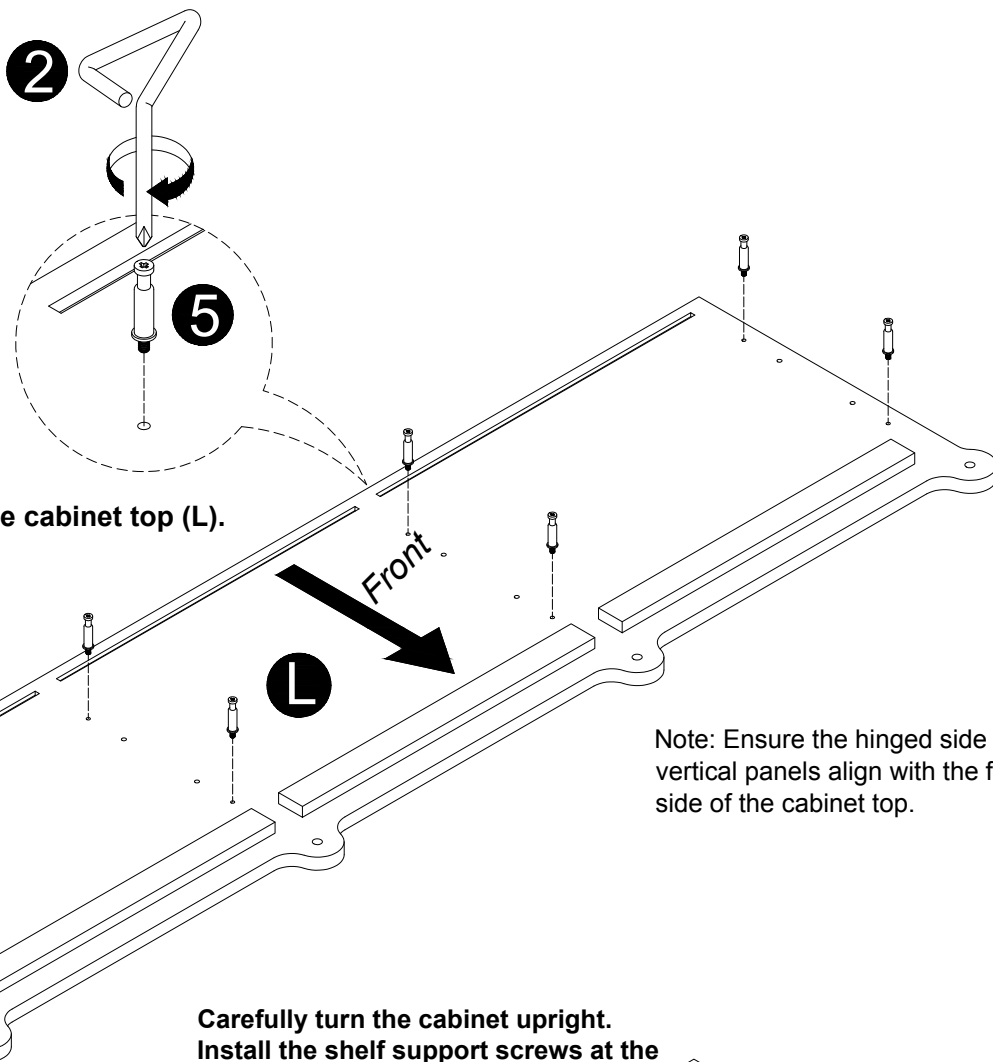
Insert wooden dowel into part A/B/C/D



1 5x 8 PCS



Ø6*35 mm



Install 8 cam bolts into the cabinet top (L).

Note: Ensure the hinged side of the vertical panels align with the front side of the cabinet top.

2 4x 8 PCS



Ø15*11 mm

7x 8 PCS



Ø8*8*25 mm

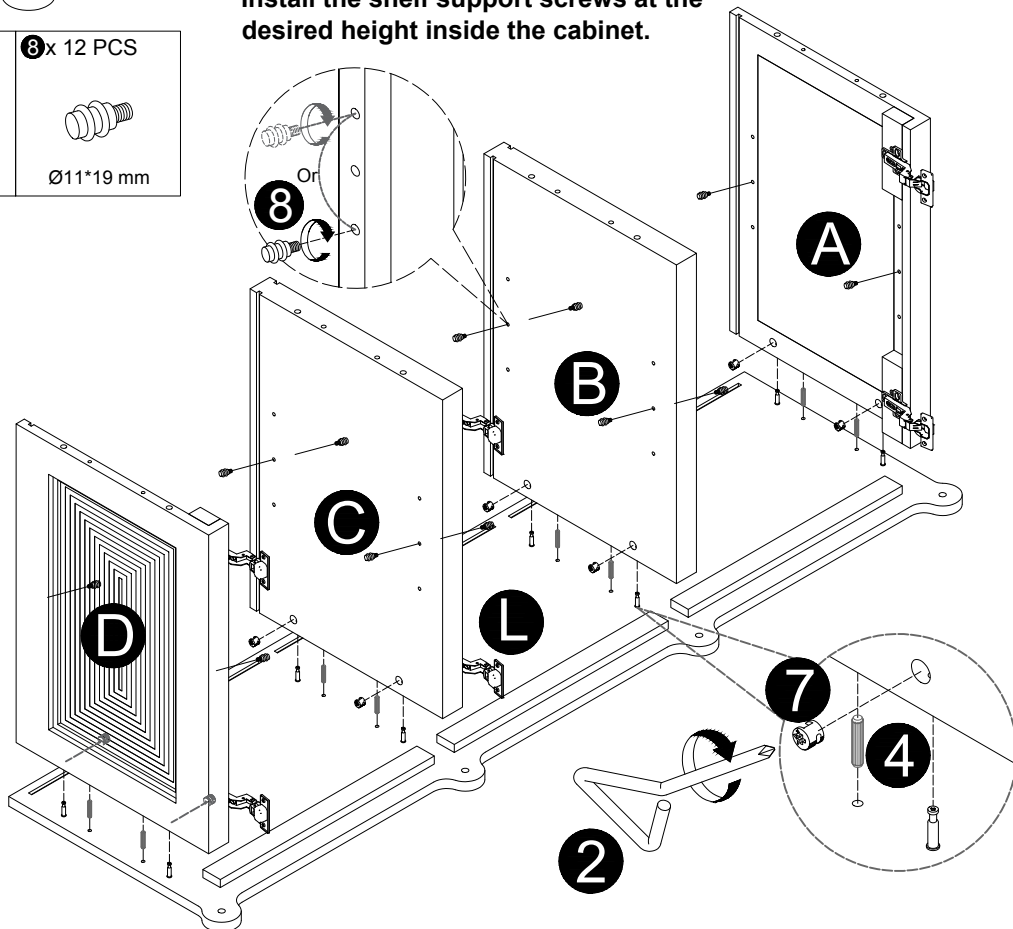
8x 12 PCS



Ø11*19 mm

Insert wood dowels into the 4 vertical panels (A,B,C,D) and align them with the holes on the cabinet top(L). Secure with connecting pieces④ .

Carefully turn the cabinet upright. Install the shelf support screws at the desired height inside the cabinet.

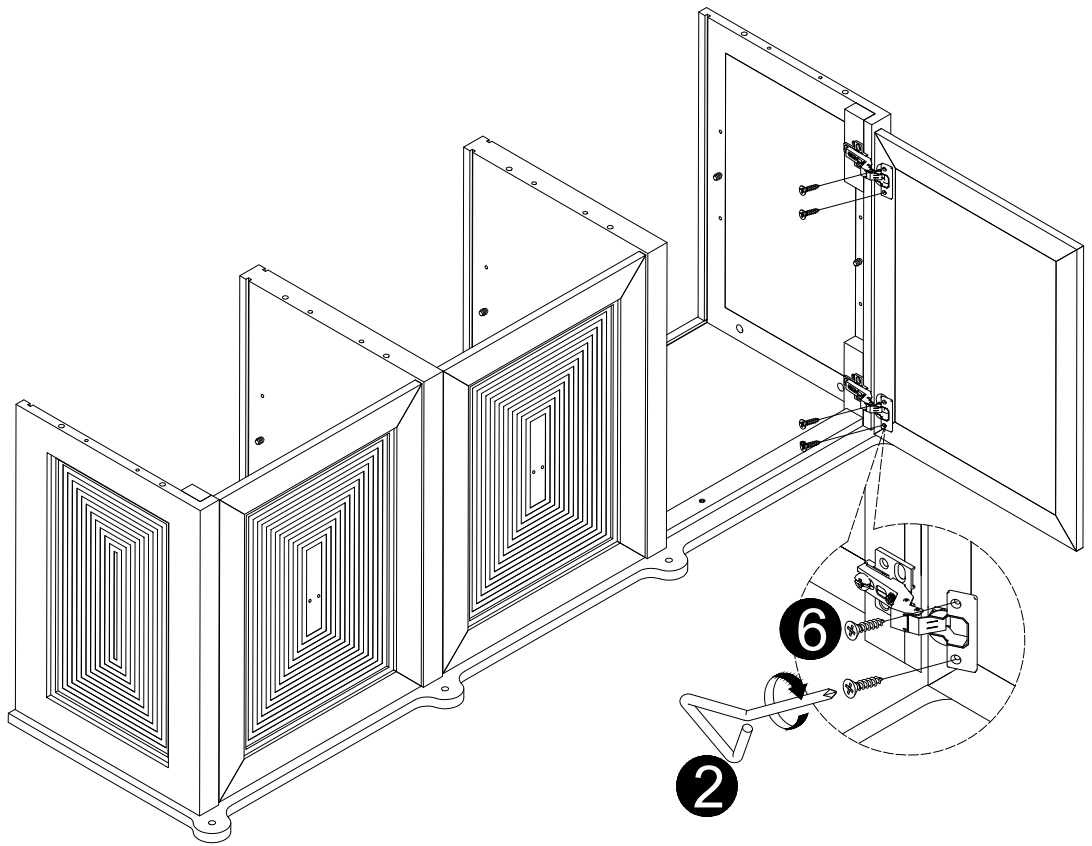


3

6x 12 PCS



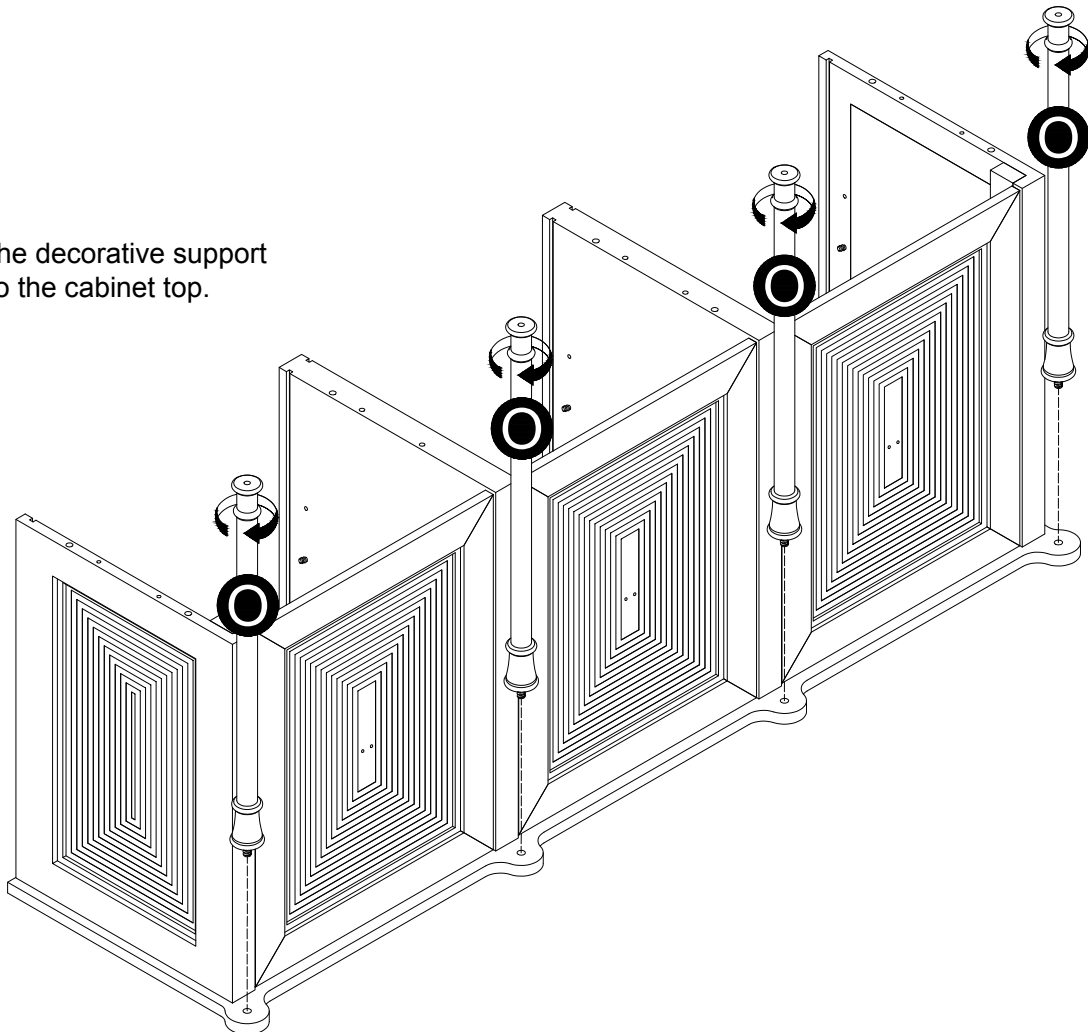
Ø3*12 mm



Attach the cabinet doors to the vertical panels with the hinges.

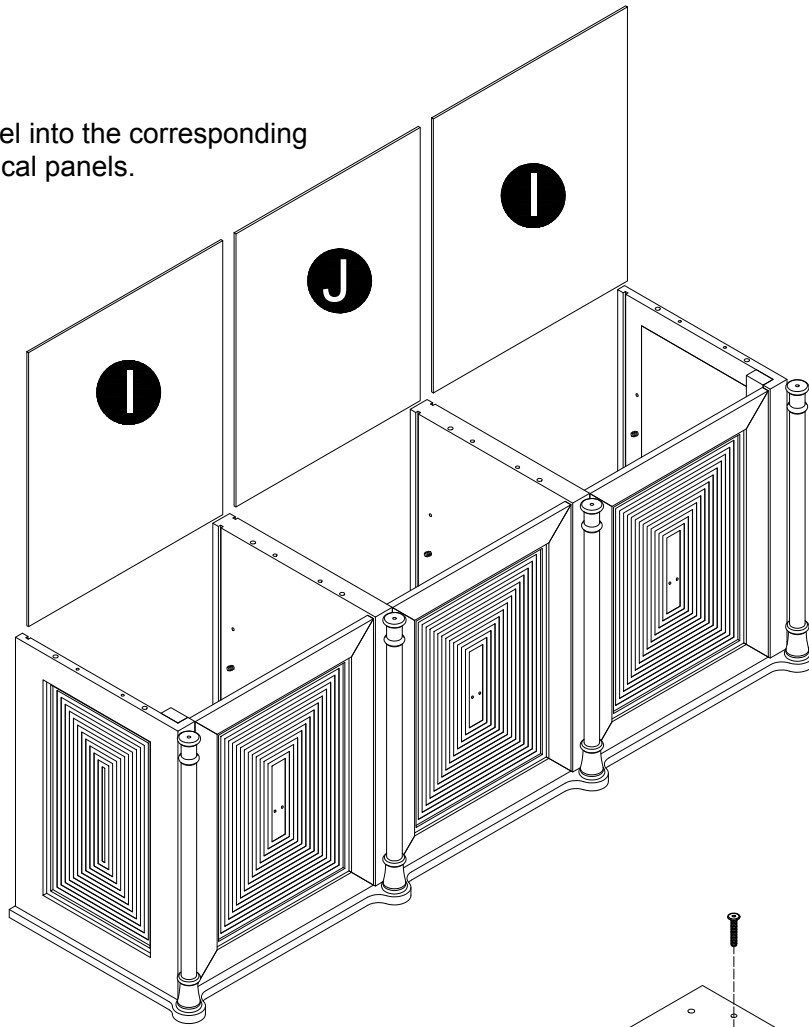
4

Screw the decorative support rods into the cabinet top.



5

Insert the back panel into the corresponding grooves of the vertical panels.



6

1 x 8 PCS



5/16*35 mm

7 x 8 PCS

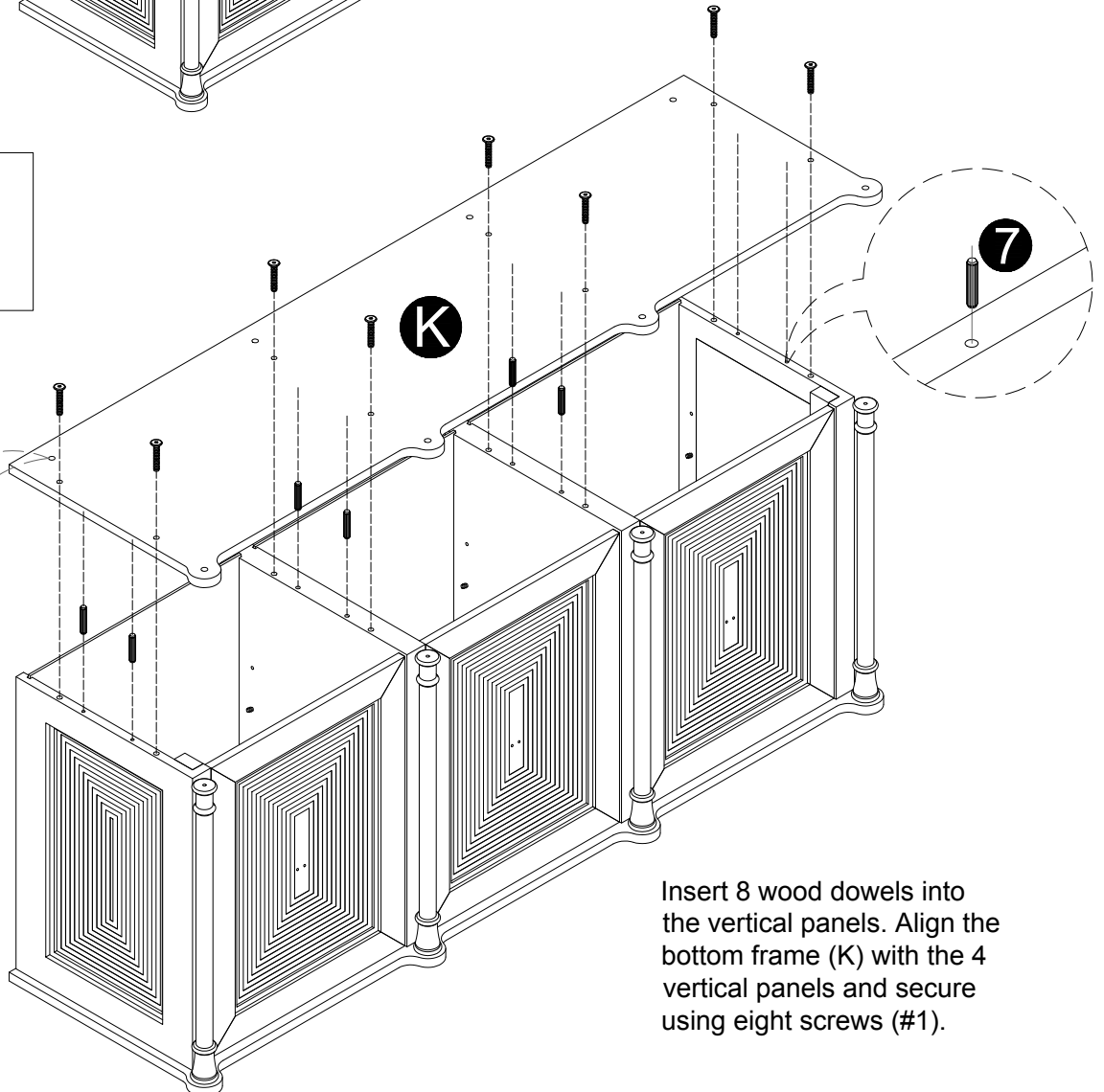


8*8*25 mm

3



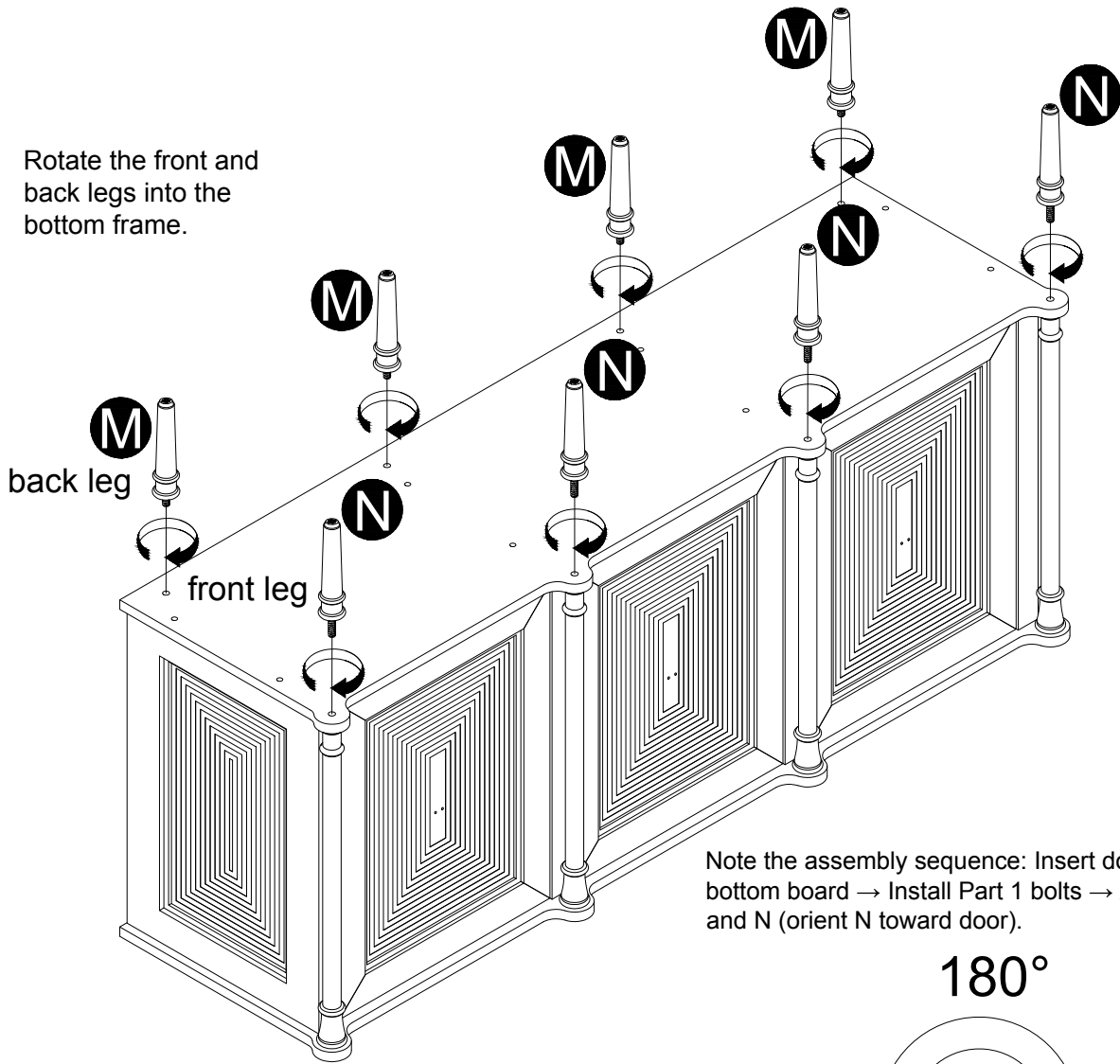
1



Insert 8 wood dowels into the vertical panels. Align the bottom frame (K) with the 4 vertical panels and secure using eight screws (#1).

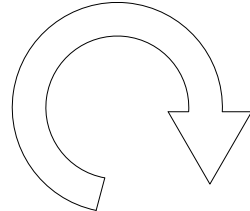
7

Rotate the front and back legs into the bottom frame.



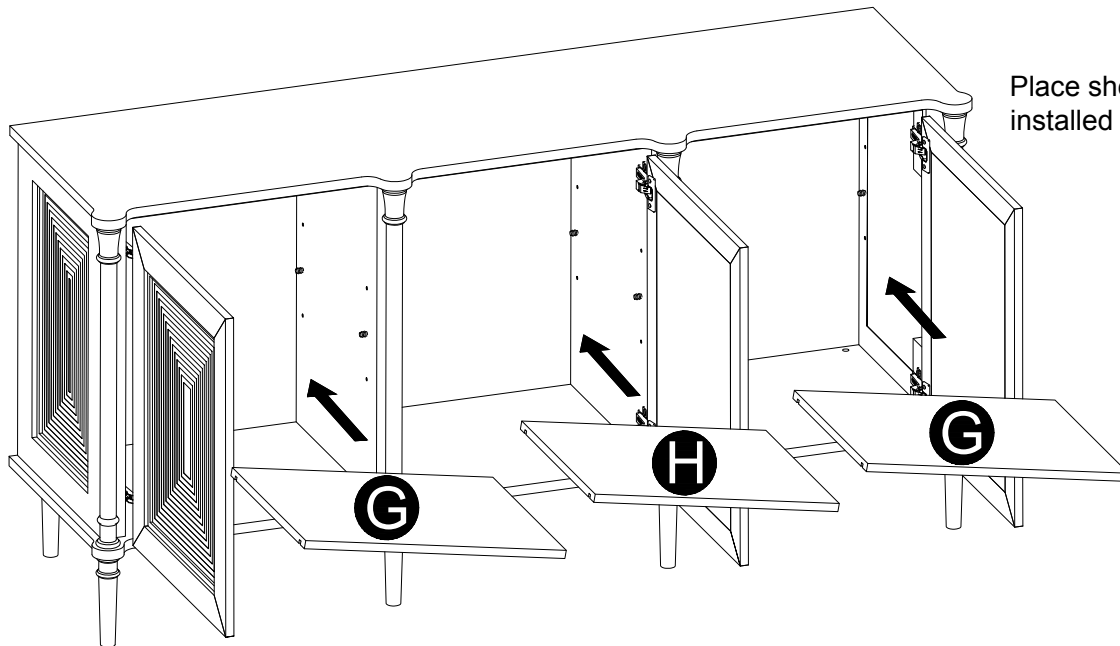
Note the assembly sequence: Insert dowels → Place bottom board → Install Part 1 bolts → Attach feet M and N (orient N toward door).

180°



8

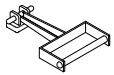
Note: The assembled cabinet requires two adults to flip it over !



Place shelves (H, G) onto the installed shelf support screws.

9

9 x 3 PCS

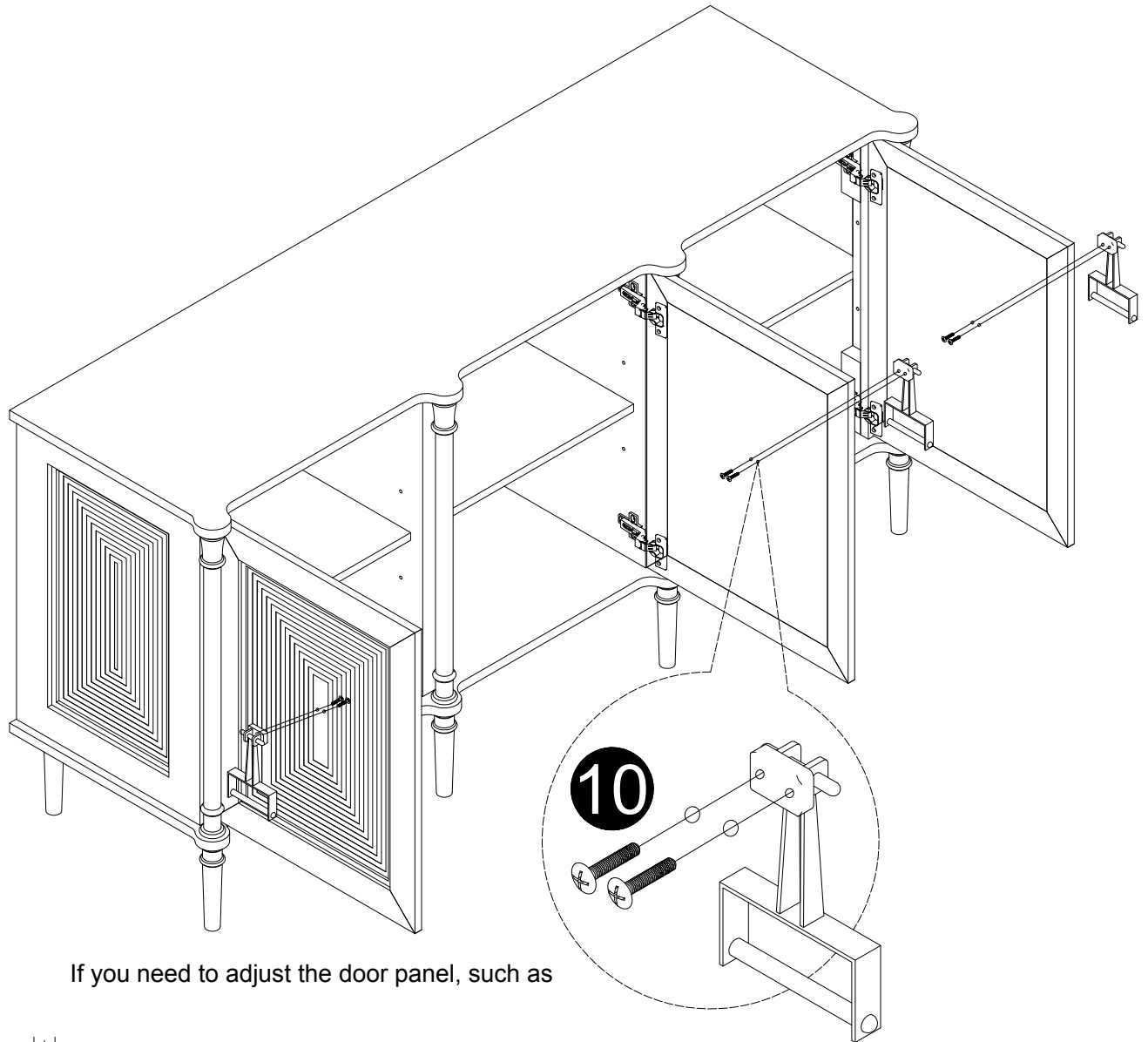


10 x 6 PCS

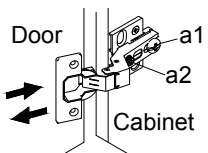


Ø4*12 mm

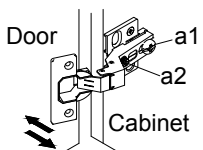
Install the door handles onto the cabinet doors



If you need to adjust the door panel, such as



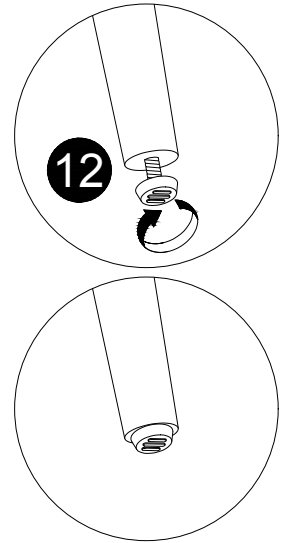
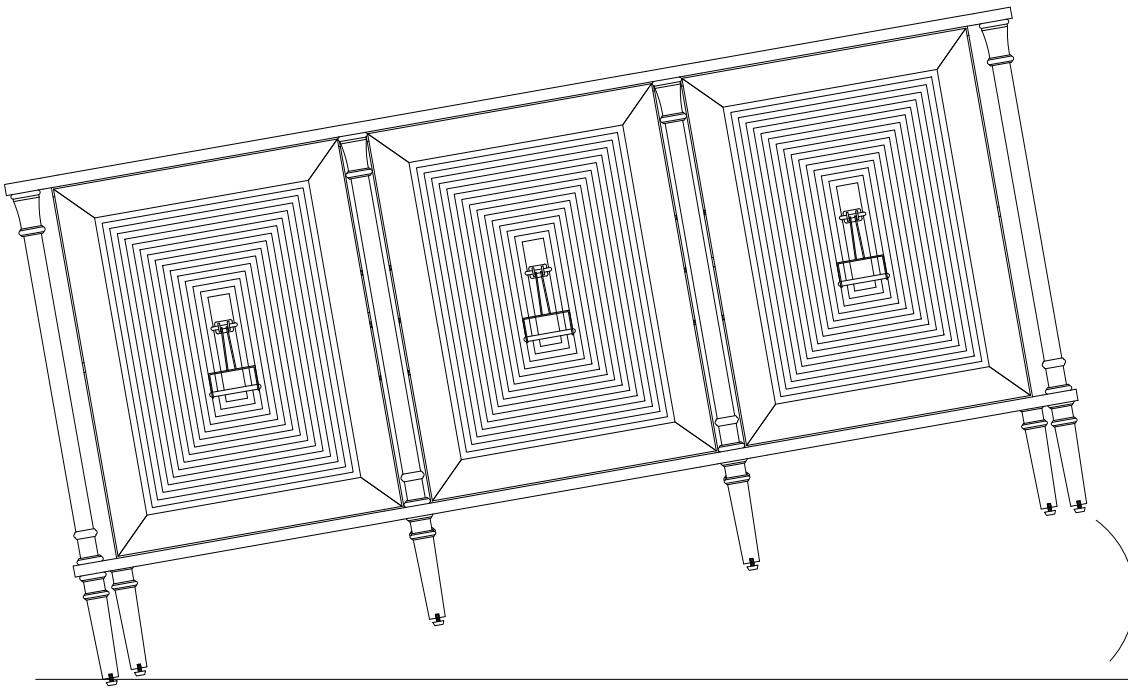
To adjust depth. Loosen screw "a1" and adjust door, if the door can not be adjusted, please loosen screw "a2", then try again. Tighten screw "a1" and "a2".



To adjust side ways. Turning the screw "a2" on BOTH hinges on each door.

10

If the cabinet is not level, rotate the adjustable foot pads located under each leg until the cabinet stands evenly and does not wobble.

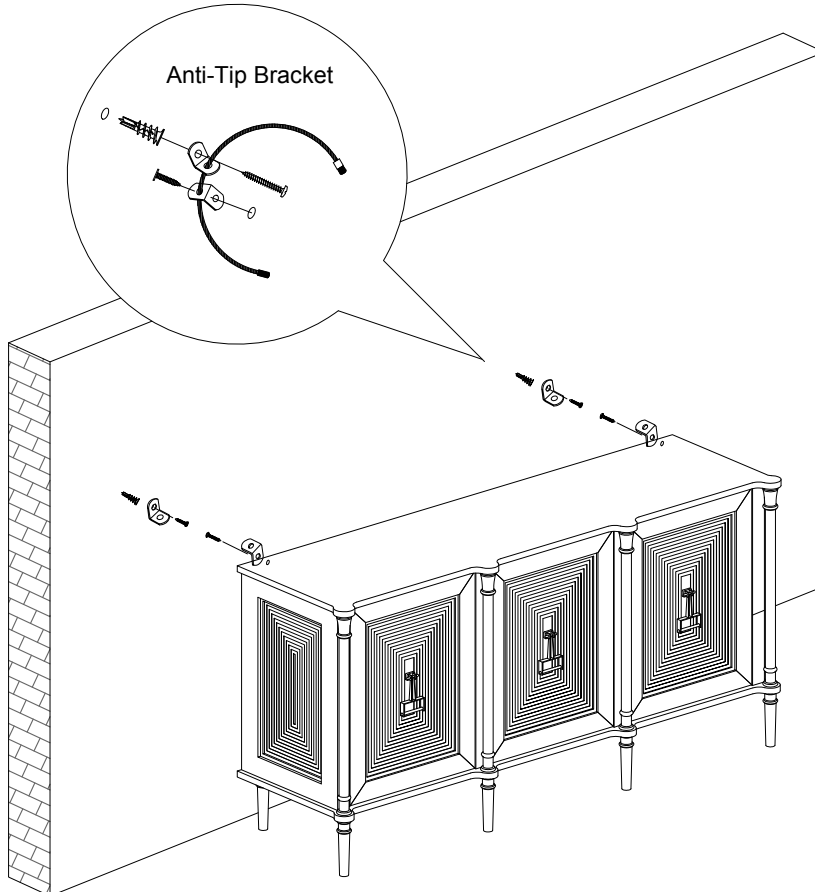


11

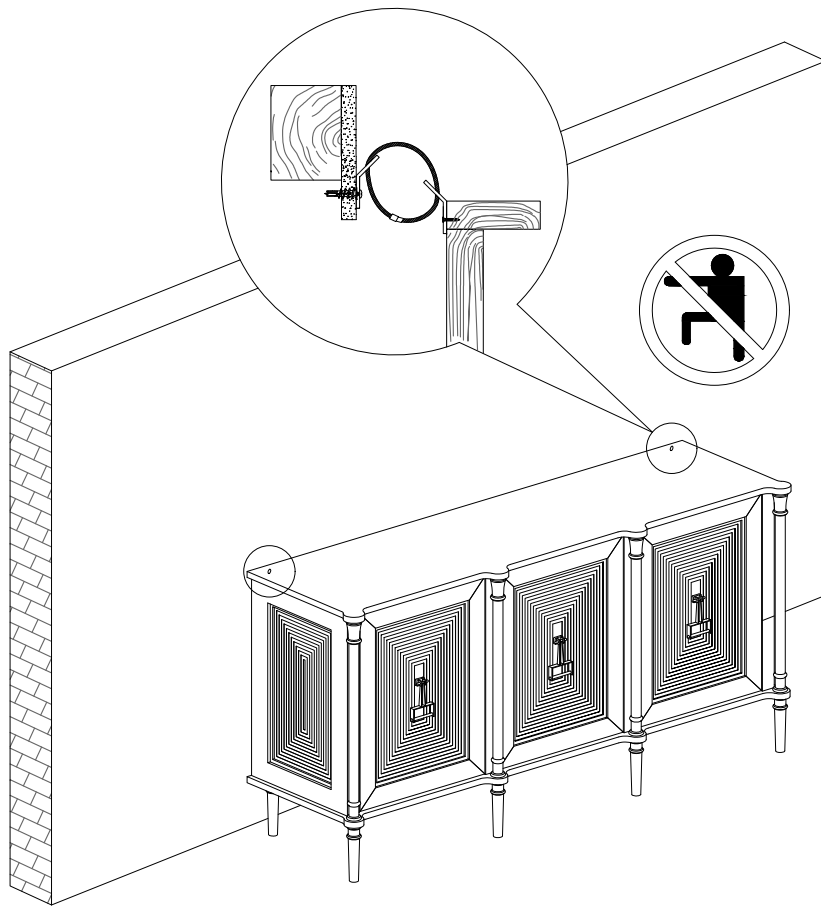
11 x 2 PCS



Anti-Tip Bracket



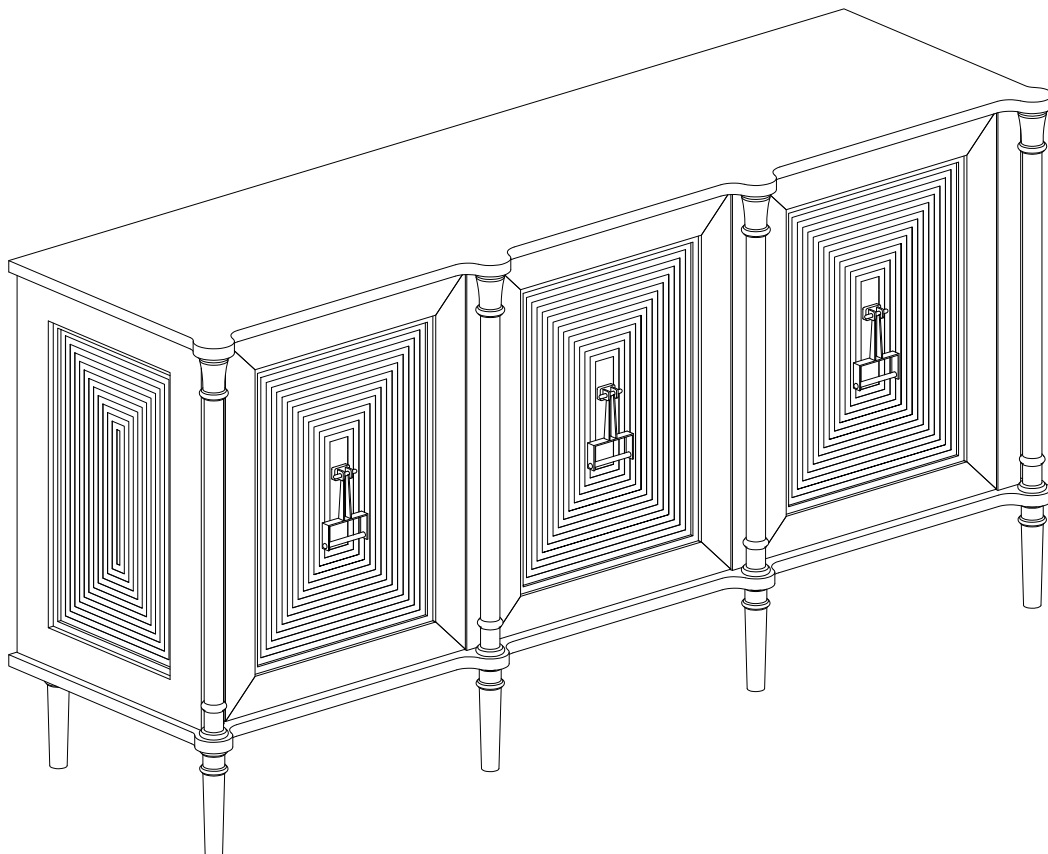
Install the anti-tip device by securing one end to the back of the cabinet and the other end to the wall stud to prevent tipping.



Warning: No Climbing

Safety Notice: Always install tipover restraint provided. Climbing on may result in serious injury. Keep children away from shelves, cabinets.

Do not set TVs or other heavy objects on top of this product. Unless specifically designed to accommodate them.



Completed