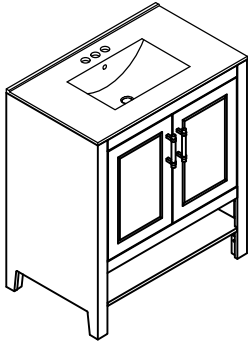


# ASSEMBLY INSTRUCTIONS

Thank you for purchasing this quality Product. Be sure to check all packing material carefully for small parts, which may have come loose inside carton during shipment. Identify and count all parts and compare with the parts list below.

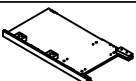















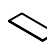
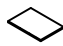





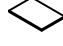
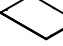

## ASSEMBLY INSTRUCTION:

1. Remove hardware from box and sort by size.
2. Please check to see that all hardware and parts are present prior start of assembly.
3. Please follow attached instruction in the same sequence as numbered above for fast and easy assembly.

## WARNING!

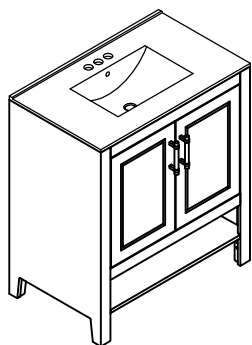
1. Do not attempt to repair or modify parts that are broken or defective. Please contact the store immediately.
2. This product is for home use only and not intended for commercial establishments.
3. Two persons are required for assembly.
4. Approximate assembly time 1/2 hours.
5. Component parts and fittings contained in the box. Please sort out all parts before you begin to assemble the item. This is to make sure you always use the correct part.
6. It is **STRONGLY RECOMMENDED** that you **ANCHOR** this product to a wall or other solid surface, using the anchor straps provided for appropriate fixings.

No.	Component	Q'ty
1	 Side Panel-Left	1
2	 Side Panel-Right	1
3	 Front Rail - Below	1
4	 floor	1
5	 Bottom	1
6	 Back Panel - Up	1
7	 Back Panel - Low	1
8	 Door-Left	1
9	 Door-Right	1
10	 Front Drawer Panel -Left	1
11	 Back Drawer Panel -Left	1
12	 Sides Drawer Panel -Left	1

No.	Component	Q'ty
13	 Sides Drawer Panel -Top (R)	1
14	 Sides Drawer Panel -Bottom (R)	1
15	 Bottom Drawer Panel - Top	2
16	 Bottom Drawer Panel - Bottom(L)	1
17	 Front Drawer Panel -Right	1
18	 Back Drawer Panel -Right	1
19	 Sides Drawer Panel -Top (L)	1
20	 Sides Drawer Panel -Bottom (L)	1
21	 Sides Drawer Panel -Right	1
22	 Bottom Drawer Panel - Bottom(R)	1
23	 Back Panel	2
24	 Sink	1

# ASSEMBLY INSTRUCTIONS

Thank you for purchasing this quality Product. Be sure to check all packing material carefully for small parts, which may have come loose inside carton during shipment. Identify and count all parts and compare with the parts list below.

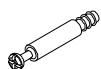

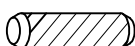
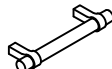




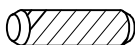




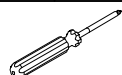
## ASSEMBLY INSTRUCTION:

1. Remove hardware from box and sort by size.
2. Please check to see that all hardware and parts are present prior start of assembly.
3. Please follow attached instruction in the same sequence as numbered above fast and easy assembly.

## WARNING!

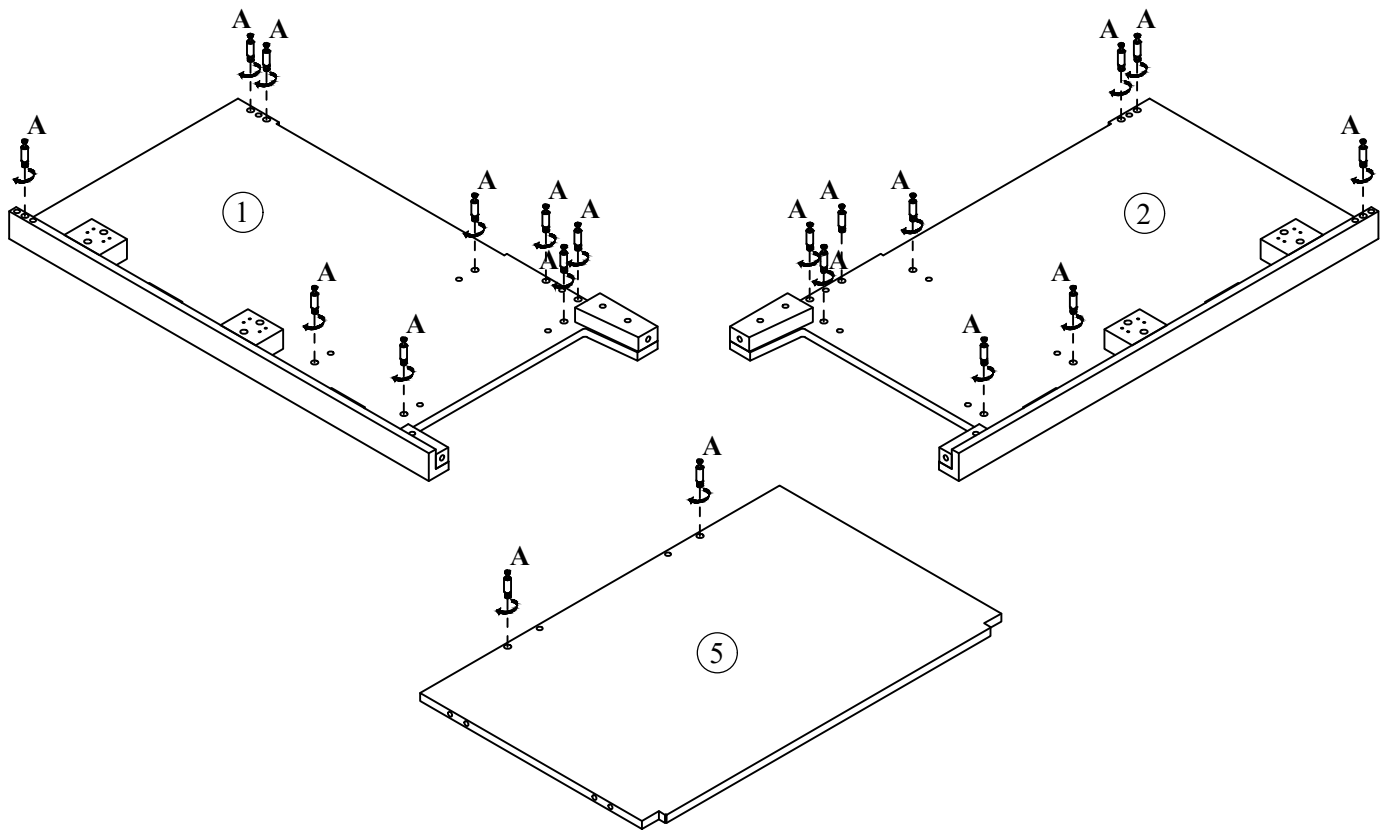
1. Do not attempt to repair or modify parts that are broken or defective. Please contact the store immediately.
2. This product is for home use only and not intended for commercial establishments.
3. Two persons are required for assembly.
4. Approximate assembly time 1/2 hours.
5. Component parts and fittings contained in the box. Please sort out all parts before you begin to assemble the item. This is to make sure you always use the correct part.
6. It is **STRONGLY RECOMMENDED** that you **ANCHOR** this product to a wall. Tipping furniture can cause serious injuries and death. To prevent your furniture from tipping forward it is strongly recommended that you securely attach this product to a wall or other solid surface, using the anchor straps provided appropriate fixings.

No.	Hardware	Q'ty
A	 Cam Lock Screws	20
B	 Cam Lock	20
C	 Wooden $\varnothing 8 \times 30 \text{mm}$	18
D	 Handle	2
E	 Screws $\varnothing 5/32" \times 20 \text{mm}$	4
F	 Hinges	4
G	 Screws $\varnothing 7 \times \varnothing 3.5 \times 12 \text{mm}$	24
H	 Screws $\varnothing 7 \times \varnothing 3.5 \times 12 \text{mm}$	14
I	 Wooden $\varnothing 6 \times 30 \text{mm}$	24
J	 Screws $\varnothing 8 \times \varnothing 4 \times 32 \text{mm}$	40
K	 Anti fall hardware (sets)	1



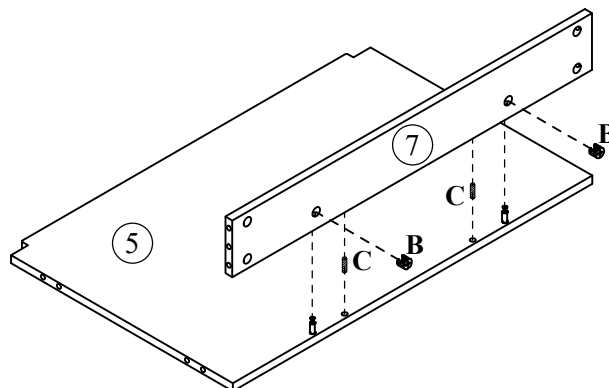
Not Included

### Step 1



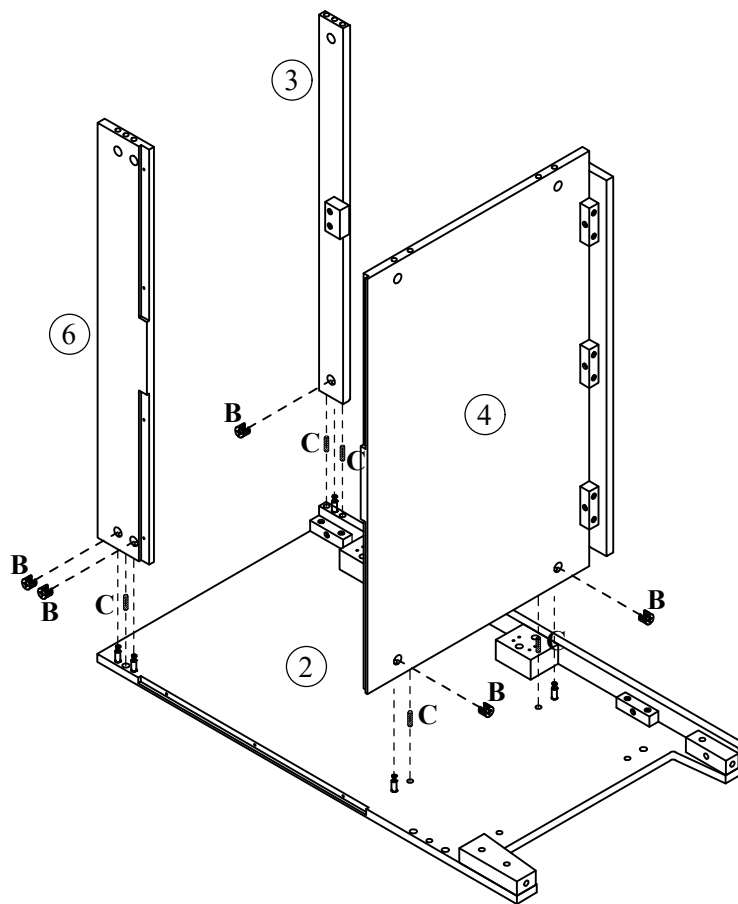
No	Hardware	Q'ty
A	Cam Lock Screws	20

### Step 2



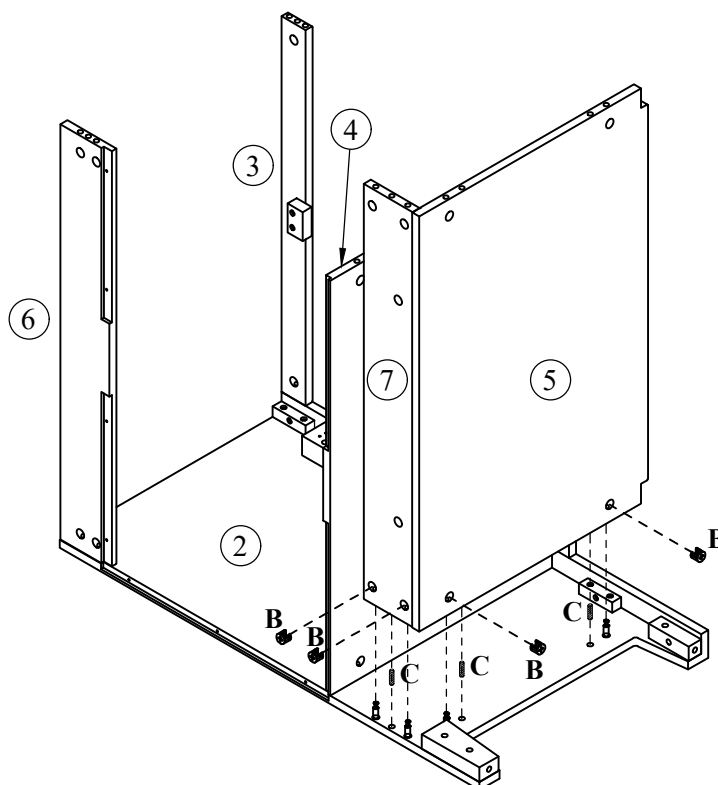
No	Hardware	Q'ty
B	Cam Lock	2
C	Wooden $\varnothing 8 \times 30 \text{mm}$	2

### Step 3



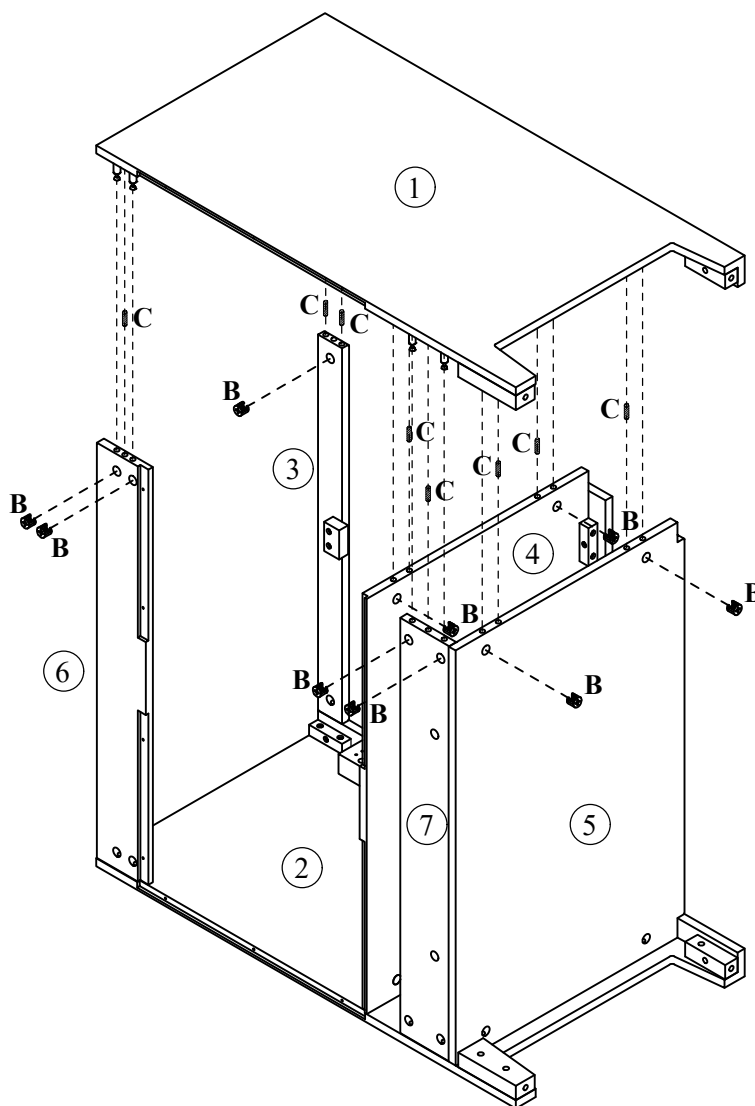
No	Hardware	Q'ty
B	Cam Lock	5
C	Wooden ø8x30mm	5

### Step 4



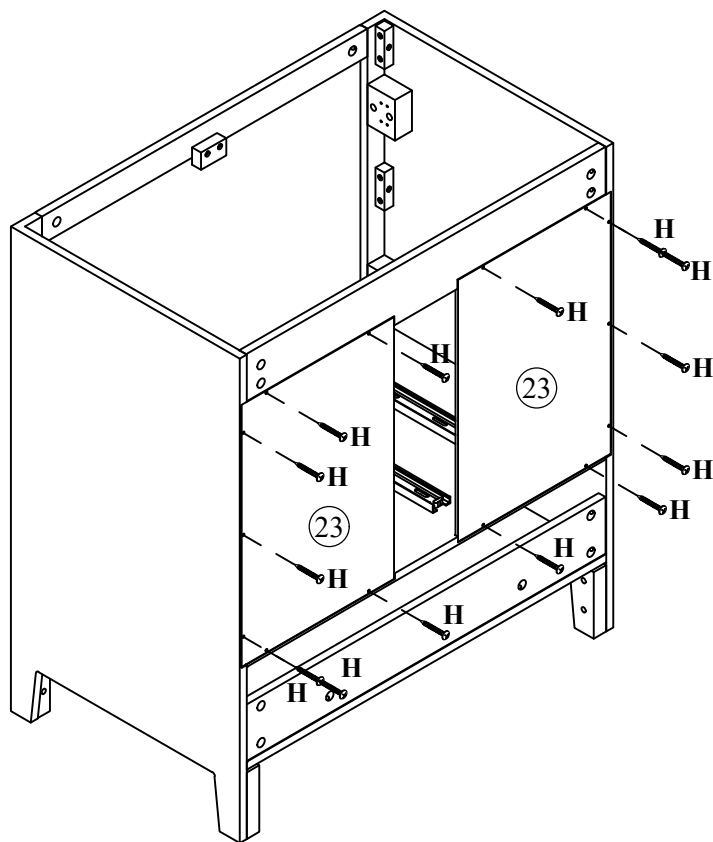
No	Hardware	Q'ty
B	Cam Lock	4
C	Wooden ø8x30mm	3

# Step 5



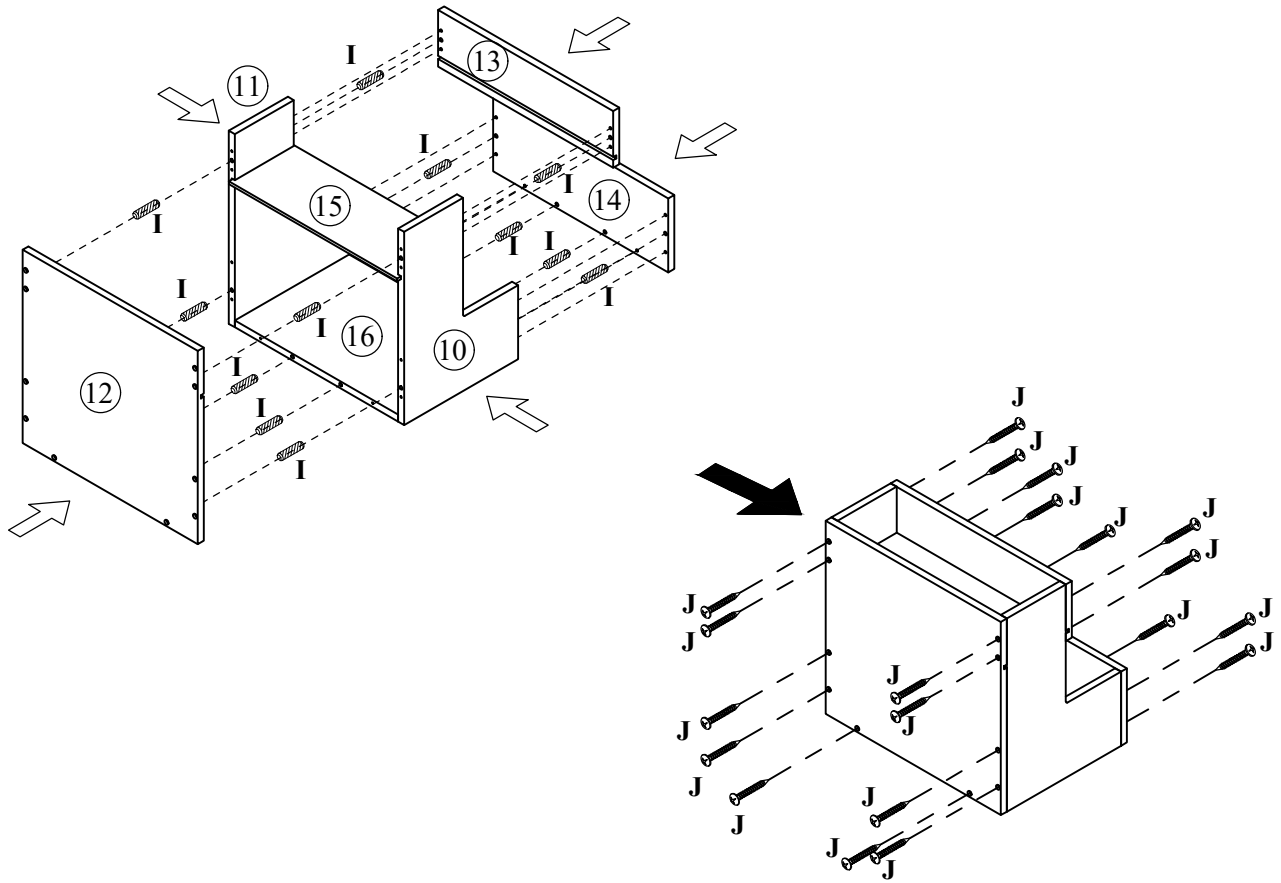
No	Hardware	Q'ty
B	Cam Lock	9
C	Wooden ø8x30mm	8

Step 6



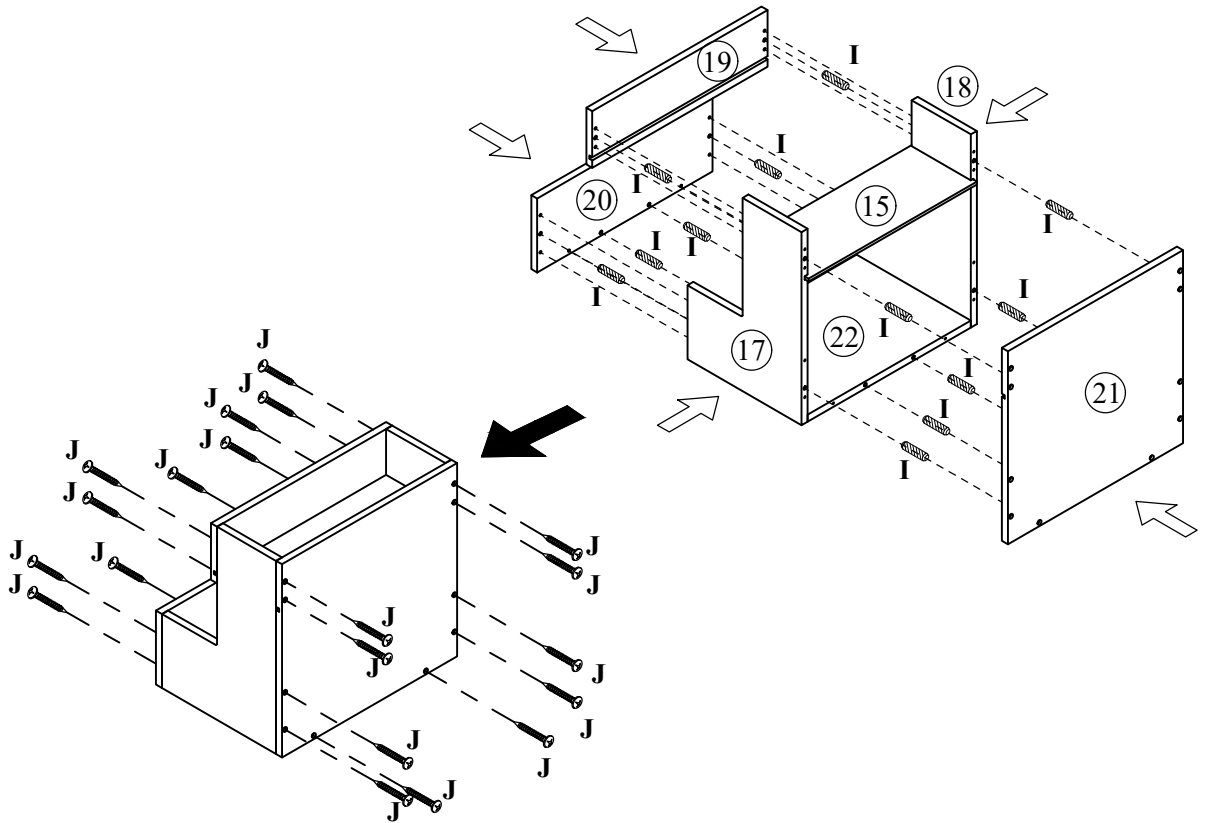
No	Hardware	Q'ty
H	Screws $\varnothing 7 \times \varnothing 3.5 \times 12 \text{mm}$	14

### Step 7



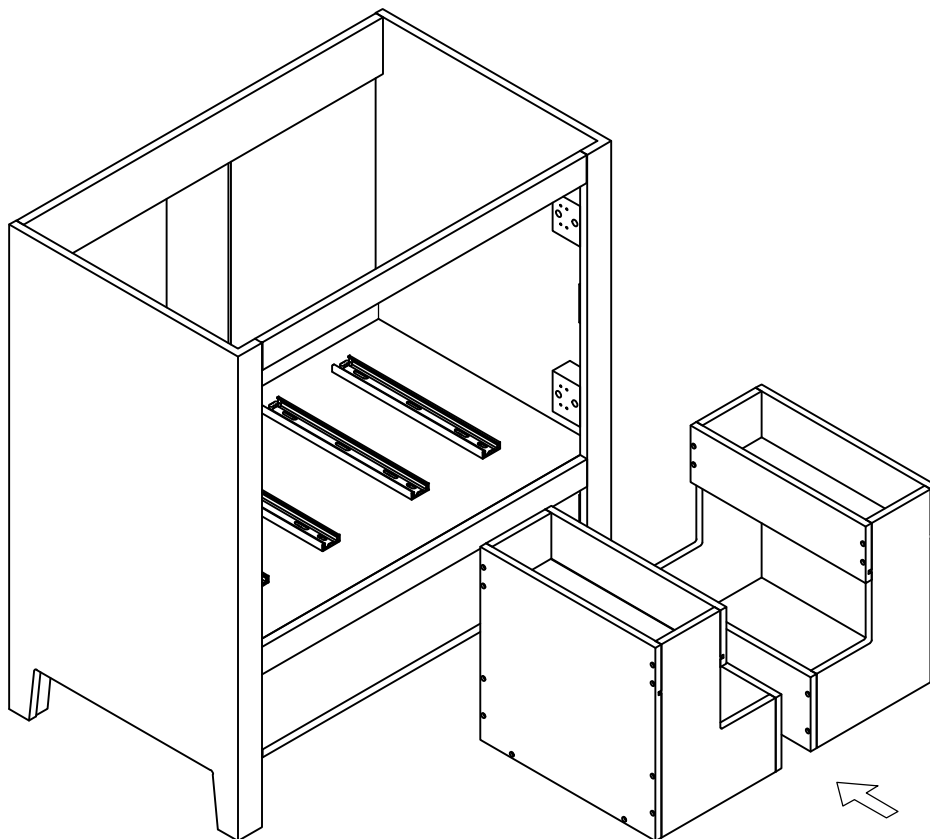
No	Hardware	Q'ty
I	Wooden $\varnothing 6 \times 30 \text{mm}$	12
J	Screws $\varnothing 8 \times \varnothing 4 \times 32 \text{mm}$	20

### Step 8

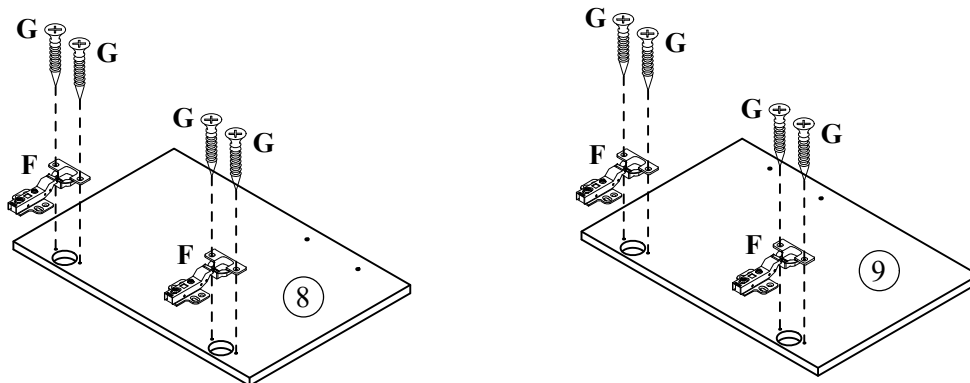


No	Hardware	Q'ty
I	Wooden $\varnothing 6 \times 30 \text{mm}$	12
J	Screws $\varnothing 8 \times \varnothing 4 \times 32 \text{mm}$	20

## Step 9

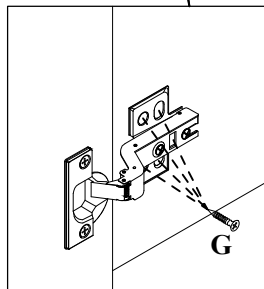
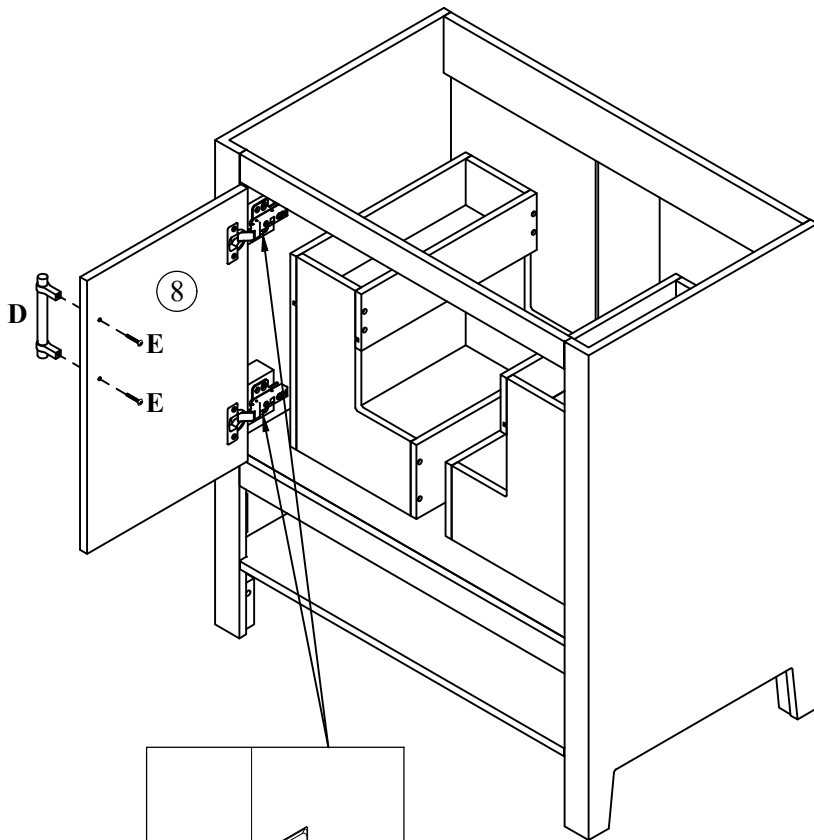


## Step 10

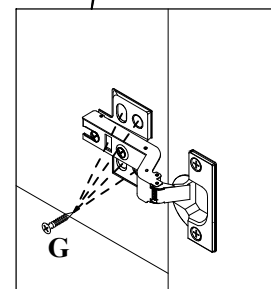
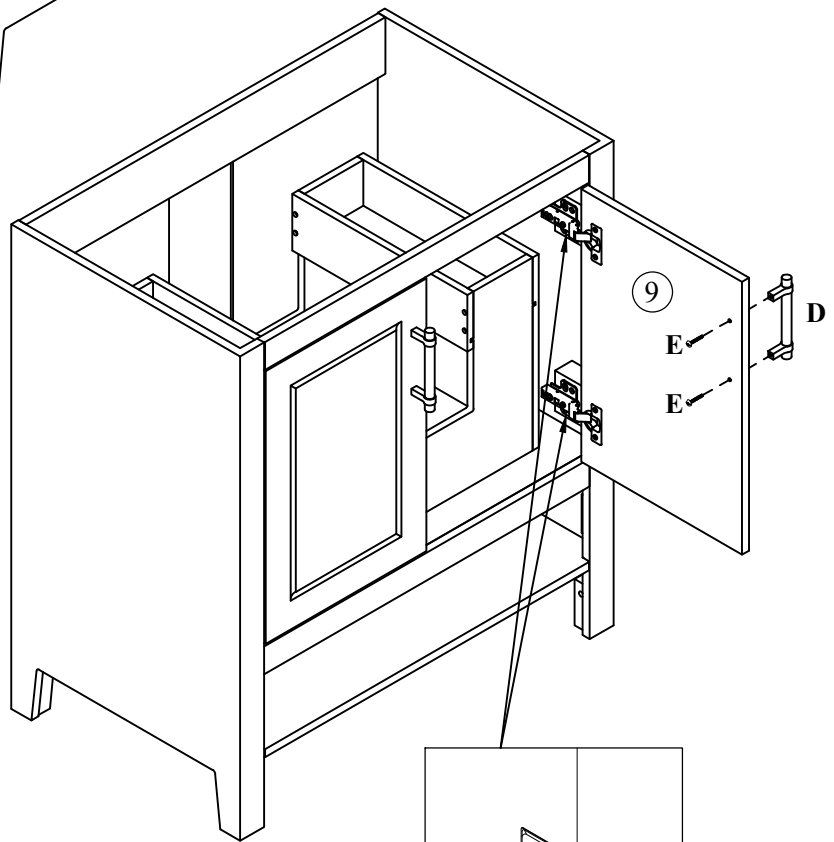


No	Hardware	Q'ty
F	Hinges	4
G	Screws $\varnothing 7 \times \varnothing 3.5 \times 12 \text{mm}$	8

# Step 11

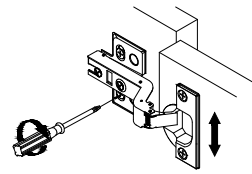


X2

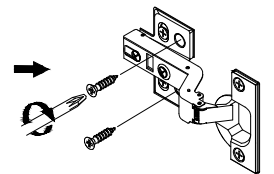


X2

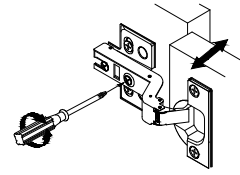
Use the screws to adjust up or down



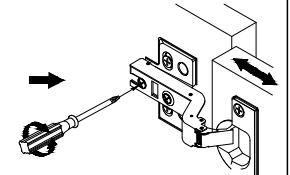
Use the screws to permanent



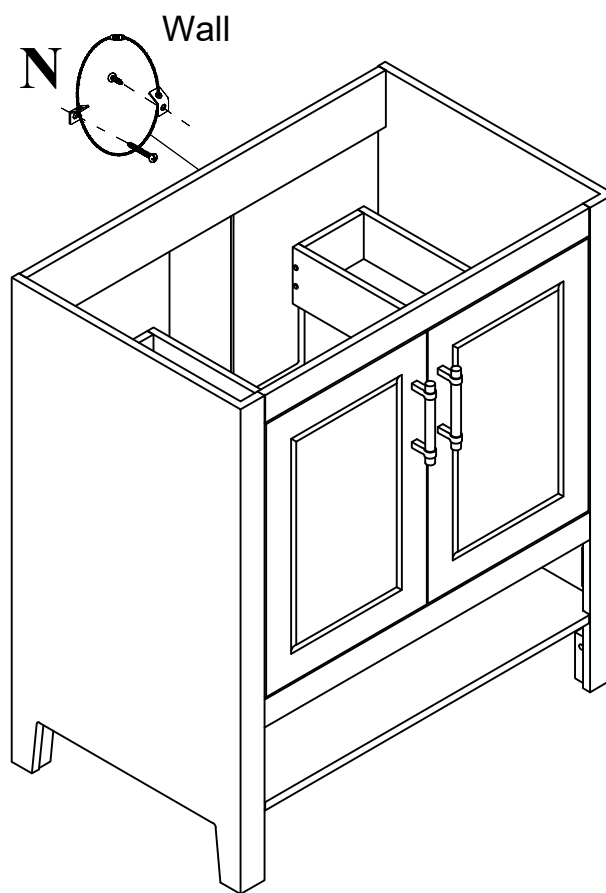
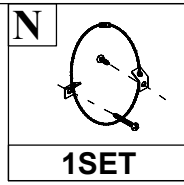
Use the screws to adjust left or right



Use the screws to adjust in or out



No	Hardware	Q'ty
D	Handle	2
E	Screws $\phi 5/32 \times 20\text{mm}$	4
G	Screws $\phi 7 \times \phi 3.5 \times 12\text{mm}$	16



Step 13

