




wayfair ASSEMBLY INSTRUCTION
CHAIR

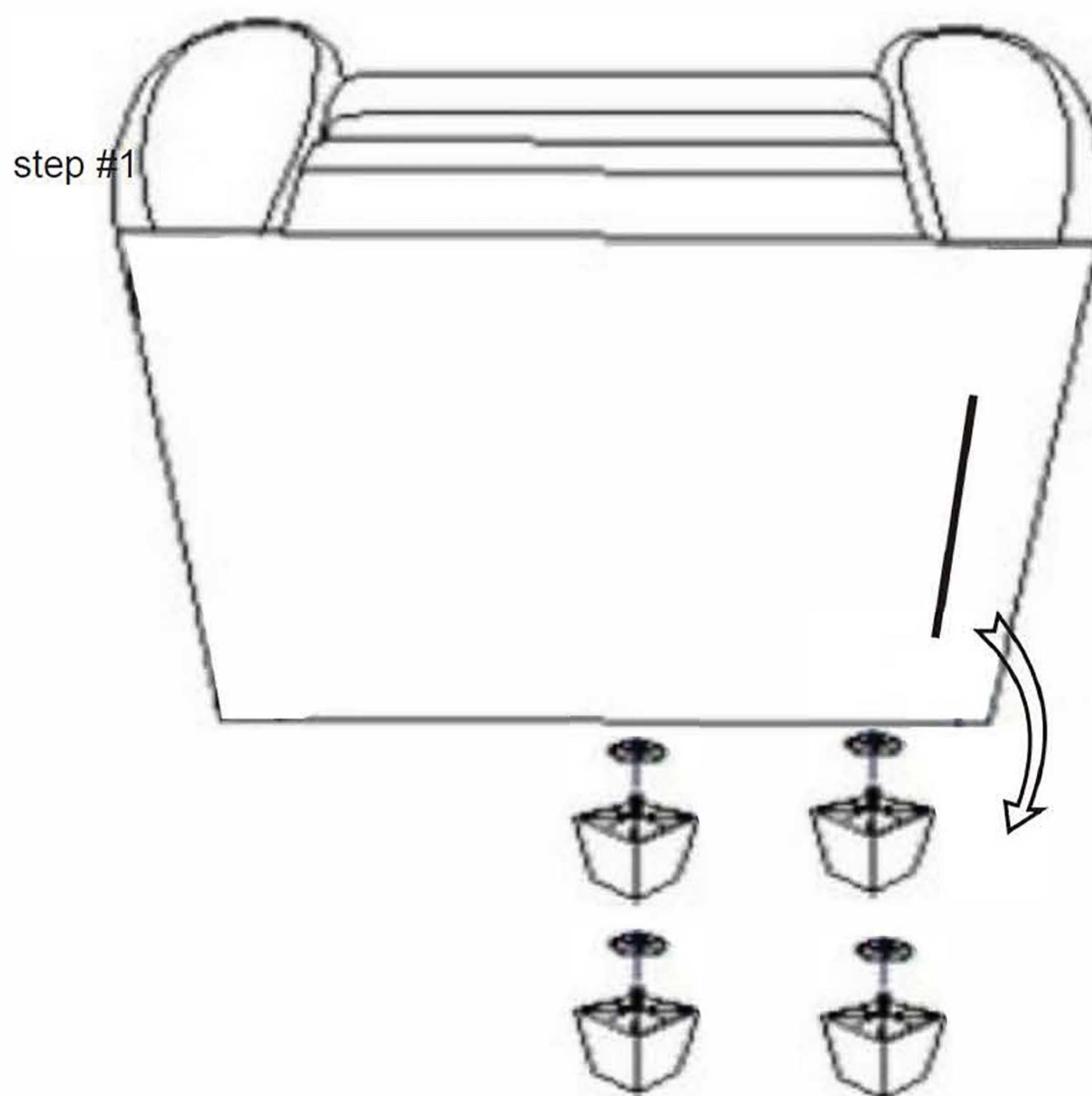


Legs are stored at the bottom of sofa, please take out the legs for assembly

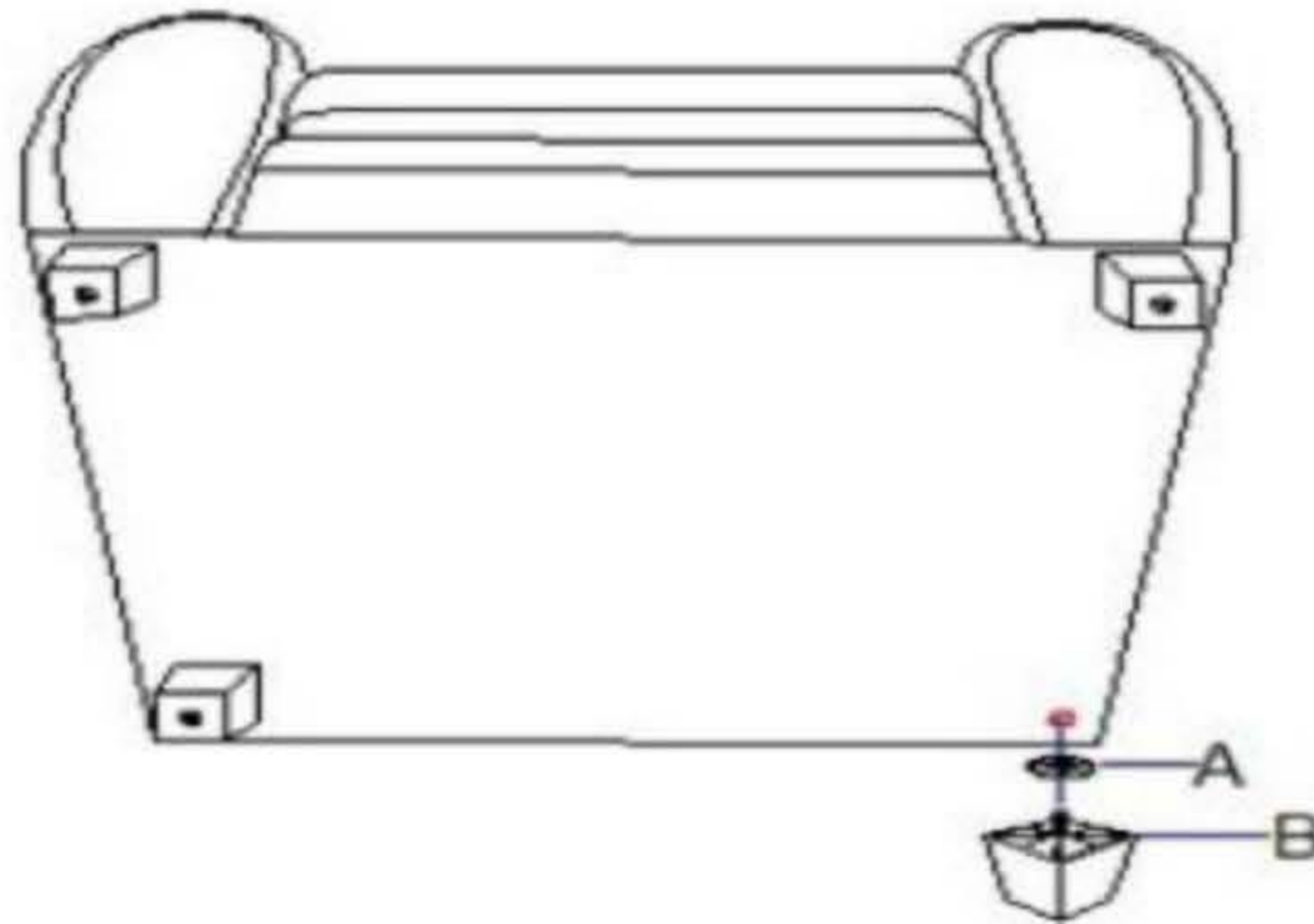
Note: Do not use power tools for assembly. Power tools increase the risk of over tightening which lead to splitting or cracking the wood

Component list

NO	DRAWING	QTY	DESCRIPTION
A		4	Plastic legs 4" * 4-3/4"
B		4	Gaskets 1-7/10"
C		1	Seat



step #2



step #3



Care Instruction for Bonded Leather Match PU Furniture:

In order to maintain the original appearance of your bonded leather match PU furniture, please follow below simple care procedures:

- Avoid exposing furniture directly to sunlight or heating and air conditioning outlets. Sunlight and or exposure to heating and air conditioning outlets will fade/damage Bonded Leather Match PU Furniture.
- Vacuum or wipe with a soft cloth to remove dust.



For items use on wooden floor, hard surfaces or carpets, it is recommended to Install protective pads under all legs and supports to avoid/prevent from damages/scratches and discoloration.




ASSEMBLY INSTRUCTION LOVE SEAT



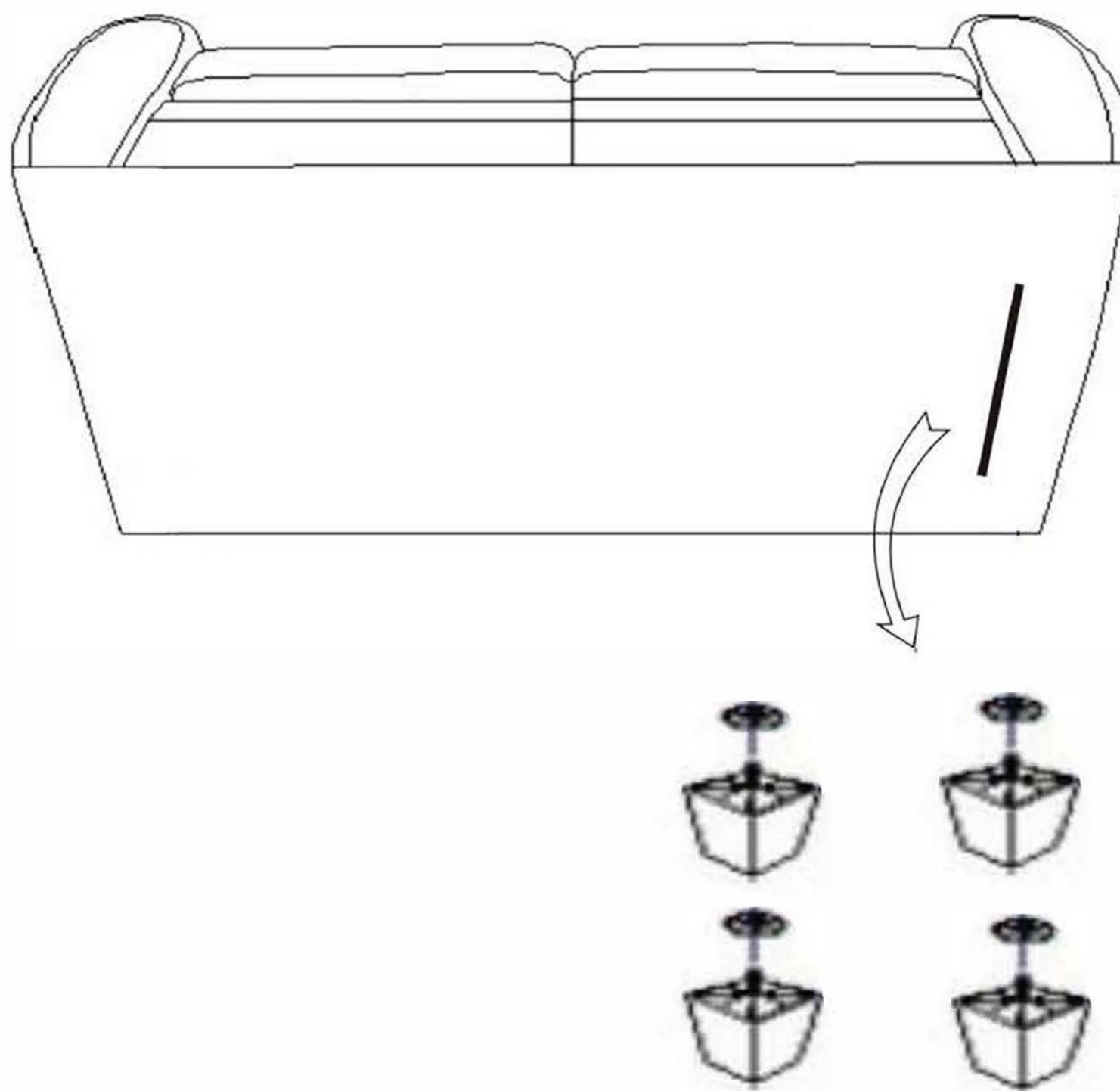
Legs are stored at the bottom of sofa,
please take out the legs for assembly

Note: Do not use power tools for assembly. Power tools increase the risk of over tightening which lead to splitting or cracking the wood

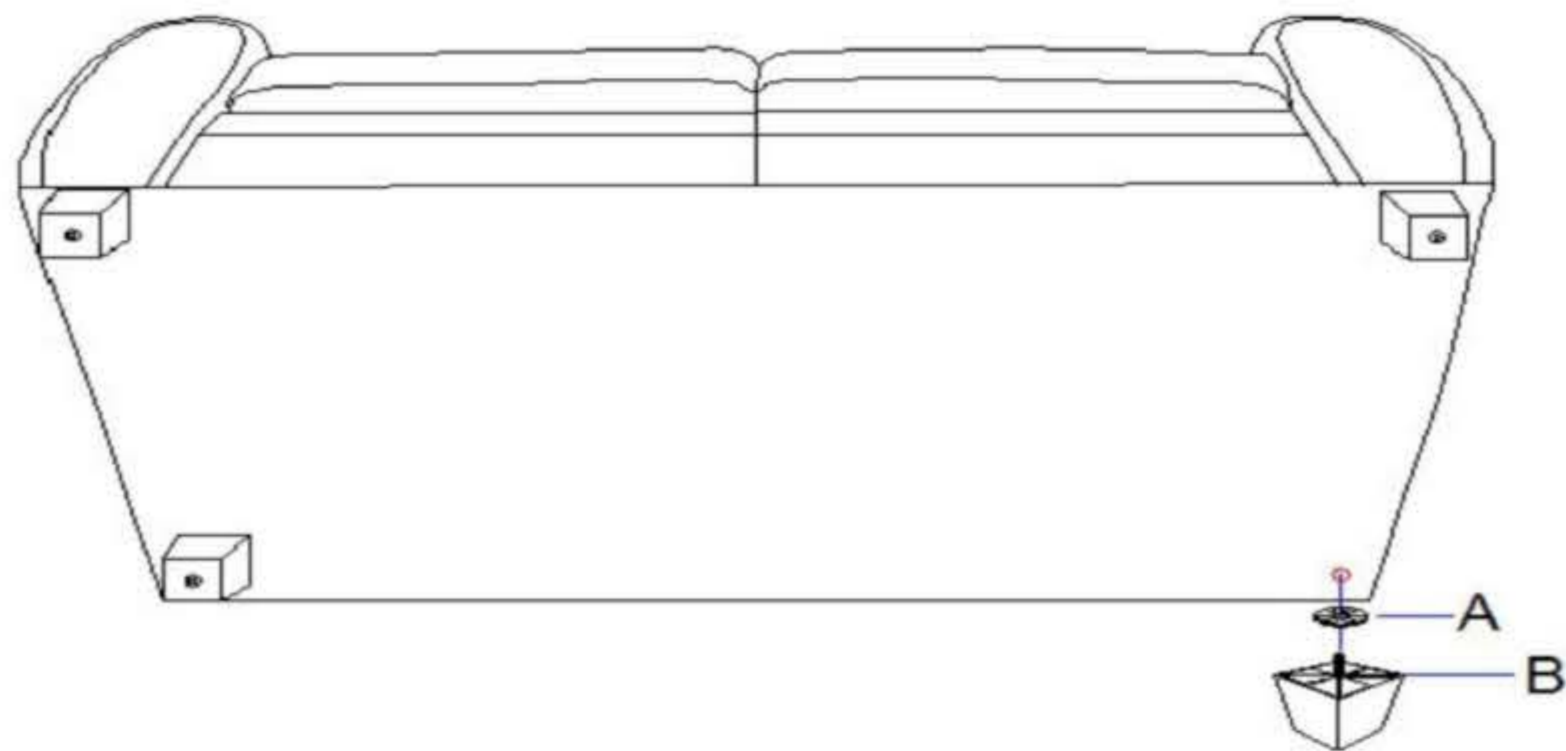
Component list

NO	DRAWING	QTY	DESCRIPTION
A		4	Plastic legs 4" * 4-3/4"
B		4	Gaskets 1-7/10"
C		1	Seat

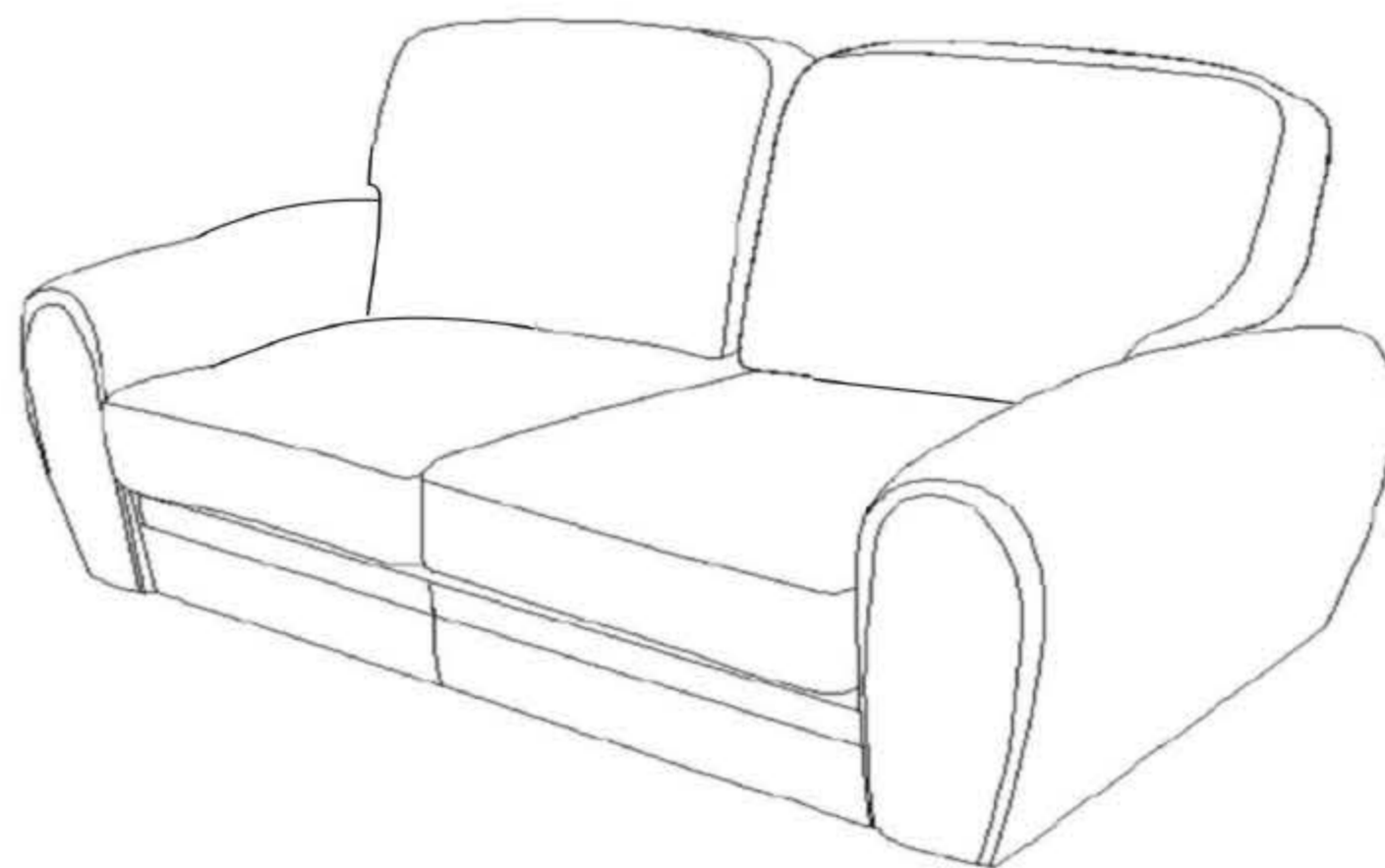
step #1



step #2



step #3



Care Instruction for Bonded Leather Match PU Furniture:

In order to maintain the original appearance of your bonded leather match PU furniture, please follow below simple care procedures:

- Avoid exposing furniture directly to sunlight or heating and air conditioning outlets. Sunlight and or exposure to heating and air conditioning outlets will fade/damage **Bonded Leather Match PU Furniture**.
- Vacuum or wipe with a soft cloth to remove dust.






For items use on wooden floor, hard surfaces or carpets, it is recommended to Install protective pads under all legs and supports to avoid/prevent from damages/scratches and discoloration.


ASSEMBLY INSTRUCTION

Sofa

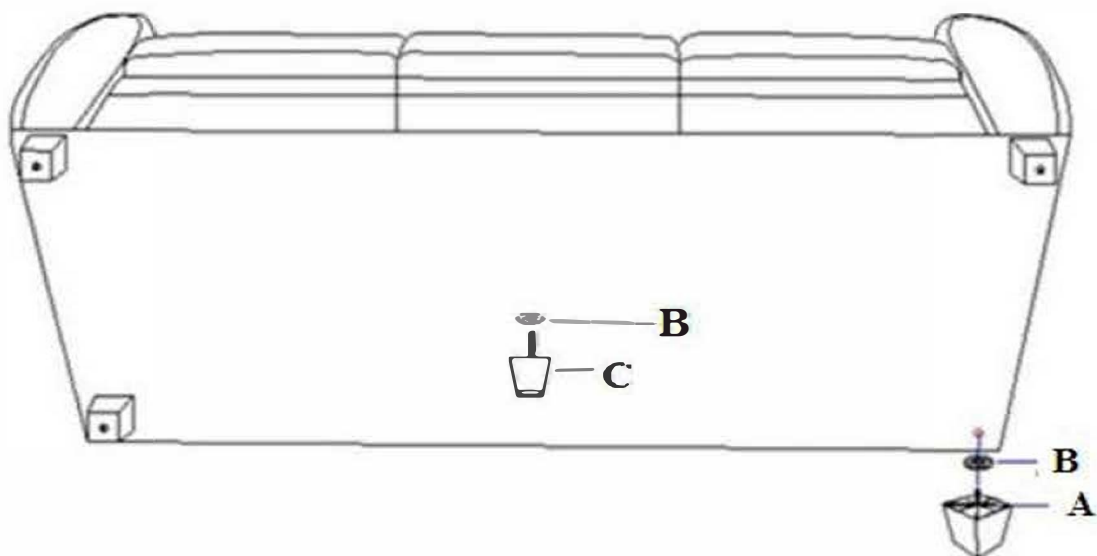
NOTE: Do not use power tools for assembly. Power tools increase the risk of over tightening which leads to splitting or cracking the wood.

COMPONENT LIST (SOFA)

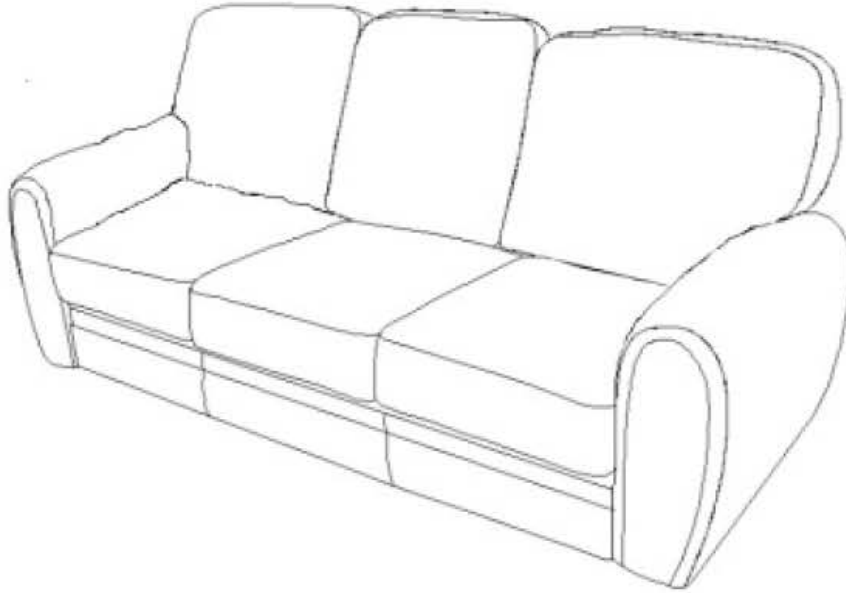
NO	DRAWING	QTY	DESCRIPTION
A		4	Legs
B		5	Gaskets
C		1	Center support Leg

 Legs are stored at the bottom of the unit, please take out the legs for assembly.

Step#1 Insert the plastic gaskets and rotate to tighten 4 legs and center support leg into pre-drill holes.



Step#2 Sofa Assembly is completed.



Standard Care Procedures for Bonded leather Match Furniture.

In order to preserve the original appearance of your bonded leather match furniture, please follow below simple care procedures:

- Avoid exposing furniture directly to sunlight or heating and air conditioning outlets. Sunlight and/or exposure to heating and air conditioning outlets will fade/damage microfiber. Do not place your upholstered close to windows, radiators, or vents, and be sure to use window treatments to block the sun's rays.
- Vacuum or wipe with a cloth regularly to remove dust.
- Clean bonded leather match with professional cleanser.

⚠ For items use on wooden floor, hard surfaces or carpets, it is recommended to Install protective pads under all legs and supports to avoid/prevent from damages/scratches and discoloration.