

STERLING®

A KOHLER COMPANY

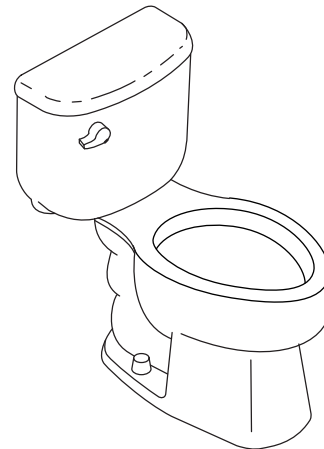
WINDHAM™

LUXURY HEIGHT® LOW CONSUMPTION TOILET 402315

ADA

Features

- Vitreous china
- Elongated bowl
- 5-year limited warranty
- Polished chrome trip lever
- Less seat and supply
- Three-bolt, quick-connect installation system
- 12" (305 mm) rough-in
- 1.6 gpf (6 lpf)
- 2" (51 mm) glazed trapway
- 8" (203 mm) x 9" (229 mm) water area
- 29-1/4" (743 mm) x 16-7/8" (429 mm) x 30-1/2" (775 mm)



Codes/Standards Applicable

Specified model meets or exceeds the following:

- ADA
- ICC/ANSI A117.1
- ASME A112.19.2/CSA B45.1

Colors/Finishes

- 0: White
- Other: Refer to Price Book for additional colors/finishes

Specified Model

Model	Description	Included tank	Included bowl	Colors/Finishes	
402315	Luxury Height low consumption toilet – left-hand lever	404515	403315	<input type="checkbox"/> 0	<input type="checkbox"/> Other_____
402315-RA	Luxury Height low consumption toilet – right-hand lever	404515-RA	403315	<input type="checkbox"/> 0	<input type="checkbox"/> Other_____

Recommended Accessories

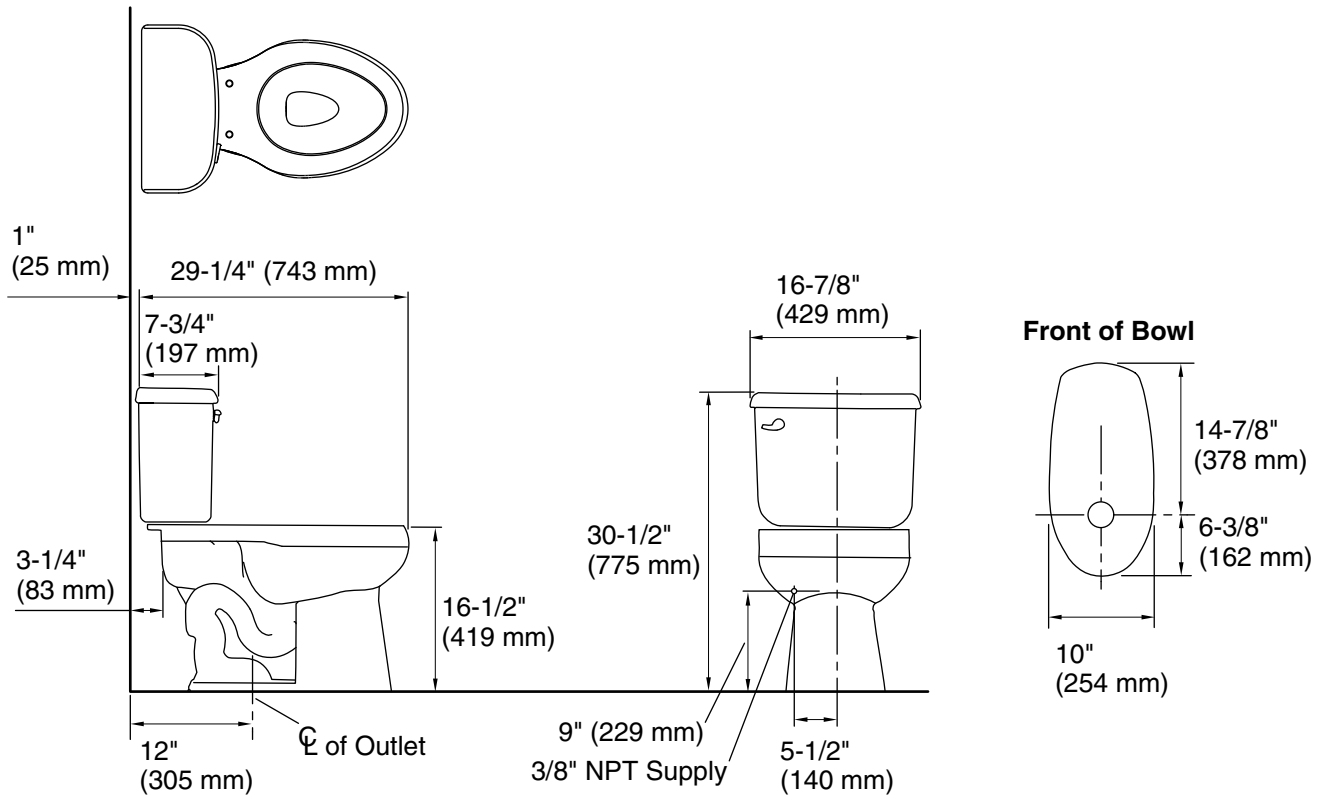
Model	Description		
K-4650	Lustra™ elongated open-front toilet seat – for Accessibility compliance	<input type="checkbox"/> 0	<input type="checkbox"/> Other_____
K-4650-A	Lustra™ elongated open-front toilet seat with anti-microbial agent – for Accessibility compliance	<input type="checkbox"/> 0	<input type="checkbox"/> Other_____

Product Information

Fixture:	
Configuration	two-piece, elongated
Water per full flush	1.6 gallons (6 L)
Passageway	2" (51 mm)
Water area	8" (203 mm) x 9" (229 mm)
Seat post hole centers	5-1/2" (140 mm)
Included components:	
Bowl	403315
Tank	404515
Tank cover	84537
Trip lever – left-hand OR	84625
Trip lever – right-hand	85132
Bolt cap accessory pack	1013092

Installation Notes

Will comply with the American Disabilities Act (**ADA**) when installed per the requirements of the Accessibility Guidelines, Section 604 Water Closets, of the Act. The Model Plumbing Codes require the installation of elongated open-front toilet seats in public bathrooms.



Product Diagram