

# ASSEMBLY INSTRUCTION

## DESCRIPTION: Bench

Thank you for purchasing this quality product. Be sure to check all packing materials carefully for small parts which may have come loose inside the carton during shipment. Identify and count all parts and compare with the parts List Below.

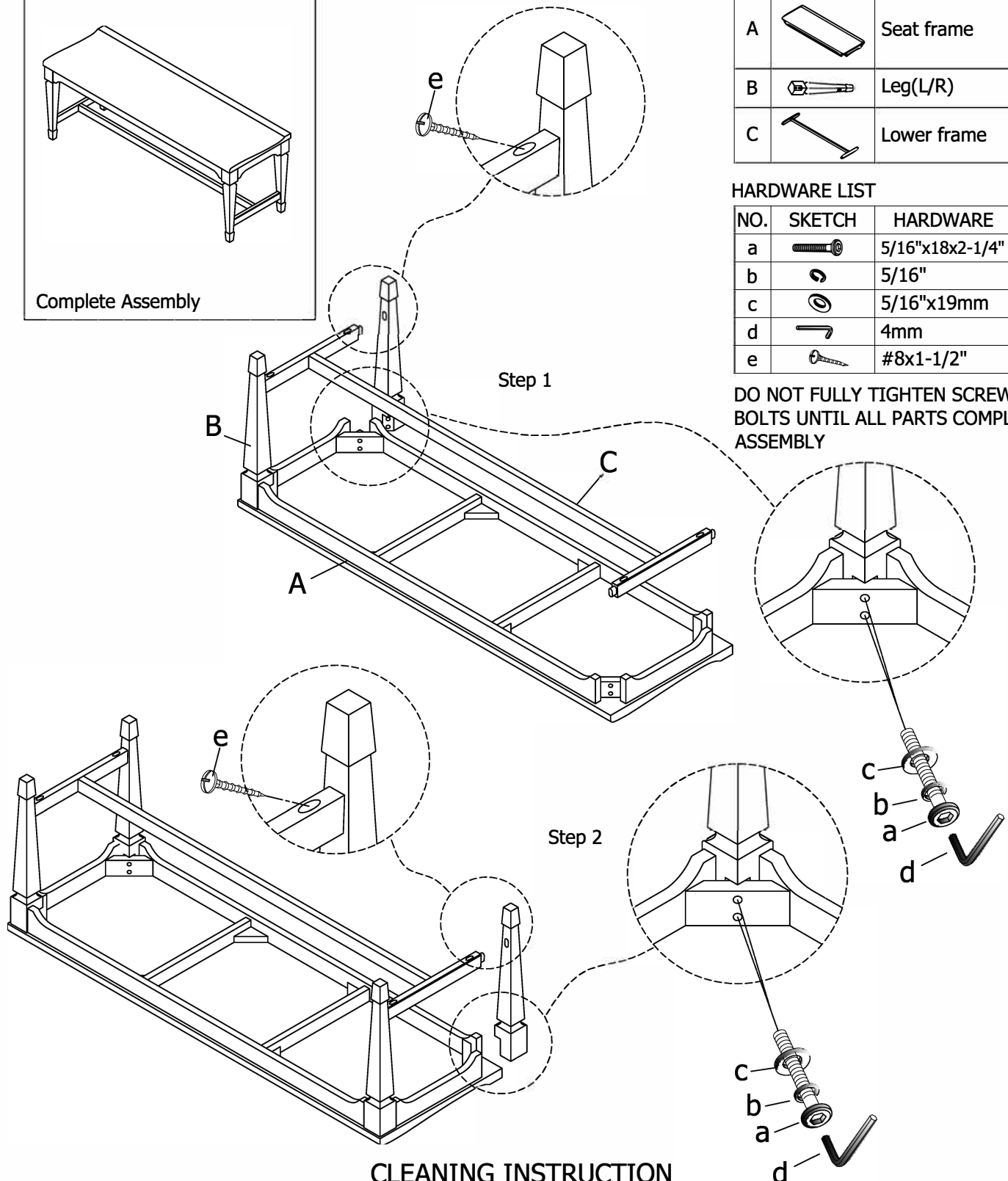
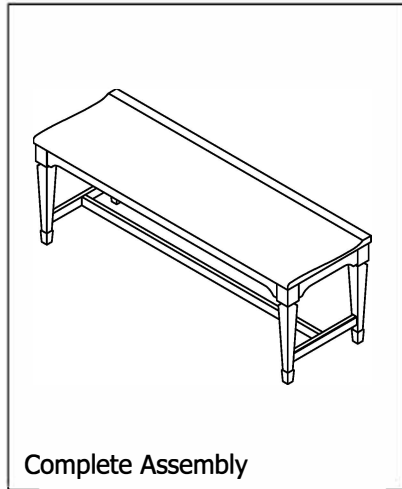
### PARTS LIST

NO.	SKETCH	DESCRIPTION	Q'TY
A		Seat frame	1pc
B		Leg(L/R)	4pcs
C		Lower frame	1pc

### HARDWARE LIST

NO.	SKETCH	HARDWARE	Q'TY
a		5/16"x18x2-1/4"	8pcs
b		5/16"	8pcs
c		5/16"x19mm	8pcs
d		4mm	1pc
e		#8x1-1/2"	4pcs

DO NOT FULLY TIGHTEN SCREW,  
BOLTS UNTIL ALL PARTS COMPLETE  
ASSEMBLY



### CLEANING INSTRUCTION

Clean the Bench surface with a furniture polish and a soft cloth