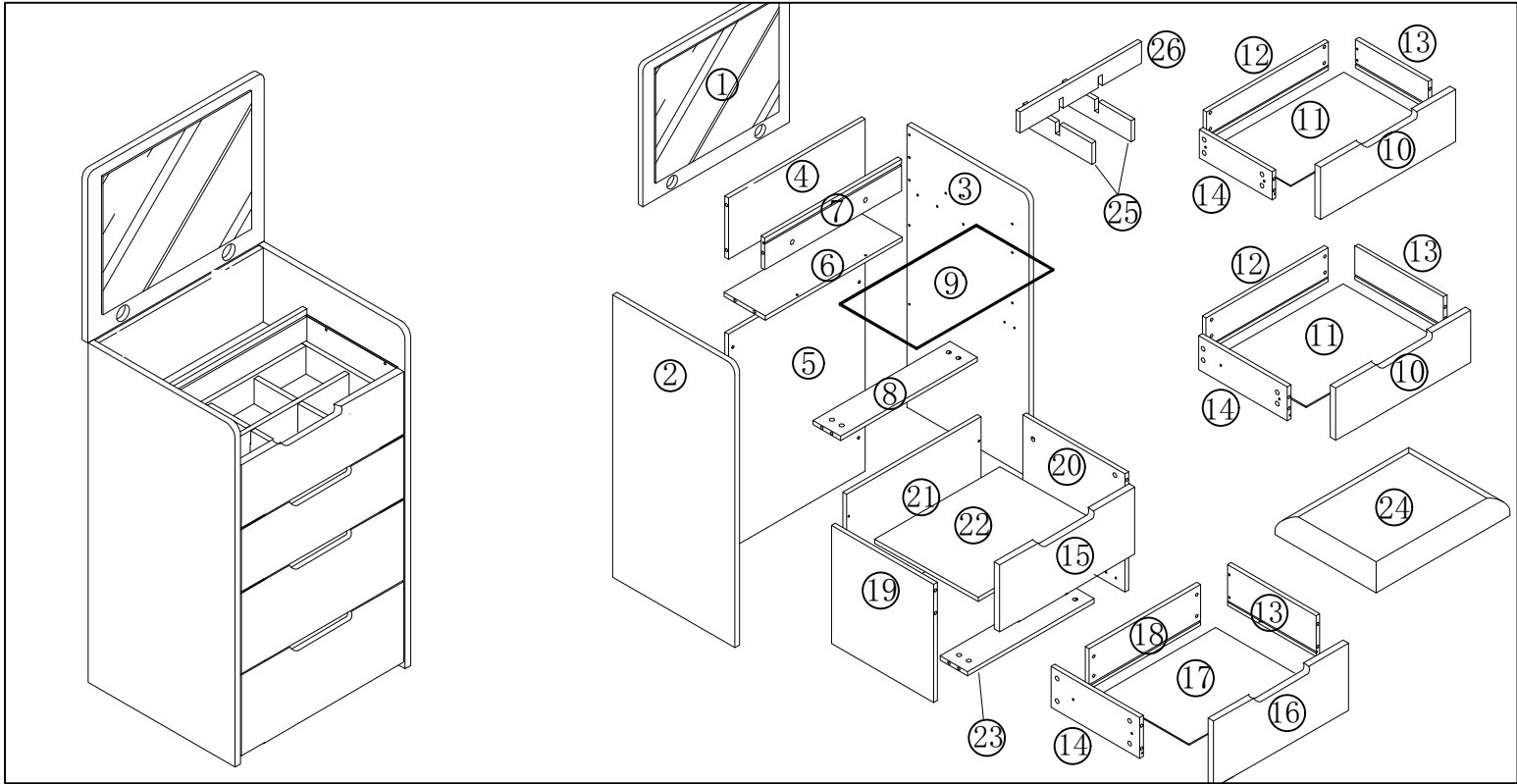


# ASSEMBLY INSTRUCTION



- ① Panel 1PC
- ② Left side panel 1PC
- ③ Right side panel 1PC
- ④ Upper back panel 1PC
- ⑤ Upper back panel 1PC
- ⑥ layer board 1PC
- ⑦ Board 1PC
- ⑧ Brace 1PC
- ⑨ Layer glass 1PC
- ⑩ Upper drawer front panel 2PCS
- ⑪ Upper drawer bottom panel 2PCS
- ⑫ Upper drawer back panel 2PCS
- ⑬ Right drawer side panel 3PCS
- ⑭ Left drawer side panel 3PCS
- ⑮ False drawer front panel 1PC
- ⑯ Dressing stool drawer front panel 1PC
- ⑰ Dressing stool drawer bottom panel 1PC
- ⑱ Dressing stool left side panel 1PC
- ⑲ Dressing stool right side panel 1PC
- ⑳ Dressing stool back panel 1PC
- ㉑ Dressing stool layer board 1PC
- ㉒ Dressing stool brace 1PC
- ㉓ Dressing stool seat board 1PC
- ㉔ Drawer grid vertical strip 2PCS
- ㉕ Drawer grid horizontal strip 1PC

	A	B	C	D	E	F	I	J
Name	three-in-one connector	two-in-one connector	Hinge	Slide Rail	Shelf support	Screw	Hinge	Furniture feet
Shape								

### Instructions for Using the Three-in-One Connector

- The hole on the side panel has a diameter of 5mm; screw the screw rod directly into this hole.
- Insert the other end of the screw rod into the side hole of another connecting board, and press the eccentric lock washer into the hole with a diameter of 12mm. Note that the cross arrow should align with the side hole.
- Tighten the eccentric lock washer clockwise with a Phillips screwdriver.

Labels: hole  $\phi 5$  diameter, screw rod, eccentric lock washer

### Instructions for Using the Two-in-One Connector

Labels: Bolt,  $\phi 5 \times 45$  Screw

### Instructions for Using the Slide Rail

This part is installed on the side panel of the cabinet.

2. Pull in the direction of the positioning head to disassemble this part.

When installing this part, these two holes correspond to the guide holes on the side panel.

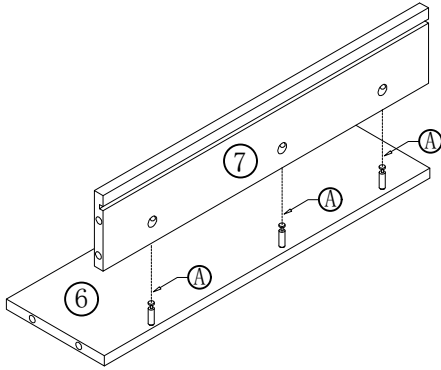
1. stretch the slide rail open, and you can see this plastic elastic clip (usually black).

This end is close to the drawer front panel.

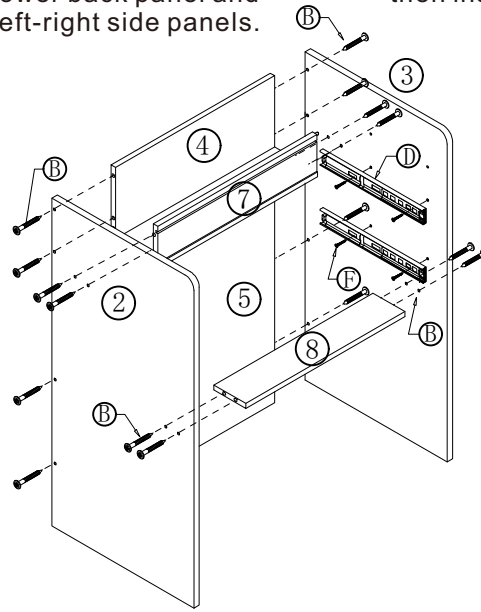
this disassembled part is installed on the side panel of the drawer.

# Installation Steps

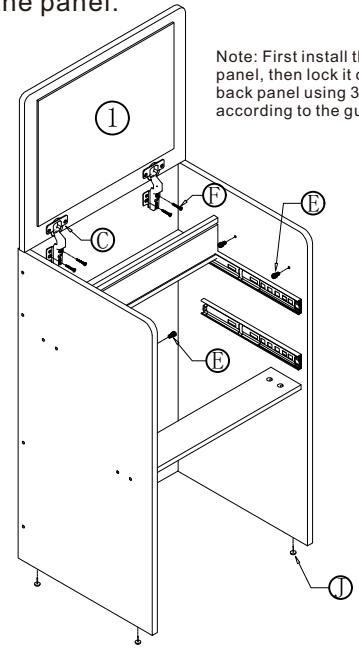
**Step 1: Connect the partition board, upper back panel and layer board using the three-in-one connector.**



**Step 2: Install the brace, lower back panel and left-right side panels.**



**Step 3: First install the furniture feet, then install the panel.**

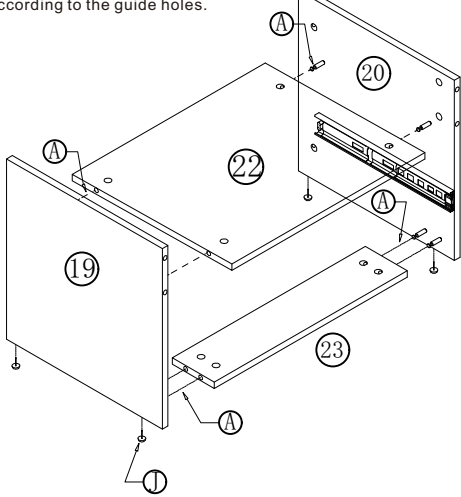


Note: First install the hinge on the panel, then lock it onto the upper back panel using 3.5\*14 screws according to the guide holes.

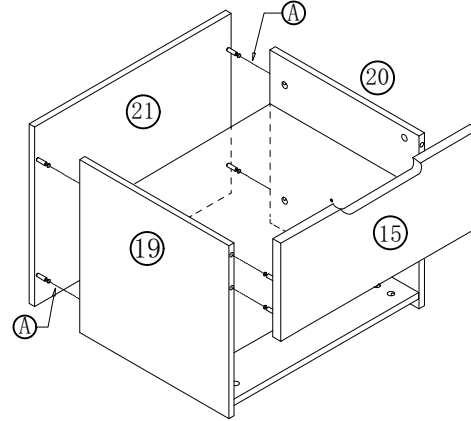
Note: Install the slide rail on the side panel in advance using 3.5\*12 screws according to the guide holes.

**Step 4: Assemble the side panels and brace of the dressing stool using the three-in-one connector as shown in the figure.**

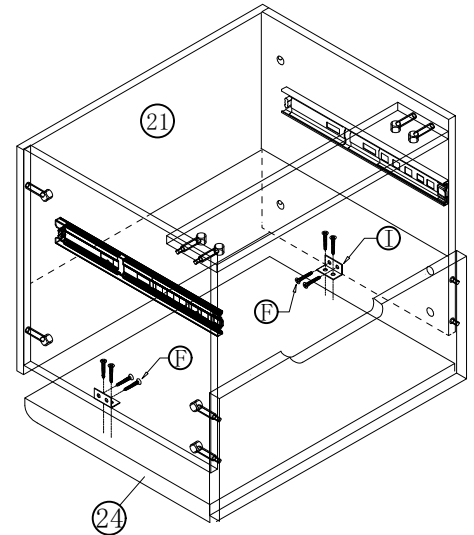
Note: First install the furniture feet on the side panels of the dressing stool, and install the slide rail using 3.5\*12 screws according to the guide holes.



**Step 5: Install the back panel and false drawer front panel of the dressing stool.**

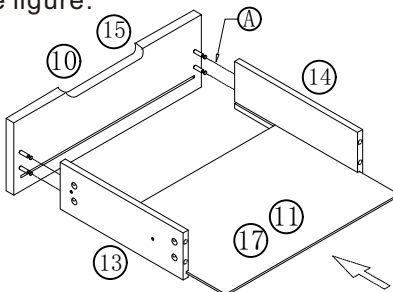


**Step 6: Install the seat cushion.**

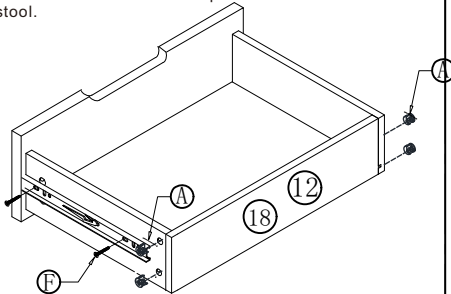


Note: Place the seat cushion in the appropriate position, turn the dressing stool upside down, and fix it to the side panel position using screws and small angle brackets.

**Step 7: Assemble the drawer as shown in the figure.**



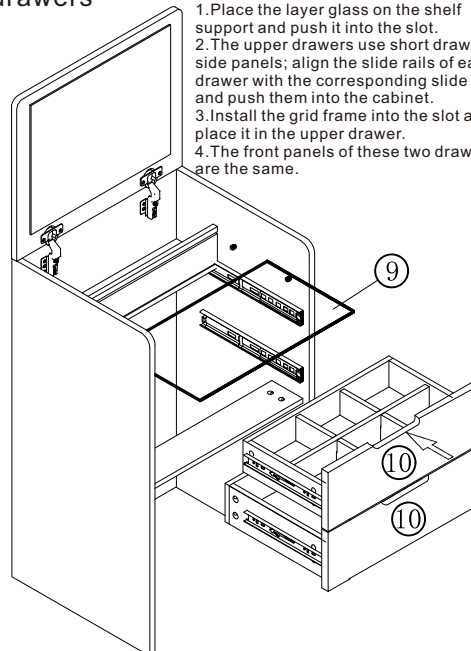
Note: The drawer with the wider front panel is the drawer of the dressing stool.



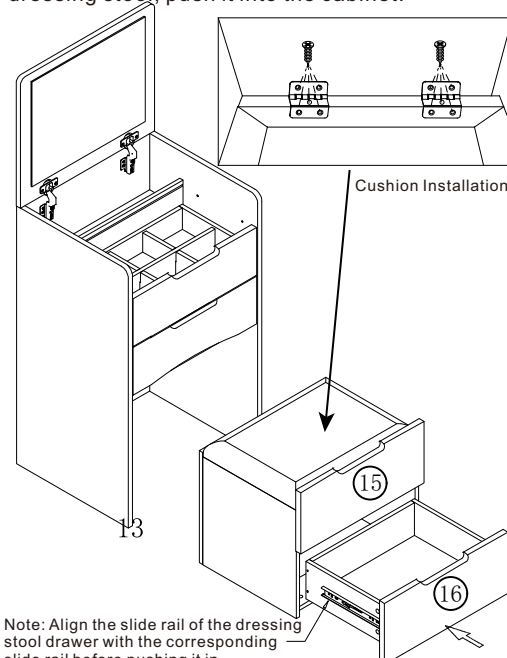
**Step 8: Install the layer glass and drawers**

Notes:

1. Place the layer glass on the shelf support and push it into the slot.
2. The upper drawers use short drawer side panels; align the slide rails of each drawer with the corresponding slide rails and push them into the cabinet.
3. Install the grid frame into the slot and place it in the upper drawer.
4. The front panels of these two drawers are the same.



**Step 9: After installing the drawer of the dressing stool, push it into the cabinet.**



Note: Align the slide rail of the dressing stool drawer with the corresponding slide rail before pushing it in.